



US00D614624S

(12) **United States Design Patent**
Zhang

(10) **Patent No.:** **US D614,624 S**

(45) **Date of Patent:** **** Apr. 27, 2010**

(54) **ELECTRONIC GAME CONTROLLER GUN SHELL**

6,902,483 B2 * 6/2005 Lin 463/37
D521,568 S * 5/2006 Hussaini et al. D21/333
D524,871 S * 7/2006 Nunokawa D21/333
D541,806 S * 5/2007 Wada D14/418

(76) Inventor: **Lei Zhang**, Room 2-13A, Lixiangju Building, Baocheng 48, Baoan District, Shenzhen, Guangdong (CN)

* cited by examiner

(**) Term: **14 Years**

Primary Examiner—Prabhakar Deshmukh
(74) *Attorney, Agent, or Firm*—Jackson IPG PLLC

(21) Appl. No.: **29/327,066**

(57) **CLAIM**

(22) Filed: **Oct. 30, 2008**

The ornamental design for an electronic game controller gun shell, as shown and described.

(51) **LOC (9) Cl.** **14-02**

(52) **U.S. Cl.** **D14/418; D21/333**

(58) **Field of Classification Search** D14/399–402, D14/418, 496; D21/324, 328, 333, 573, D21/575; 273/148 B, 440, 459, 460; 463/1, 463/30–36, 46, 47; 345/156, 161; 434/16, 434/18, 19, 20, 24

See application file for complete search history.

DESCRIPTION

FIG. 1 is a perspective view of an electronic game controller gun shell showing my new design;

FIG. 2 is a top plan view thereof;

FIG. 3 is a perspective view thereof, with the controller shown in an environmental use;

FIG. 4 is a left side elevational view of FIG. 3;

FIG. 5 is a front elevational view of FIG. 3;

FIG. 6 is a right side elevational view of FIG. 3;

FIG. 7 is a rear elevational view;

FIG. 8 is a top plan view of FIG. 3; and,

FIG. 9 is a bottom plan view thereof.

The broken lines showing the environmental is for illustrative purpose only and forms no part of the claimed design.

(56) **References Cited**

U.S. PATENT DOCUMENTS

3,655,192 A * 4/1972 Hall et al. 463/51
4,175,747 A * 11/1979 Hudson 463/49
5,569,085 A * 10/1996 Igarashi et al. 463/49
D398,661 S * 9/1998 Lee D21/333
D433,074 S * 10/2000 Clemmer D21/324
D434,086 S * 11/2000 Ford D21/328
D436,108 S * 1/2001 Lee D14/418
D451,557 S * 12/2001 Yu D21/328
D467,926 S * 12/2002 Lin D14/418

1 Claim, 6 Drawing Sheets

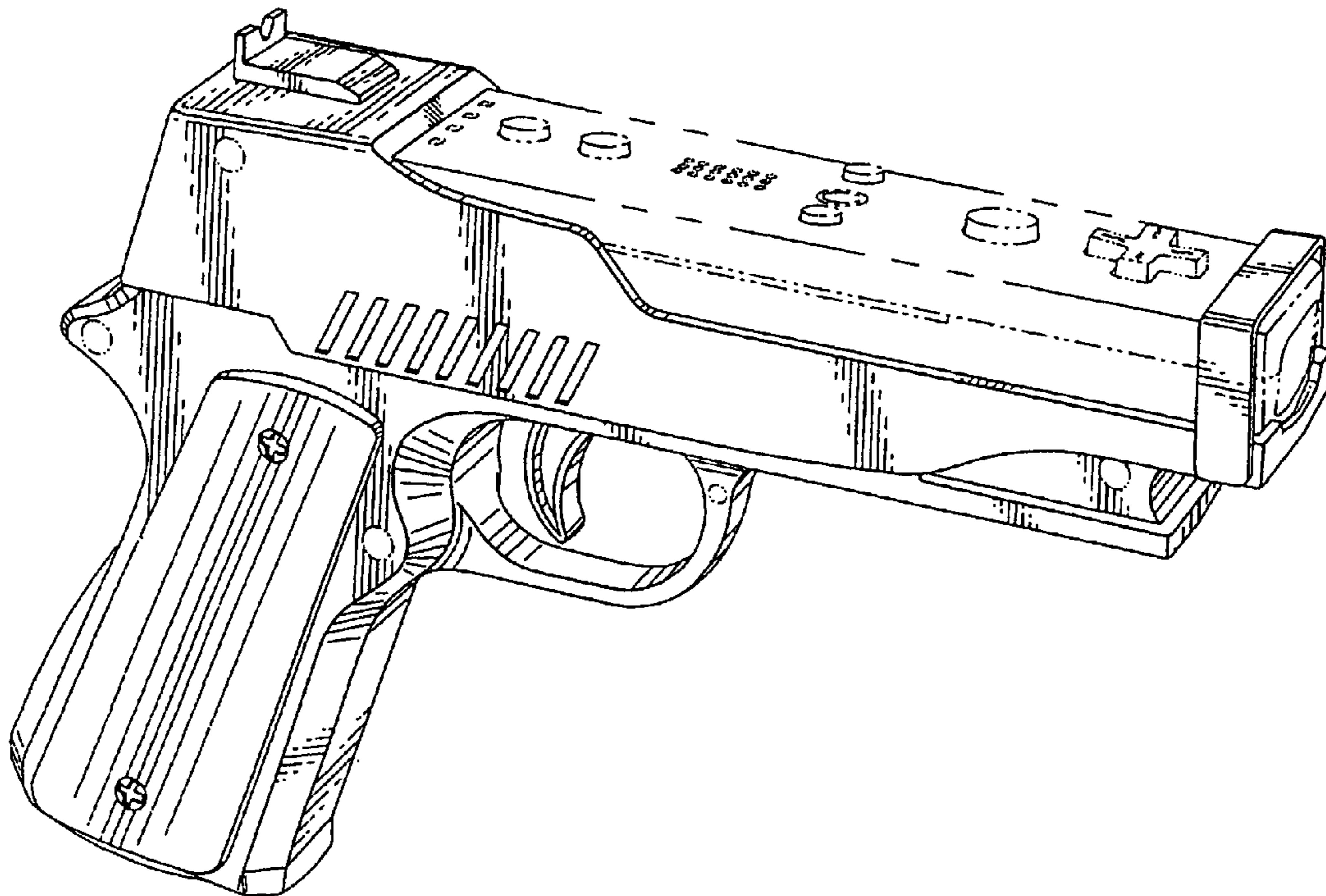


FIG. 1

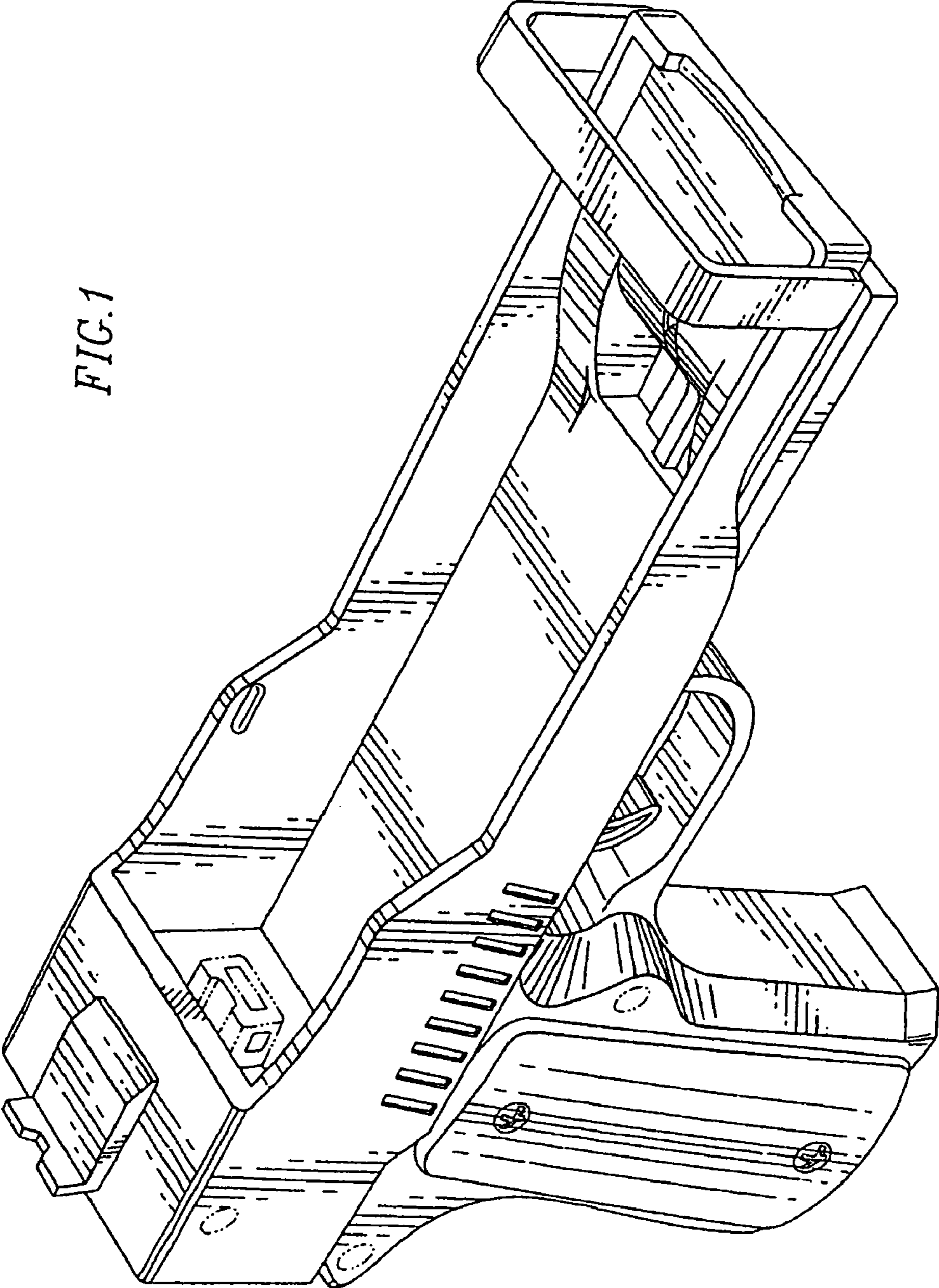


FIG. 2

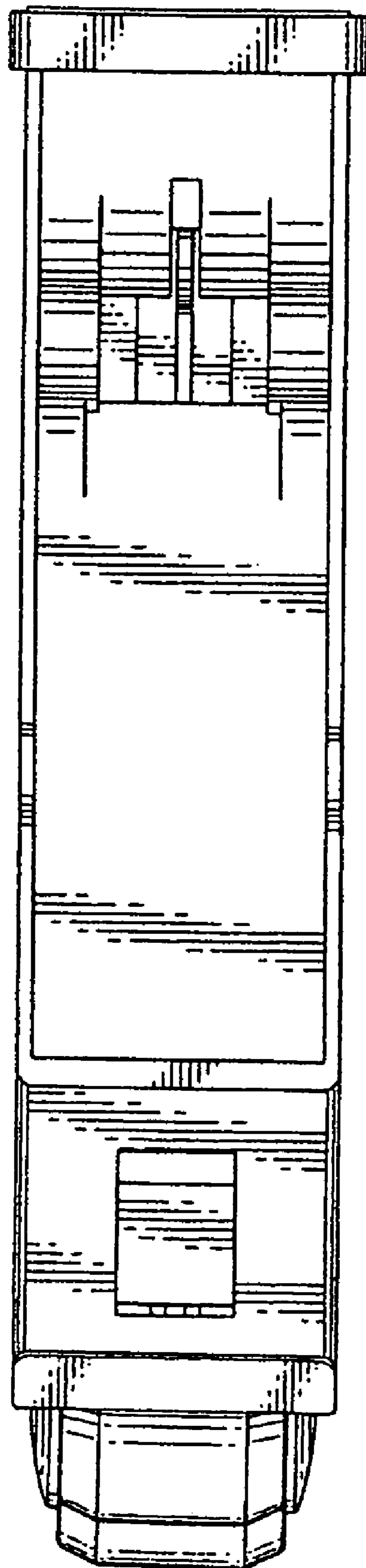


FIG. 3

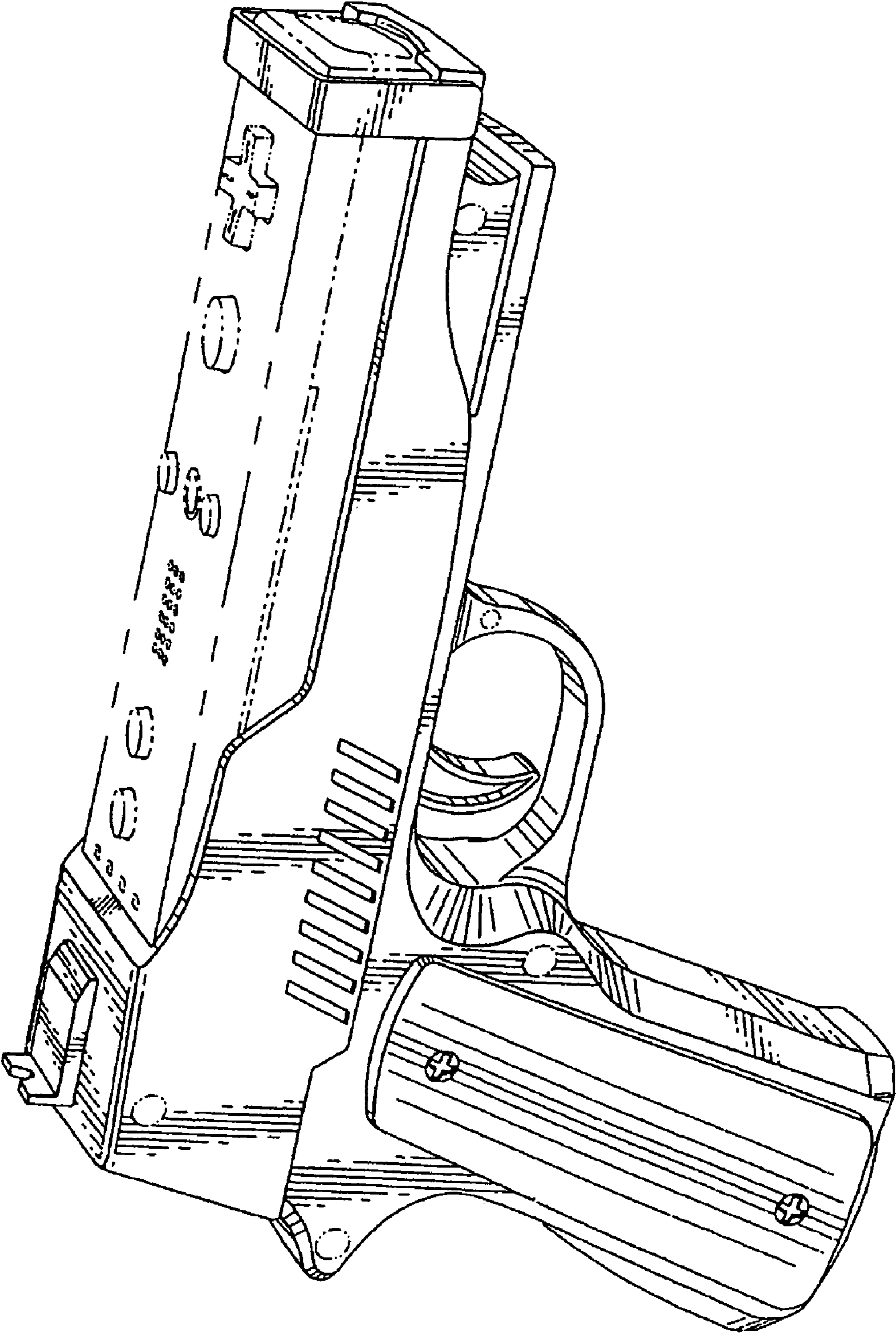


FIG. 5

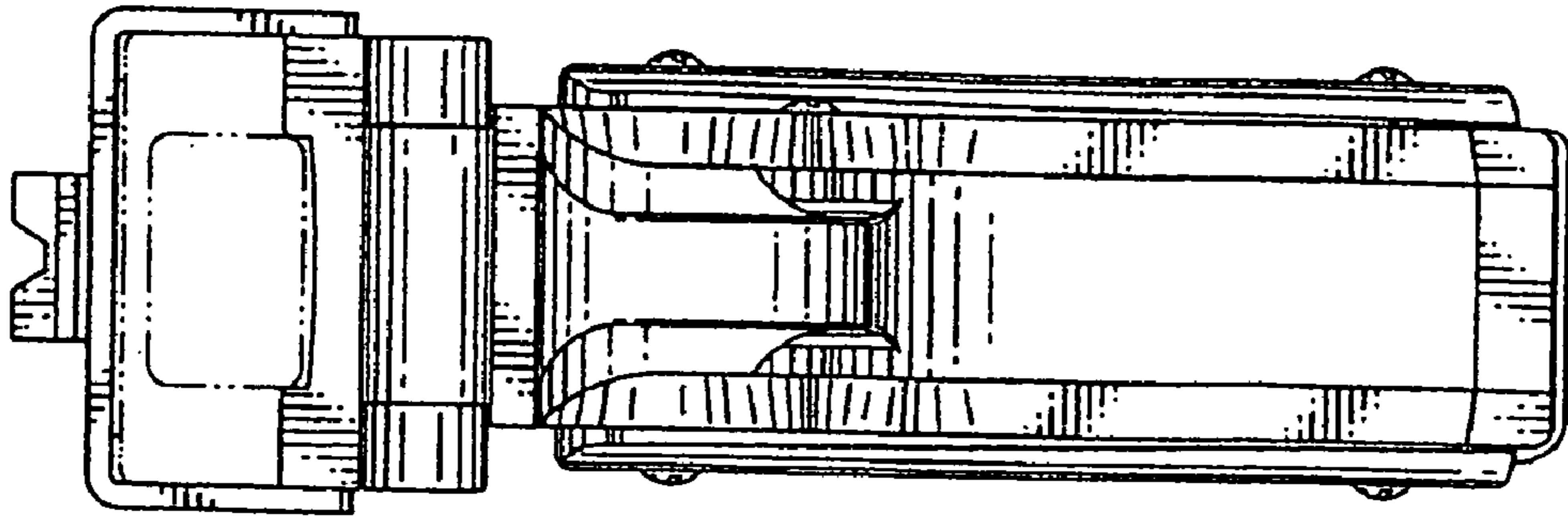


FIG. 4

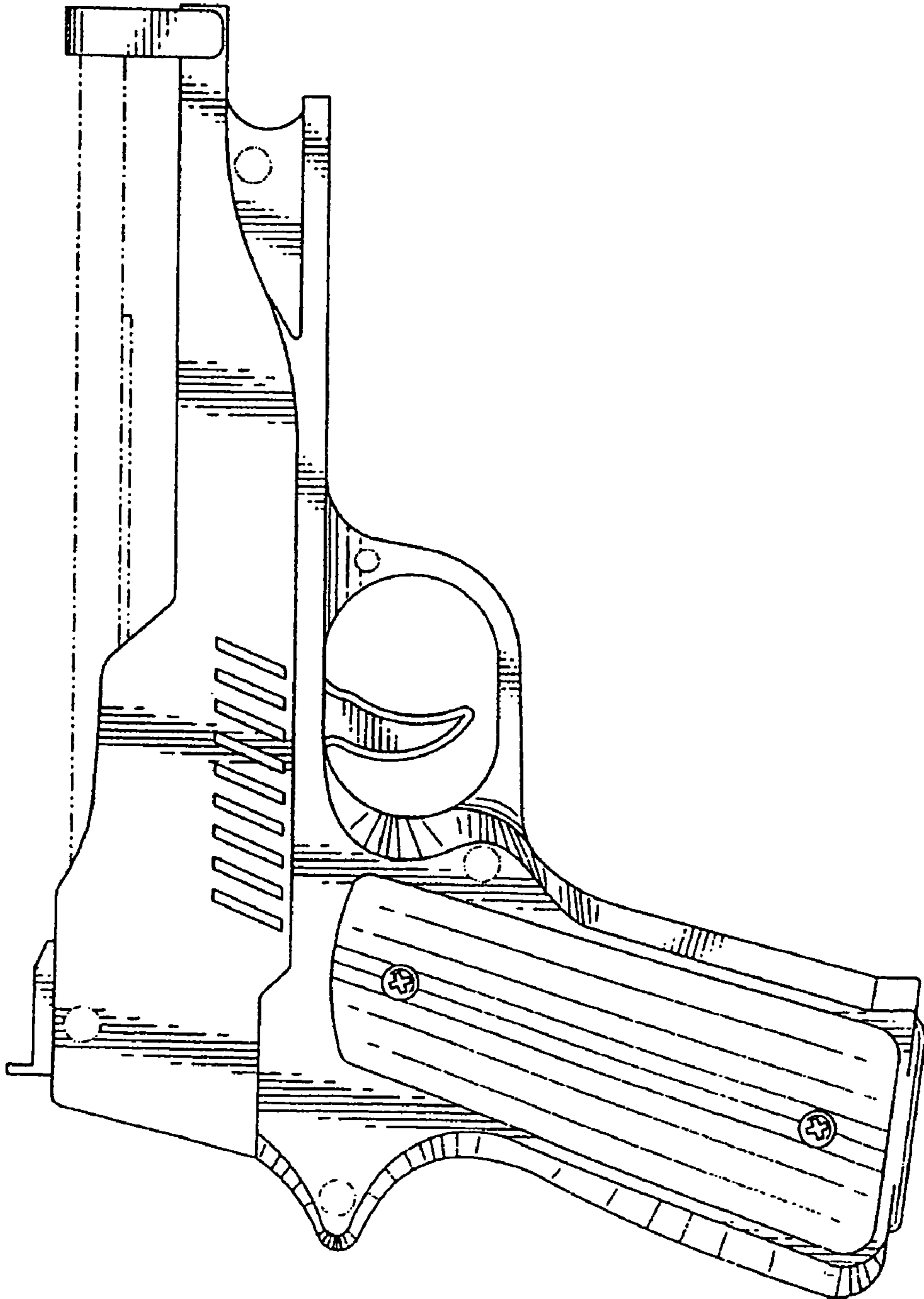


FIG. 7

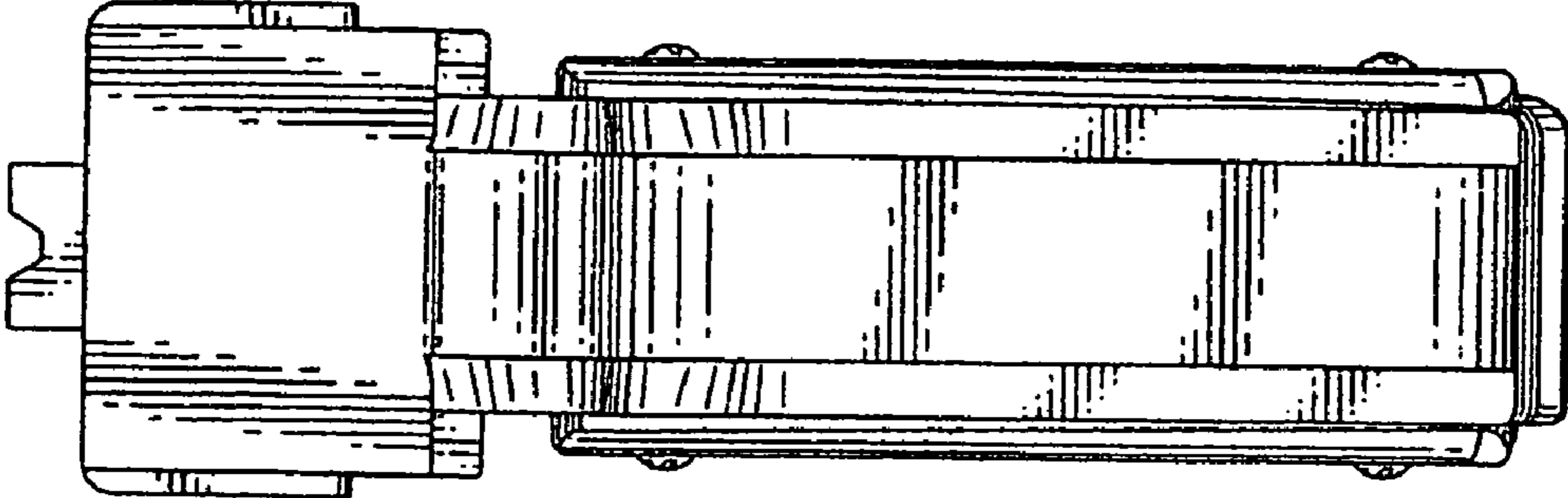


FIG. 6

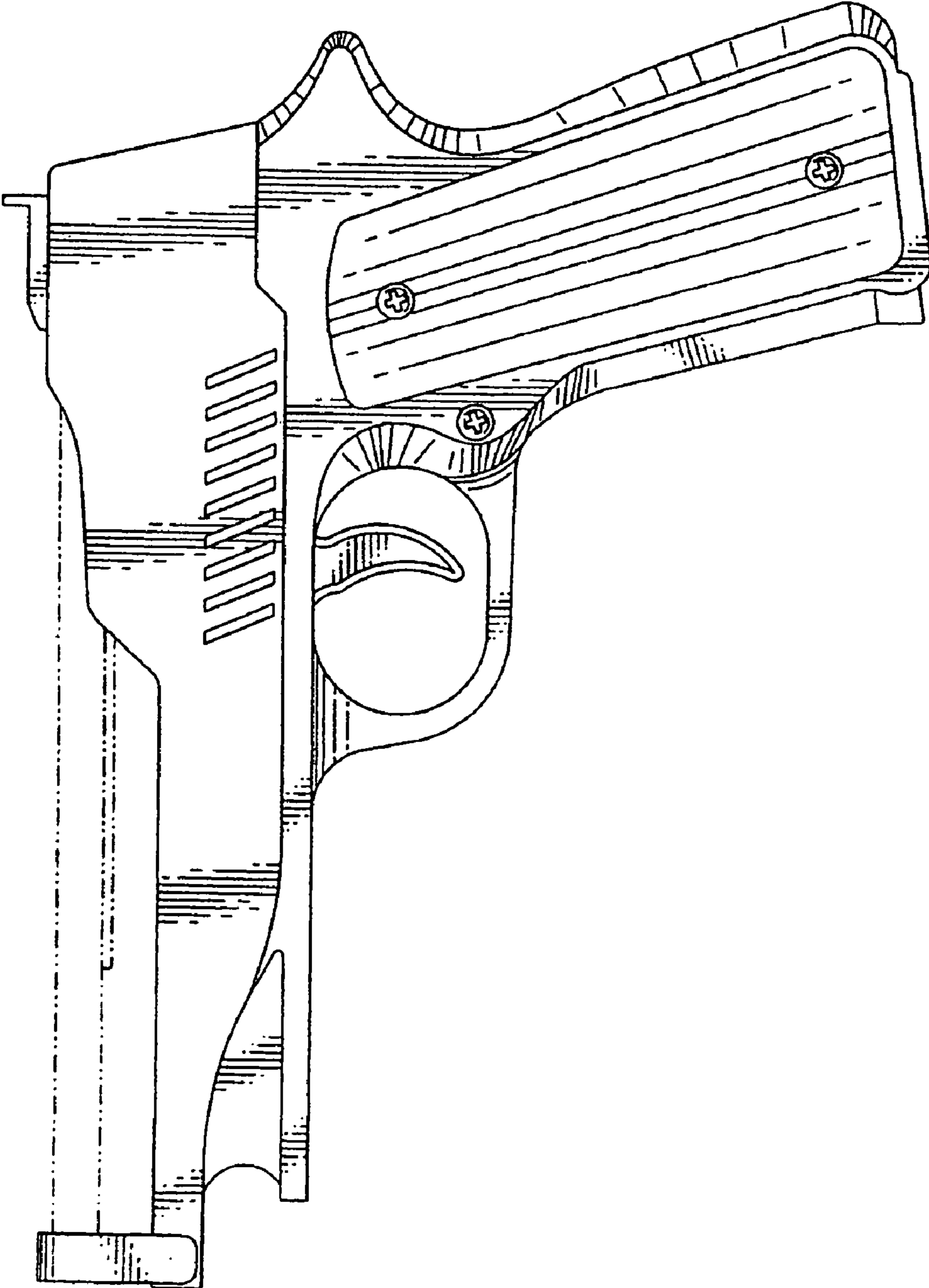


FIG. 8

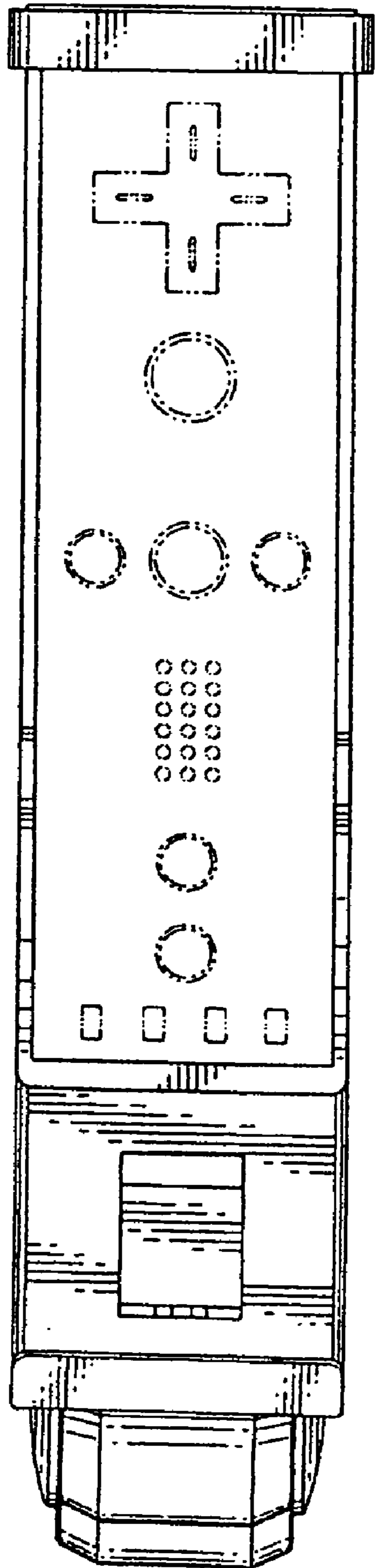


FIG. 9

