



US00D614623S

(12) **United States Design Patent**
Crisp et al.

(10) **Patent No.:** **US D614,623 S**

(45) **Date of Patent:** **** Apr. 27, 2010**

(54) **ELECTRONIC PEN**

(75) Inventors: **Thomas Crisp**, Beaverton, OR (US);
Michael Keith Lemmon, Portland, OR
(US); **Pierre Harper**, Portland, OR
(US); **Kai Halsinger**, Portland, OR (US)

(73) Assignee: **Wacom Co., Ltd.**, Kazo-shi (JP)

(**) Term: **14 Years**

(21) Appl. No.: **29/344,454**

(22) Filed: **Sep. 29, 2009**

(30) **Foreign Application Priority Data**

Apr. 16, 2009 (JP) 2009-008716

(51) **LOC (9) Cl.** **14-02**

(52) **U.S. Cl.** **D14/411**

(58) **Field of Classification Search** D8/61;
D14/411; D19/35, 36, 41-51, 54-58; 401/55,
401/99, 100, 104-107, 196, 197, 202, 208,
401/209, 213, 192, 195, 243; 708/107; 345/179,
345/173; 178/19.01; 700/94
See application file for complete search history.

(56) **References Cited**

U.S. PATENT DOCUMENTS

D230,403 S * 2/1974 Englund D14/431
D316,726 S * 5/1991 Itoh D19/51
D333,133 S * 2/1993 Hirota D14/411

D356,306 S * 3/1995 Ady et al. D14/411
D390,208 S * 2/1998 Tominaga et al. D14/431
D395,875 S * 7/1998 Aiken et al. D14/411
D458,635 S * 6/2002 Boyle et al. D19/36
D527,050 S * 8/2006 Hirota D19/51
D547,799 S * 7/2007 Granick D19/36
D584,772 S * 1/2009 Hackenberg et al. D19/51
D602,527 S * 10/2009 Heck et al. D19/51

* cited by examiner

Primary Examiner—Cathron C Brooks

Assistant Examiner—Austin Murphy

(74) *Attorney, Agent, or Firm*—Christensen O'Connor
Johnson Kindness PLLC

(57) **CLAIM**

The ornamental design for an electronic pen, as shown and described.

DESCRIPTION

FIG. 1 is a perspective view of an electronic pen showing a new design;

FIG. 2 is a right side elevational view of the electronic pen;

FIG. 3 is a left side elevational view of the electronic pen;

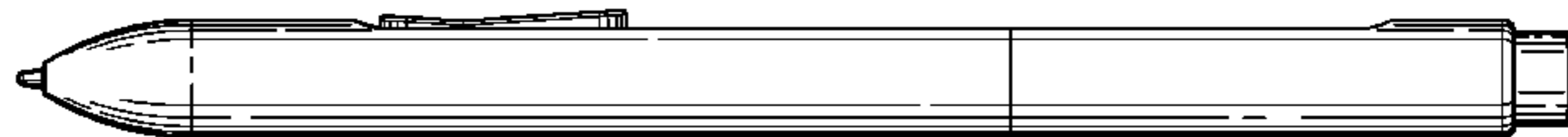
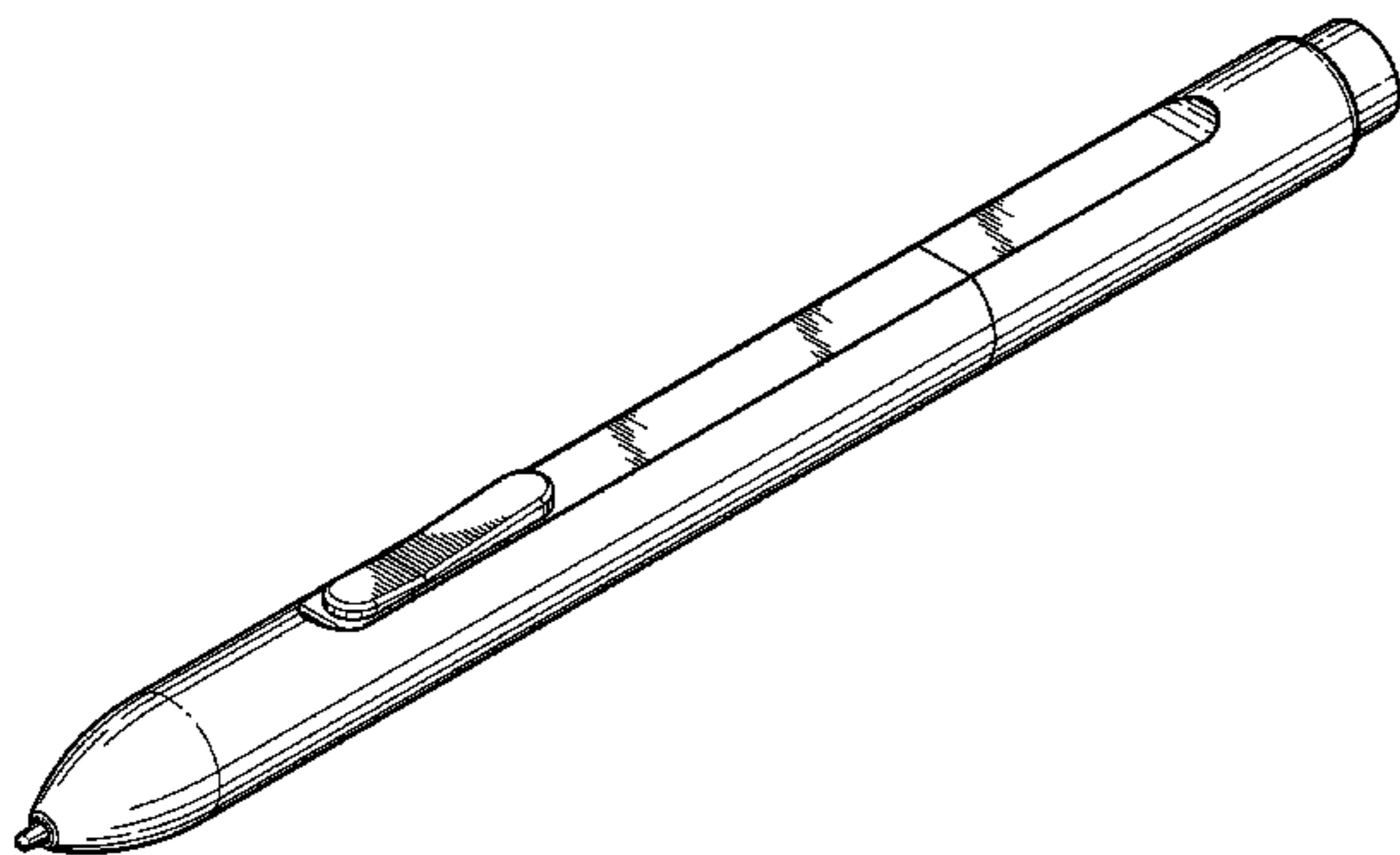
FIG. 4 is a top plan view of the electronic pen;

FIG. 5 is a bottom plan view of the electronic pen;

FIG. 6 is a front plan view of the electronic pen; and,

FIG. 7 is a bottom plan view of the electronic pen.

1 Claim, 3 Drawing Sheets



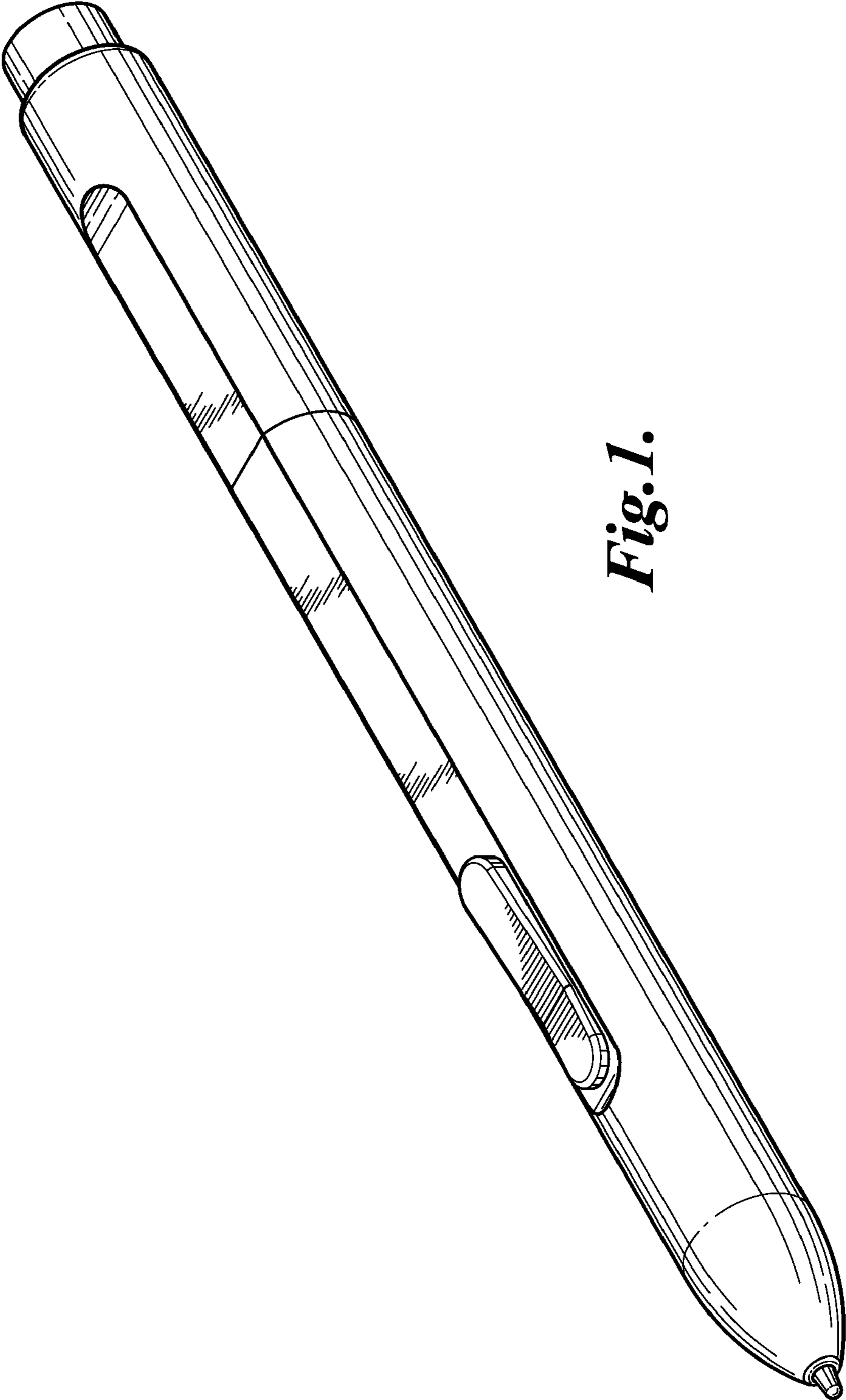


Fig. 1.



Fig. 2.

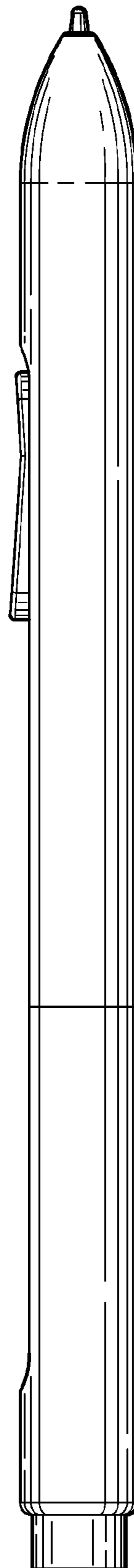


Fig. 3.

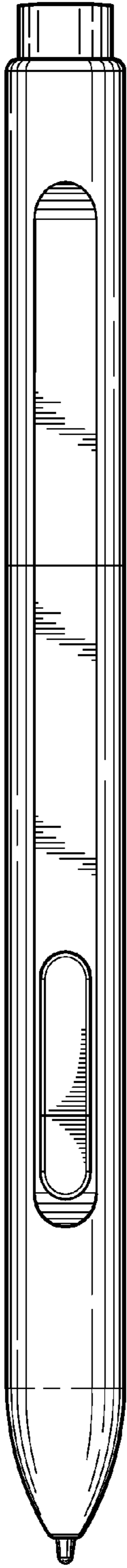


Fig. 4.

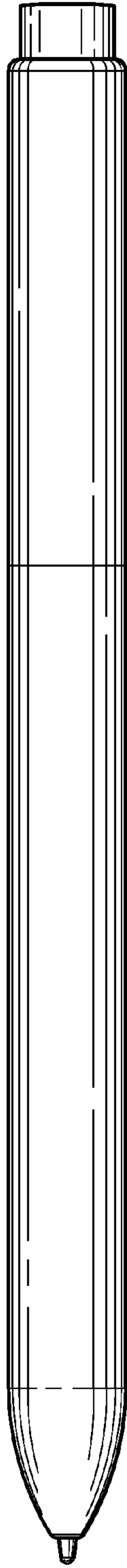


Fig. 5.

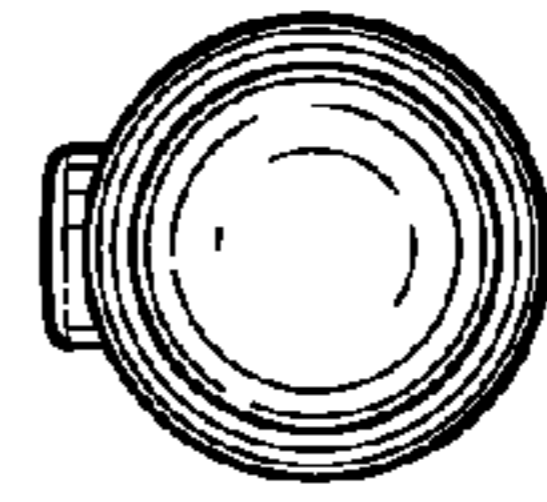


Fig. 6.

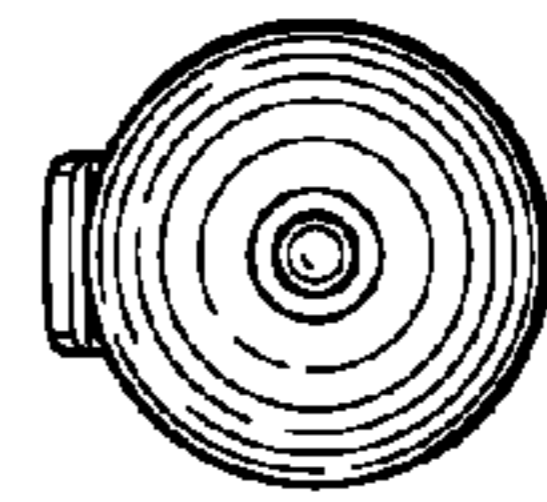


Fig. 7.