



US00D614622S

(12) **United States Design Patent**
Nakata

(10) **Patent No.:** **US D614,622 S**
(45) **Date of Patent:** **** Apr. 27, 2010**

(54) **ELECTRONIC PEN**

(75) Inventor: **Takaaki Nakata**, Saitama (JP)

(73) Assignee: **Wacom Co., Ltd.**, Kazo-shi (JP)

(**) Term: **14 Years**

(21) Appl. No.: **29/338,815**

(22) Filed: **Jun. 18, 2009**

(30) **Foreign Application Priority Data**

Dec. 26, 2008 (JP) 2008-033126

(51) **LOC (9) Cl.** **14-02**

(52) **U.S. Cl.** **D14/411**

(58) **Field of Classification Search** D8/61;
D14/411; D19/35, 36, 41-51, 54-58; 401/55,
401/99, 100, 104-107, 196, 197, 202, 208,
401/209, 213, 192, 195, 243; 708/107; 345/179,
345/173; 178/19.01; 700/94

See application file for complete search history.

(56) **References Cited**

U.S. PATENT DOCUMENTS

D279,992 S * 8/1985 Gribb D19/43
D327,476 S * 6/1992 Valls et al. D14/411
D417,206 S * 11/1999 Hirota D14/411
D464,653 S * 10/2002 Nagai et al. D14/411
D472,578 S * 4/2003 Plantz et al. D19/51
6,556,190 B2 * 4/2003 Fleck et al. 345/179
D499,447 S * 12/2004 Hui-Kuo D19/36
D501,881 S * 2/2005 Shimizu D19/43
D508,077 S * 8/2005 Bhavnani D19/36

D508,528 S * 8/2005 Shimizu D19/48
D527,050 S * 8/2006 Hirota D19/51
D530,746 S * 10/2006 Gerules D19/45
D565,653 S * 4/2008 Freed et al. D19/36
D584,355 S * 1/2009 Hidaka et al. D19/51
D591,345 S * 4/2009 Yu et al. D19/44
D595,718 S * 7/2009 Richter et al. D14/411

FOREIGN PATENT DOCUMENTS

JP D1238477 5/2005

* cited by examiner

Primary Examiner—Cathron C Brooks

Assistant Examiner—Austin Murphy

(74) *Attorney, Agent, or Firm*—Christensen O'Connor
Johnson Kindness PLLC

(57) **CLAIM**

The ornamental design for an electronic pen, as shown and described.

DESCRIPTION

FIG. 1 is a perspective view of an electronic pen showing my new design;

FIG. 2 is another perspective view thereof;

FIG. 3 is a front elevational view thereof;

FIG. 4 is a back elevational view thereof;

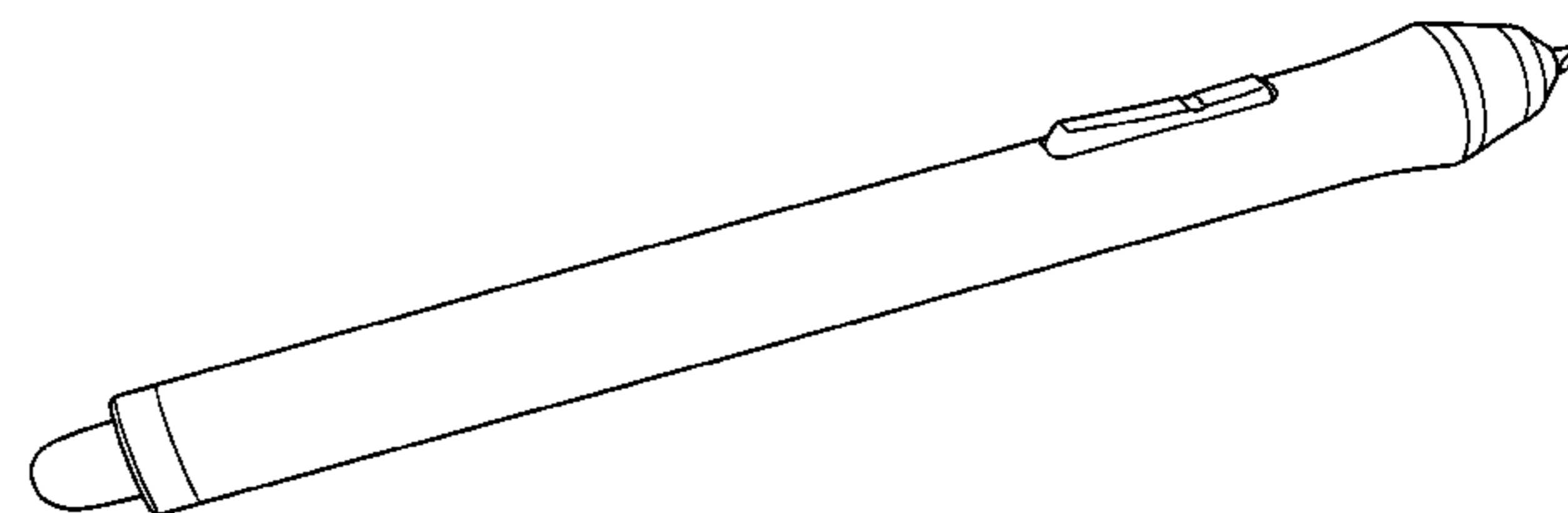
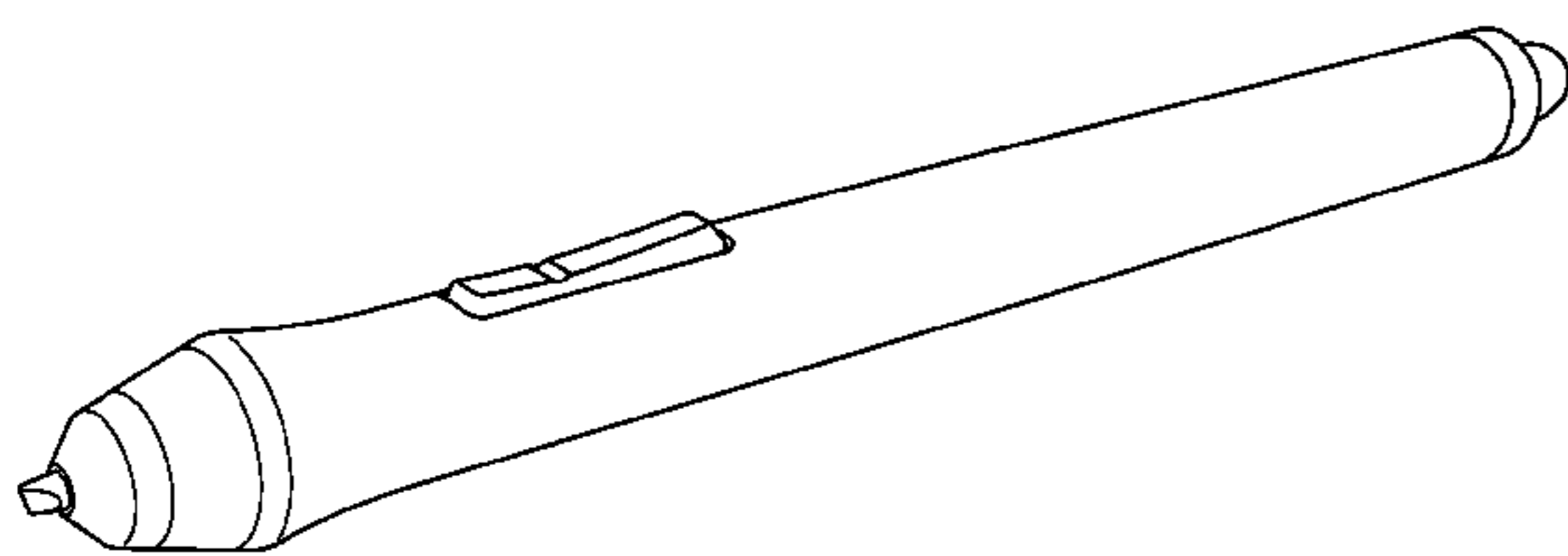
FIG. 5 is a right side elevational view thereof;

FIG. 6 is a left side elevational view thereof;

FIG. 7 is a top plan view thereof; and,

FIG. 8 is a bottom plan view thereof.

1 Claim, 3 Drawing Sheets



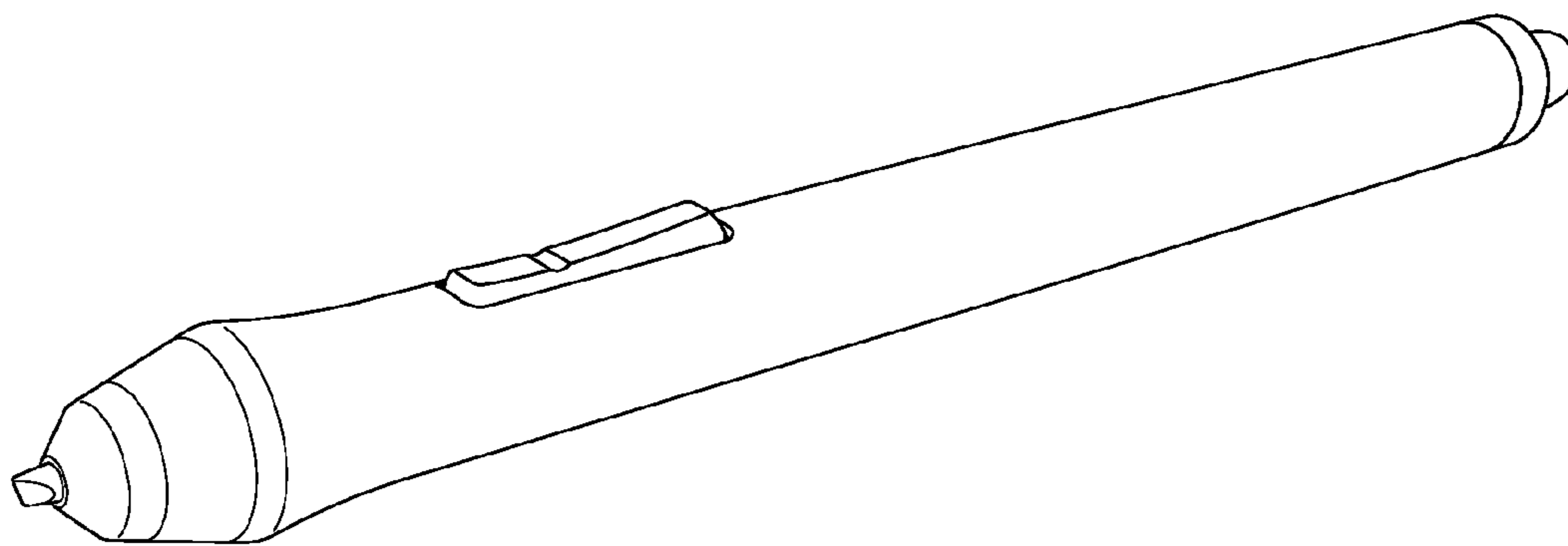


Fig.1.

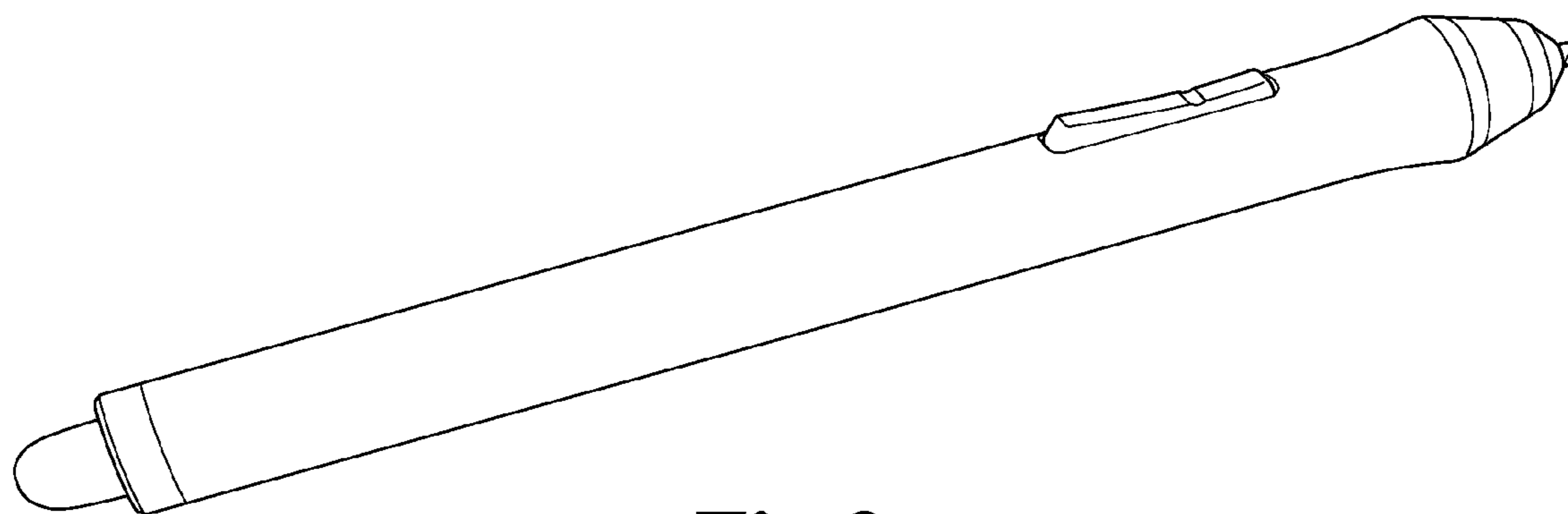


Fig.2.

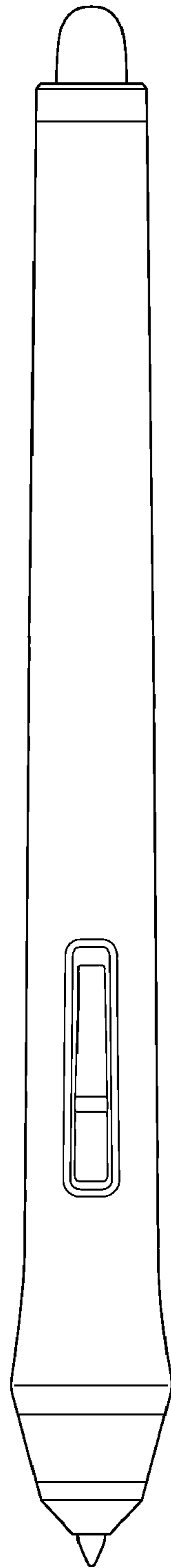


Fig. 3.

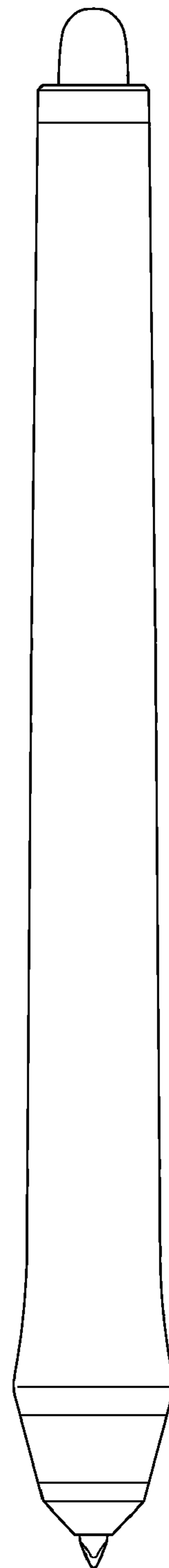


Fig. 4.

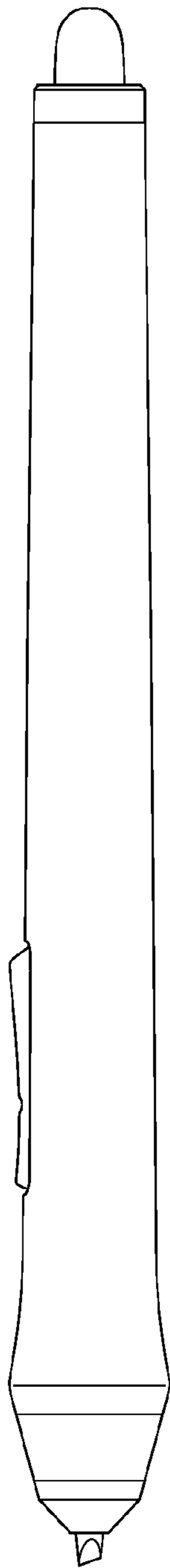


Fig. 5.

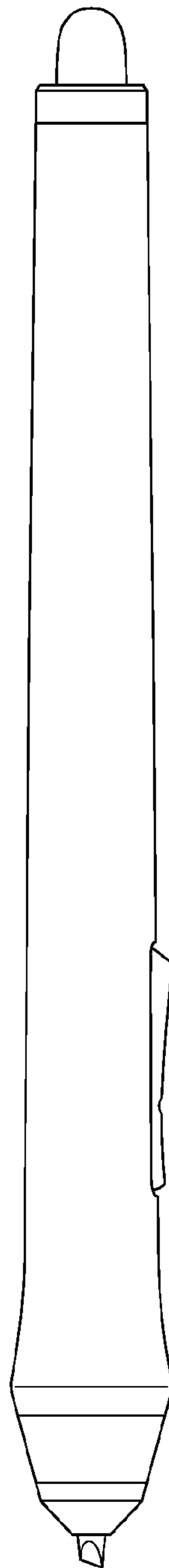


Fig. 6.

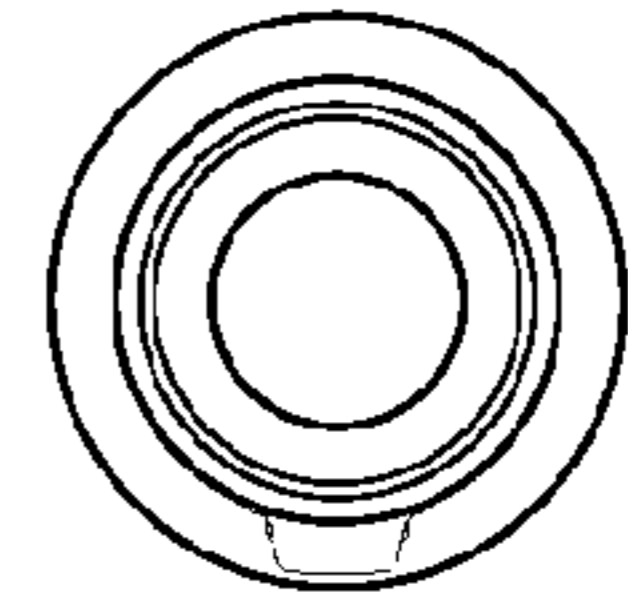


Fig. 7.

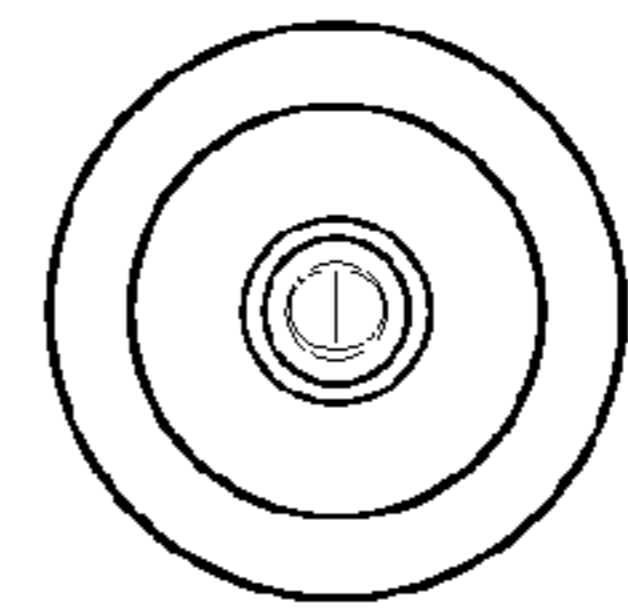


Fig. 8.

UNITED STATES PATENT AND TRADEMARK OFFICE
Certificate

Patent No. D. 614,622 S

Patented: April 27, 2010

On petition requesting issuance of a certificate for correction of inventorship pursuant to 35 U.S.C. 256, it has been found that the above identified patent, through error and without any deceptive intent, improperly sets forth the inventorship.

Accordingly, it is hereby certified that the correct inventorship of this patent is: Takaaki Nakata, Saitama (JP); Thomas Crisp, San Francisco, CA (US); and Felix Ballerstedt, Portland, OR (US).

Signed and Sealed this Twenty-second Day of November 2011.

CATHRON C. BROOKS
Supervisory Patent Examiner
Art Unit 2911
Technology Center 2900