



US00D614620S

(12) **United States Design Patent**
Haase et al.

(10) **Patent No.:** **US D614,620 S**
(45) **Date of Patent:** **** Apr. 27, 2010**

(54) **INFORMATION HANDLING SYSTEM HOUSING**

(75) Inventors: **Andreas Haase**, Plantation, FL (US);
Matthew Grossman, Austin, TX (US);
Nick Poteracki, Austin, TX (US)

(73) Assignee: **Dell Products, L.P.**, Round Rock, TX (US)

(**) Term: **14 Years**

(21) Appl. No.: **29/344,395**

(22) Filed: **Sep. 29, 2009**

(51) **LOC (9) Cl.** **14-02**

(52) **U.S. Cl.** **D14/349**

(58) **Field of Classification Search** D14/301,
D14/308, 349-361, 388, 300; D13/162,
D13/184, 199; 312/223.1-223.3; 360/99.01-99.12;
361/679.06, 679.31-679.37; 369/34.01,
369/36.01; 358/496

See application file for complete search history.

(56) **References Cited**

U.S. PATENT DOCUMENTS

D375,944 S *	11/1996	Franz et al.	D14/349
D405,063 S *	2/1999	Lee et al.	D14/351
D438,203 S *	2/2001	Lai	D14/349
D439,895 S *	4/2001	Wang	D14/301
D442,579 S *	5/2001	Liau et al.	D14/301
D466,506 S *	12/2002	Matsuoka	D14/349
6,549,397 B1 *	4/2003	Diaz et al.	361/679.6

D497,162 S *	10/2004	Neal et al.	D14/349
D514,557 S *	2/2006	Crisp	D14/301
D524,309 S *	7/2006	Zhang et al.	D14/349
D554,118 S *	10/2007	Deng	D14/349
2003/0122457 A1 *	7/2003	Diaz et al.	312/223.2

* cited by examiner

Primary Examiner—Freda S Nunn

(74) *Attorney, Agent, or Firm*—Hamilton & Terrile, LLP;
Stephen A. Terrile

(57) **CLAIM**

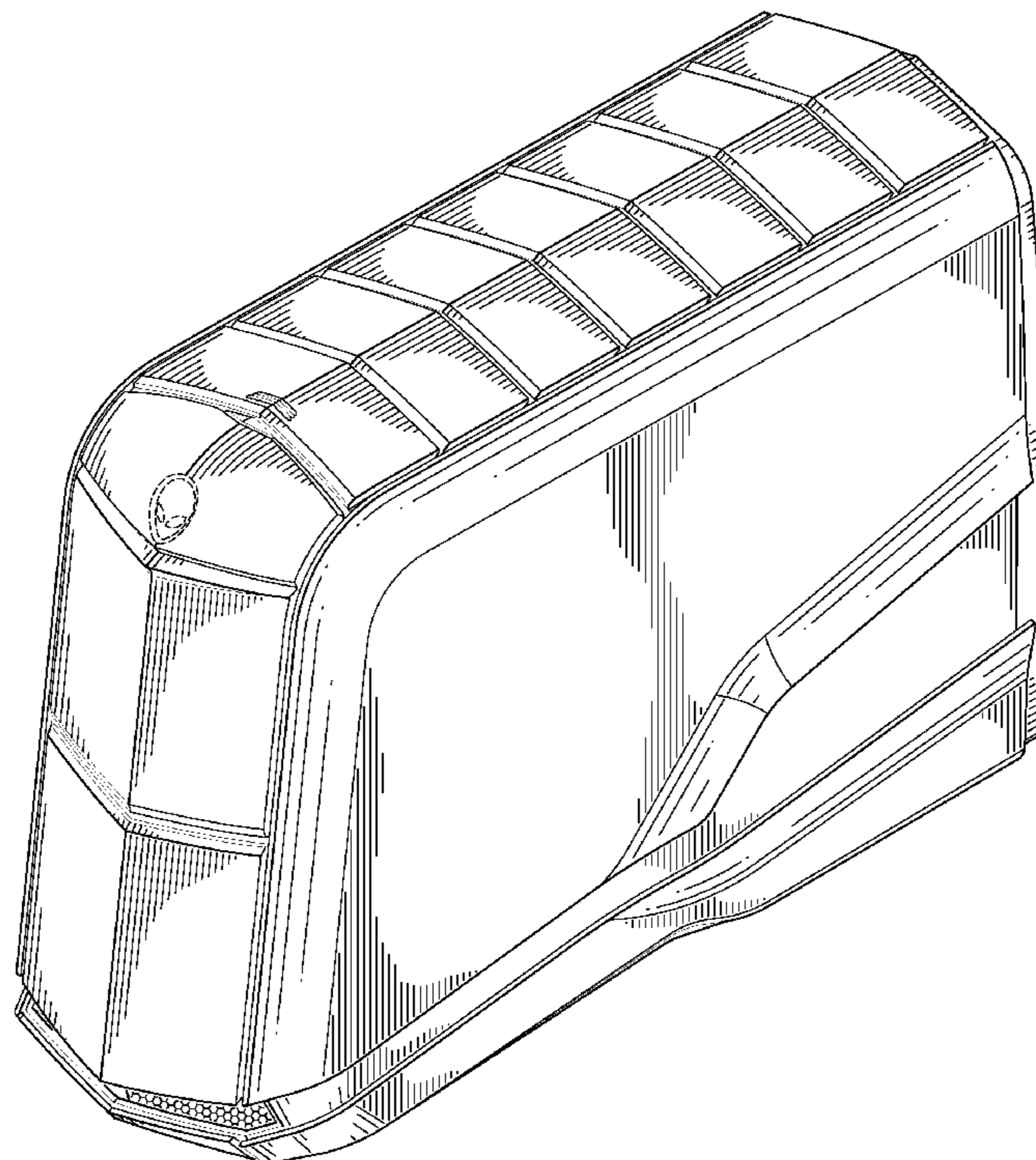
The ornamental design for an information handling system housing, as shown and described.

DESCRIPTION

FIG. 1 is a right frontal perspective view of the information handling system housing comprising the present invention; FIG. 2 is a front elevation view thereof; FIG. 3 is a right side elevation view thereof; FIG. 4 is a left side elevation view thereof; FIG. 5 is a back elevation view thereof; FIG. 6 is a top plan view thereof; FIG. 7 is another right frontal perspective thereof; and, FIG. 8 is another right frontal perspective thereof.

Broken lines shown in the drawings illustrate portions of the information handling system housing, and form no part of the claimed design.

1 Claim, 8 Drawing Sheets



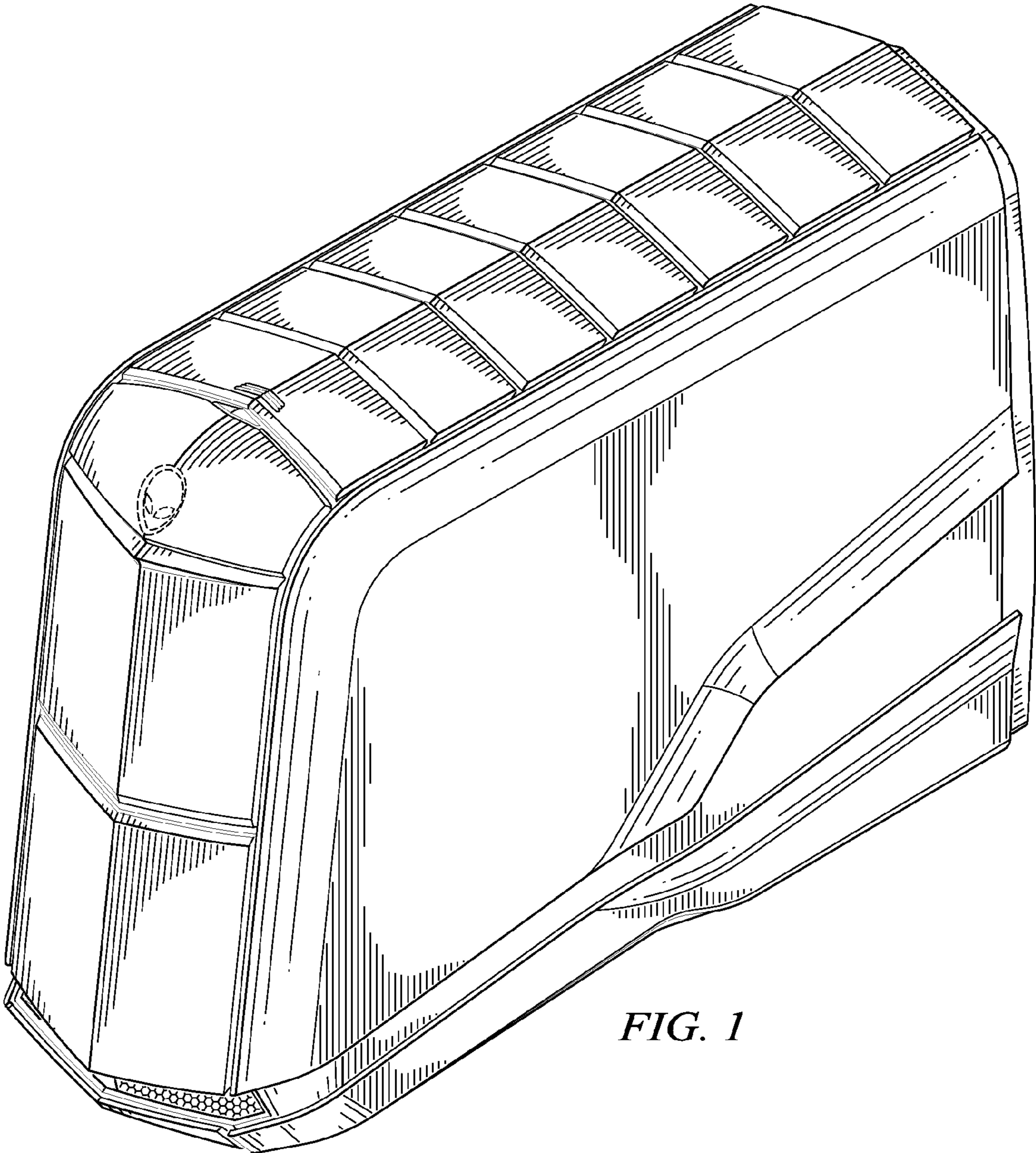


FIG. 1

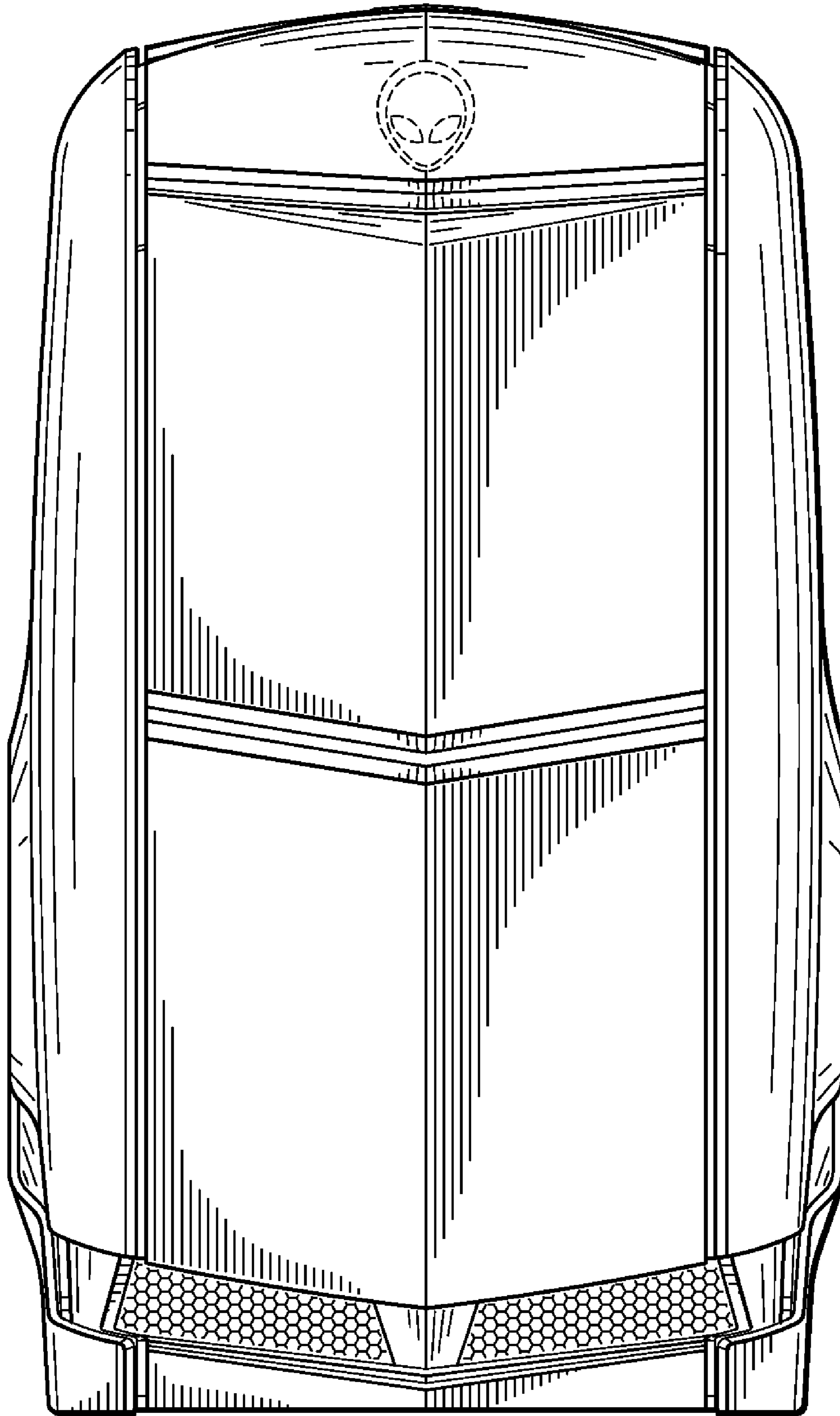


FIG. 2

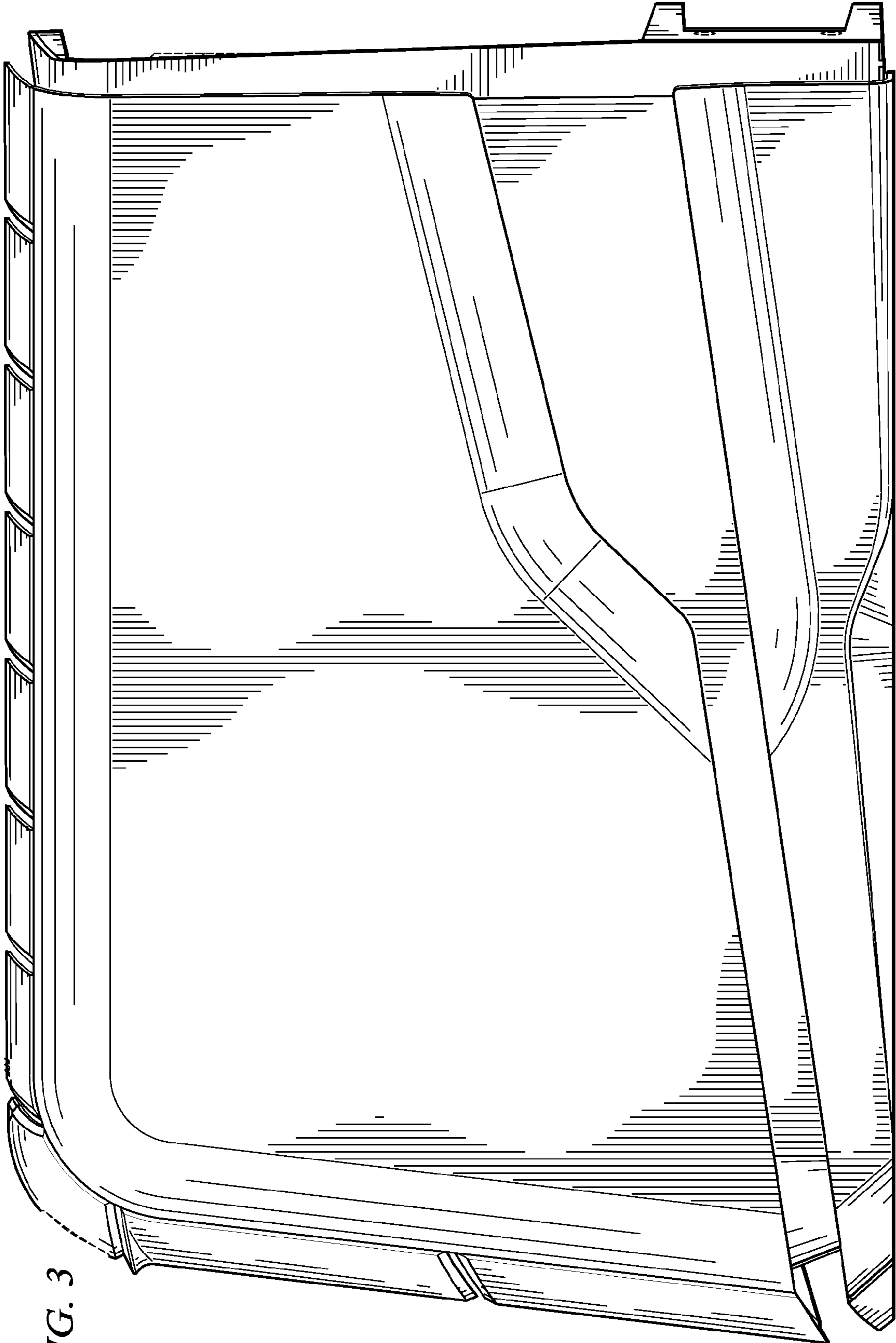
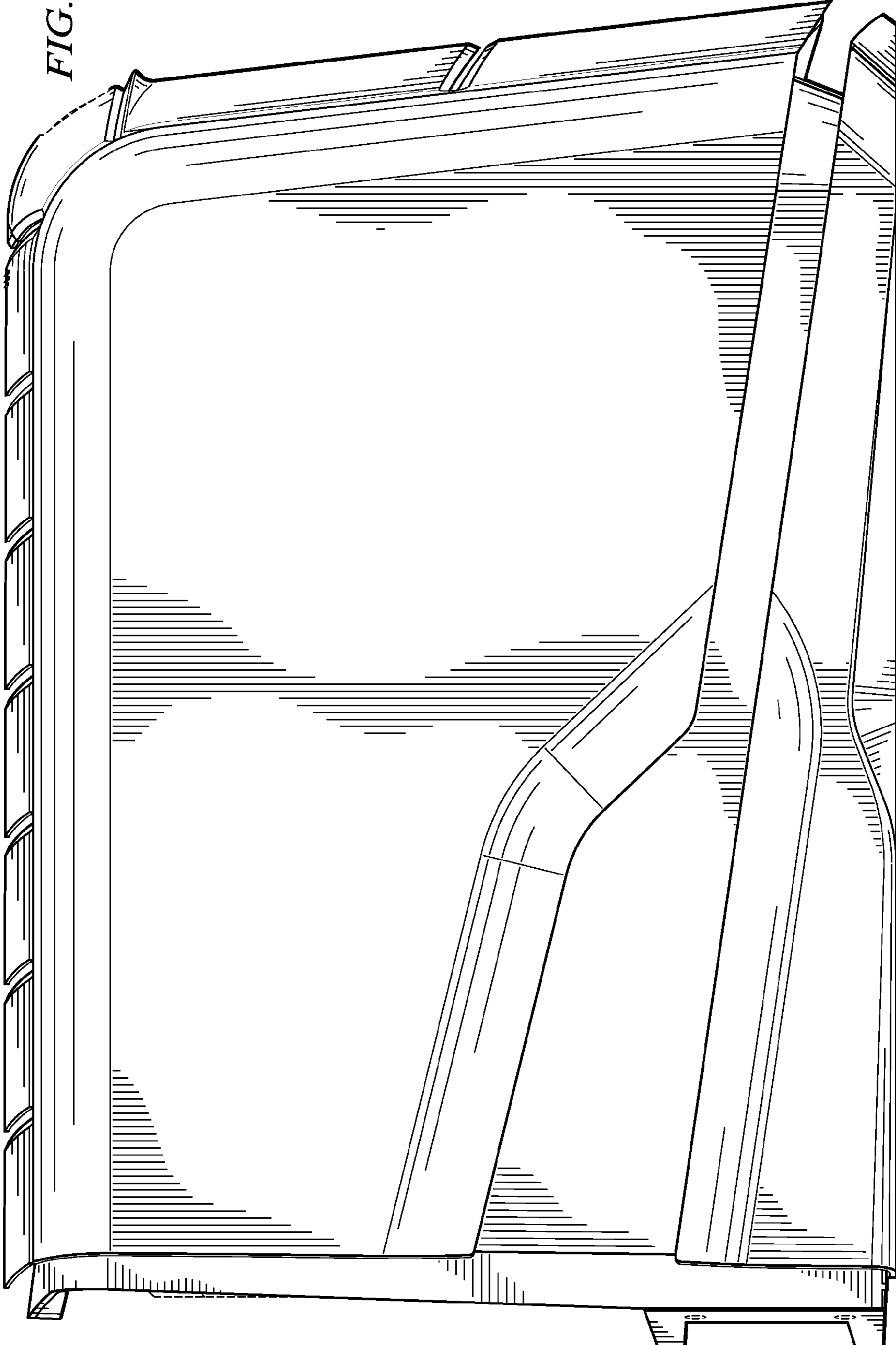


FIG. 3

FIG. 4



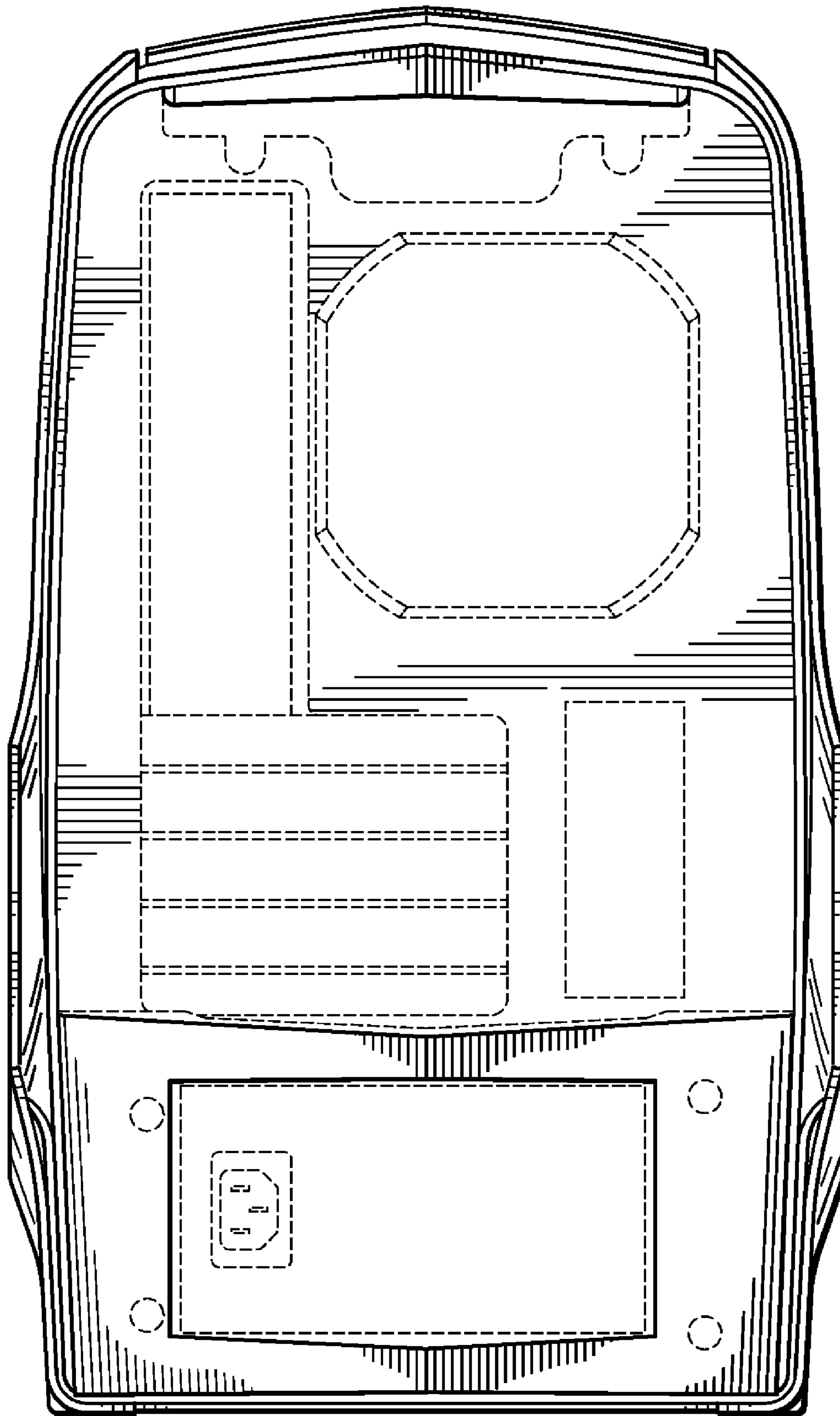


FIG. 5

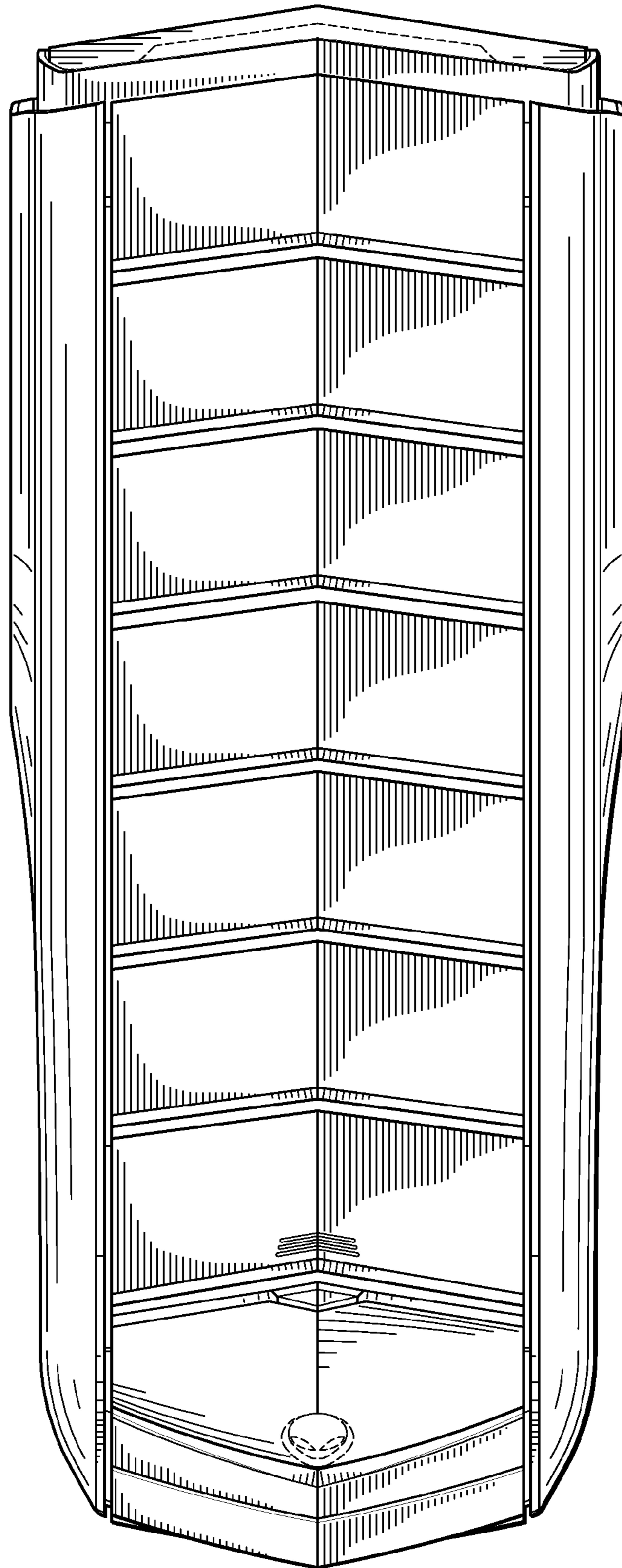


FIG. 6

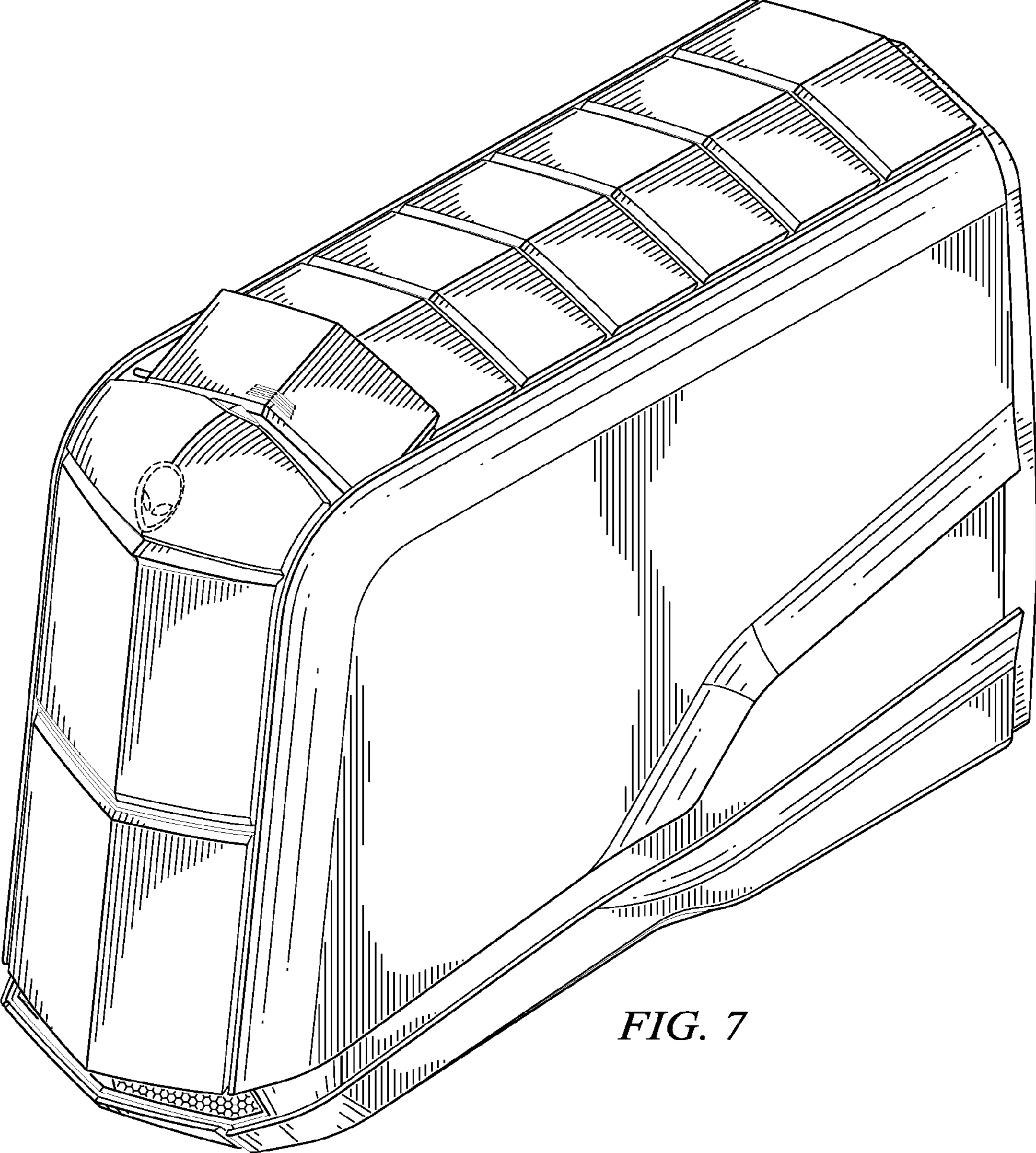


FIG. 7

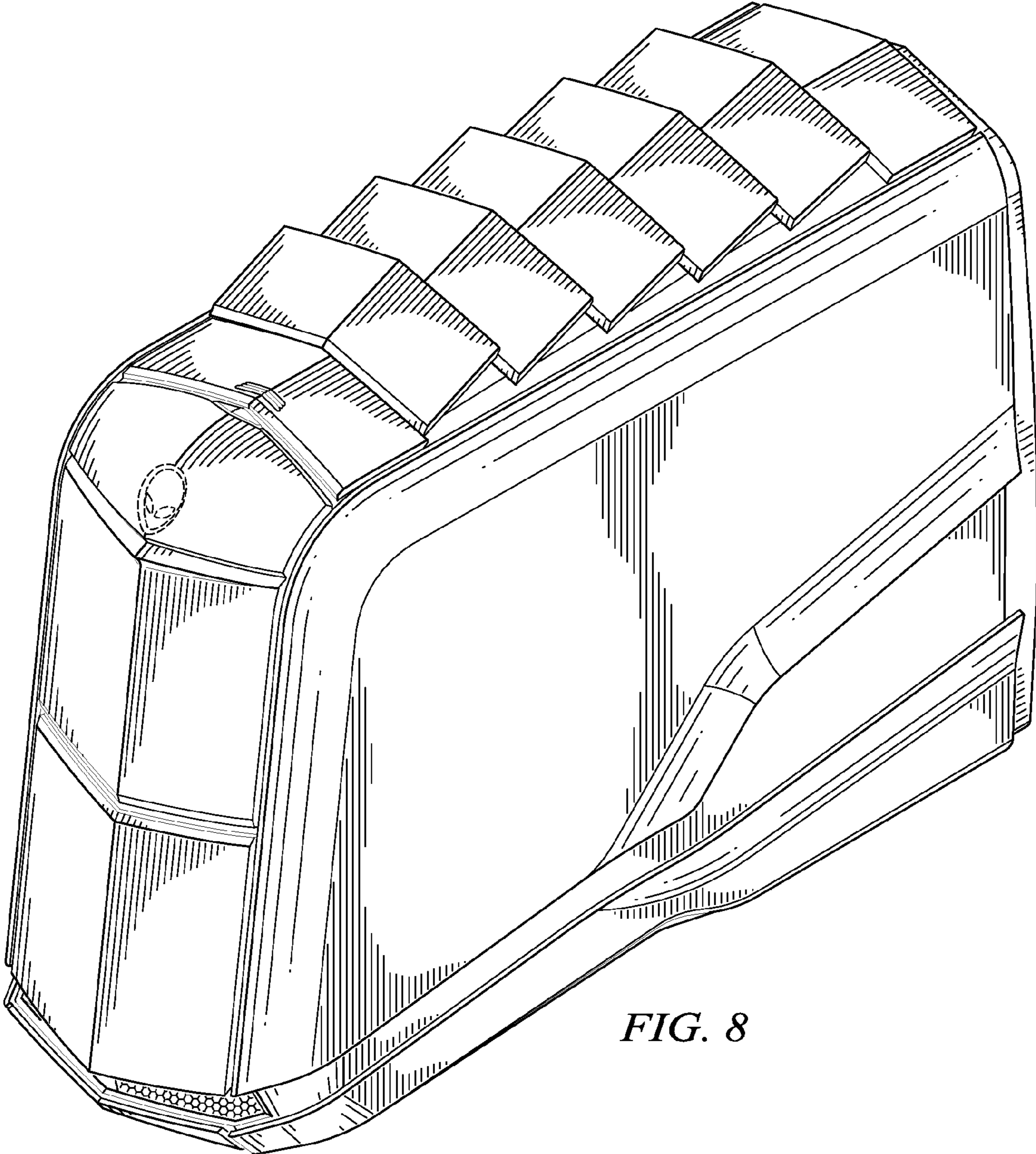


FIG. 8