



US00D614619S

(12) **United States Design Patent**  
**Haase et al.**

(10) **Patent No.:** **US D614,619 S**

(45) **Date of Patent:** **\*\* Apr. 27, 2010**

(54) **INFORMATION HANDLING SYSTEM HOUSING**

(75) Inventors: **Andreas Haase**, Plantation, FL (US);  
**Matthew C. Grossman**, Austin, TX (US);  
**Nick Poteracki**, Austin, TX (US)

(73) Assignee: **Dell Products L.P.**, Round Rock, TX (US)

(\*\*) Term: **14 Years**

(21) Appl. No.: **29/344,393**

(22) Filed: **Sep. 29, 2009**

(51) **LOC (9) Cl.** ..... **14-02**

(52) **U.S. Cl.** ..... **D14/349**

(58) **Field of Classification Search** ..... D14/301,  
D14/308, 349-361, 388, 300; D13/162,  
D13/184, 199; 312/223.1-223.3; 360/99.01-99.12;  
361/679.06, 679.31-679.37; 369/34.01,  
369/36.01; 358/496

See application file for complete search history.

(56) **References Cited**

**U.S. PATENT DOCUMENTS**

D375,944 S *	11/1996	Franz et al.	.....	D14/349
D405,063 S *	2/1999	Lee et al.	.....	D14/351
D438,203 S *	2/2001	Lai	.....	D14/349
D439,895 S *	4/2001	Wang	.....	D14/301
D442,579 S *	5/2001	Liau et al.	.....	D14/301
D466,506 S *	12/2002	Matsuoka	.....	D14/349
6,549,397 B1 *	4/2003	Diaz et al.	.....	361/679.6

D497,162 S \* 10/2004 Neal et al. .... D14/349

D514,557 S \* 2/2006 Crisp ..... D14/301

D524,309 S \* 7/2006 Zhang et al. .... D14/349

D554,118 S \* 10/2007 Deng ..... D14/349

2003/0122457 A1 \* 7/2003 Diaz et al. .... 312/223.2

\* cited by examiner

*Primary Examiner*—Freda S Nunn

(74) *Attorney, Agent, or Firm*—Hamilton & Terrile, LLP;  
Stephen A. Terrile

(57) **CLAIM**

The ornamental design for an information handling system housing, as shown and described.

**DESCRIPTION**

FIG. 1 is a right frontal perspective view of the information handling system housing comprising the present invention;

FIG. 2 is a front elevation view thereof;

FIG. 3 is a right side elevation view thereof;

FIG. 4 is a left side elevation view thereof;

FIG. 5 is a back elevation view thereof;

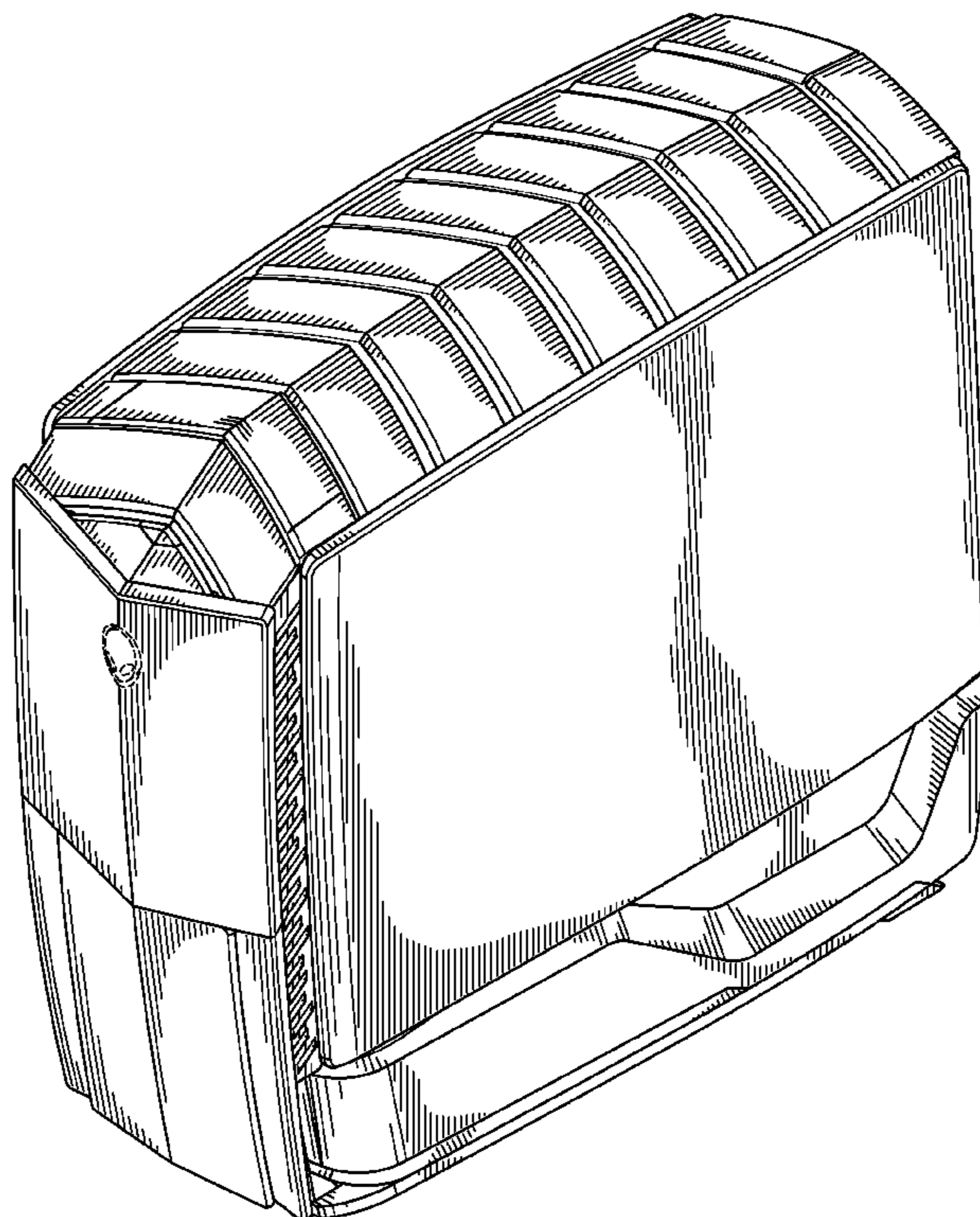
FIG. 6 is a top plan view thereof;

FIG. 7 is another right frontal perspective thereof; and,

FIG. 8 is another right frontal perspective thereof.

Broken lines shown in the drawings illustrate portions of the information handling system housing, and form no part of the claimed design.

**1 Claim, 8 Drawing Sheets**



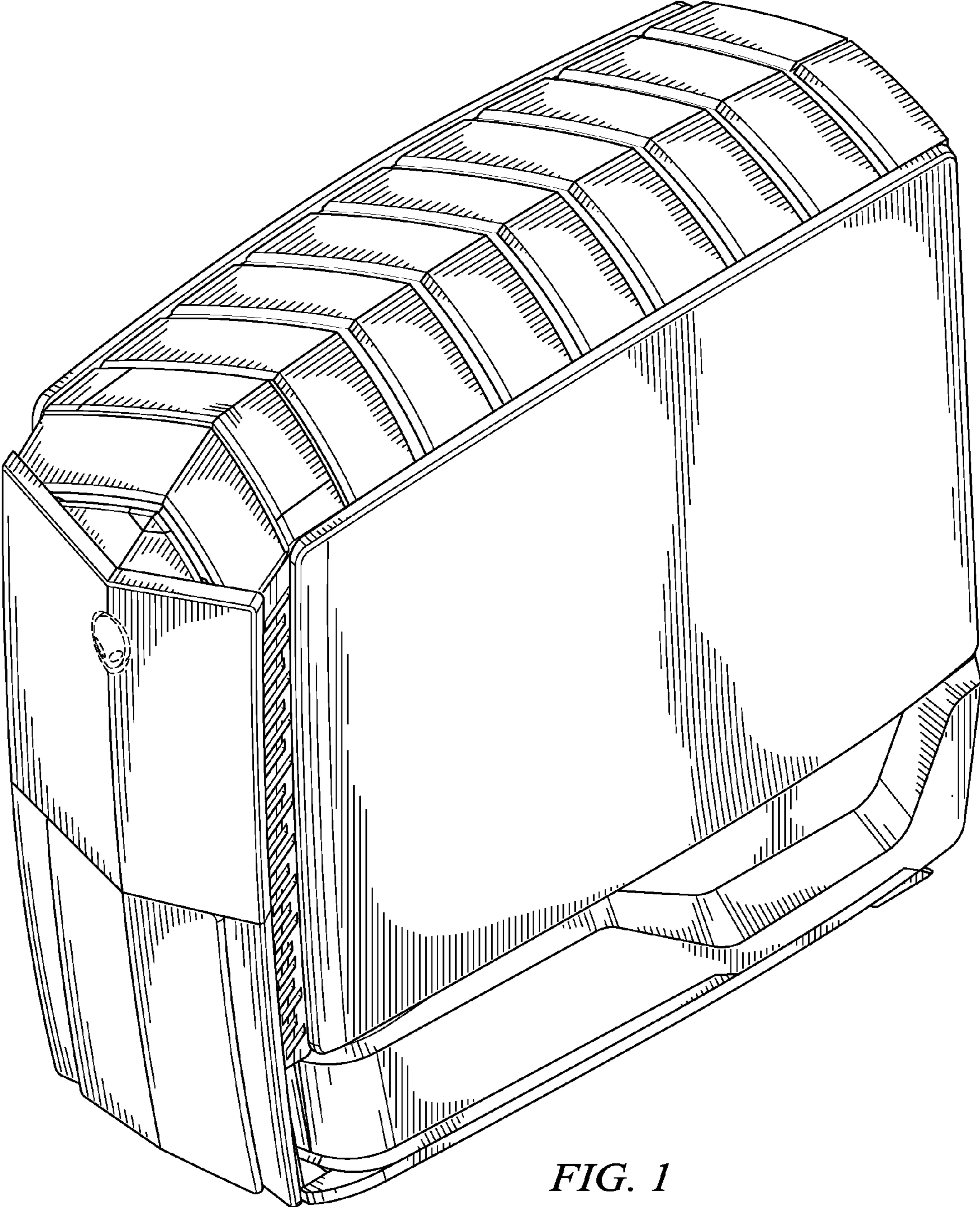
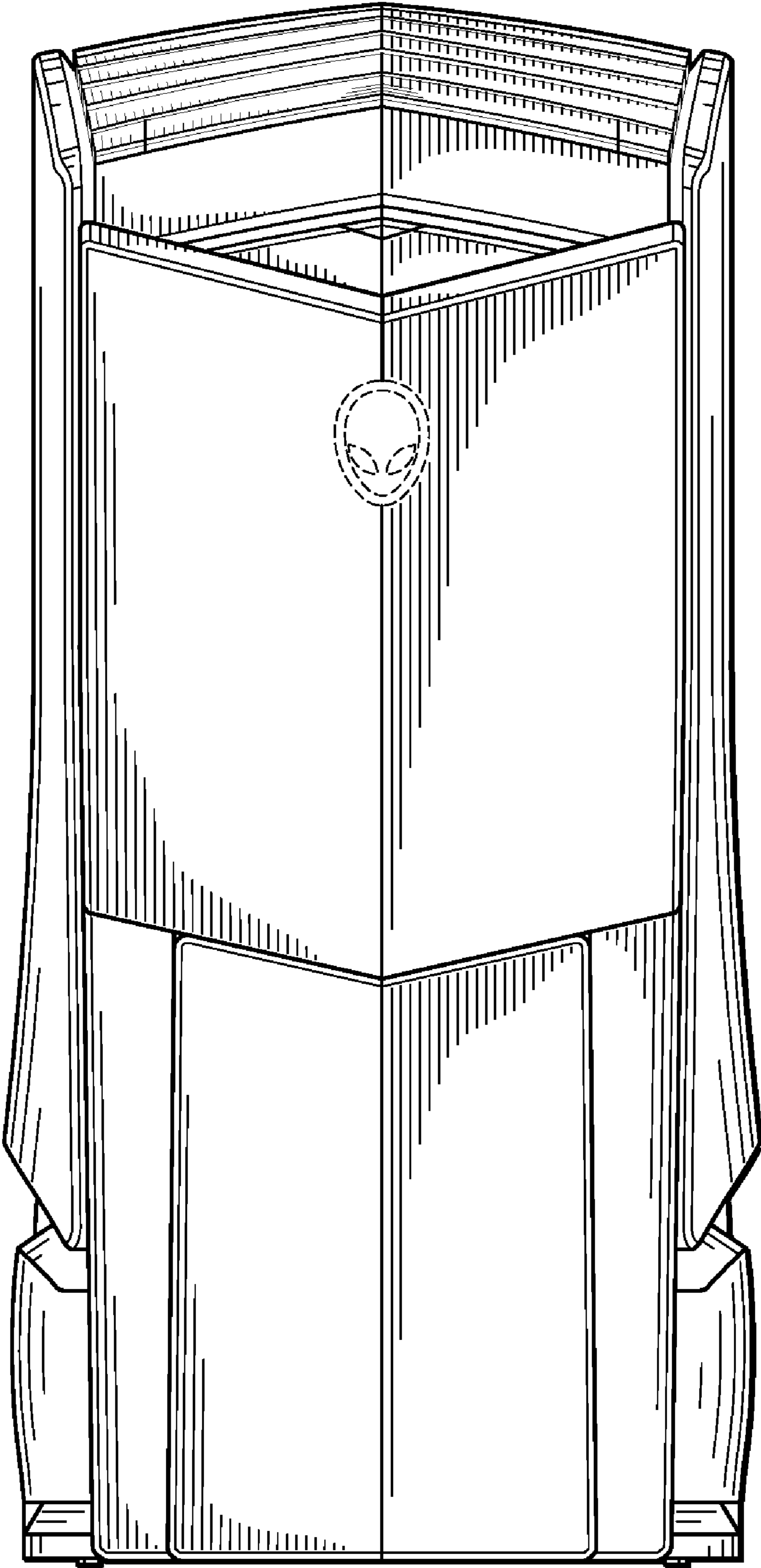


FIG. 1



*FIG. 2*



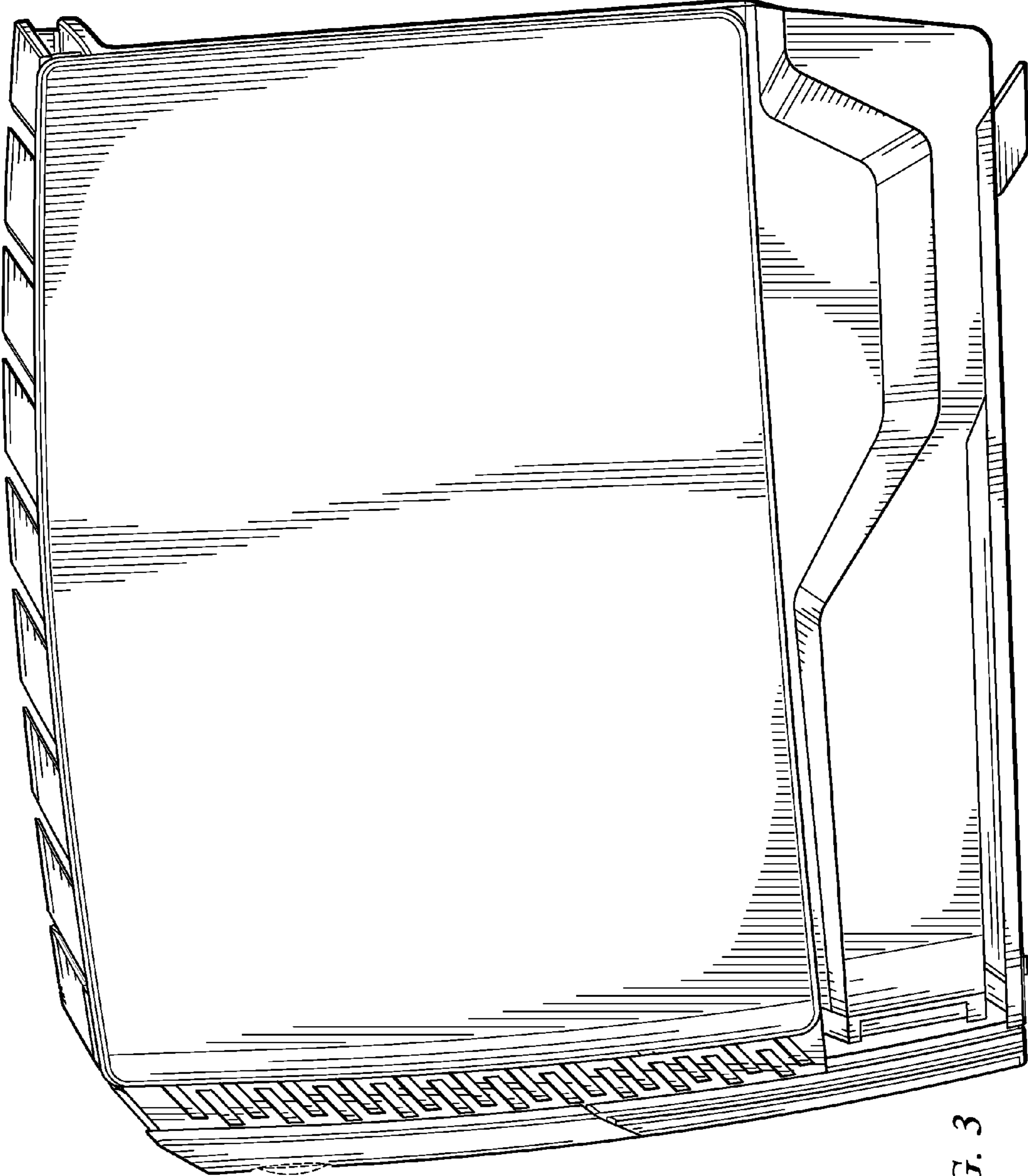


FIG. 3

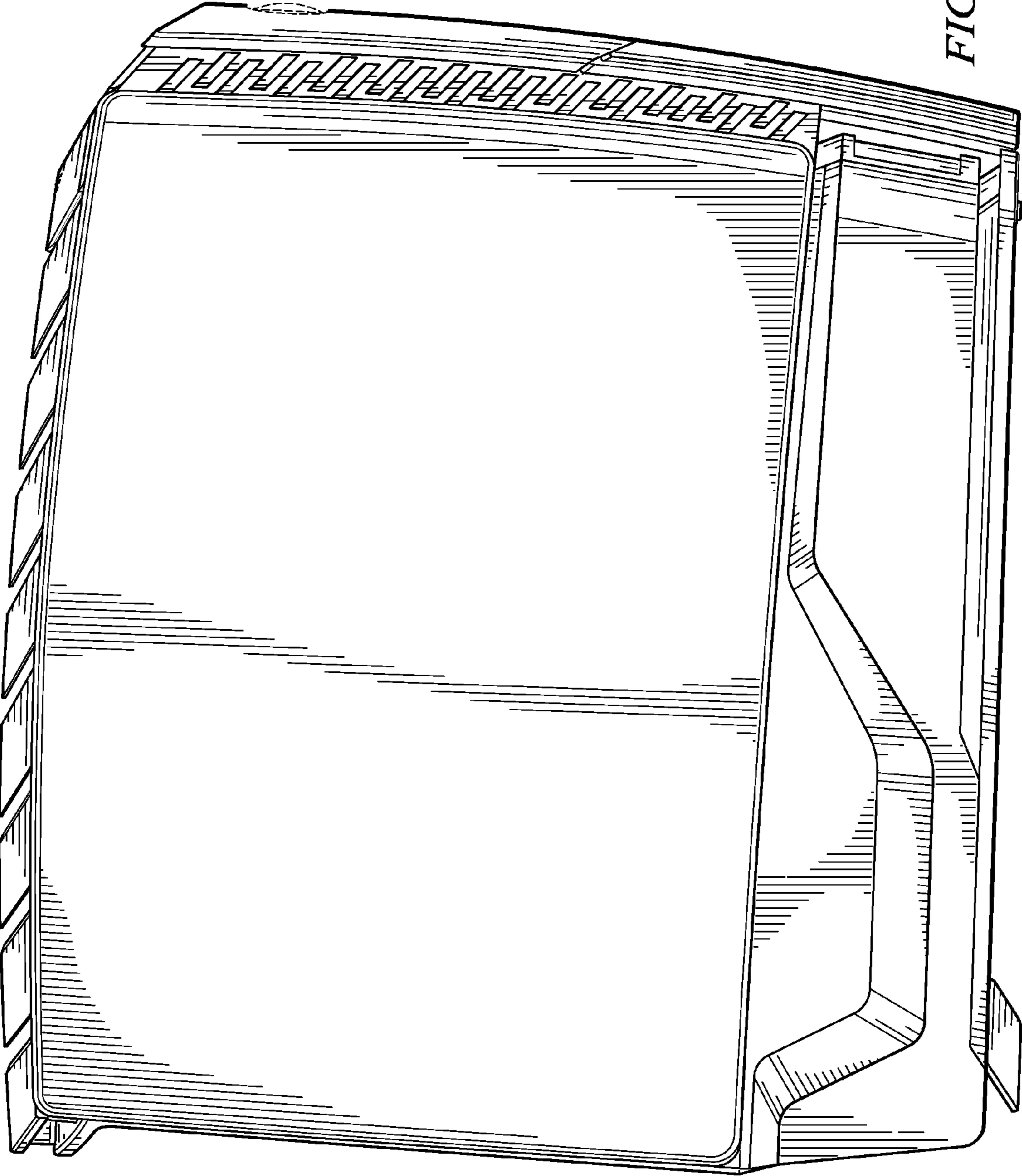
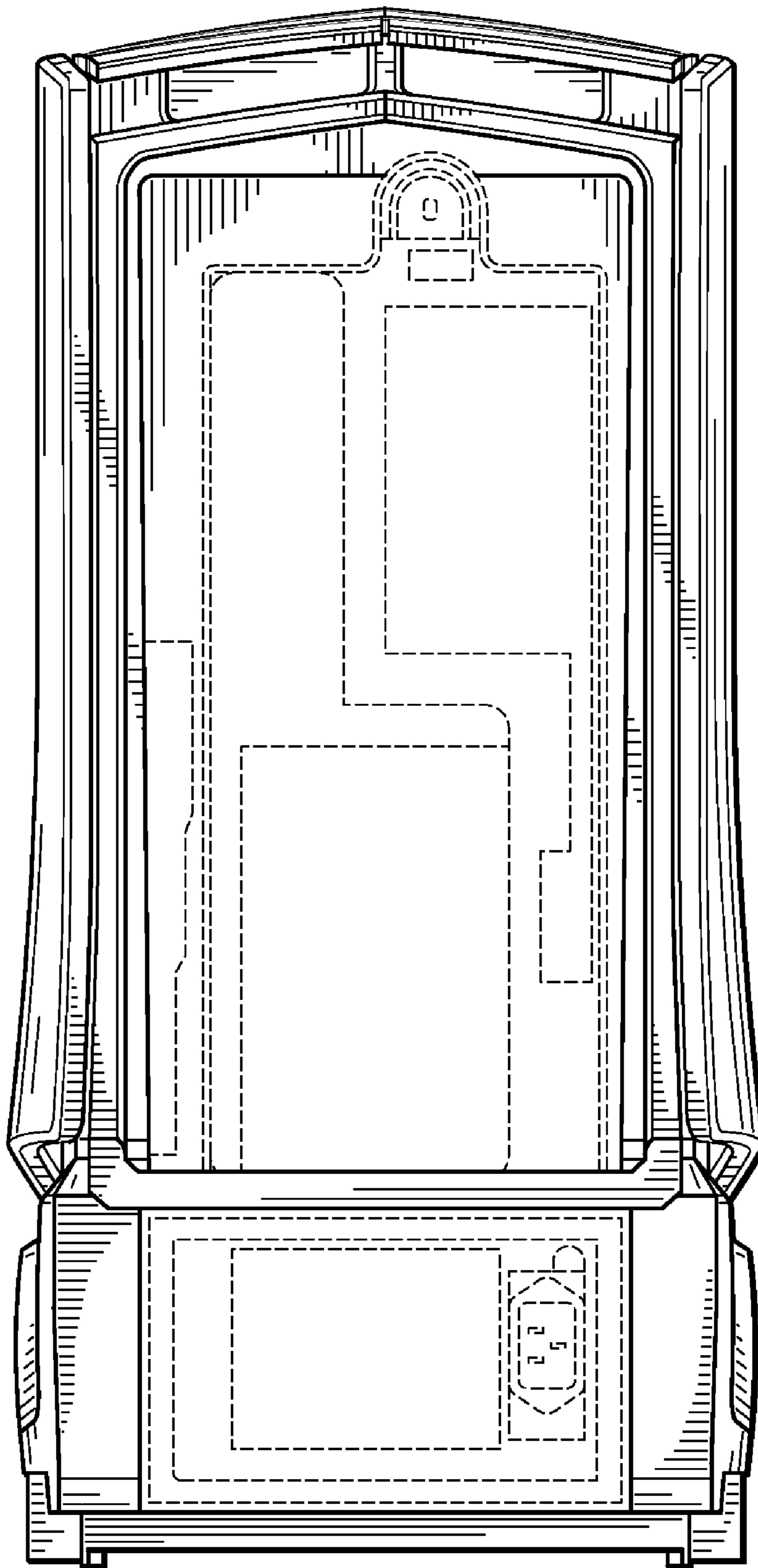
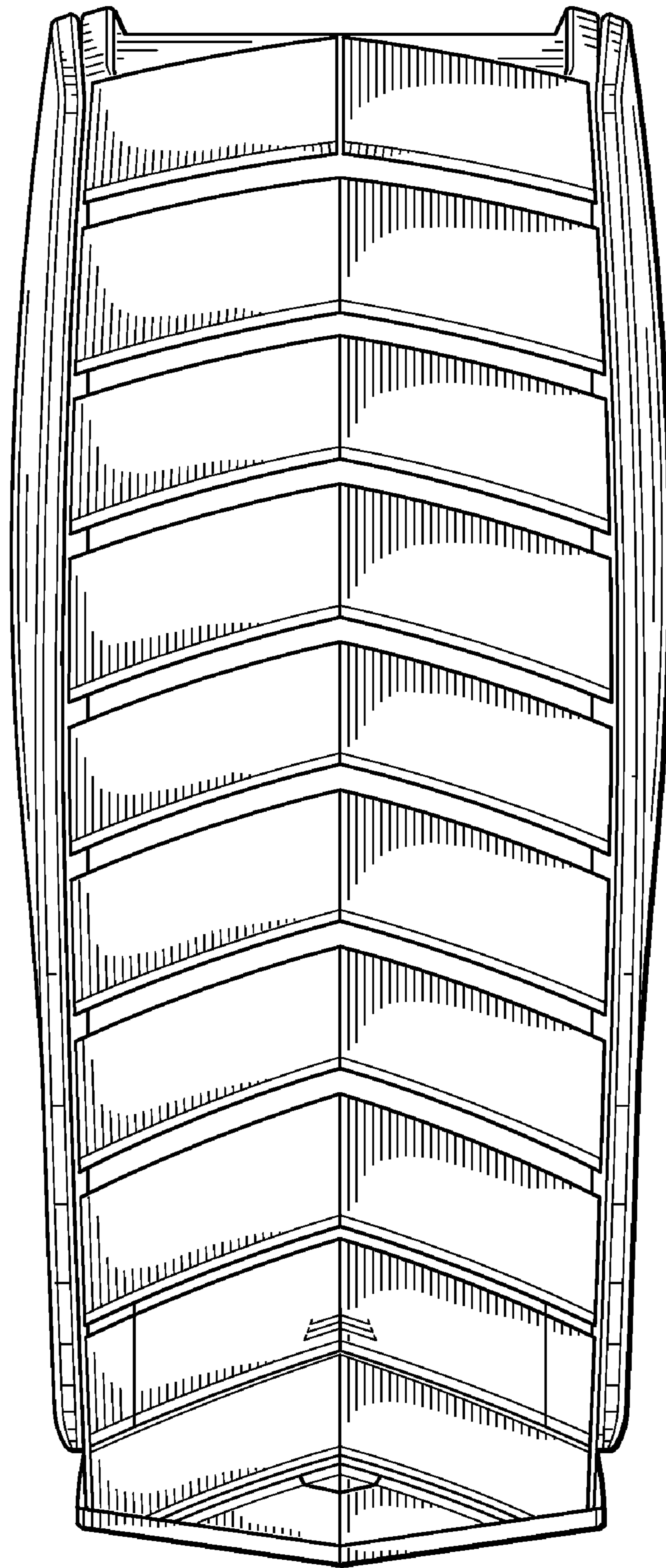


FIG. 4



*FIG. 5*



*FIG. 6*

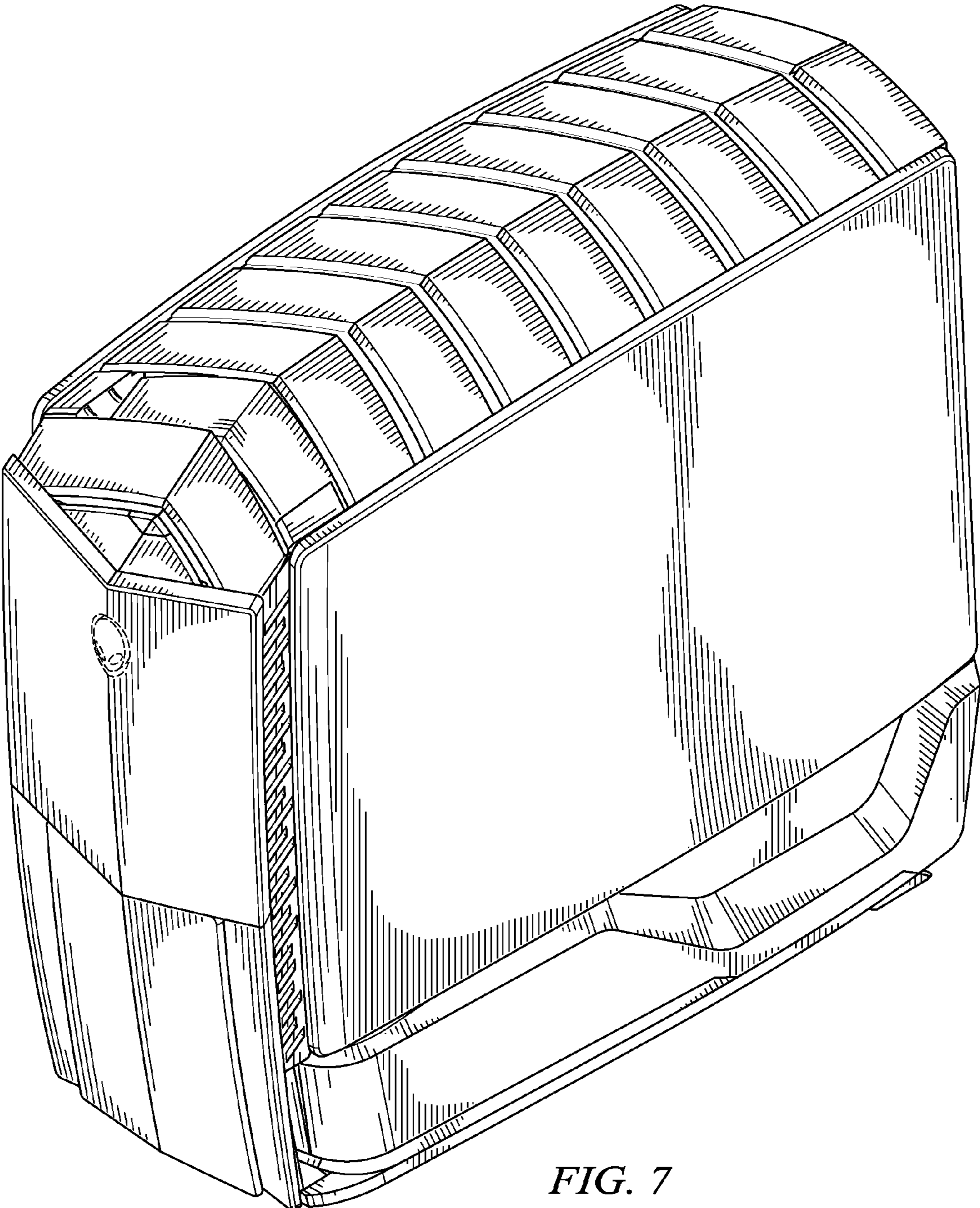


FIG. 7



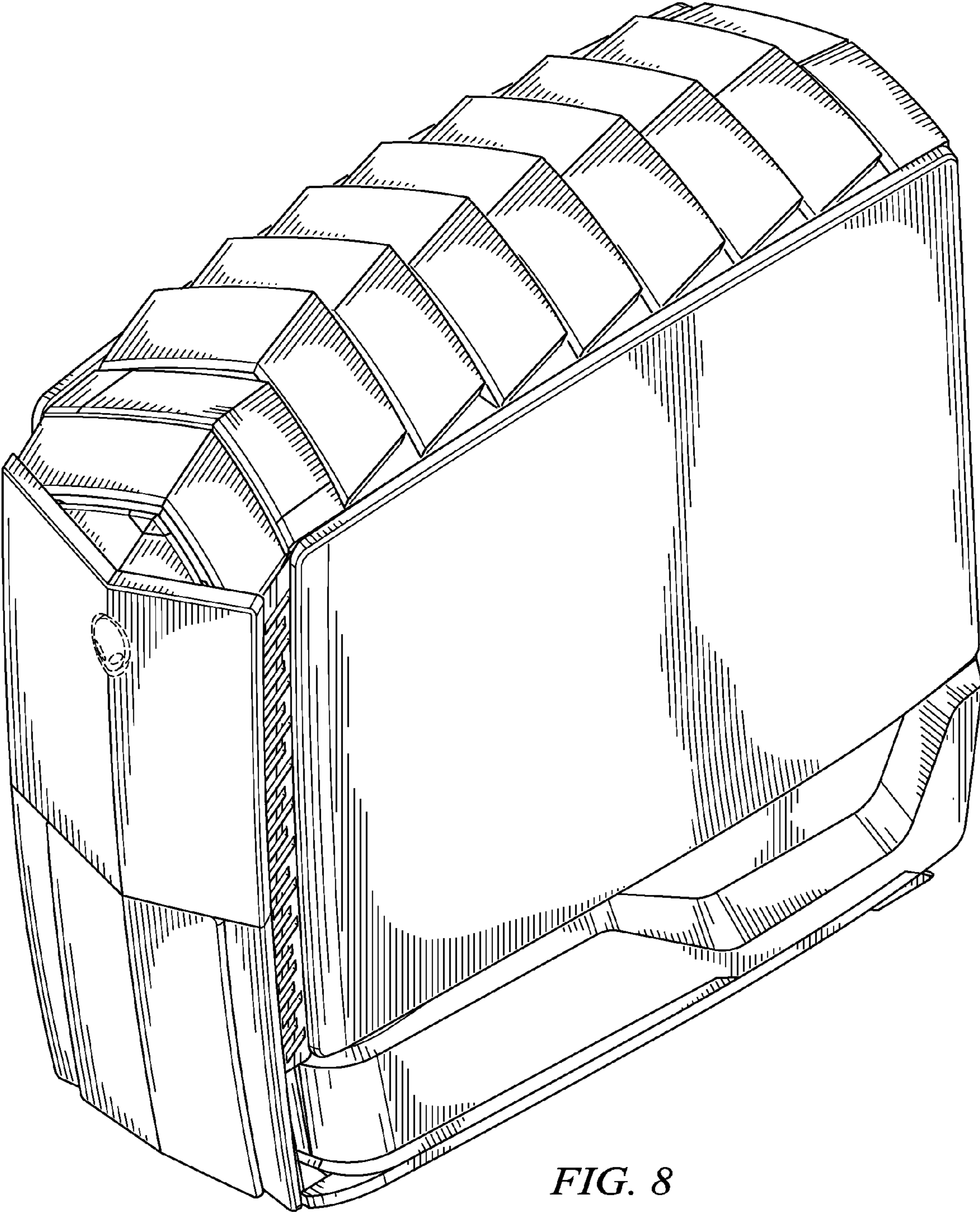


FIG. 8