



US00D614617S

(12) **United States Design Patent**
Pepper et al.

(10) **Patent No.:** **US D614,617 S**
(45) **Date of Patent:** **** Apr. 27, 2010**

- (54) **INTERACTIVE DISPLAY DEVICE**
- (75) Inventors: **Jeffrey A. Pepper**, Oakmont, PA (US);
William M. Bernstein, Pittsburgh, PA (US); **Matt Beale**, Pittsburgh, PA (US)
- (73) Assignee: **Touchtown, Inc.**, Oakmont, PA (US)
- (**) Term: **14 Years**
- (21) Appl. No.: **29/335,623**
- (22) Filed: **Apr. 17, 2009**
- (51) **LOC (9) Cl.** **14-02**
- (52) **U.S. Cl.** **D14/336; D14/371**
- (58) **Field of Classification Search** D14/336,
D14/337, 371, 374, 375, 125-129, 307, 388;
345/104, 156, 168, 169, 173, 87; 348/180,
348/184, 325, 739; 248/917-924; 341/12;
349/1, 2, 11, 62; D18/50; 235/462.43, 462.47;
D13/108; 361/679.27
See application file for complete search history.

- D563,405 S * 3/2008 Taniho et al. D14/336
- D570,345 S * 6/2008 Lee et al. D14/336
- D584,731 S * 1/2009 Montgomery et al. D14/434

* cited by examiner

Primary Examiner—Freda S Nunn

(57) **CLAIM**

The ornamental design for an interactive display device, as shown and described.

DESCRIPTION

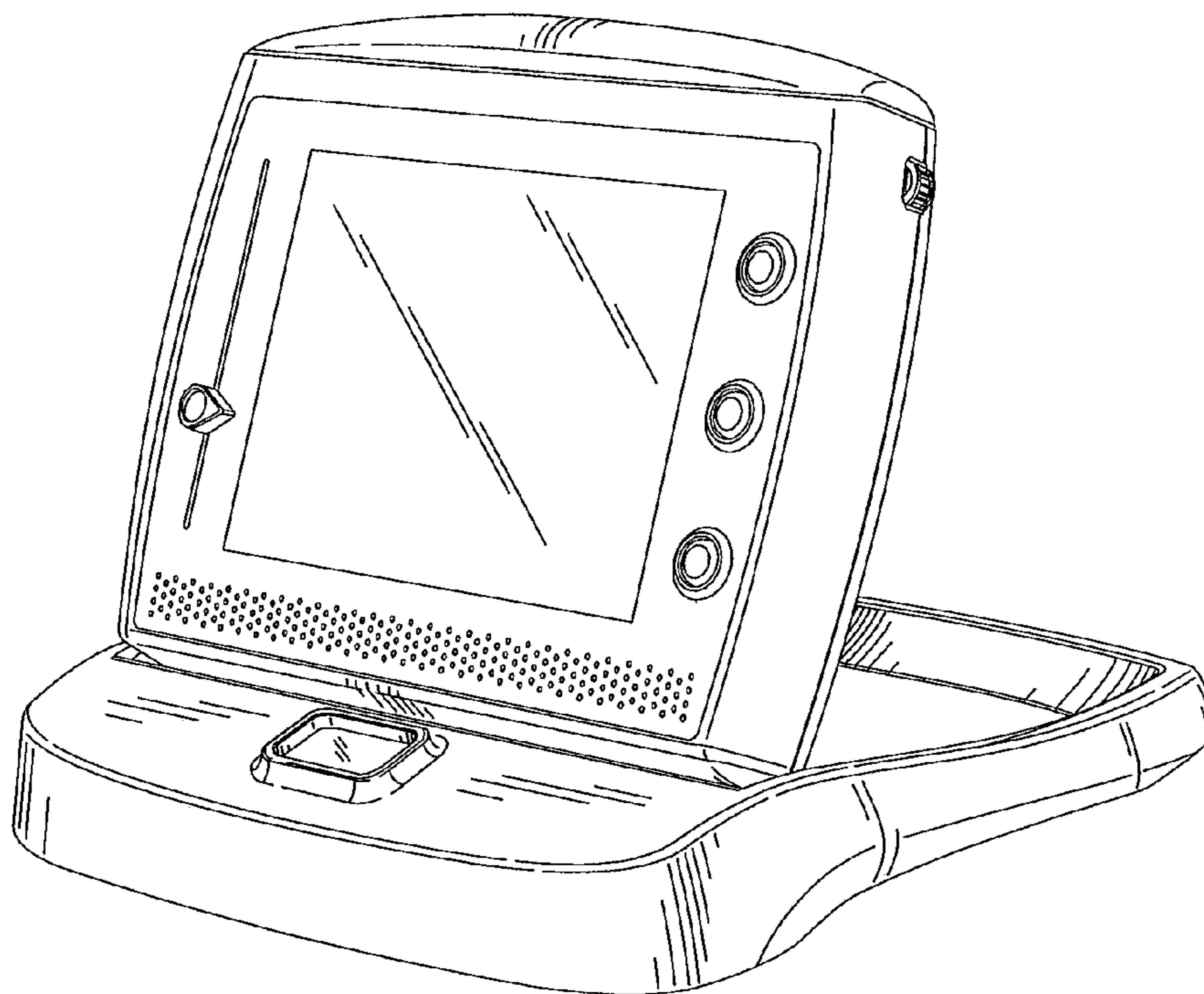
- FIG. 1 is a front perspective view of the interactive display device in an open position;
- FIG. 2 is a top plan view thereof;
- FIG. 3 is a bottom plan view thereof;
- FIG. 4 is a front elevation view thereof;
- FIG. 5 is rear elevation view thereof;
- FIG. 6 is a left elevation view thereof;
- FIG. 7 is a right elevation view thereof;
- FIG. 8 is a front perspective view of the interactive display device in a closed position;
- FIG. 9 is a top plan view thereof.
- FIG. 10 is a bottom plan view thereof;
- FIG. 11 is a front elevation view thereof;
- FIG. 12 is rear elevation view thereof;
- FIG. 13 is a left elevation view thereof; and,
- FIG. 14 is a right elevation view thereof.

(56) **References Cited**

U.S. PATENT DOCUMENTS

- 6,053,411 A * 4/2000 Nugent et al. 235/462.43
- 6,062,478 A * 5/2000 Izaguirre et al. 235/462.47
- D428,863 S * 8/2000 Rahemtulla et al. D14/337
- 6,411,271 B1 * 6/2002 Bang et al. 345/87
- D468,306 S * 1/2003 Tsai D14/337
- D494,176 S * 8/2004 Porter et al. D14/388
- 6,856,506 B2 * 2/2005 Doherty et al. 361/679.27
- D537,440 S * 2/2007 Esplo D14/307
- D558,262 S * 12/2007 Hong et al. D18/50

1 Claim, 7 Drawing Sheets



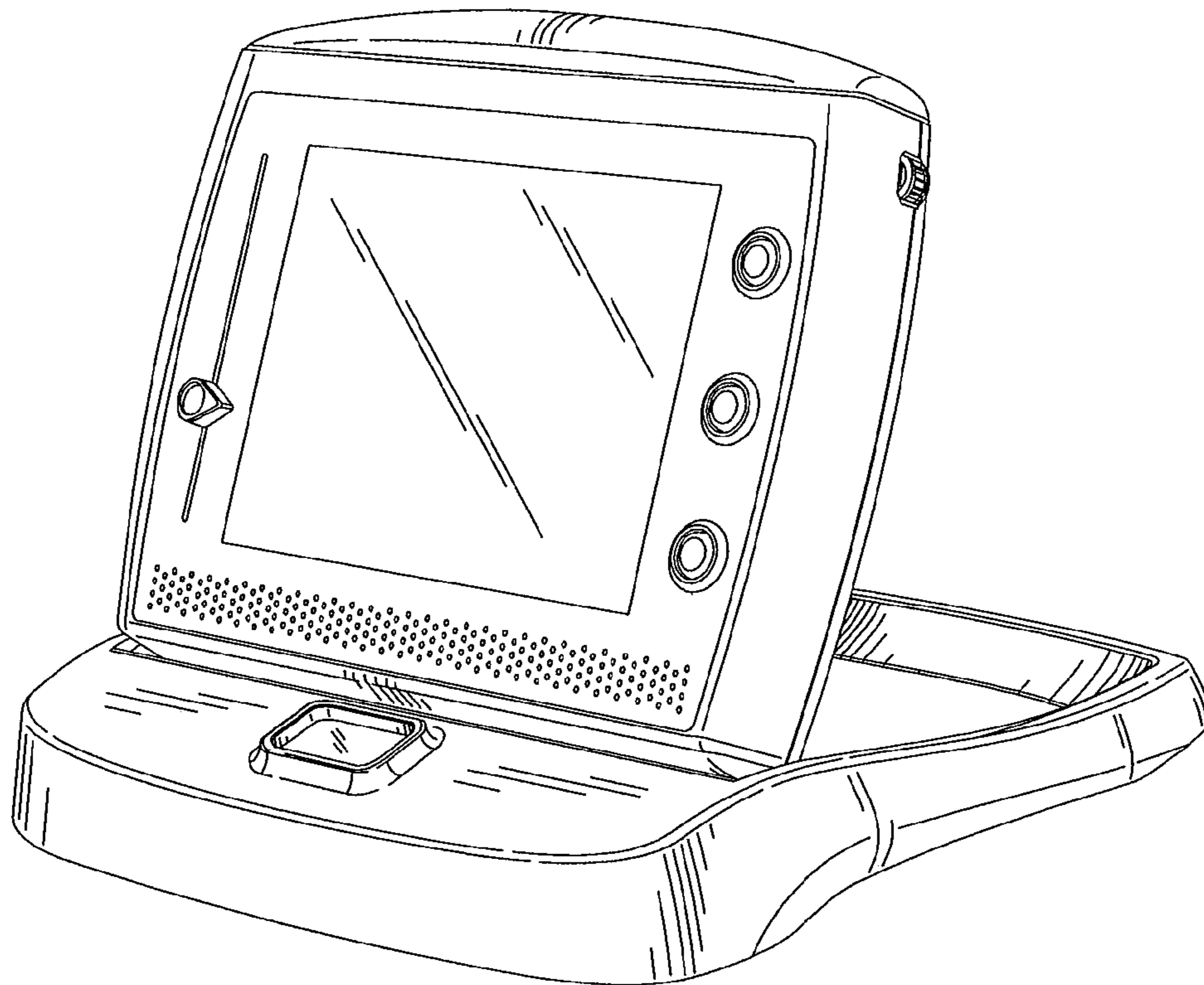


Fig. 1

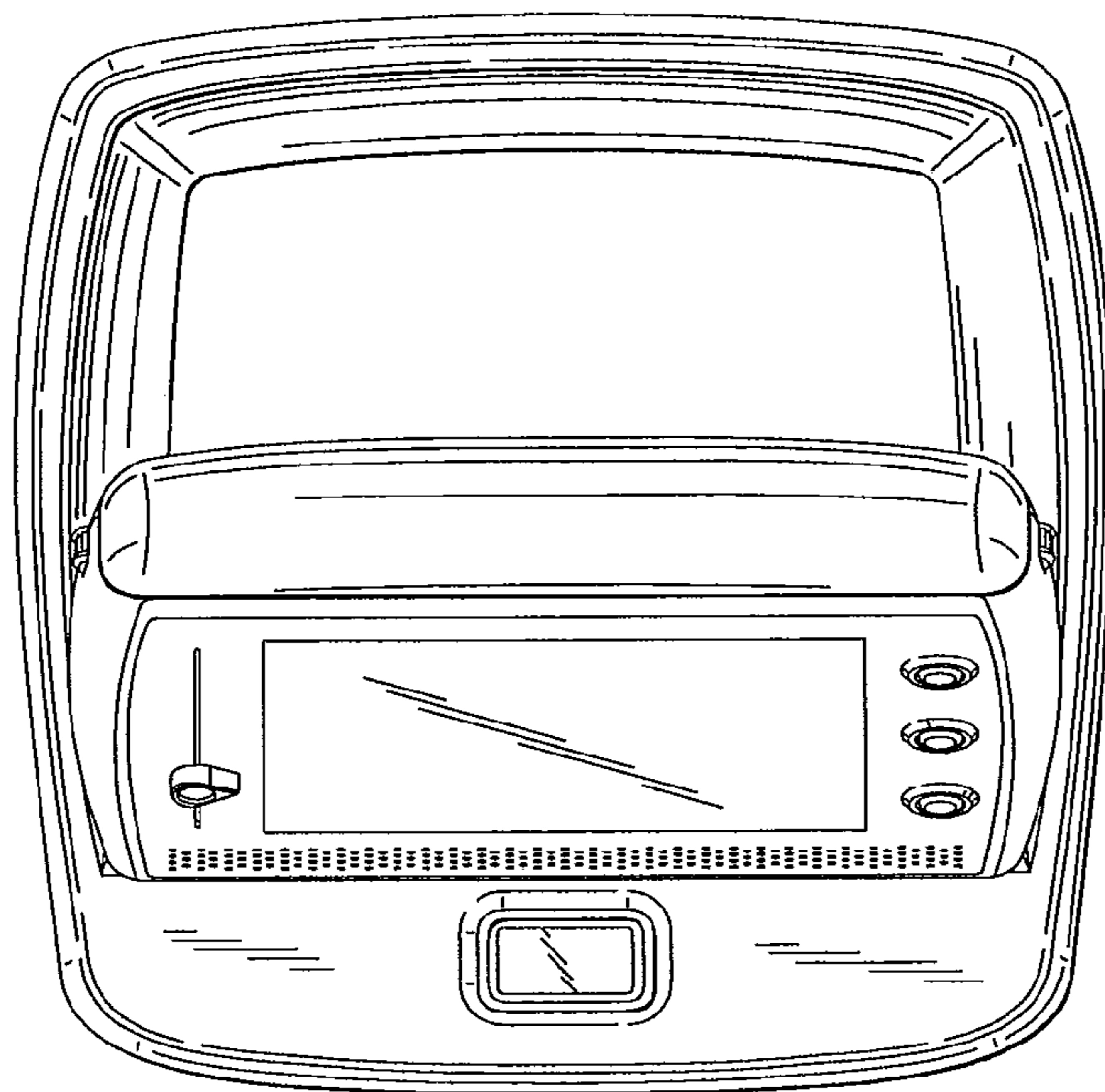


Fig. 2

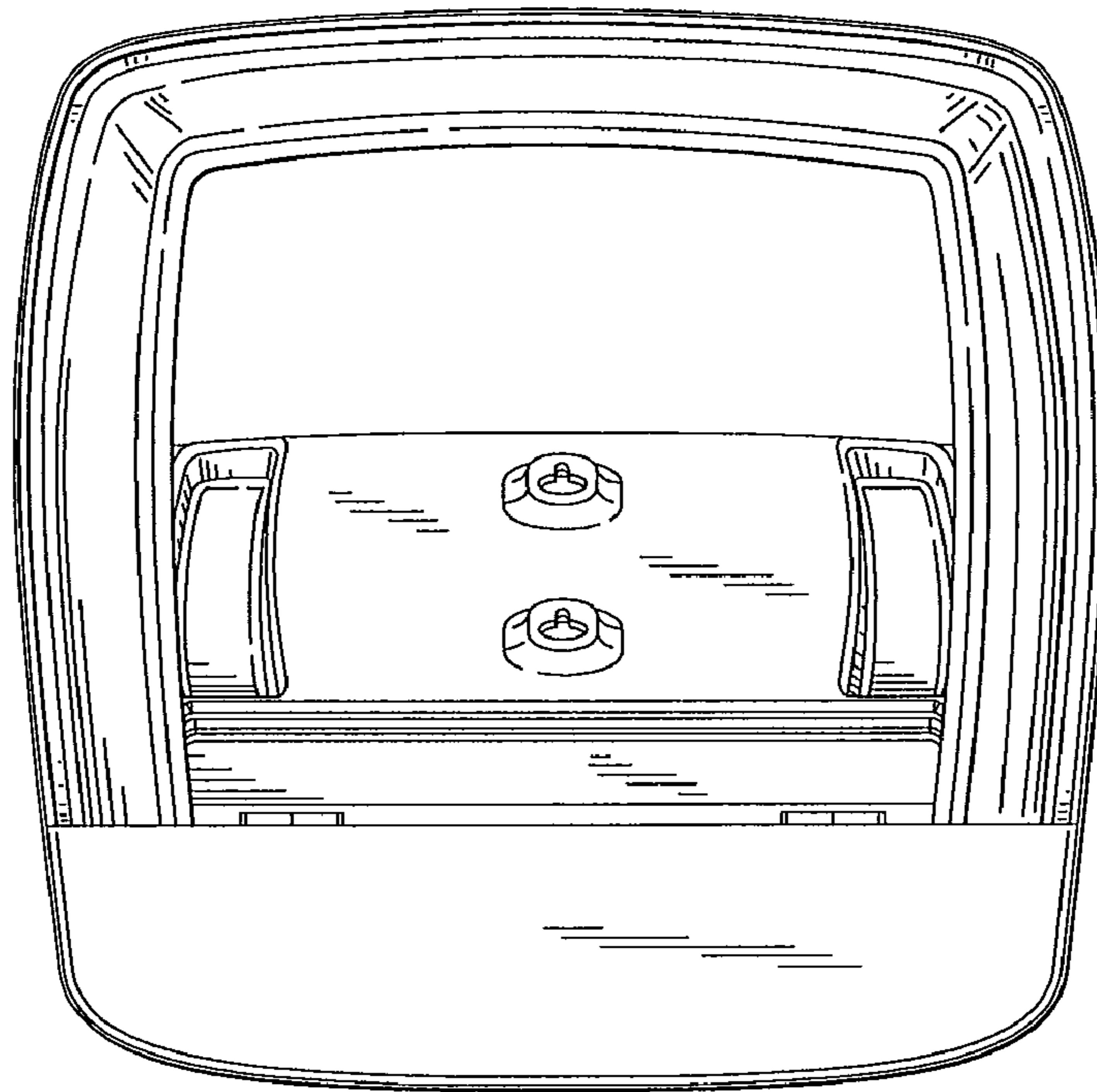


Fig. 3

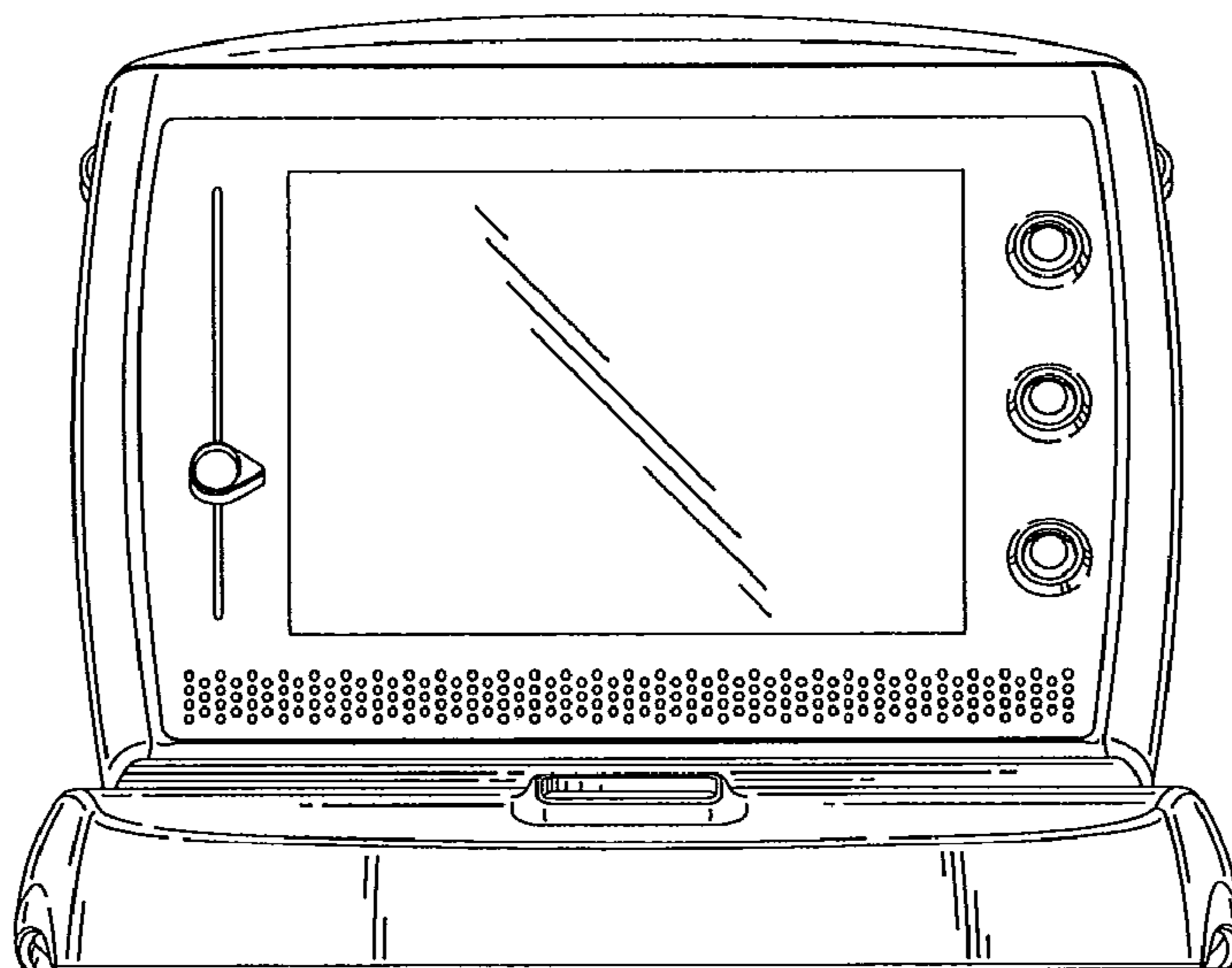


Fig. 4

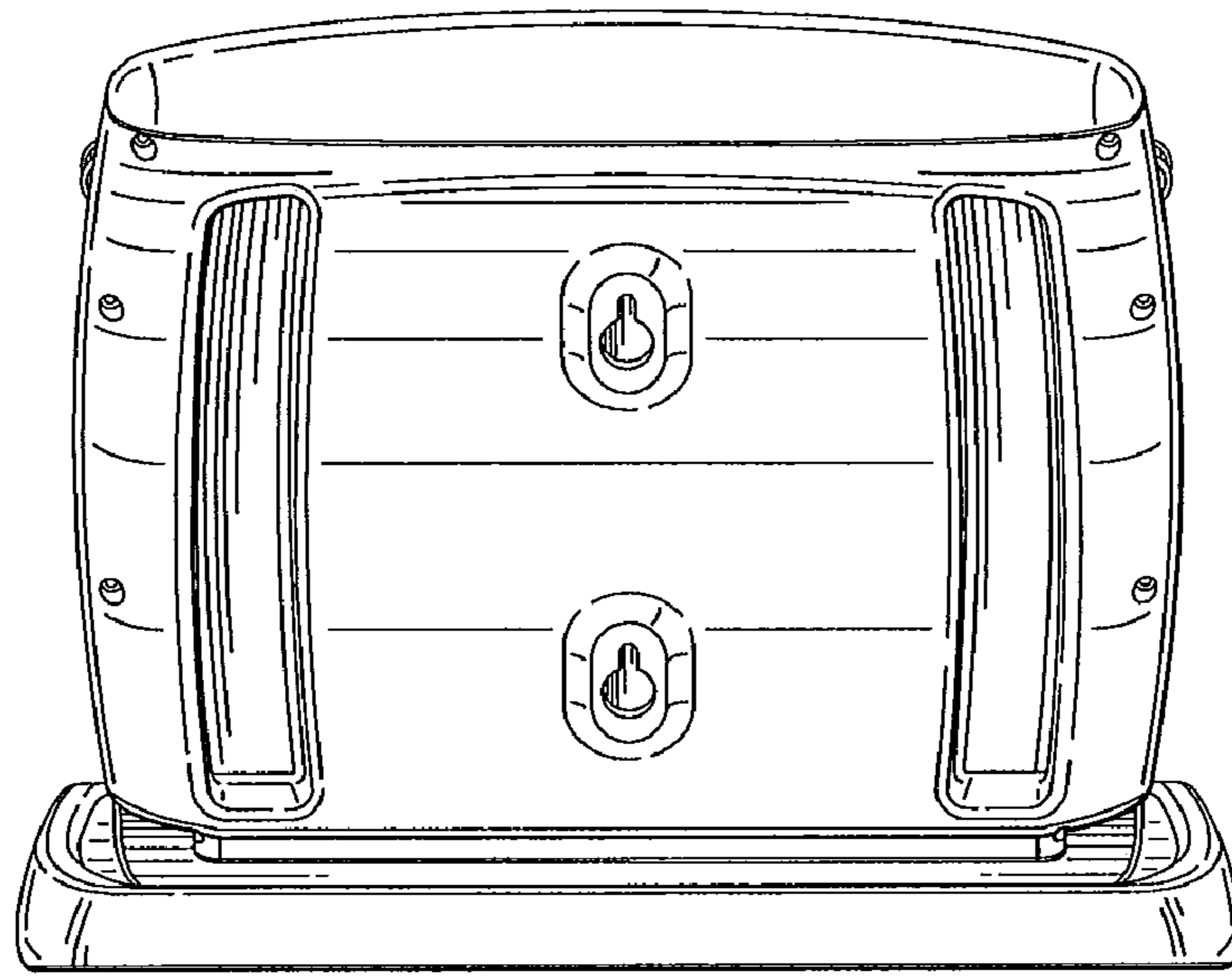


Fig. 5

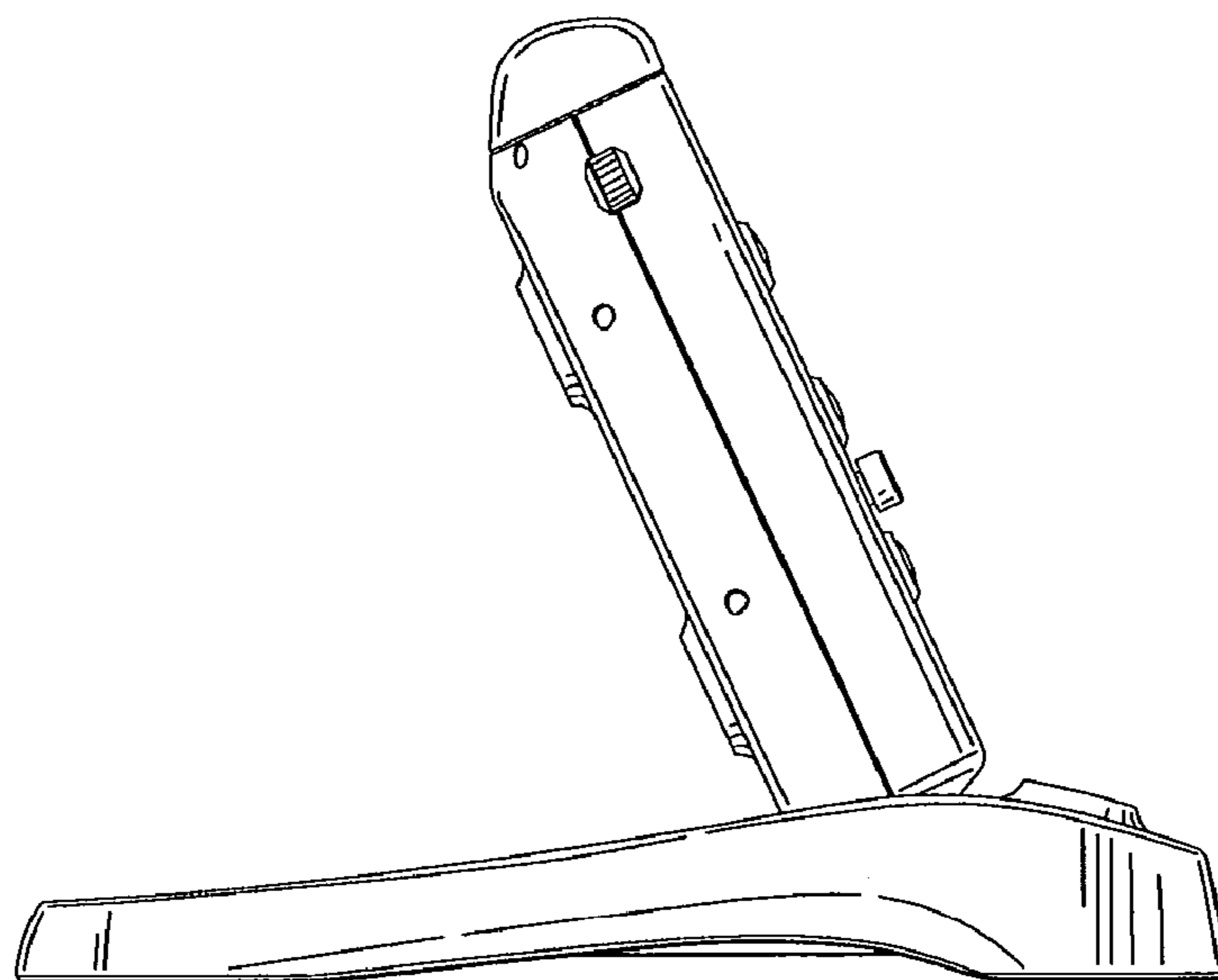


Fig. 6

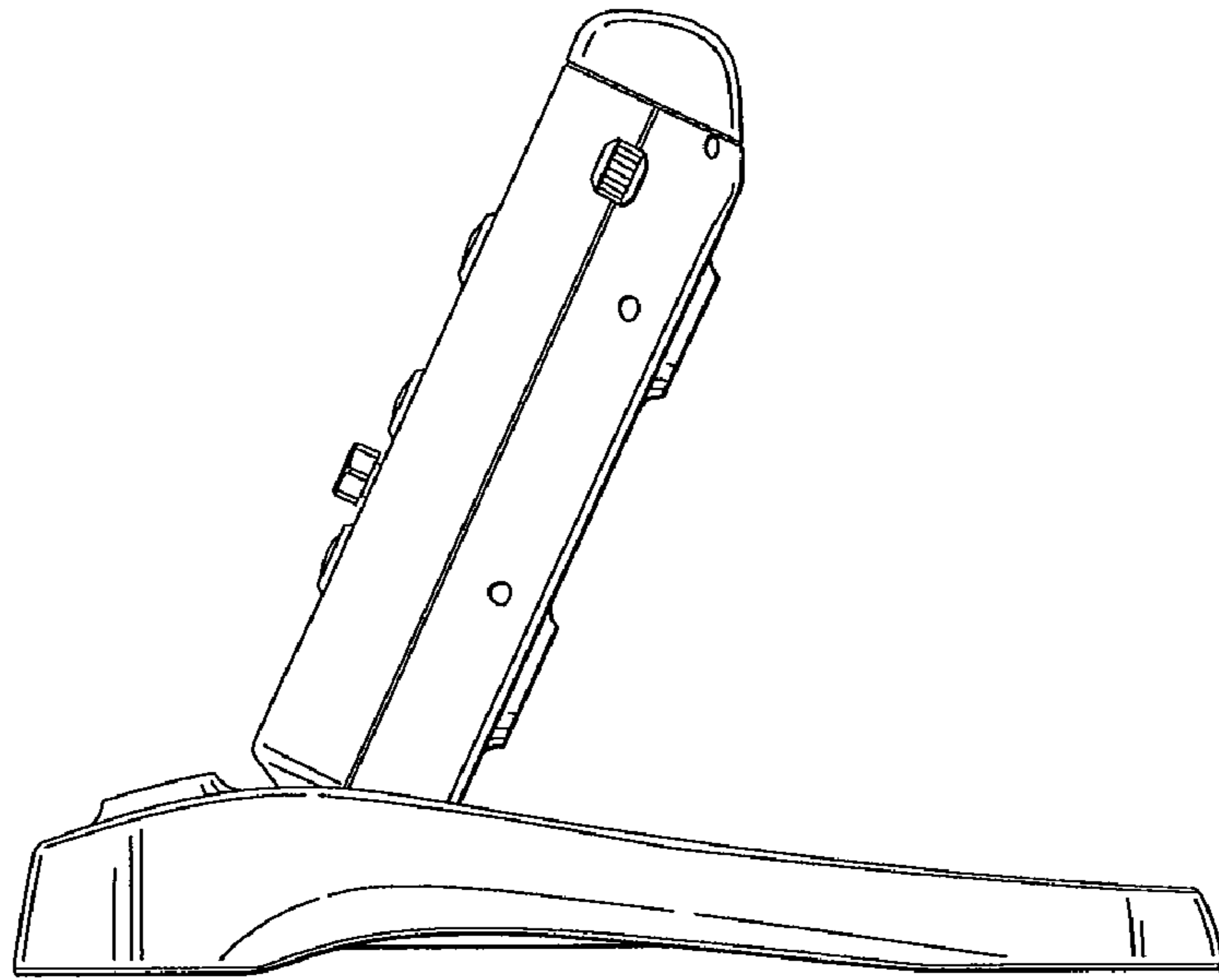


Fig. 7

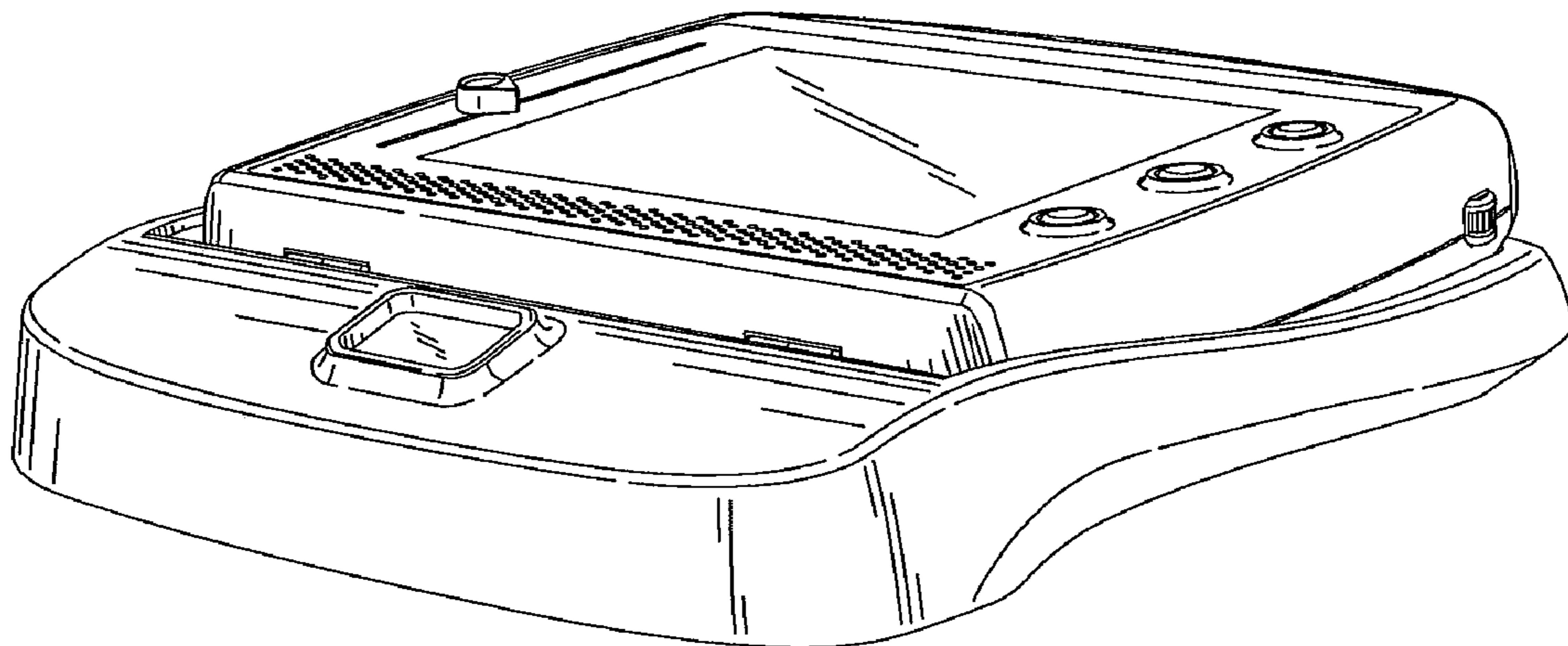


Fig. 8

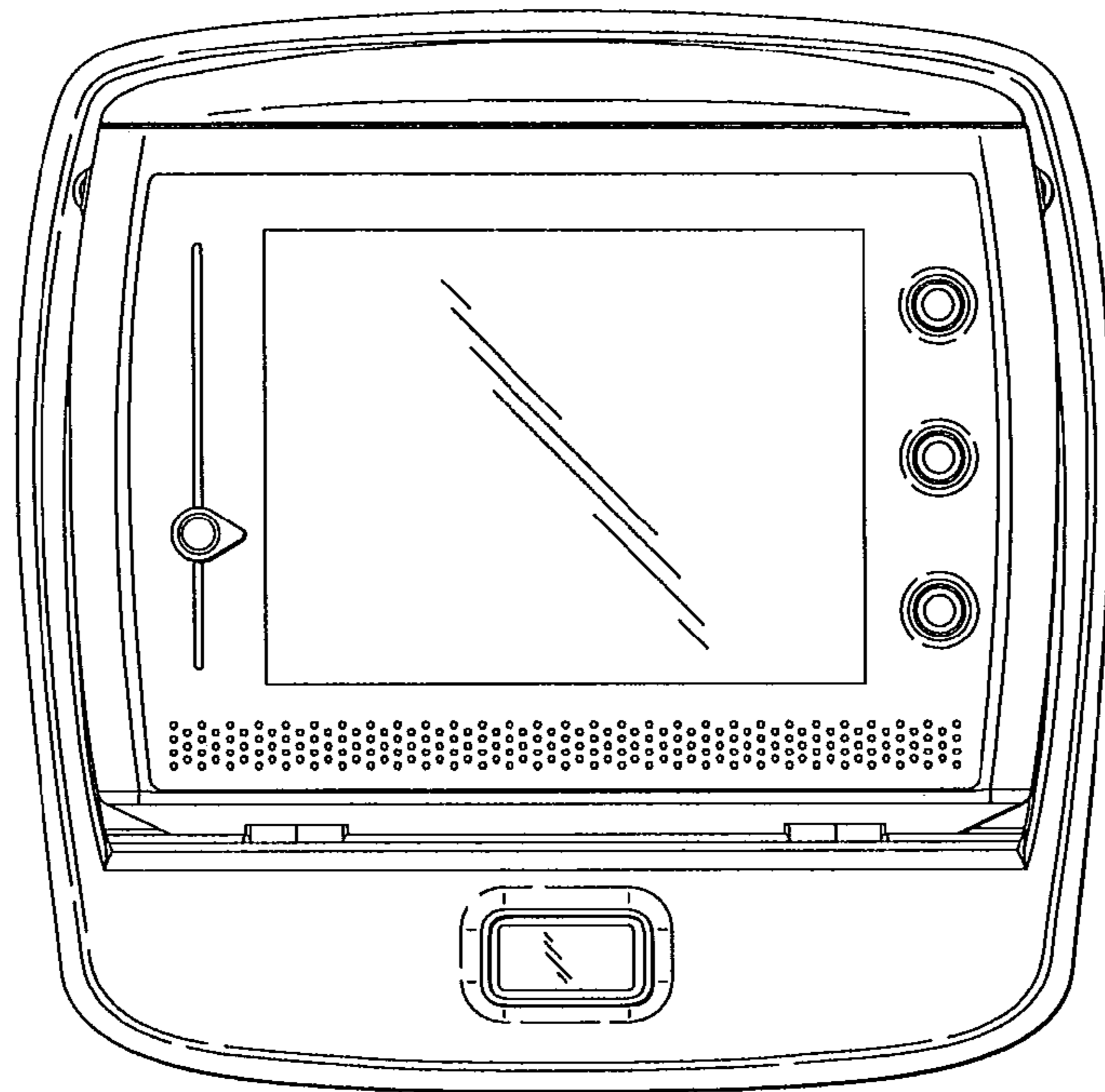


Fig. 9

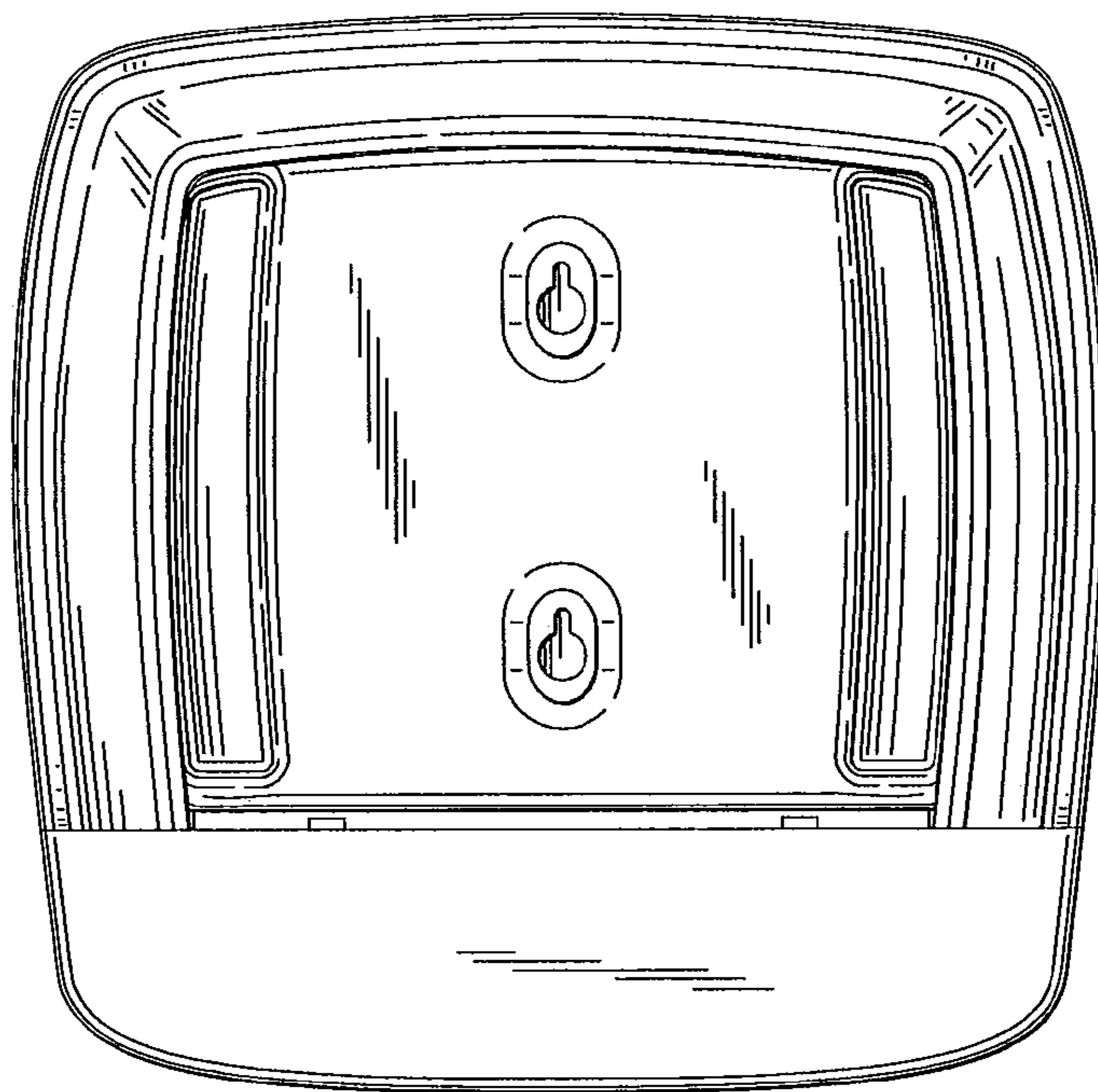


Fig. 10

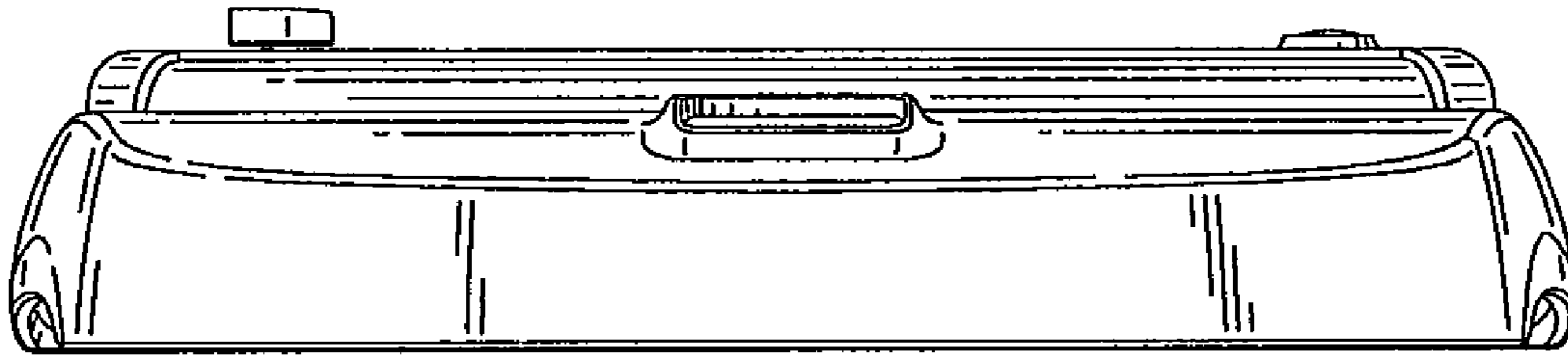


Fig. 11

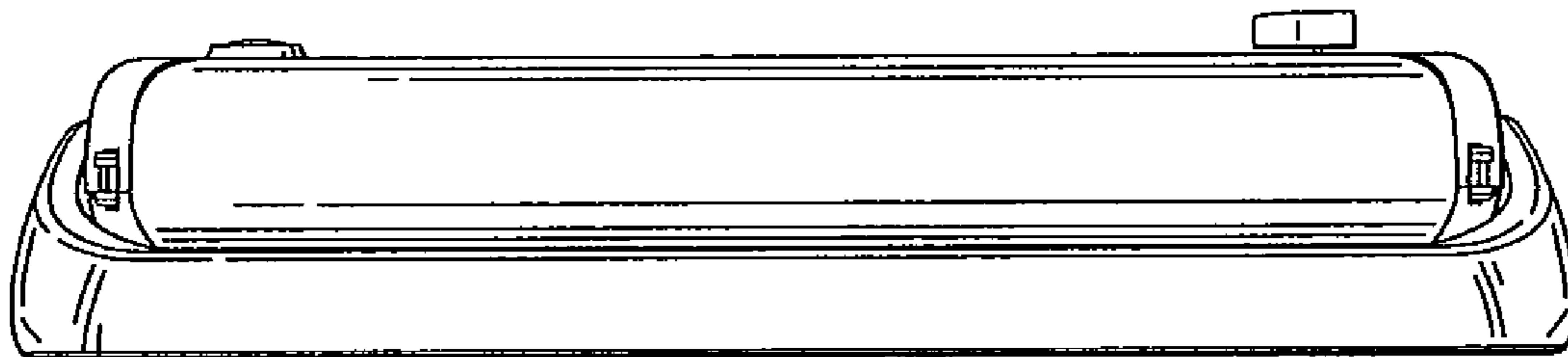


Fig. 12

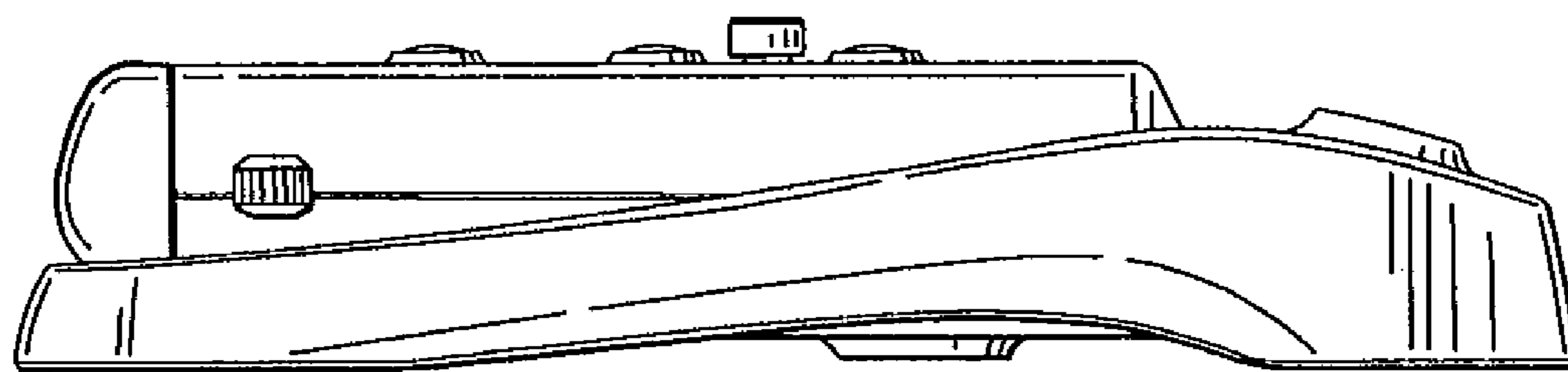


Fig. 13

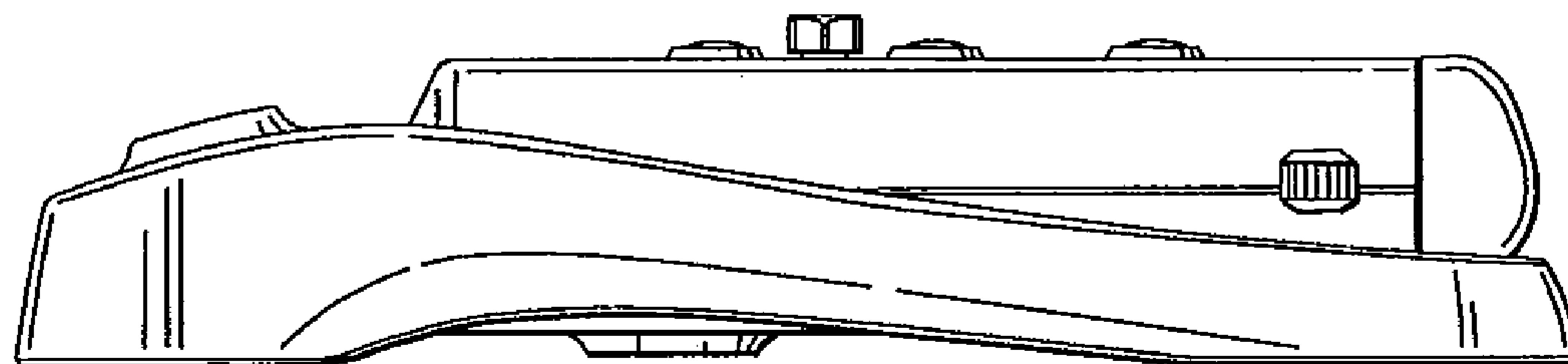


Fig. 14