



US00D614613S

(12) **United States Design Patent**
Kim et al.

(10) **Patent No.:** **US D614,613 S**
(45) **Date of Patent:** **** Apr. 27, 2010**

(54) **HOLDER FOR MOBILE PHONE**
(75) Inventors: **Jin-Nam Kim**, Suwon-Si (KR);
Chol-Ho Hwang, Yongin-Si (KR)
(73) Assignee: **Samsung Electronics Co., Ltd.**,
Suwon-Si (KR)

D580,847 S * 11/2008 Mo D12/415
D590,238 S * 4/2009 Richter D8/363
D590,835 S * 4/2009 Richter D14/447
D592,205 S * 5/2009 O'Brien D14/253

(**) Term: **14 Years**
(21) Appl. No.: **29/340,818**
(22) Filed: **Jul. 27, 2009**

(Continued)

OTHER PUBLICATIONS

RAM Mount AMPS 4 Hole Plate Locking Suction Cup Mount,
<URL:http://www.gpscocity.com/ram-mount-amps-4-hole-plate-
locking-suction-cup-mount.html>, retrieved from internet Dec. 5,
2009.*

(30) **Foreign Application Priority Data**
May 29, 2009 (KR) 30-2009-0023381

Primary Examiner—Ian Simmons
Assistant Examiner—Carla Jobe Wright
(74) *Attorney, Agent, or Firm*—Staas & Halsey LLP

(51) **LOC (9) Cl.** **14-03**
(52) **U.S. Cl.** **D14/253**
(58) **Field of Classification Search** D14/149,
D14/250–253, 299, 452, 454, 447; D8/355,
D8/363, 373, 380; D12/415, 425; 248/206.2–206.4,
248/220.21, 279.1, 121, 131, 157; 379/426,
379/446, 454, 455, 449; 224/571; D6/466,
D6/467

(57) **CLAIM**

The ornamental design for a holder for mobile phone, as
shown and described.

See application file for complete search history.

DESCRIPTION

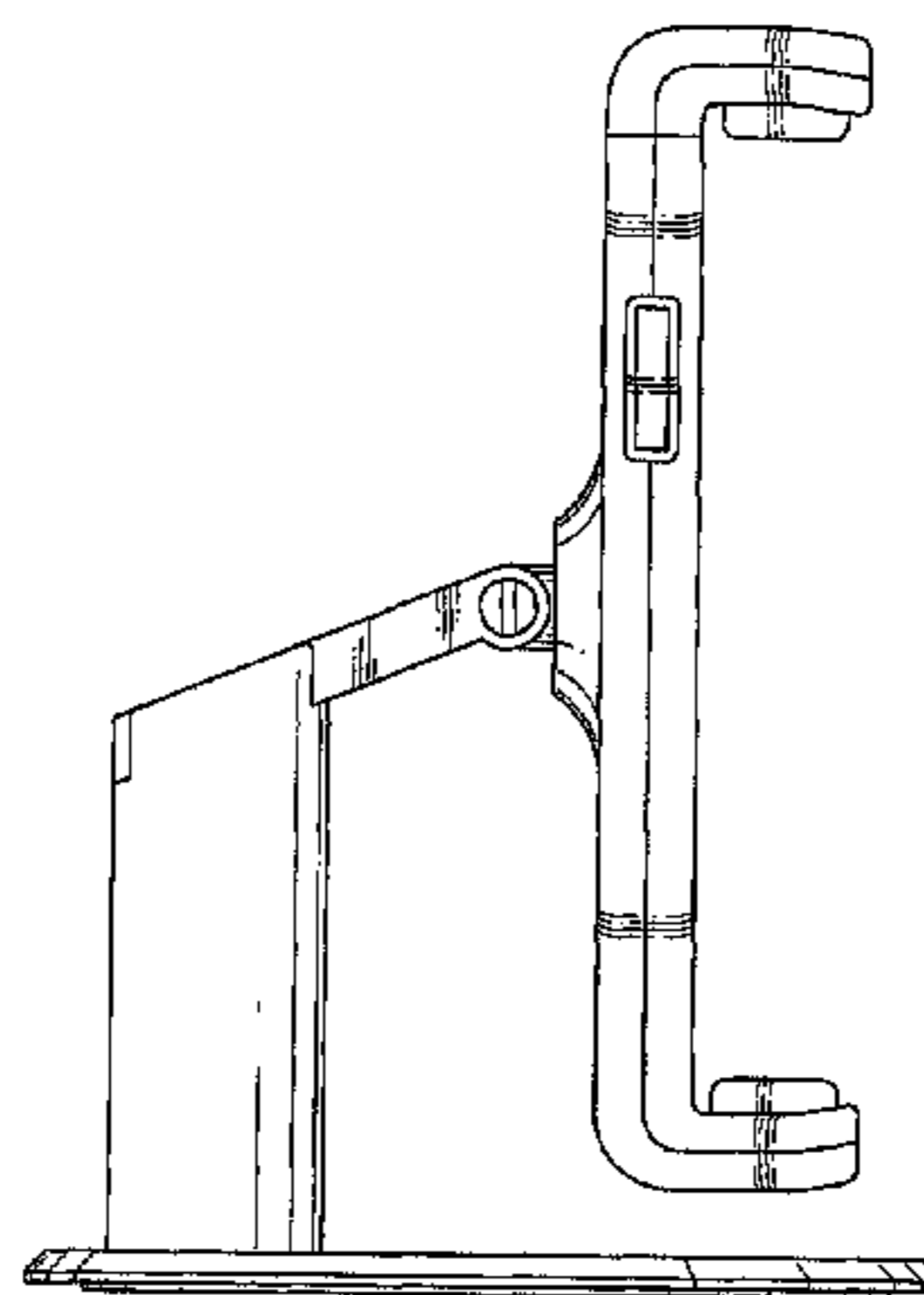
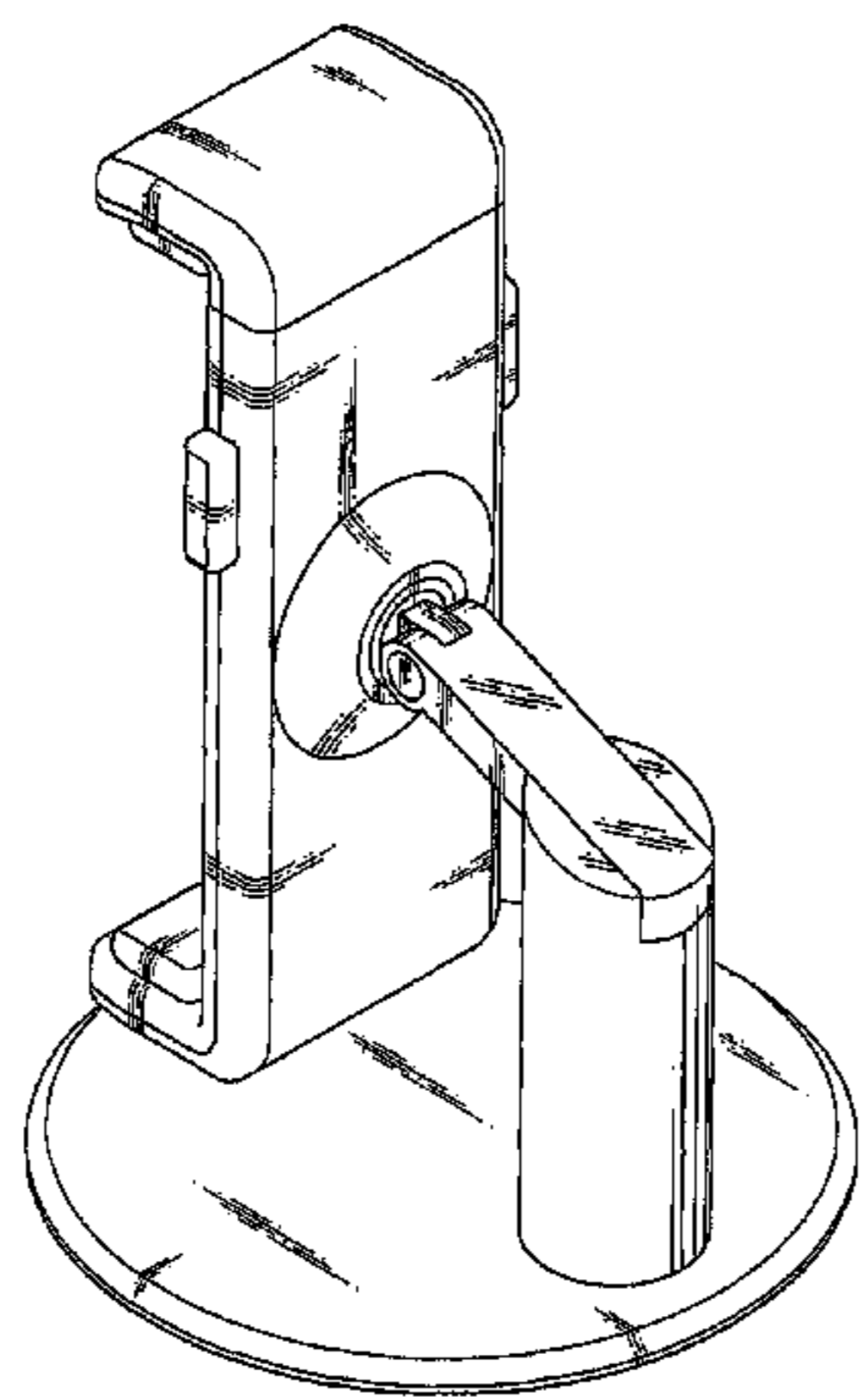
(56) **References Cited**

U.S. PATENT DOCUMENTS

D49,679 S * 9/1916 Standish D14/253
D269,945 S * 8/1983 Carney D8/355
4,923,154 A * 5/1990 Konkel 248/131
D314,771 S * 2/1991 Kirchner et al. D14/251
5,187,744 A * 2/1993 Richter 379/449
5,961,016 A * 10/1999 Hartmann et al. 224/571
D423,821 S * 5/2000 Crump D6/466
D487,270 S * 3/2004 Richter D14/447
D522,843 S * 6/2006 Richter D8/363
D545,826 S * 7/2007 Richter D14/447
D549,709 S * 8/2007 Richter D14/447
D560,592 S * 1/2008 Brassard D12/415
D566,647 S * 4/2008 Lee D12/415
D570,836 S * 6/2008 Chen D14/253
D576,631 S * 9/2008 Richter D14/447

FIG. 1 is a front perspective view of a holder for mobile
phone;
FIG. 2 is a front view of the holder for mobile phone of FIG.
1;
FIG. 3 is a rear view of the holder for mobile phone of FIG. 1;
FIG. 4 is a left-side view of the holder for mobile phone of
FIG. 1;
FIG. 5 is a right-side view of the holder for mobile phone of
FIG. 1;
FIG. 6 is a top plan view of the holder for mobile phone of
FIG. 1; and,
FIG. 7 is a bottom plan view of the holder for mobile phone of
FIG. 1.

1 Claim, 6 Drawing Sheets



US D614,613 S

Page 2

U.S. PATENT DOCUMENTS		2004/0011932 A1*	1/2004	Duff	248/157
D592,206 S *	5/2009 O'Brien	D14/253	2006/0113434 A1*	6/2006 Richter	248/121
D603,322 S *	11/2009 Nieceja	D12/415	* cited by examiner		

FIG. 1

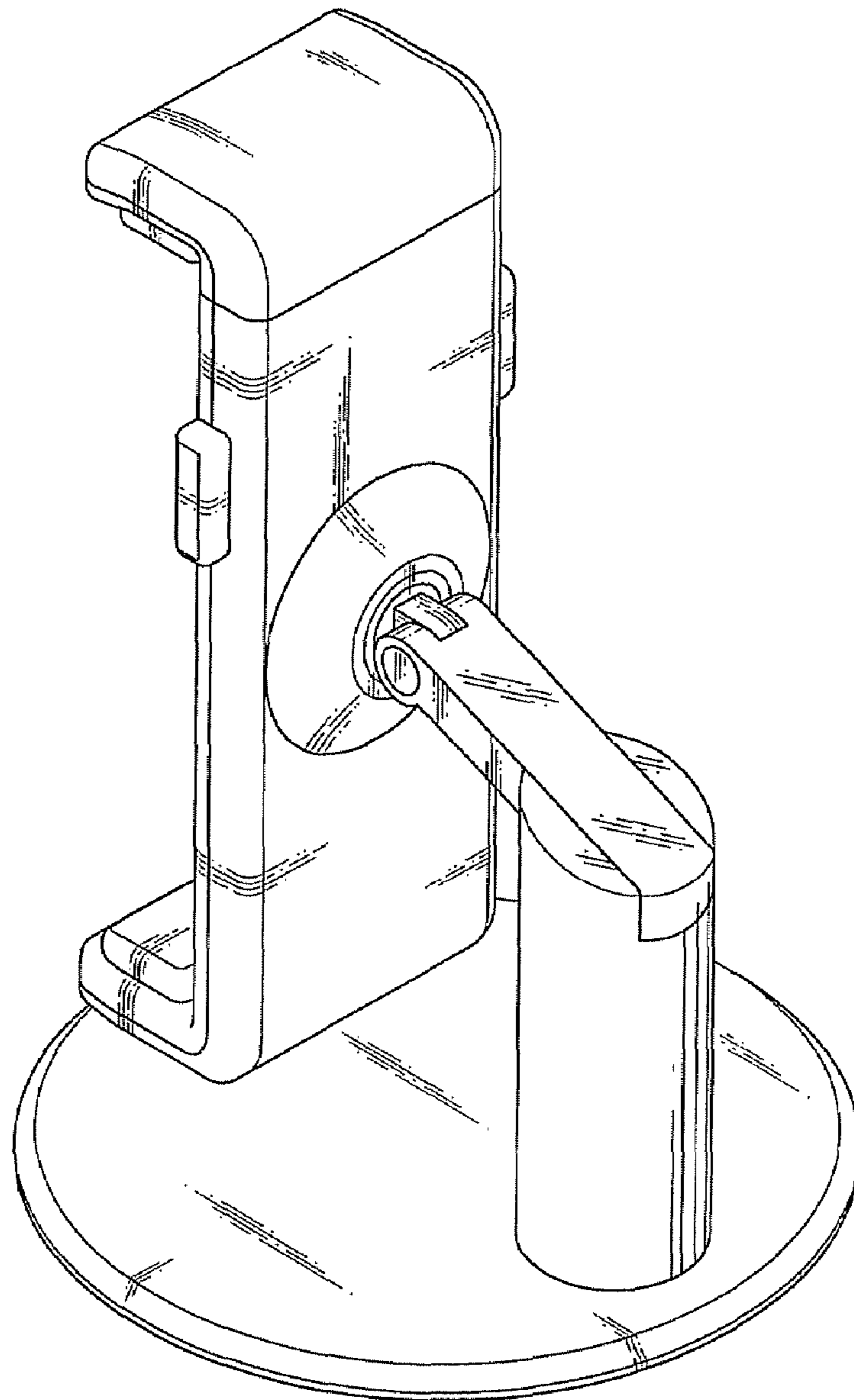


FIG. 2

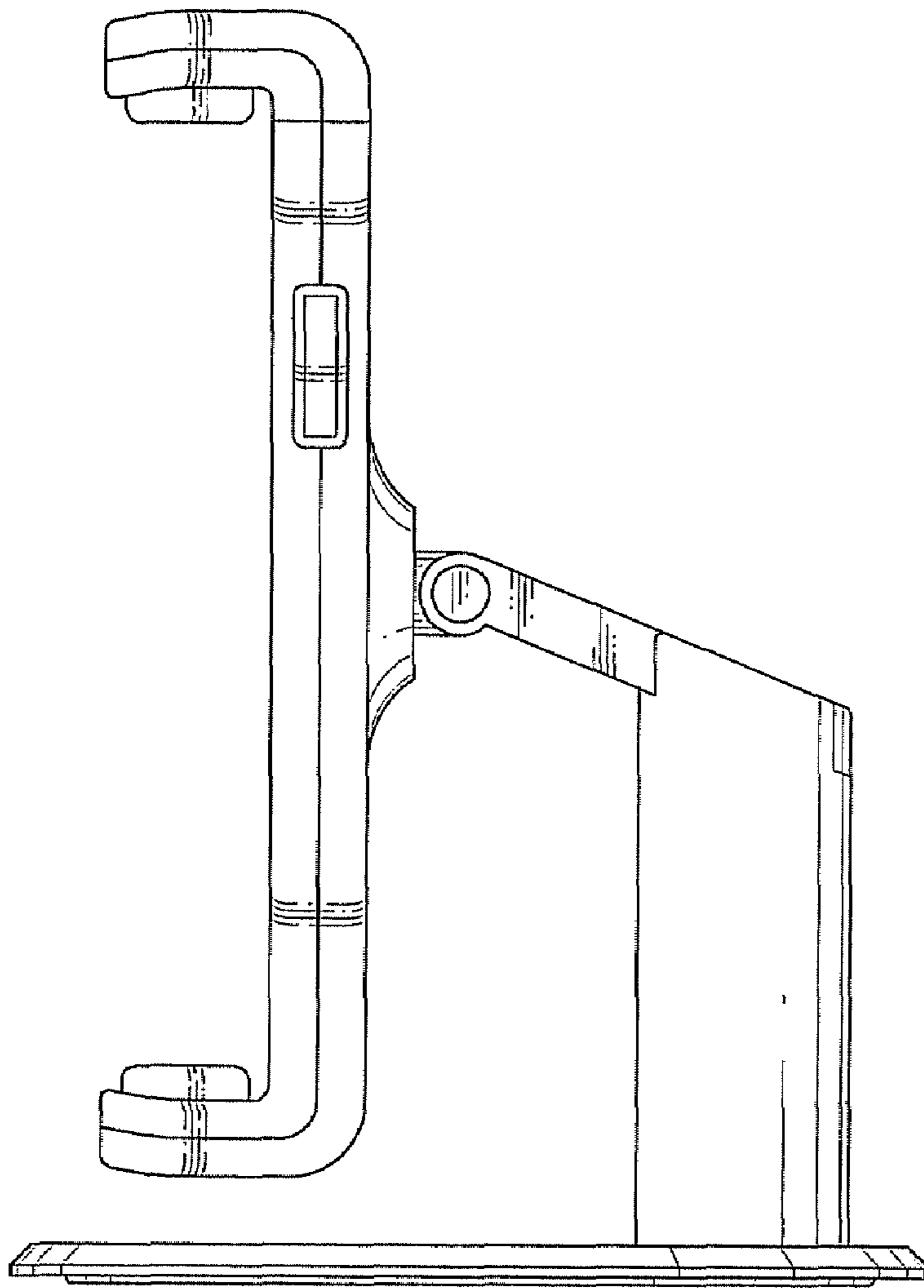


FIG. 3

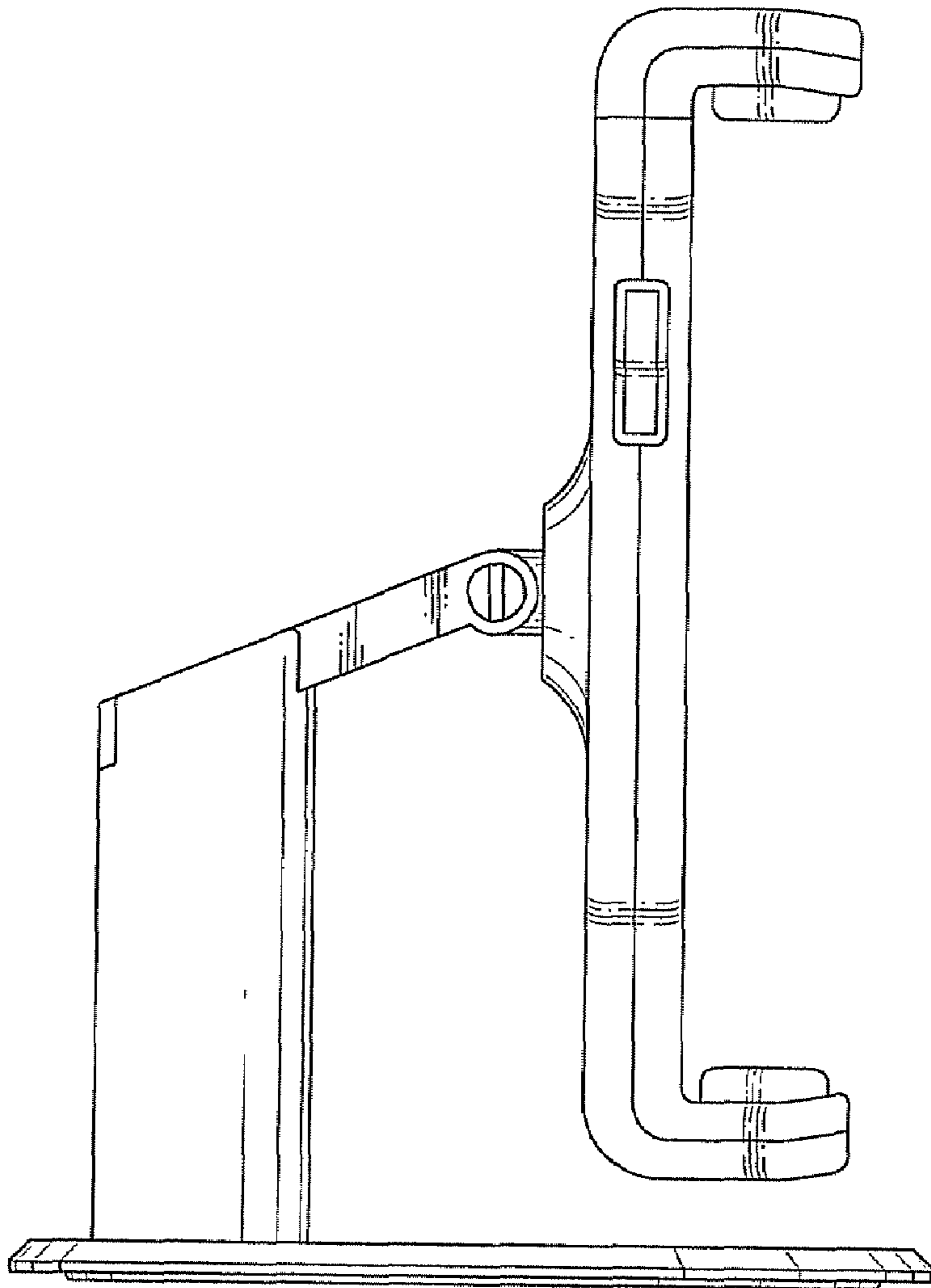


FIG. 4

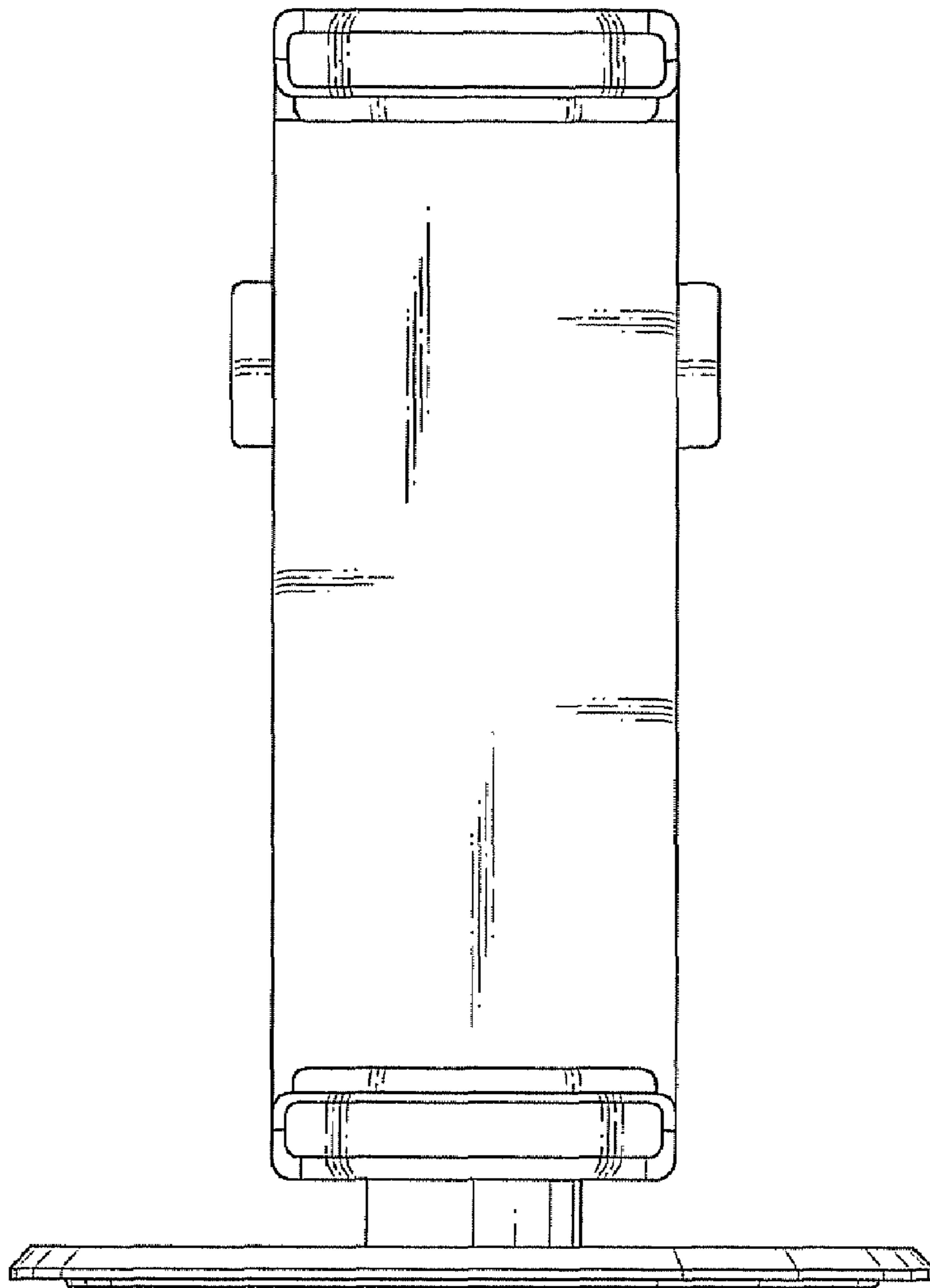


FIG. 5

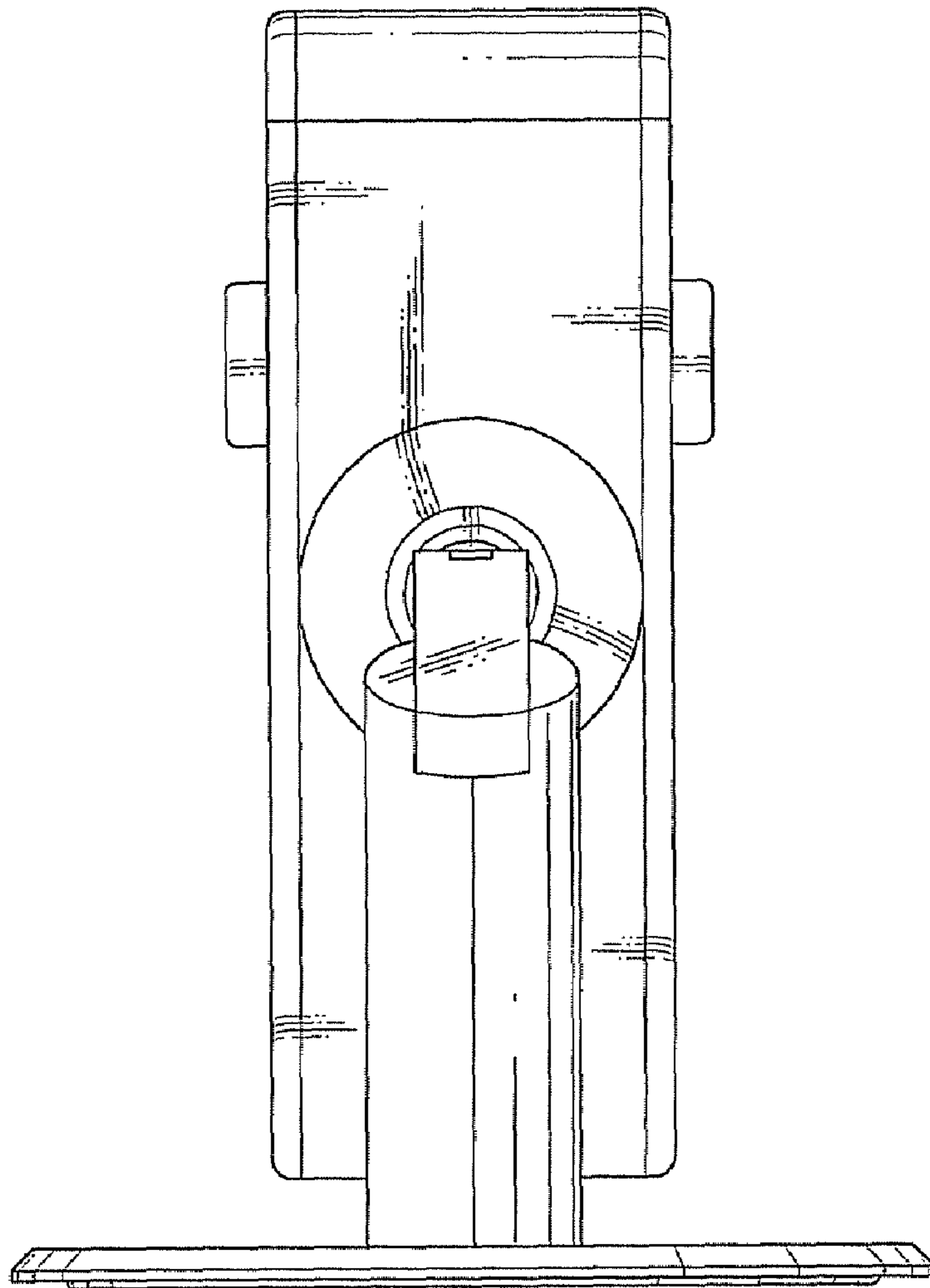


FIG. 6

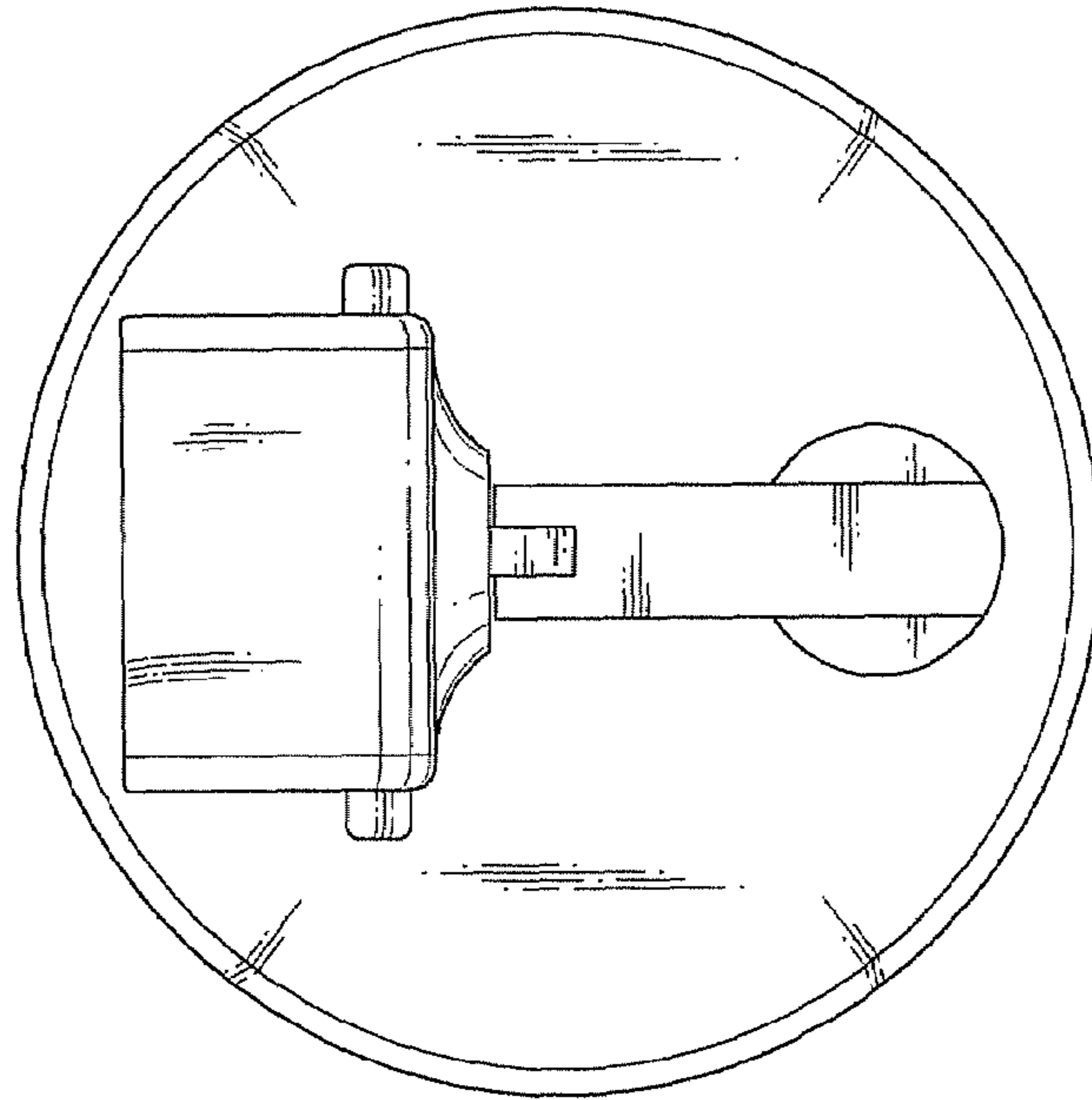


FIG. 7

