



US00D614611S

(12) **United States Design Patent**
Leung

(10) **Patent No.:** **US D614,611 S**

(45) **Date of Patent:** **** Apr. 27, 2010**

(54) **TV MOUNT**

(76) **Inventor:** **Alex Leung**, Rm. 2305-6, 23/F, Olympia Plaza, 255 Kings Rd., North Point (HK)

(**) **Term:** **14 Years**

(21) **Appl. No.:** **29/345,980**

(22) **Filed:** **Oct. 23, 2009**

(51) **LOC (9) Cl.** **14-03**

(52) **U.S. Cl.** **D14/239**

(58) **Field of Classification Search** D14/125-134, D14/239, 371, 136, 374-377; D8/363, 373, D8/349, 394; 248/465, 917-924, 123.11; 348/825, 827, 836, 837, 838, 180, 184, 325, 348/739; 600/443; D6/477-479, 407, 474, D6/460, 461, 468; 312/7.2; 341/12; 345/87, 345/104, 133, 156, 168, 169, 173; 720/605, 720/669, 600, 655; 369/99, 197; 455/344-347; 349/1, 2, 11, 62; 108/59, 91, 92, 96; 211/40, 211/41.12, 42, 49.1, 50, 85.2, 90.04, 187, 211/190, 119.003, 134.153, 87.01, 71.01

See application file for complete search history.

D560,671 S	1/2008	Muday	
D560,672 S	1/2008	Muday	
D561,562 S	2/2008	Wohlford	
D563,416 S	3/2008	Bremmon	
D563,962 S	3/2008	Grey	
D565,054 S	3/2008	Anderson	
D570,355 S	6/2008	Muday	
D570,852 S	6/2008	Muday	
D574,698 S	8/2008	Grey	
D582,401 S	* 12/2008	Stenhouse et al.	D14/239
D585,449 S	1/2009	Anderson	
D587,694 S	* 3/2009	Sculler et al.	D14/239
D588,118 S	* 3/2009	Townsend et al.	D14/239
D594,001 S	* 6/2009	Sexton	D14/239
D605,185 S	* 12/2009	Russell et al.	D14/239

* cited by examiner

Primary Examiner—Raphael Barkai
Assistant Examiner—Randall H Gholson
(74) *Attorney, Agent, or Firm*—QuickPatents, Inc.; Kevin Prince

(57) **CLAIM**

What is claimed is the ornamental design for a TV mount, as shown and described.

(56) **References Cited**

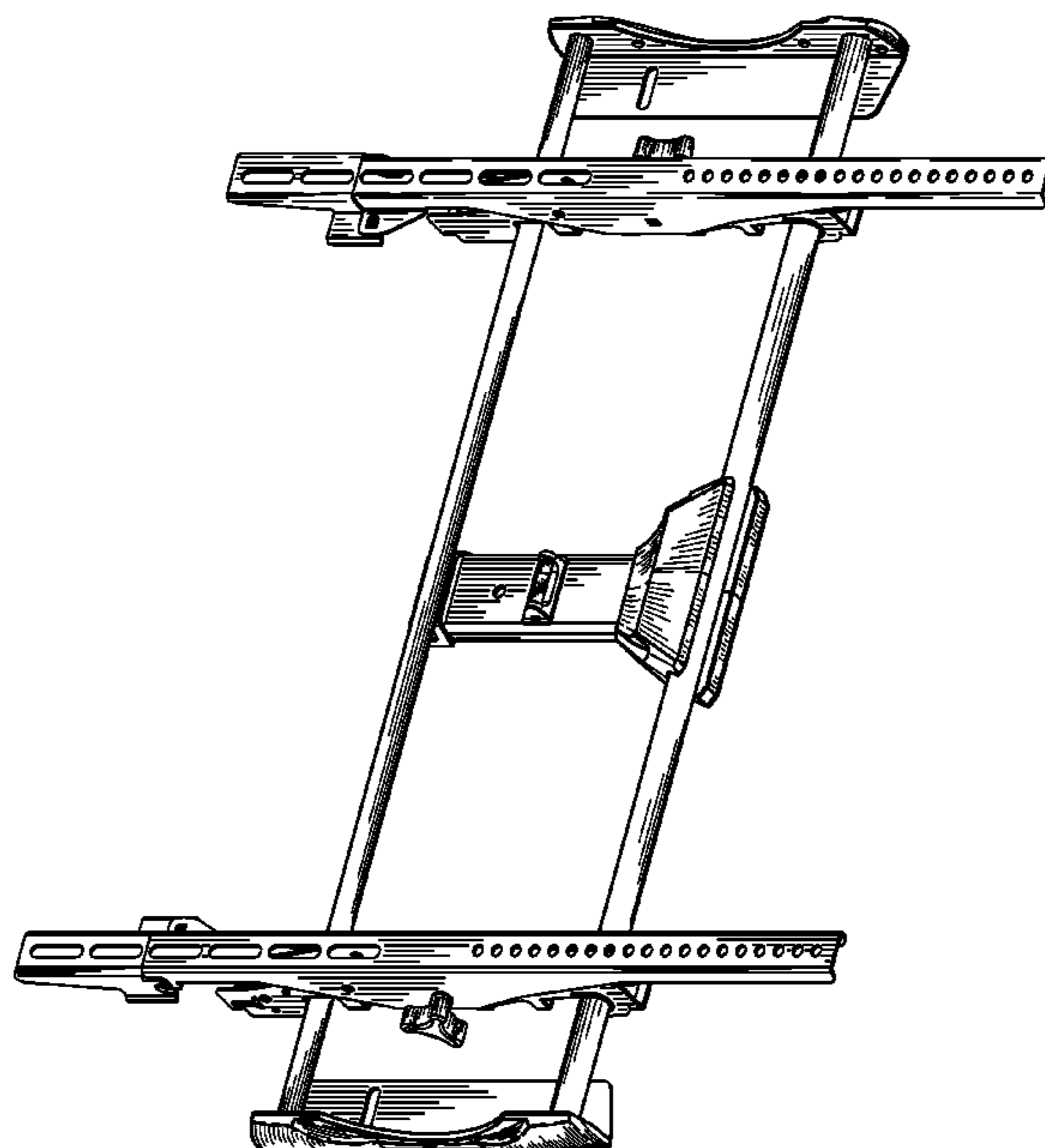
U.S. PATENT DOCUMENTS

D493,800 S	8/2004	Pfister	
D497,537 S	10/2004	O'Keene	
D530,595 S	10/2006	Lam	
D532,290 S	11/2006	David	
D538,140 S	3/2007	Ly Hau	
D538,632 S	3/2007	Ly Hau	
D539,125 S	3/2007	Ly Hau	
D539,126 S	3/2007	Stenhouse	
D539,637 S	* 4/2007	Ly Hau et al.	D8/373
D540,154 S	4/2007	Bremmon	
D553,125 S	10/2007	Ly Hau	

DESCRIPTION

FIG. 1 is a perspective view of a TV mount, showing the new design;
FIG. 2 is a front elevational view thereof;
FIG. 3 is a rear elevational view thereof;
FIG. 4 is a left-side elevational view thereof, the right-side elevational view being a mirror image thereof;
FIG. 5 is a top plan view thereof; and,
FIG. 6 is a bottom plan view thereof.

1 Claim, 3 Drawing Sheets



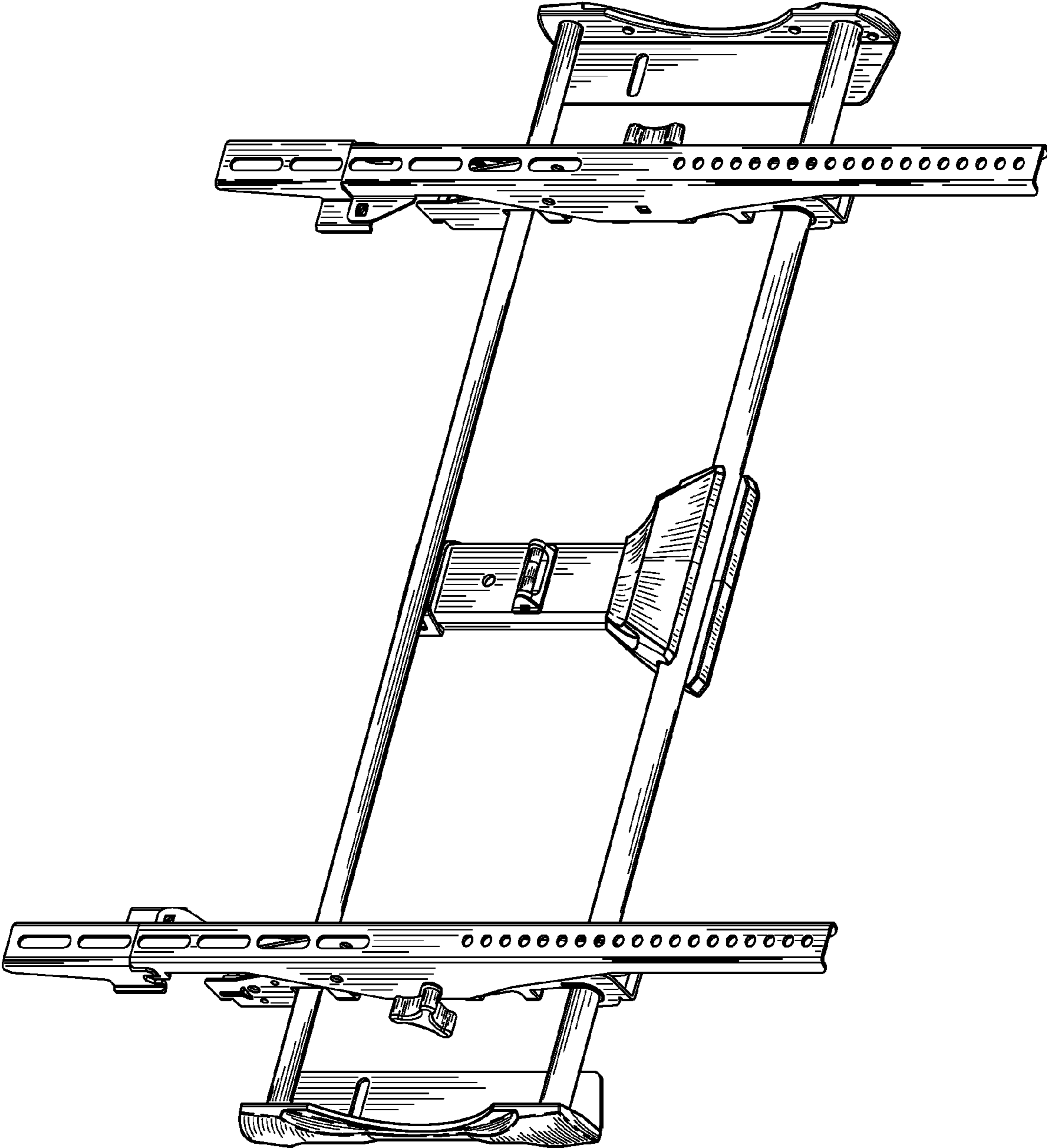


FIG. 1

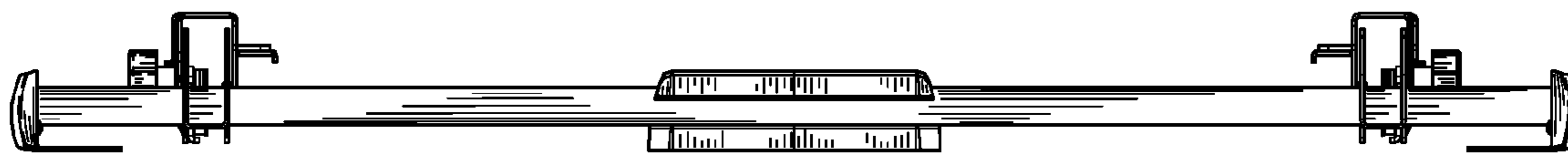


FIG. 2

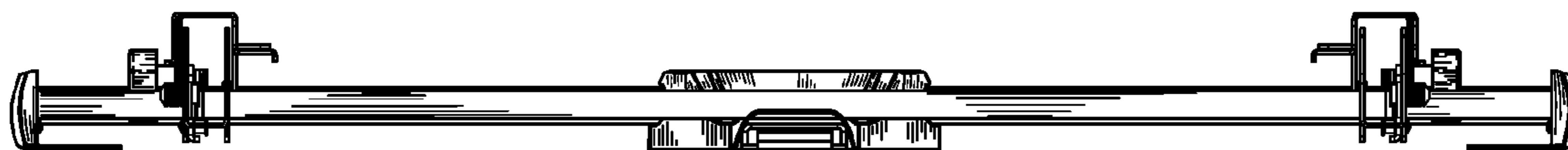


FIG. 3

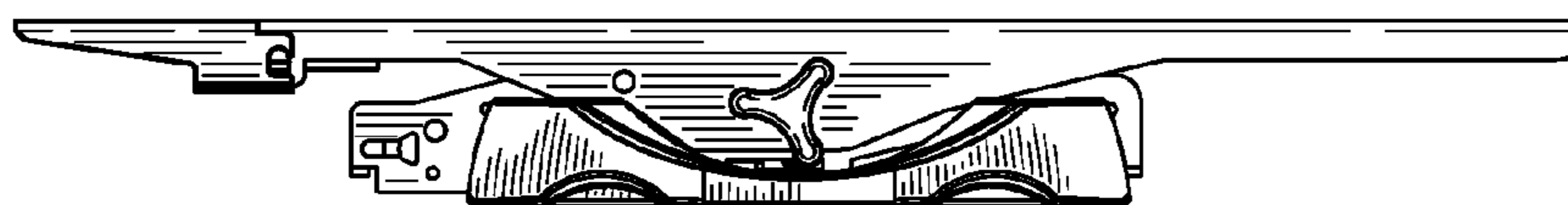


FIG. 4

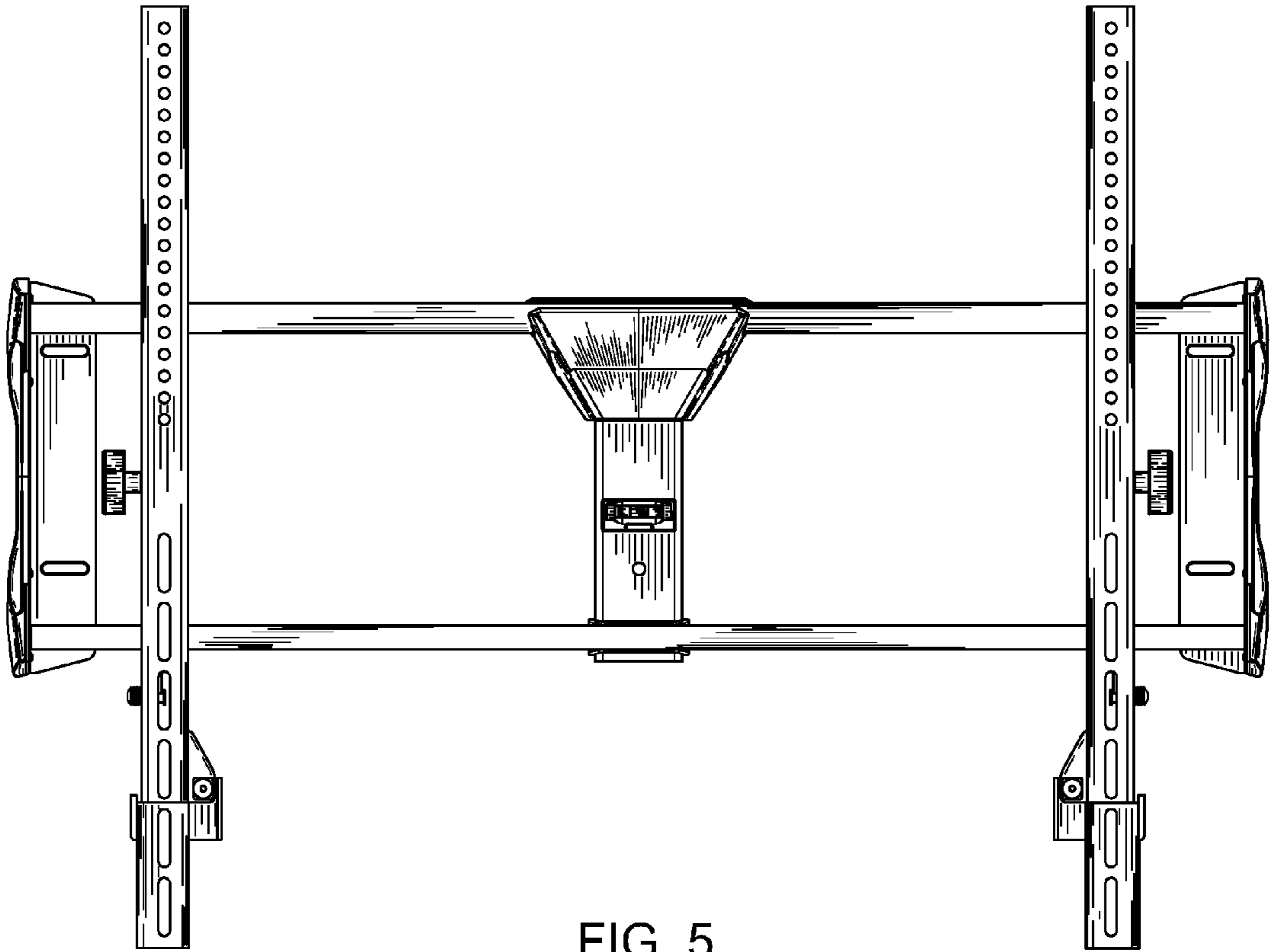


FIG. 5

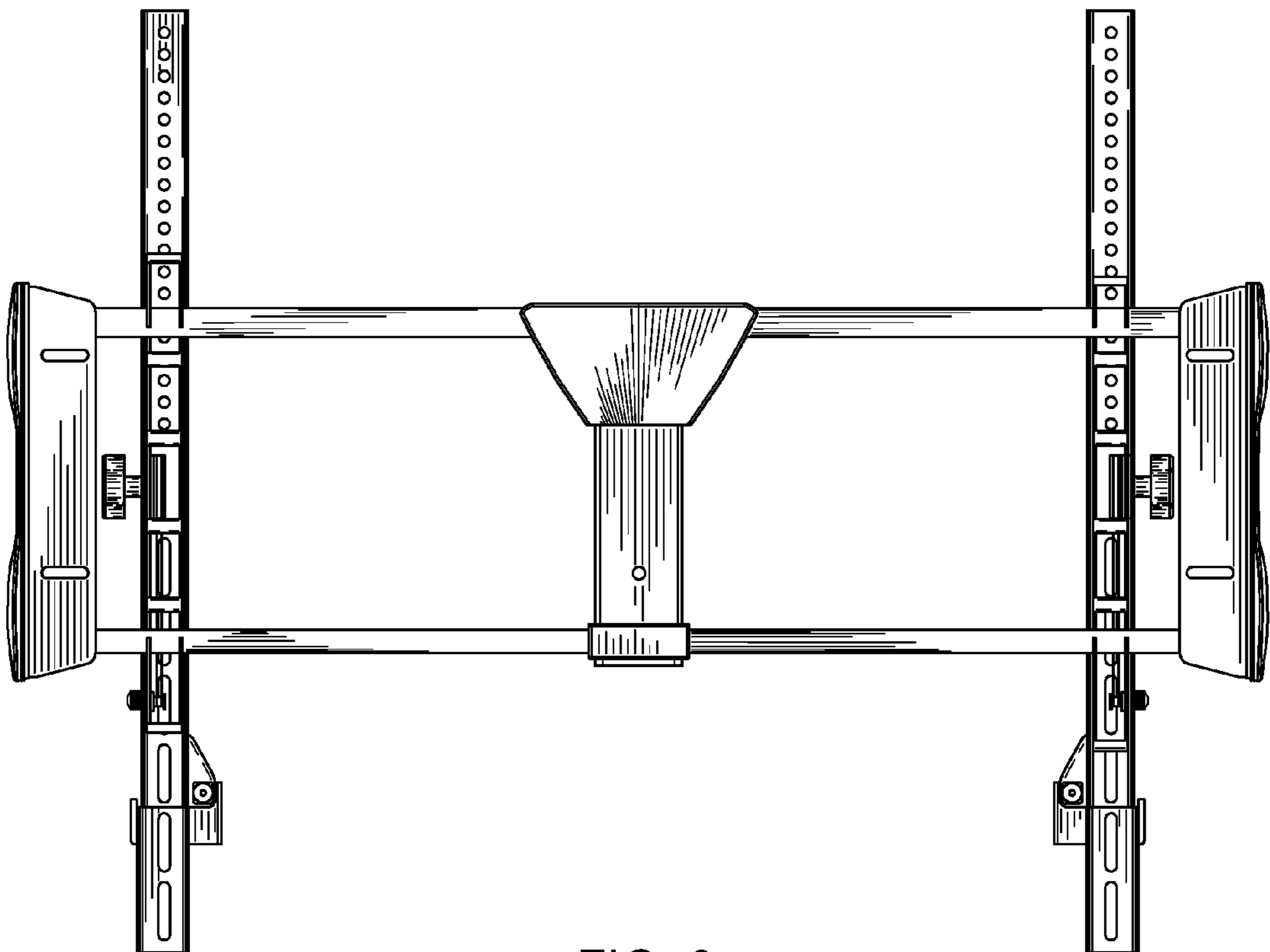


FIG. 6