



US00D614610S

(12) **United States Design Patent**
Sala et al.

(10) **Patent No.:** **US D614,610 S**

(45) **Date of Patent:** **** Apr. 27, 2010**

(54) **ANTENNA**

(75) Inventors: **Jack Harry Sala**, Reno, NV (US);
Forrest Wolf, Reno, NV (US)

(73) Assignee: **Pinyon Technologies**, Reno, NV (US)

(**) Term: **14 Years**

(21) Appl. No.: **29/344,746**

(22) Filed: **Oct. 2, 2009**

(51) **LOC (9) Cl.** **14-03**

(52) **U.S. Cl.** **D14/230**

(58) **Field of Classification Search** D14/230–238,
D14/299; 343/700 R, 840, 841, 908; 455/3.02,
455/FOR. 215, 575.2

See application file for complete search history.

(56) **References Cited**

U.S. PATENT DOCUMENTS

D308,204 S *	5/1990	Takizawa	D14/235
D318,673 S *	7/1991	Terk	D14/230
D333,470 S *	2/1993	Vong	D14/230
D345,564 S *	3/1994	Kadono et al.	D14/230
5,467,477 A *	11/1995	Furuta et al.	455/348
D384,649 S *	10/1997	Heberling et al.	D14/352
D471,882 S *	3/2003	Lan	D14/125
D483,746 S *	12/2003	Hyogo	D14/240
D489,720 S *	5/2004	Sasaki	D14/358
D490,080 S *	5/2004	Alviar et al.	D14/433
D525,968 S *	8/2006	Peng et al.	D14/300
D541,274 S *	4/2007	Wang	D14/356
D556,683 S *	12/2007	Bonanno	D13/110
D568,310 S *	5/2008	Franck et al.	D14/356

D570,845 S *	6/2008	Liu et al.	D14/433
D583,796 S *	12/2008	Tanaka	D14/155
D595,279 S *	6/2009	Chiba et al.	D14/240
D595,704 S *	7/2009	DiClemente	D14/240
D603,834 S *	11/2009	Lyman et al.	D14/155

* cited by examiner

Primary Examiner—T. Chase Nelson

Assistant Examiner—John Windmuller

(74) *Attorney, Agent, or Firm*—Holland & Hart LLP

(57) **CLAIM**

The ornamental design for an antenna, as shown and described.

DESCRIPTION

FIG. 1 is a perspective view of an antenna showing our new design;

FIG. 2 is a front view of the antenna as shown in FIG. 1;

FIG. 3 is a rear view of the antenna as shown in FIG. 1;

FIG. 4 is a right side view of the antenna as shown in FIG. 1;

FIG. 5 is a left side view of the antenna as shown in FIG. 1;

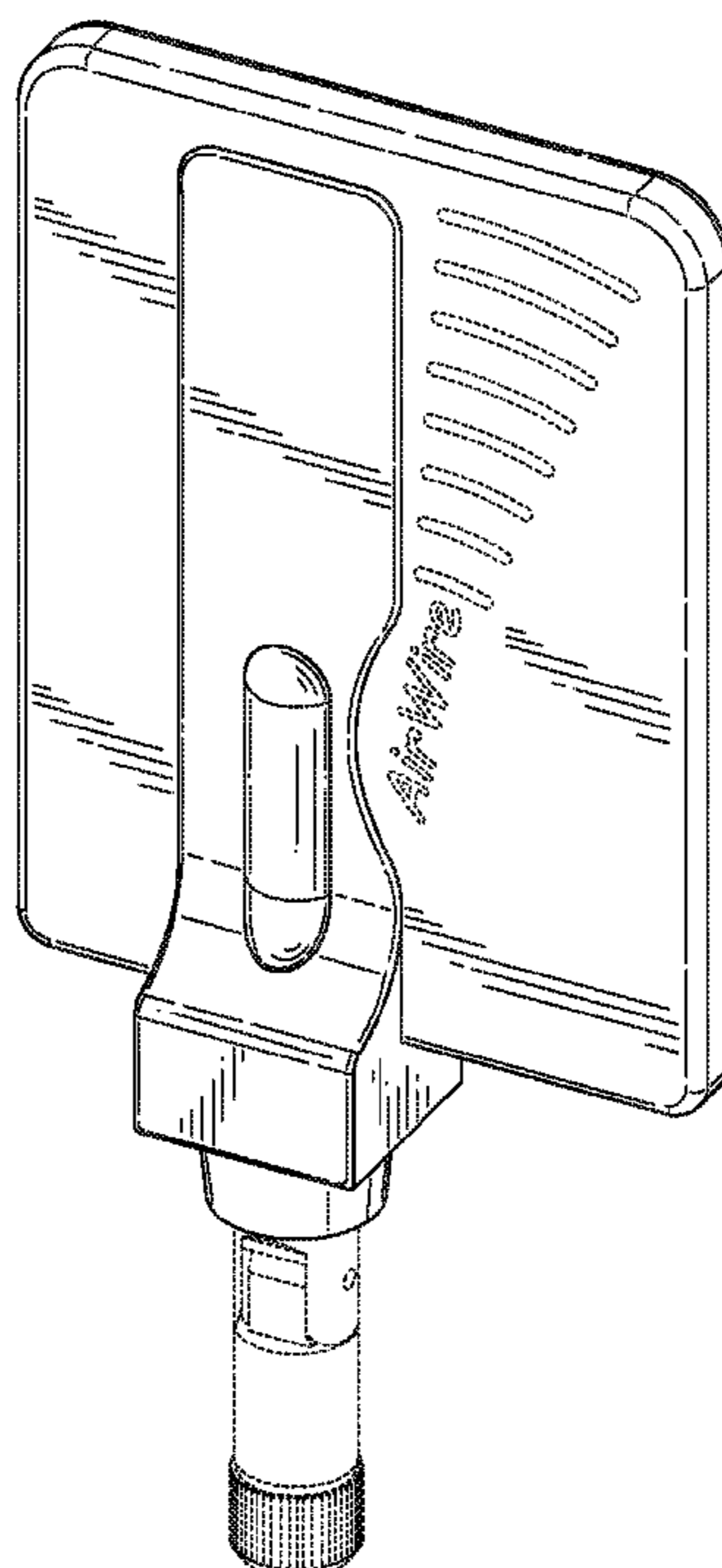
FIG. 6 is a top view of the antenna as shown in FIG. 1; and,

FIG. 7 is a bottom view of the antenna as shown in FIG. 1.

The broken line showing of the indicia on the surfaces of the front and rear faces of the antenna and the broken line showing of the mounting stem are included for the purpose of illustrating a portion of the antenna and forms no part of the claimed design.

AirWire is registered mark of Pinyon Technologies.

1 Claim, 5 Drawing Sheets



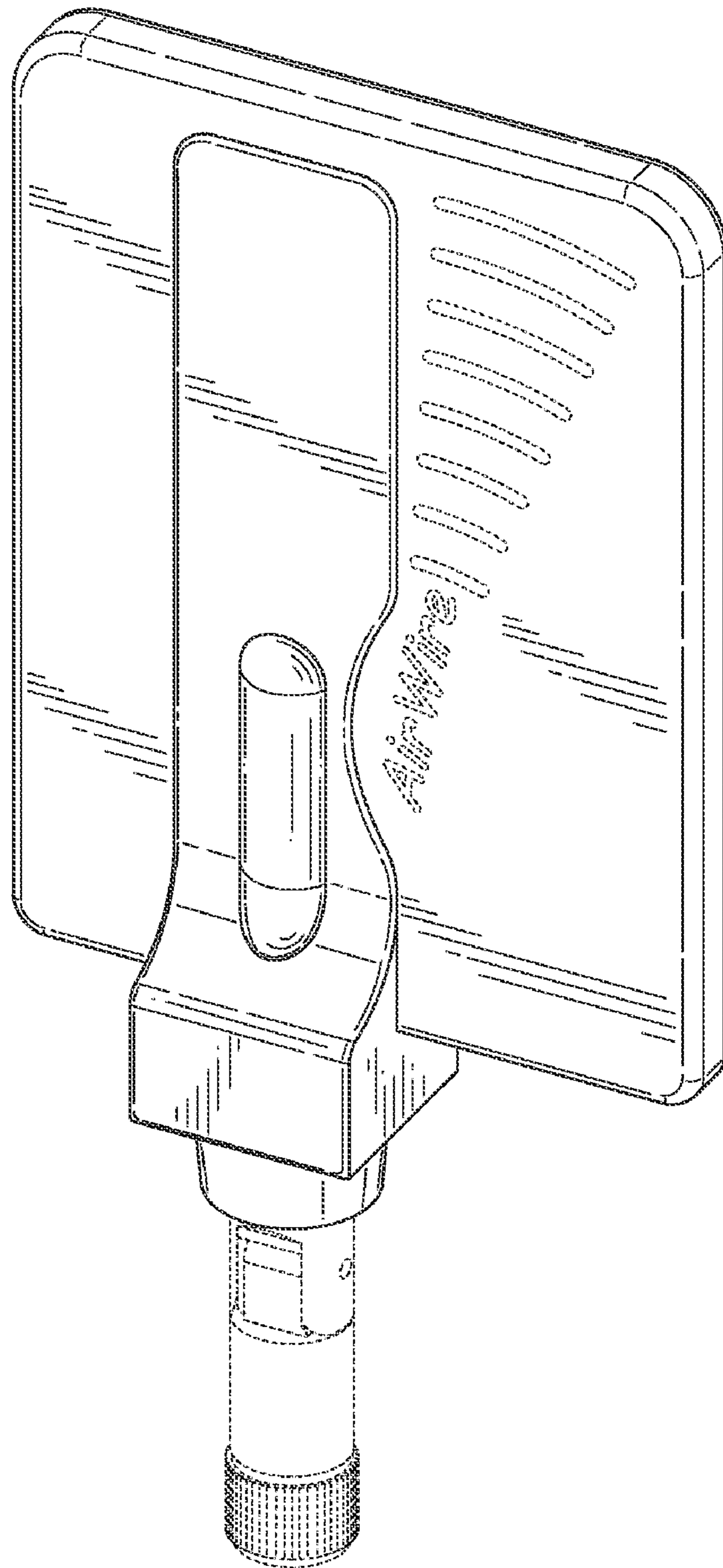


FIG. 1

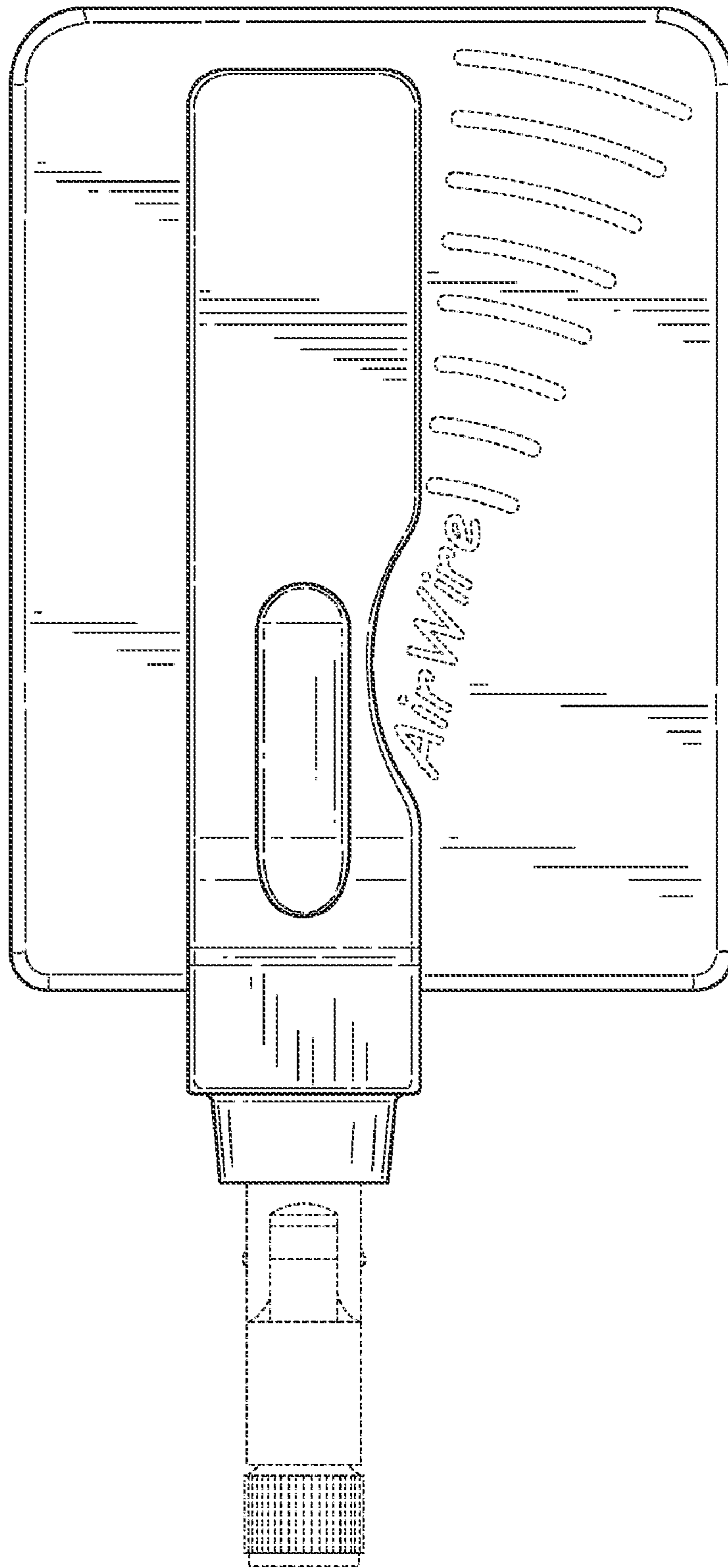


FIG. 2

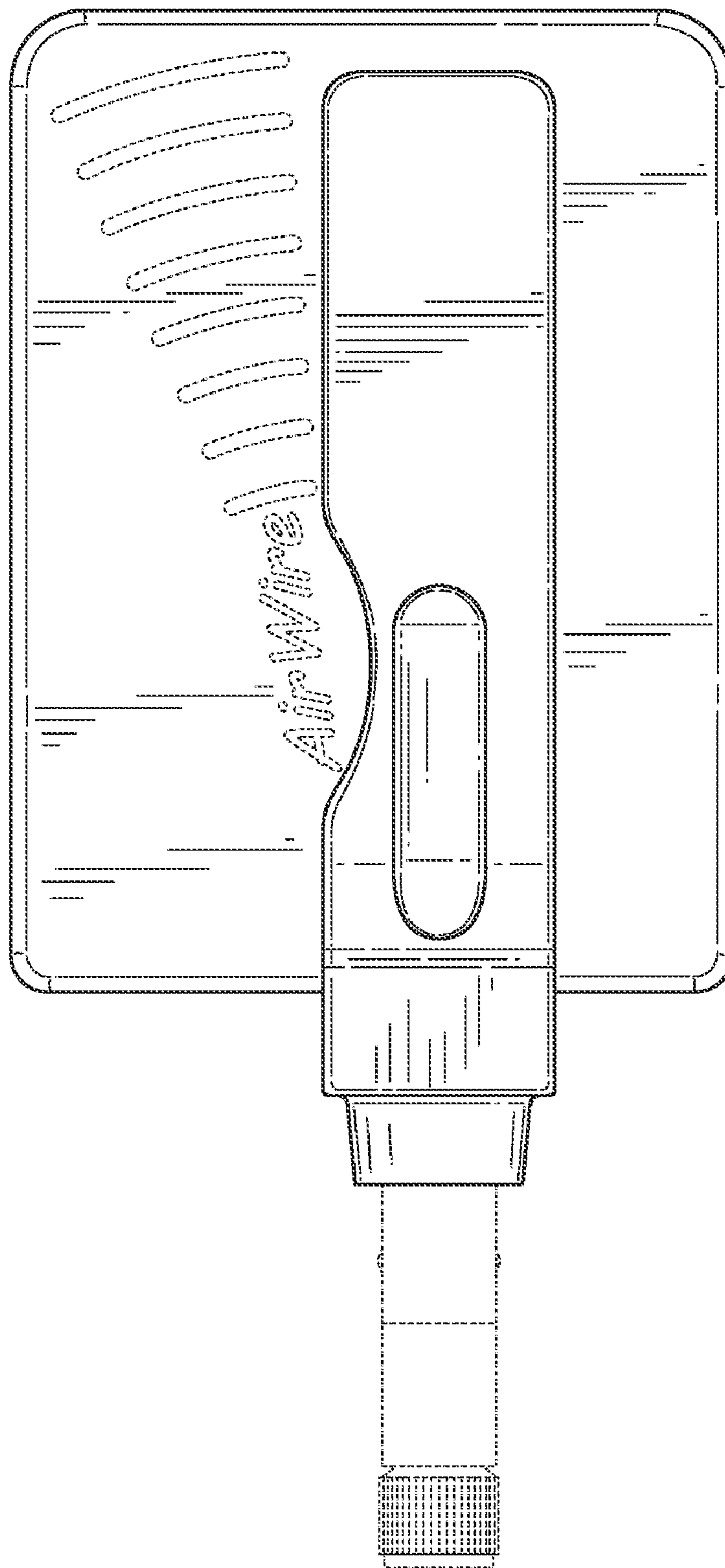


FIG. 3

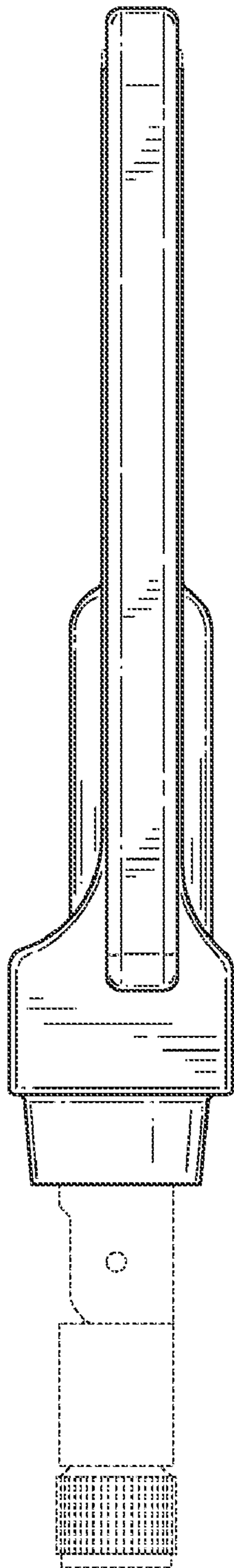


FIG. 4

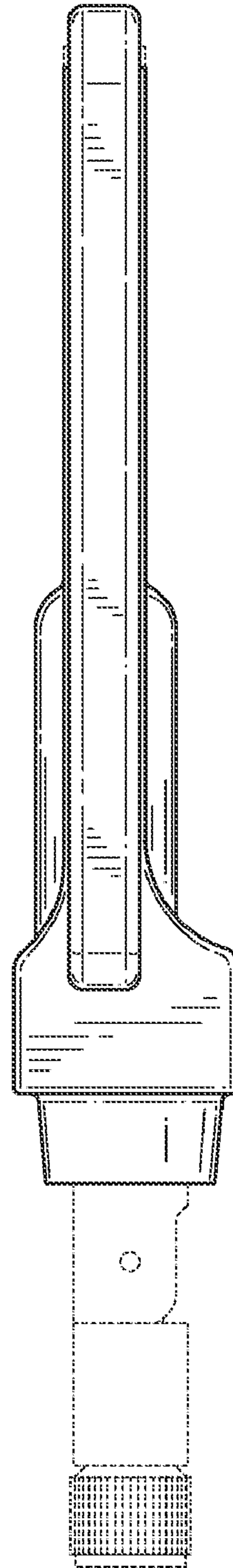


FIG. 5

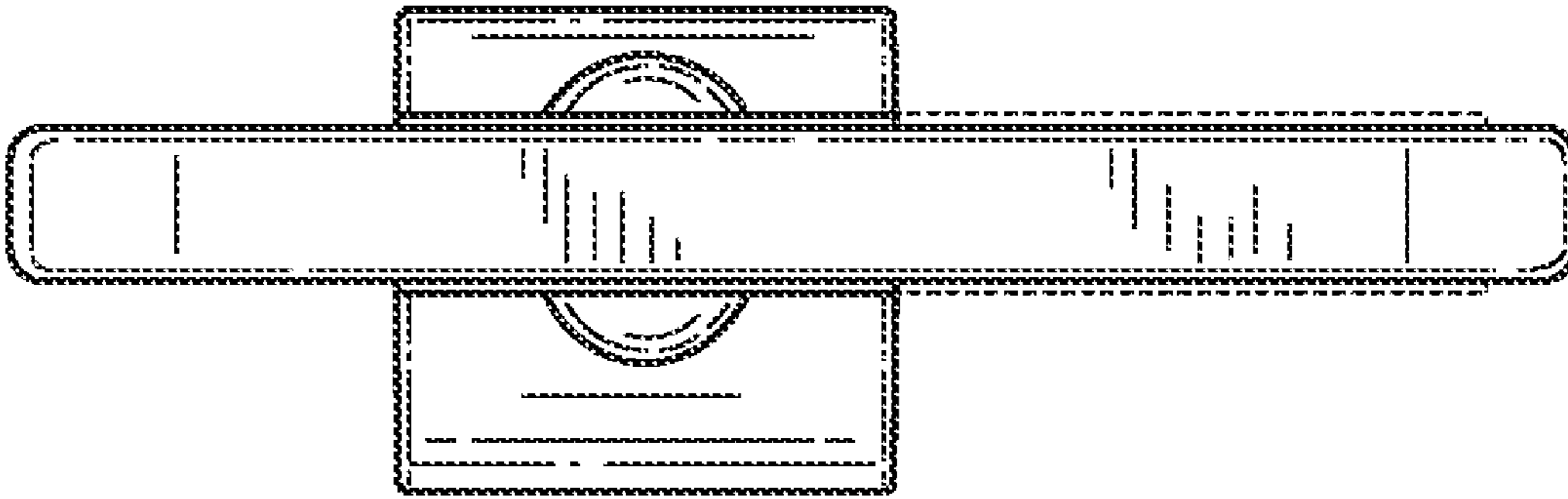


FIG. 6

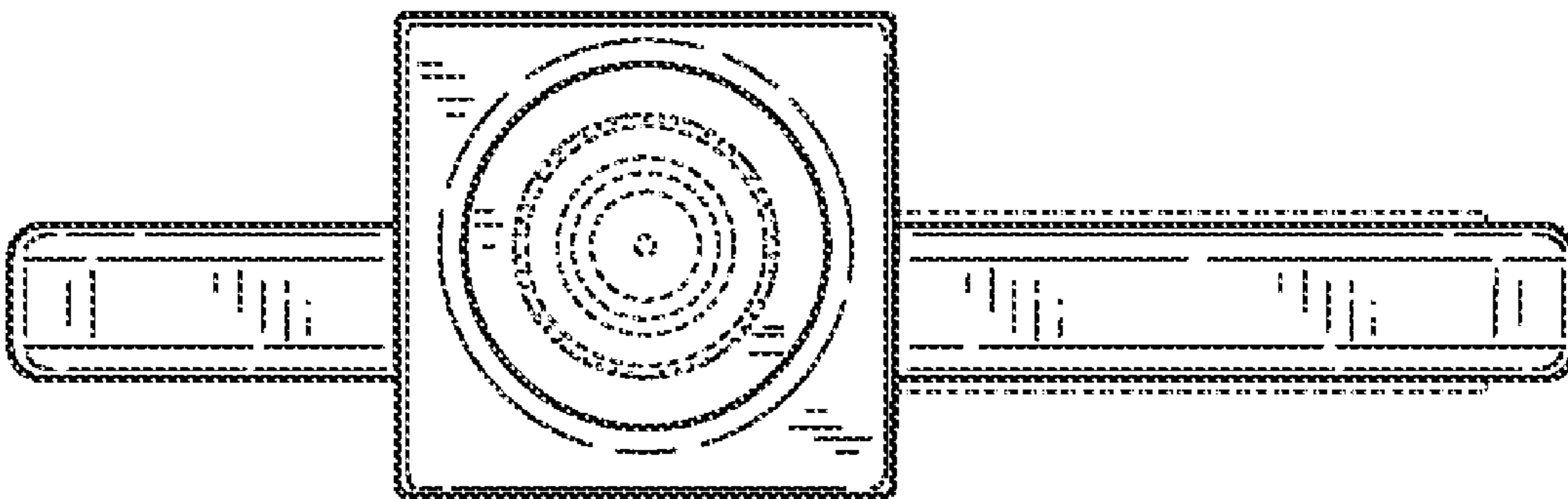


FIG. 7