



US00D614606S

(12) **United States Design Patent**
James

(10) **Patent No.:** **US D614,606 S**

(45) **Date of Patent:** **** Apr. 27, 2010**

(54) **UNIVERSAL REMOTE AND CHARGING STAND**

(76) Inventor: **Jerome C. James**, 3113 Chesapeake Dr., Apt. 301, Dumfries, VA (US) 22026

(**) Term: **14 Years**

(21) Appl. No.: **29/346,265**

(22) Filed: **Oct. 29, 2009**

(51) **LOC (9) Cl.** **14-03**

(52) **U.S. Cl.** **D14/218**

(58) **Field of Classification Search** D14/218,
D14/455; D13/168; D21/566; D10/104,
D10/106; 345/169; 348/14.05, 114, 211.99,
348/734; 340/825.24; 341/22; 455/92, 95,
455/128, 151.1–151.4, 352, 355, FOR. 121;
700/65

See application file for complete search history.

(56) **References Cited**

U.S. PATENT DOCUMENTS

D271,201 S *	11/1983	Nordberg	D14/218
D346,152 S *	4/1994	Zaugg	D13/168
D397,996 S *	9/1998	Smith	D13/168
D411,169 S *	6/1999	West	D13/139.8
D417,220 S *	11/1999	Godette et al.	D14/218
6,307,348 B1 *	10/2001	Green	320/111
D451,498 S *	12/2001	Rossel	D14/218
D477,823 S *	7/2003	Lavello, Sr.	D14/253
D501,200 S *	1/2005	Tsai et al.	D14/218
D508,482 S *	8/2005	Pardo	D14/218
D518,475 S *	4/2006	Yang et al.	D14/218
D532,005 S *	11/2006	Leith	D14/253
D535,614 S *	1/2007	Majanen et al.	D13/108
D549,185 S *	8/2007	Tan	D13/168
D568,299 S *	5/2008	Tuli	D14/218
D571,790 S *	6/2008	Yoshitake et al.	D14/218
D585,052 S *	1/2009	Mamane et al.	D14/218

D599,768 S * 9/2009 Kim et al. D14/138 AD

* cited by examiner

Primary Examiner—T. Chase Nelson
Assistant Examiner—John Windmuller

(74) *Attorney, Agent, or Firm*—Christopher D. Harrington

(57) **CLAIM**

I claim the ornamental design for a universal remote and charging stand, of the present invention as shown and described.

DESCRIPTION

FIG. 1 is a front elevational view of a universal remote and charging stand of the present invention;

FIG. 2 is a rear elevational view of the universal remote and charging stand of FIG. 1.

FIG. 3 is a top view of the universal remote and charging stand as depicted in FIG. 1.

FIG. 4 is a bottom view of the universal remote and charging stand as depicted in FIG. 1.

FIG. 5 is a right side view of the universal remote and charging stand as depicted in FIG. 1.

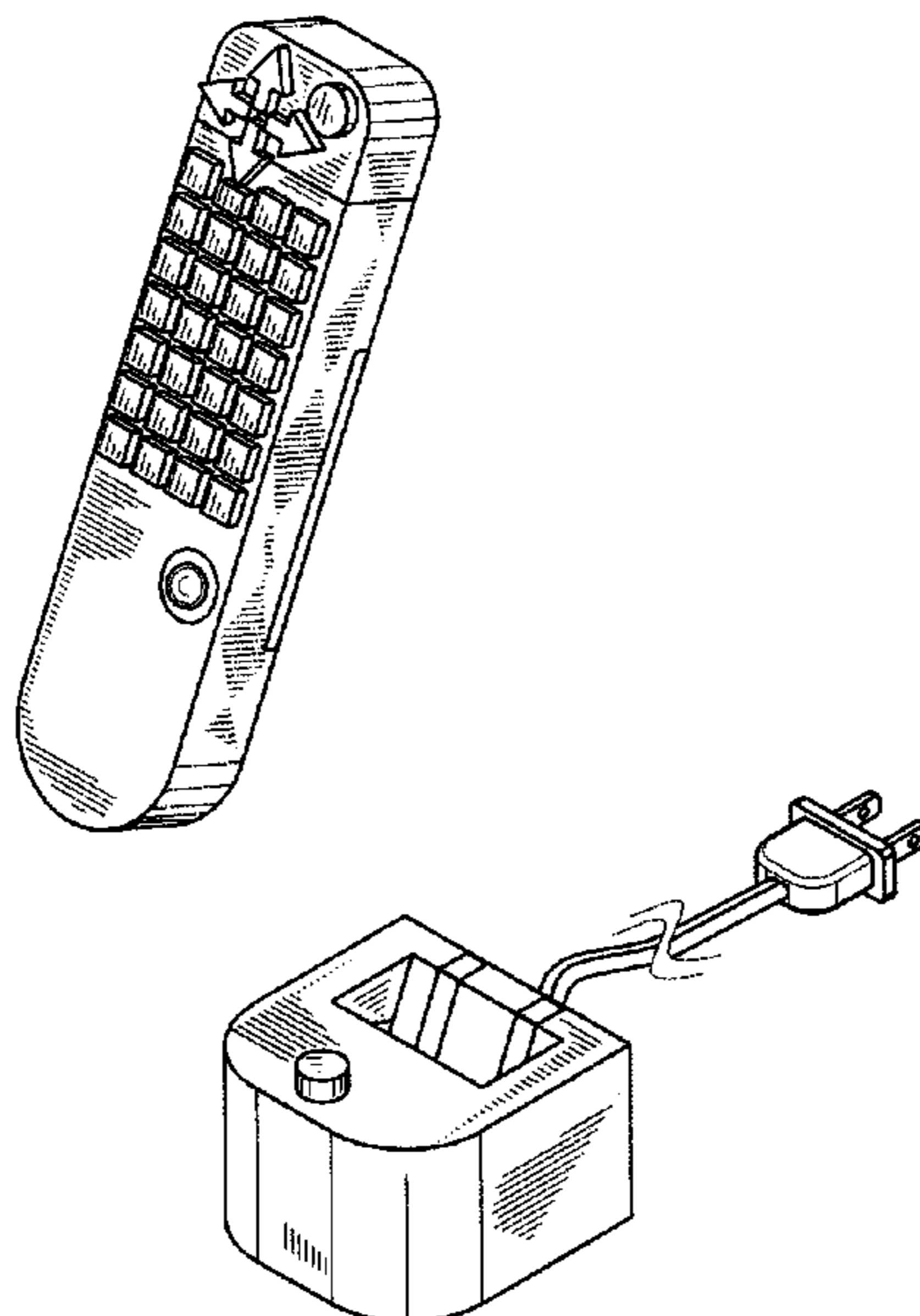
FIG. 6 is a left side view of the universal remote and charging stand as depicted in FIG. 1; and,

FIG. 7 is an isometric view of the universal remote and charging stand as depicted in FIG. 1.

The power cord is shown broken away in order to indicate that a specific length of power cord forms no part of the claimed design.

The present design relates to universal remote and charging stand for use in the remote control of electronic devices such as television sets, DVD and CD players, video playback devices, and the like.

1 Claim, 4 Drawing Sheets



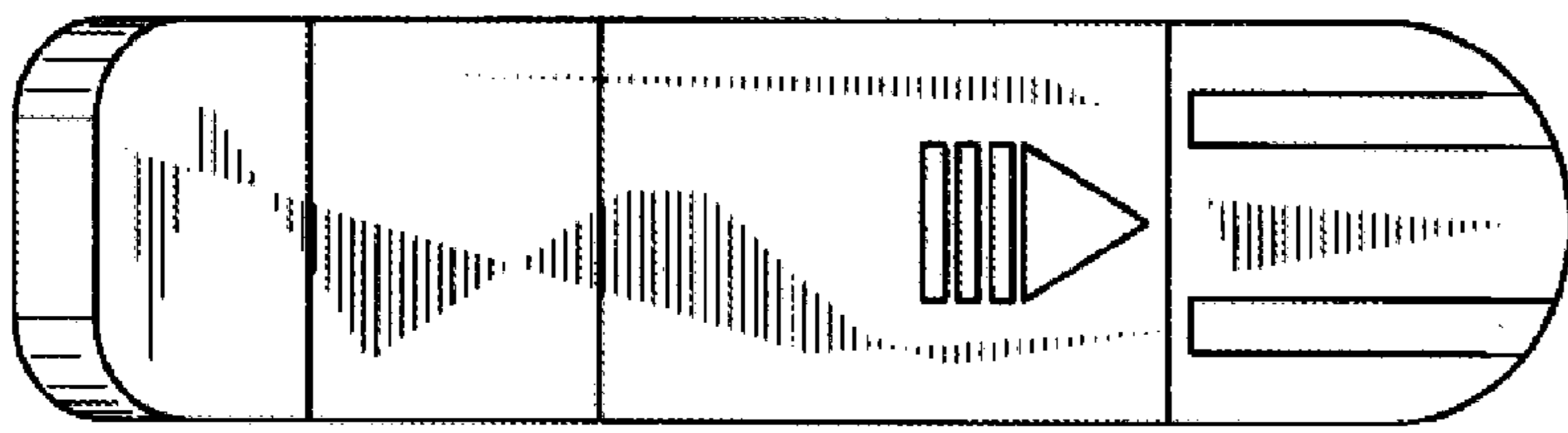
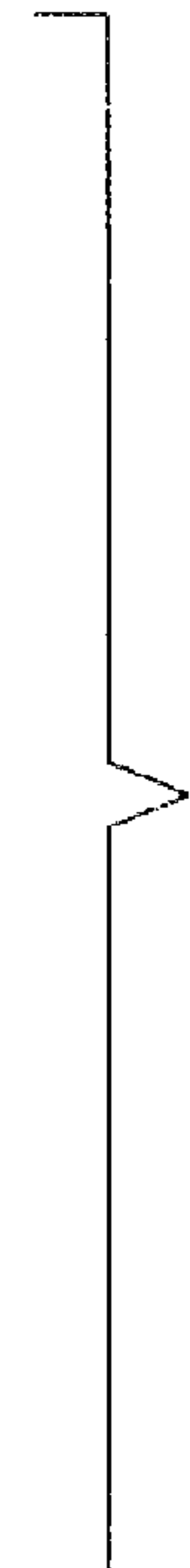


FIG. 1



FIG. 2



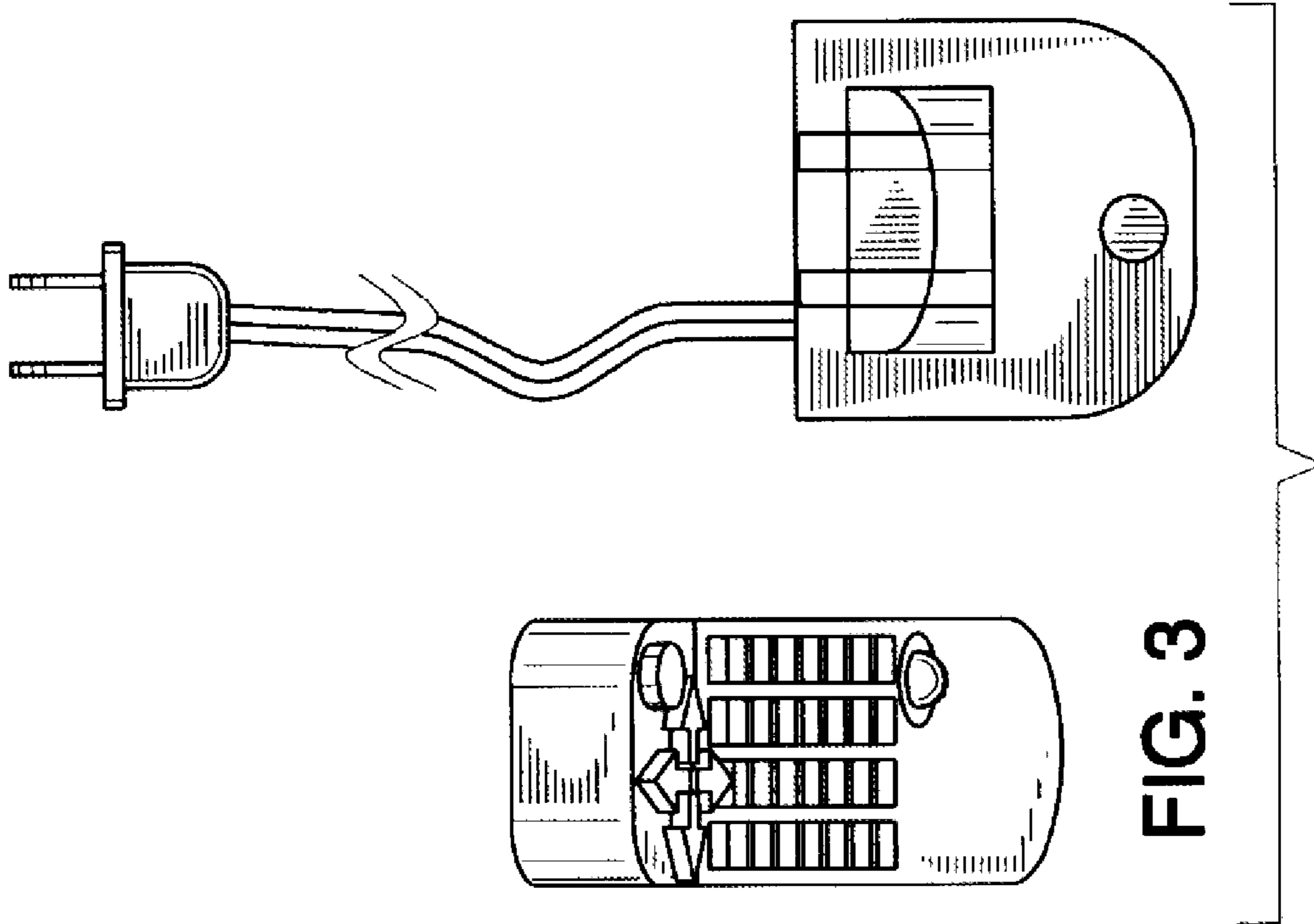


FIG. 3

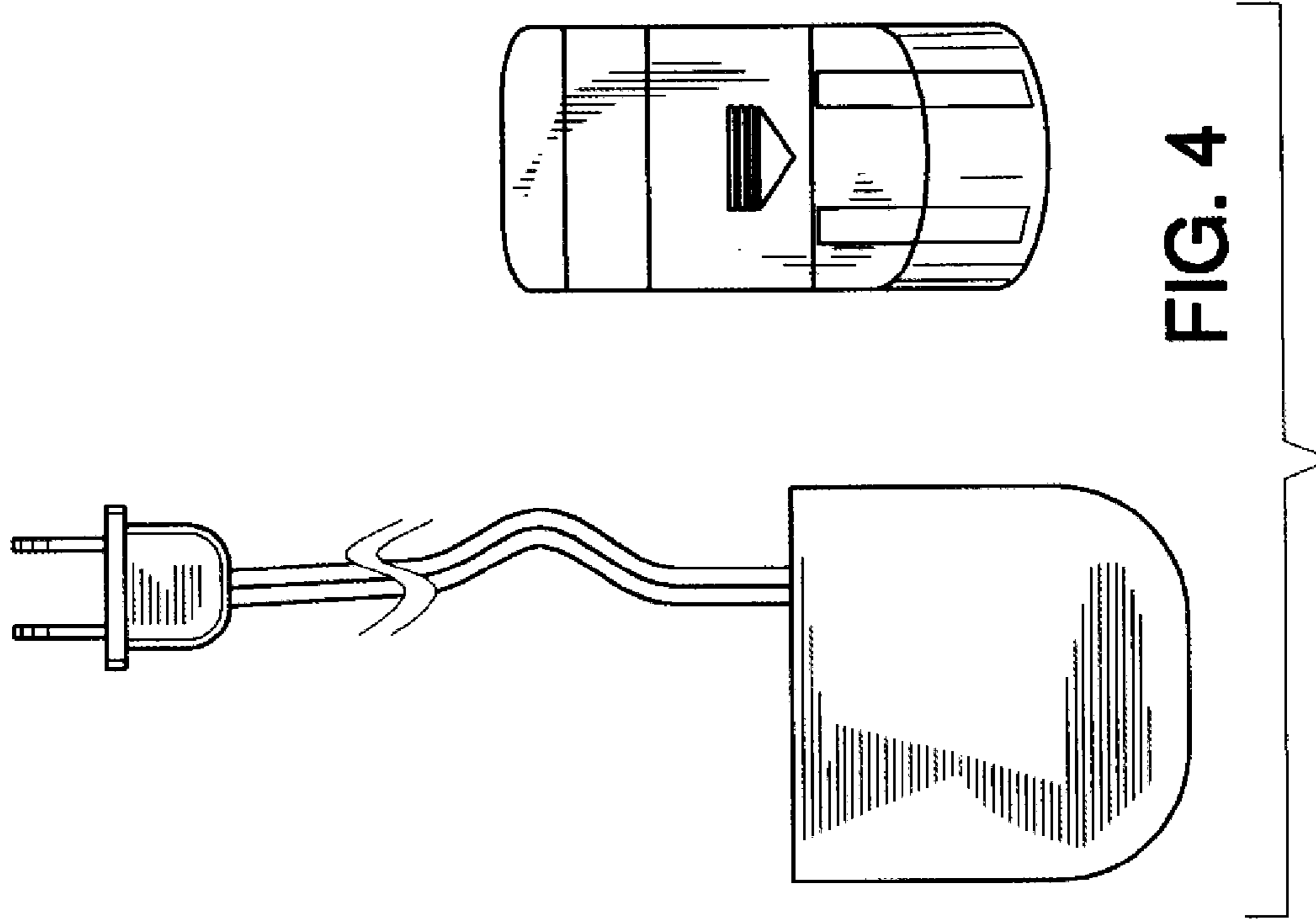
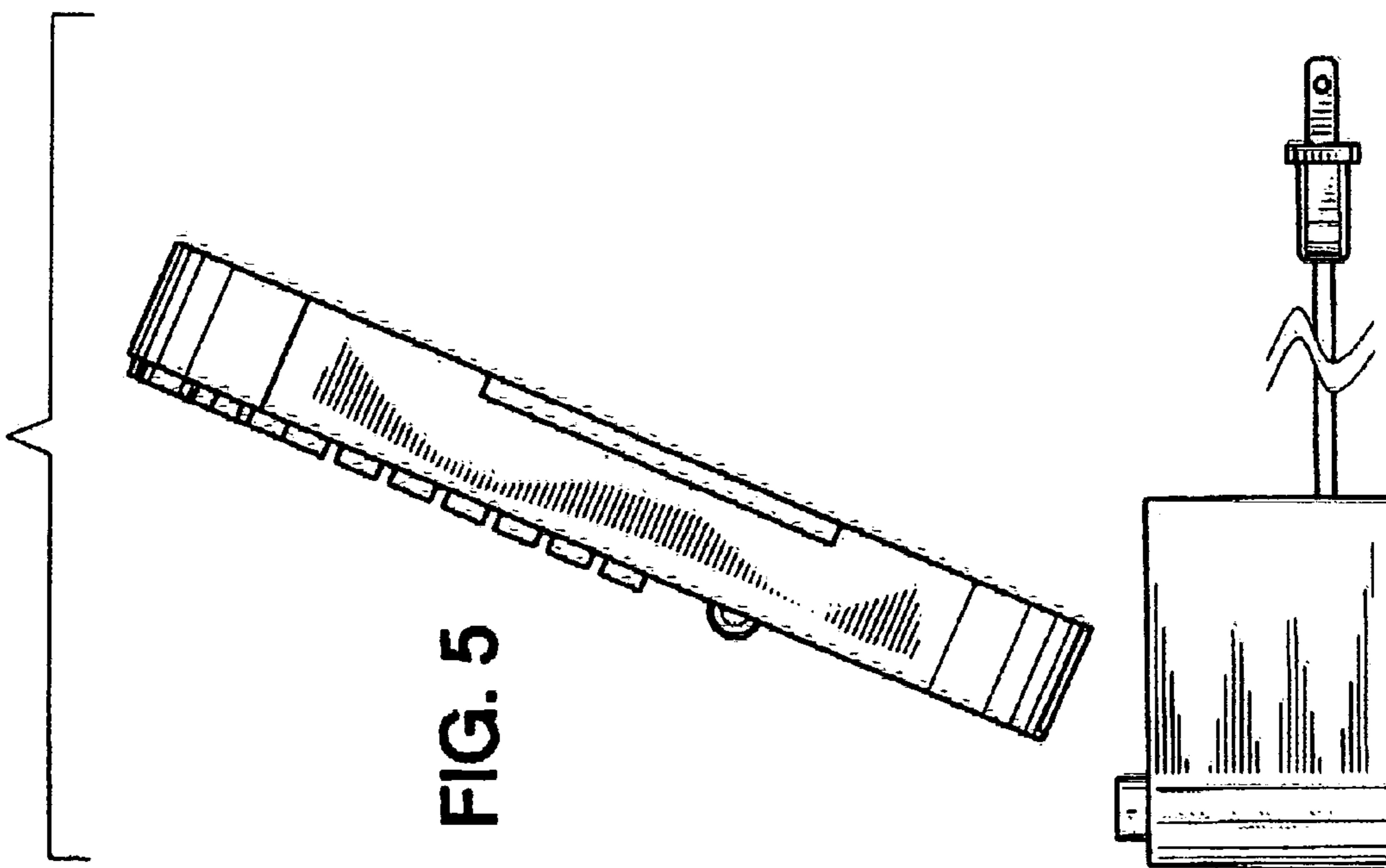
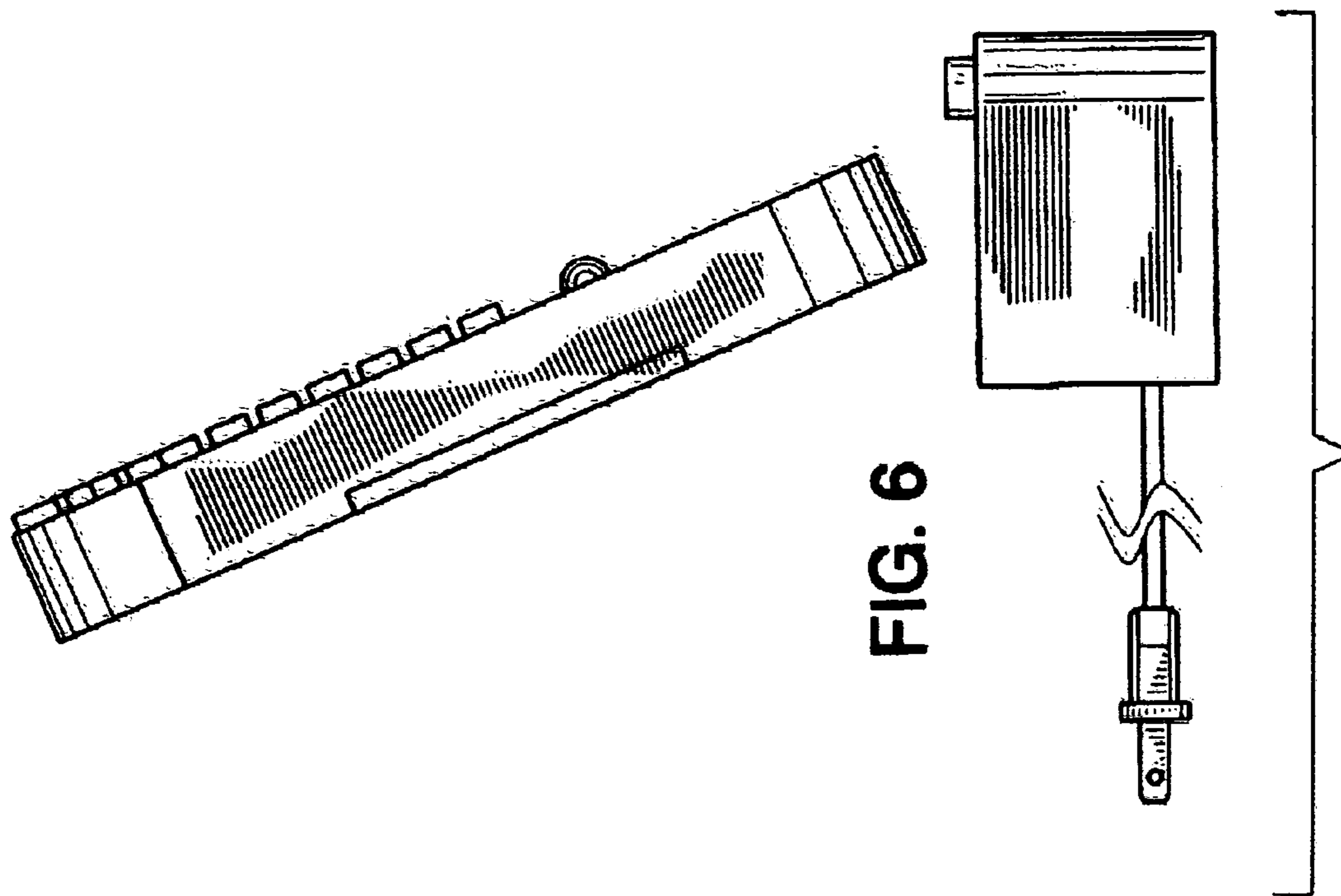


FIG. 4



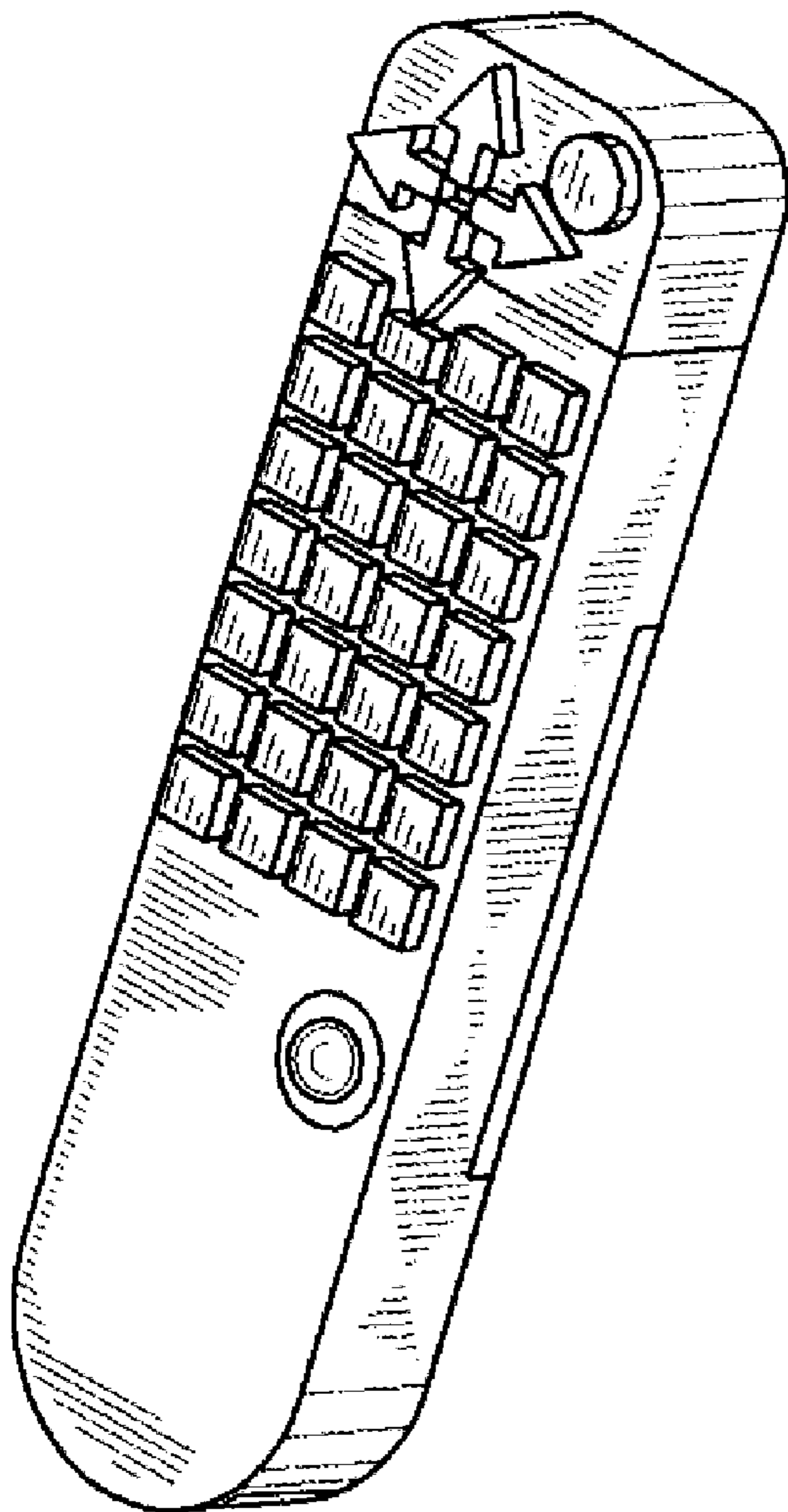


FIG. 7

