



US00D614601S

(12) **United States Design Patent**  
**Kataoka et al.**

(10) **Patent No.:** **US D614,601 S**  
(45) **Date of Patent:** **\*\* Apr. 27, 2010**

- (54) **SOIP (SERVICE OVER IP) PHONE**
- (75) Inventors: **Tetsu Kataoka**, Tokyo (JP);  
**Kyung-Hoon Lee**, Seoul (KR);  
**Tai-Hyung Ju**, Seoul (KR)
- (73) Assignee: **Samsung Electronics Co., Ltd.**,  
Kyunggi-do (KR)
- (\*\*) Term: **14 Years**
- (21) Appl. No.: **29/315,565**
- (22) Filed: **Jul. 6, 2009**
- (51) **LOC (9) Cl.** ..... **14-03**
- (52) **U.S. Cl.** ..... **D14/142; D14/130**
- (58) **Field of Classification Search** ..... D14/125-130,  
D14/140-142, 147-151, 158-159, 171, 188,  
D14/225-226, 240, 243, 247, 251, 253, 346,  
D14/349, 356, 358, 434, 436, 138 G, 341,  
D14/343; 379/88.17, 90.01, 93.17, 387.01,  
379/388.02, 419-420.04, 428.01-428.04,  
379/434-436, 440, 446-447, 454-455; 381/16,  
381/71.1; D13/107-108; 191/12.2 R; 320/108,  
320/110, 113-115; 455/411, 550.1-90.3;  
348/14.01-14.06; D19/10  
See application file for complete search history.

(56) **References Cited**

**U.S. PATENT DOCUMENTS**

D410,913	S	*	6/1999	Saito et al.	.....	D14/436
D458,252	S	*	6/2002	Palm et al.	.....	D14/343
D481,719	S	*	11/2003	Okawa et al.	.....	D14/341
D485,265	S	*	1/2004	Sato et al.	.....	D14/341
D532,791	S	*	11/2006	Kim	.....	D14/203.7
D569,374	S	*	5/2008	Kataoka et al.	.....	D14/341
D570,610	S	*	6/2008	Chuang	.....	D6/300
D572,025	S	*	7/2008	Kwon	.....	D6/308
D575,171	S	*	8/2008	Miyawaki	.....	D10/65
D575,760	S	*	8/2008	Kim et al.	.....	D14/138 G
D582,875	S	*	12/2008	Haspil et al.	.....	D14/138 G
D584,281	S	*	1/2009	Kim et al.	.....	D14/188

D584,711	S	*	1/2009	Kim et al.	.....	D14/138 G
D585,399	S	*	1/2009	Hwang	.....	D14/130
D592,625	S	*	5/2009	Hwang	.....	D14/130
D597,057	S	*	7/2009	Sheppard	.....	D14/142
D604,263	S	*	11/2009	Kim	.....	D14/138 G
2007/0232368	A1	*	10/2007	Feightner et al.	.....	455/575.1

**FOREIGN PATENT DOCUMENTS**

WO DM/055768 \* 4/2001

**OTHER PUBLICATIONS**

Vialta Beamer BM80: Single Pack Video Phone, <URL:http://www.101phones.com/details/880/Beamer-BM80+Single-Pack-Video-Phone.html>, retrieved from internet Dec. 16, 2009.\*  
LCD Touch-Panel Phone with Talking Caller ID, <URL:http://www.overstock.com/Electronics/LCD-Touch-Panel-Phone-with-Talking-Caller-ID/1904010/product.html>, retrieved from internet Dec. 16, 2009.\*

\* cited by examiner

*Primary Examiner*—Robert M Spear  
*Assistant Examiner*—Carla Jobe Wright  
(74) *Attorney, Agent, or Firm*—Flynn, Thiel, Boutell & Tanis, P.C.

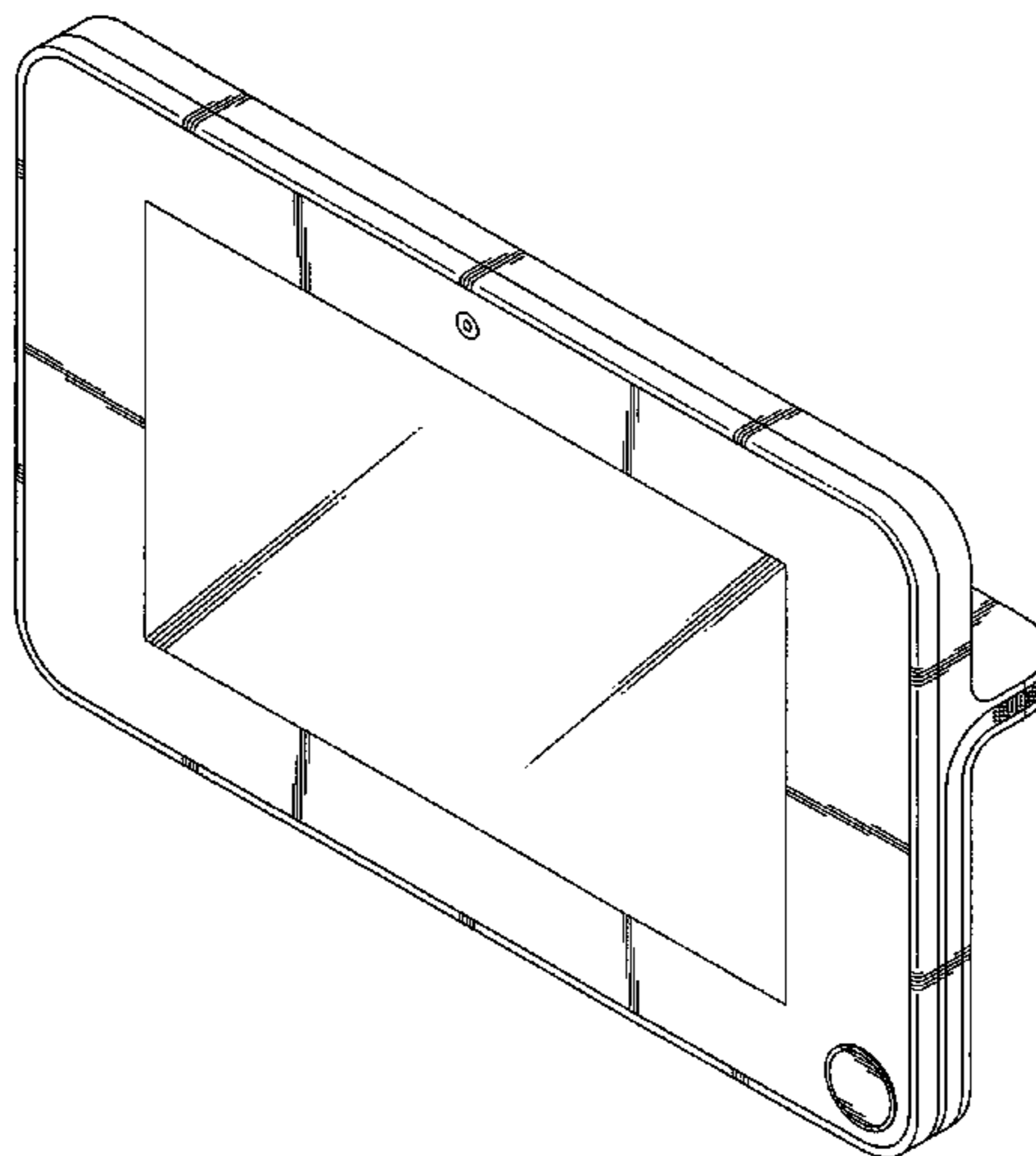
(57) **CLAIM**

The ornamental design for a SOIP(Service over IP) phone, as shown and described.

**DESCRIPTION**

FIG. 1 is a top front perspective view of a SOIP(Service over IP) phone showing our new design;  
FIG. 2 is a front elevational view thereof;  
FIG. 3 is a rear elevational view thereof;  
FIG. 4 is a left side elevational view thereof;  
FIG. 5 is a right side elevational view thereof;  
FIG. 6 is a top plan view thereof; and,  
FIG. 7 is a bottom plan view thereof.

**1 Claim, 3 Drawing Sheets**



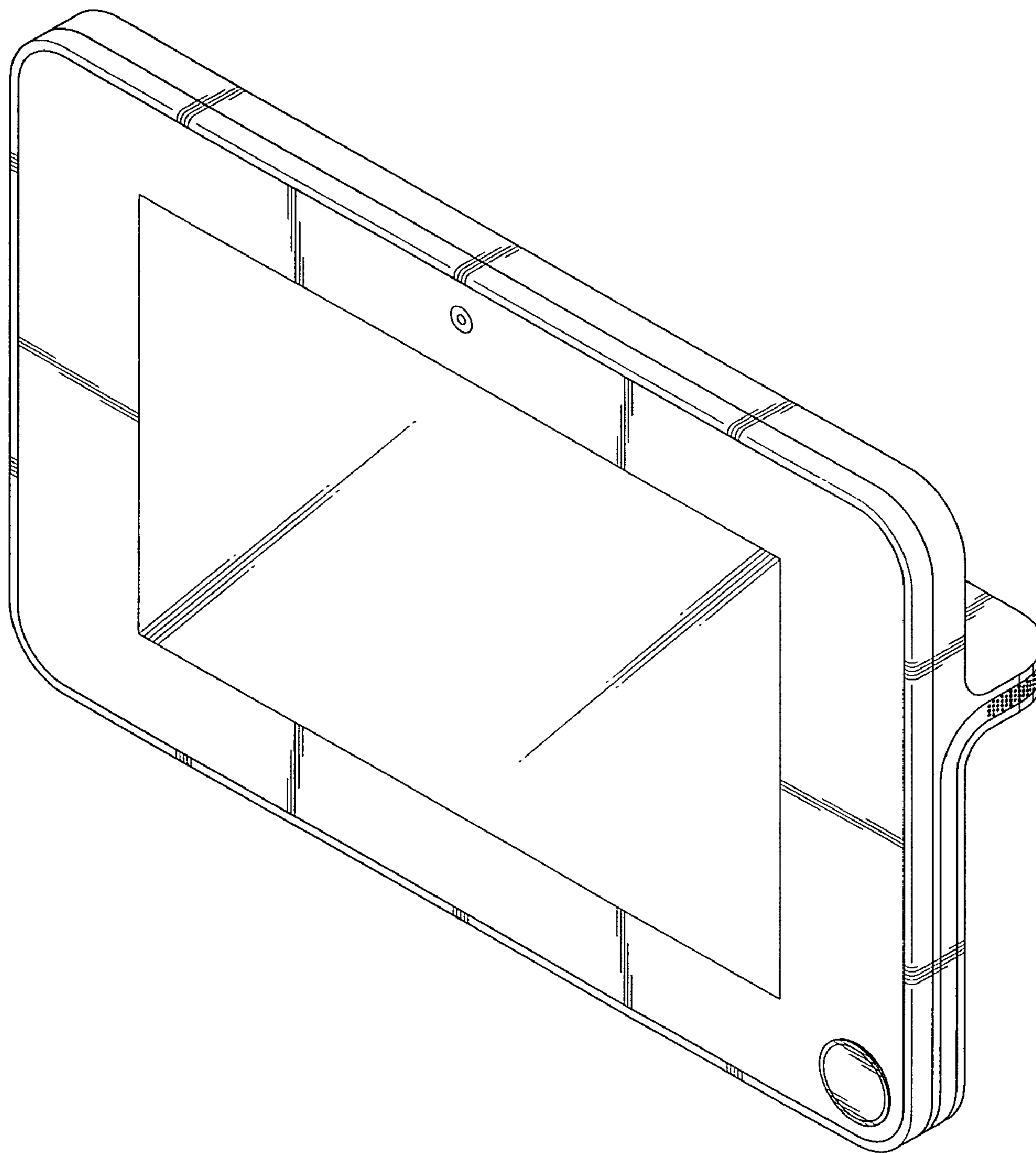


FIG. 1

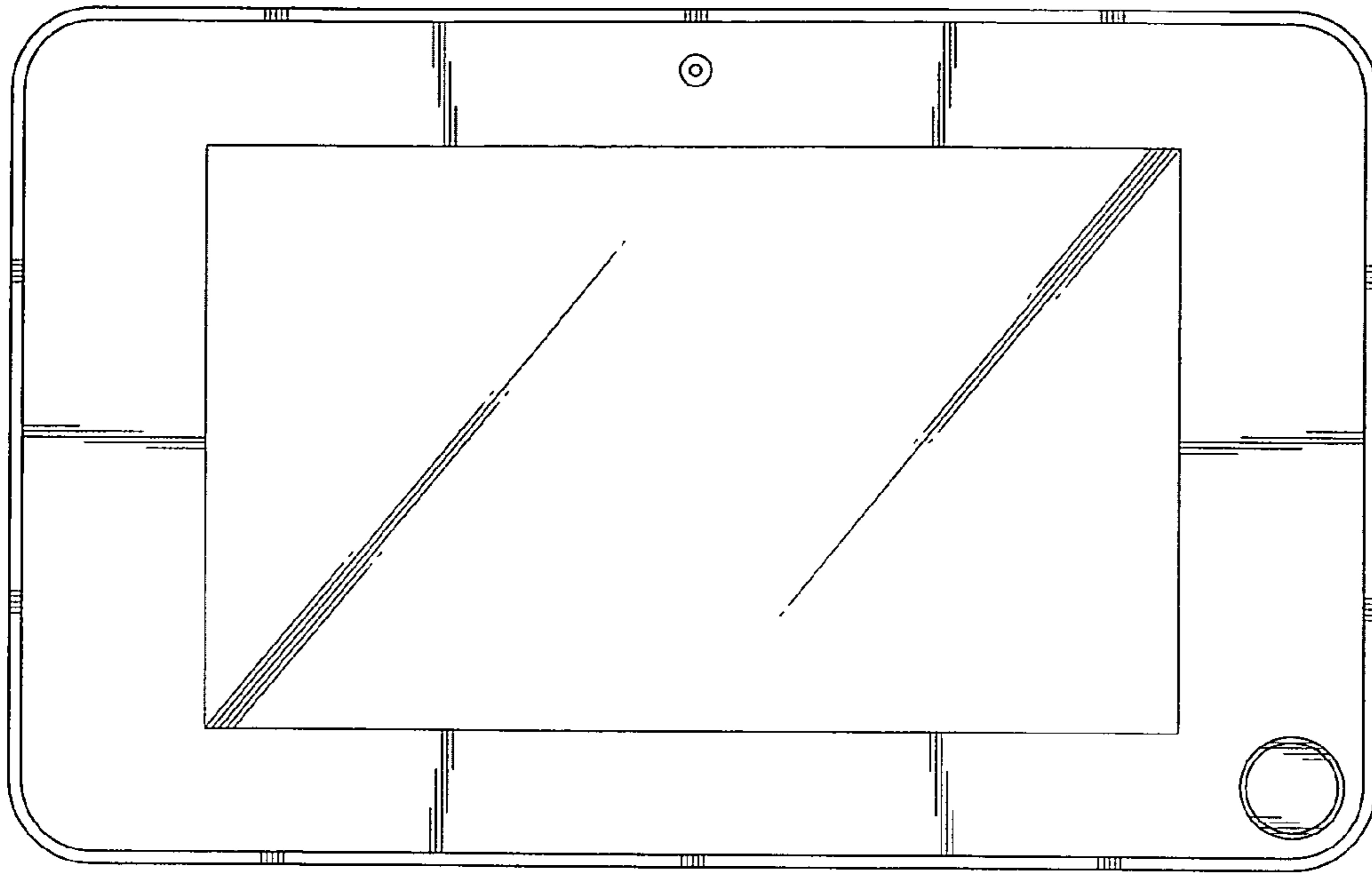


FIG. 2

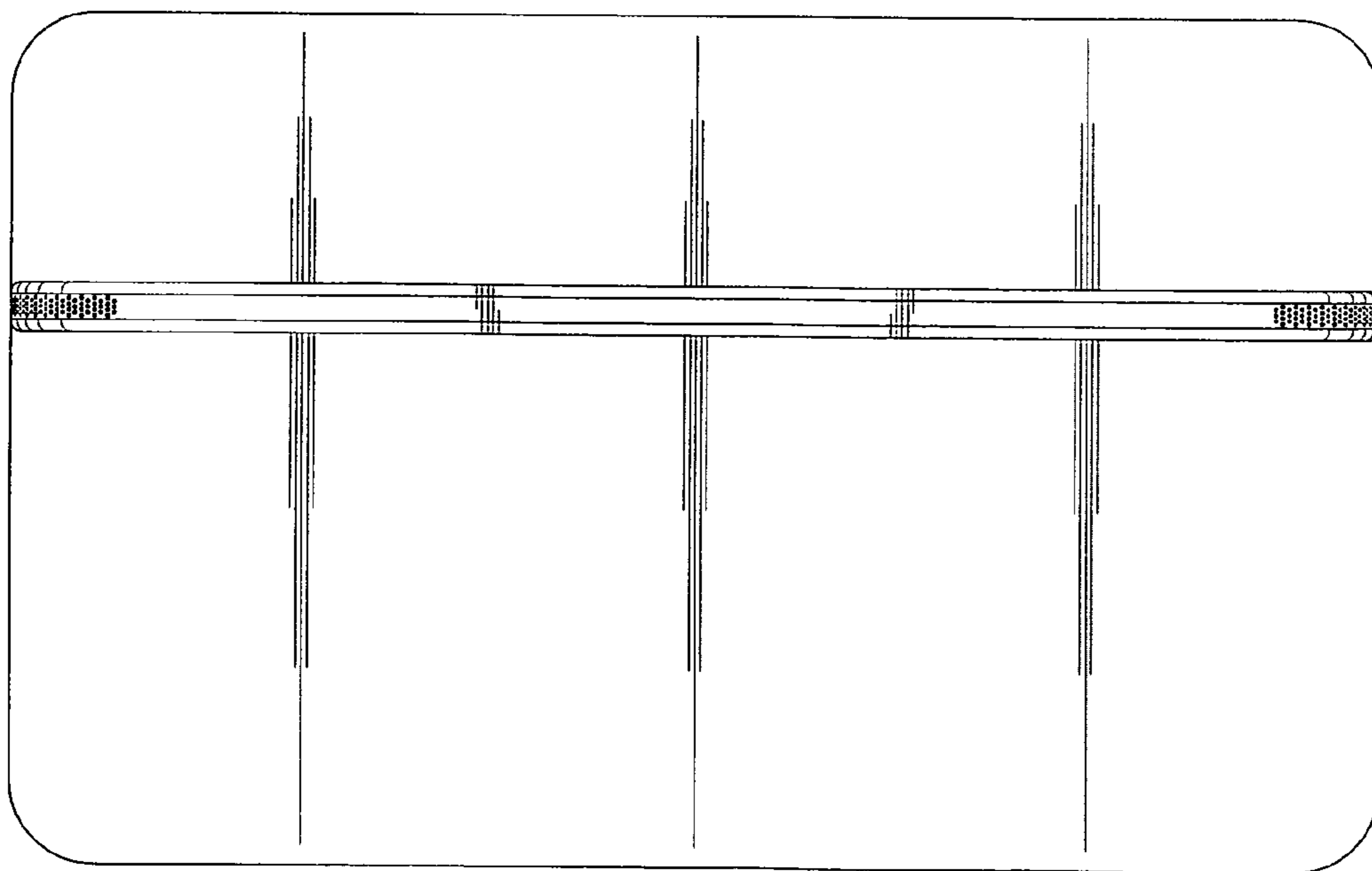


FIG. 3

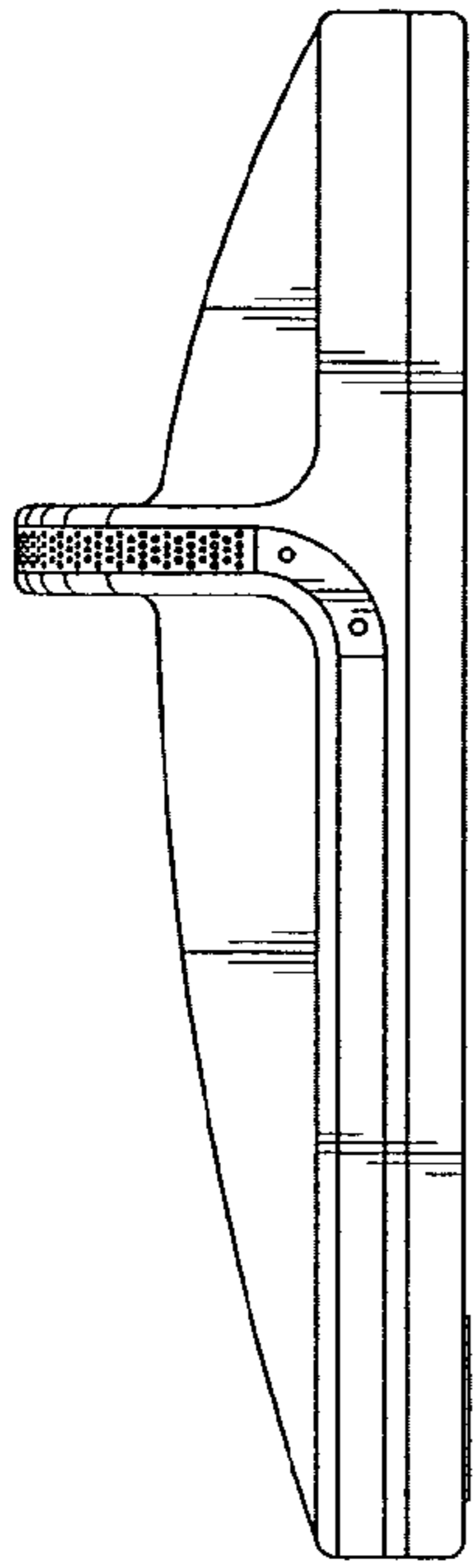


FIG. 4

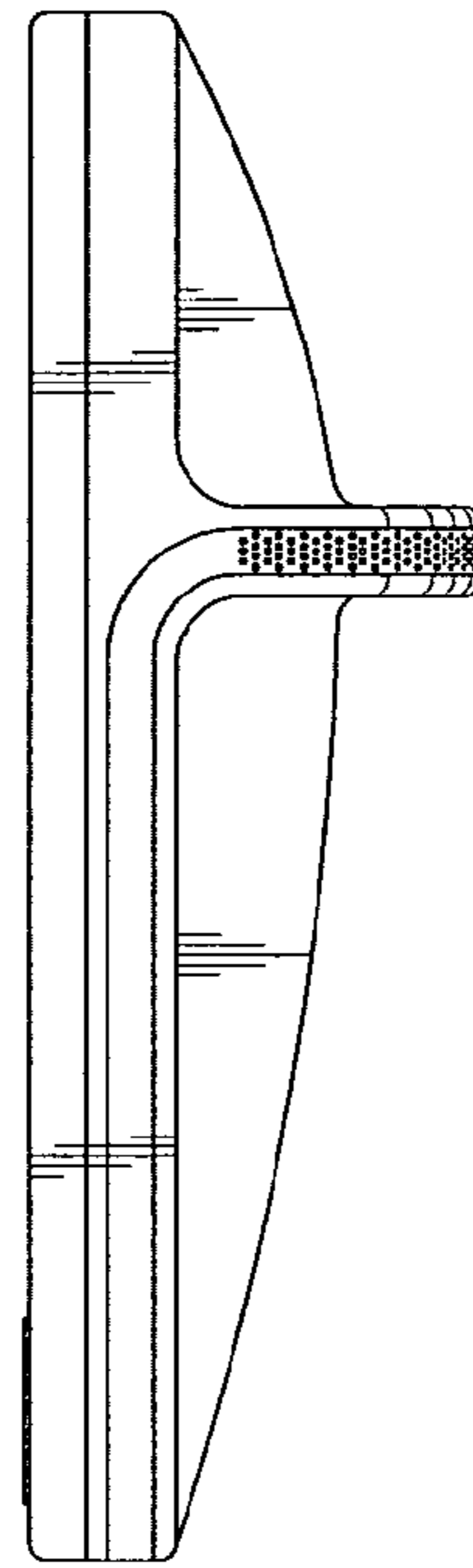


FIG. 5

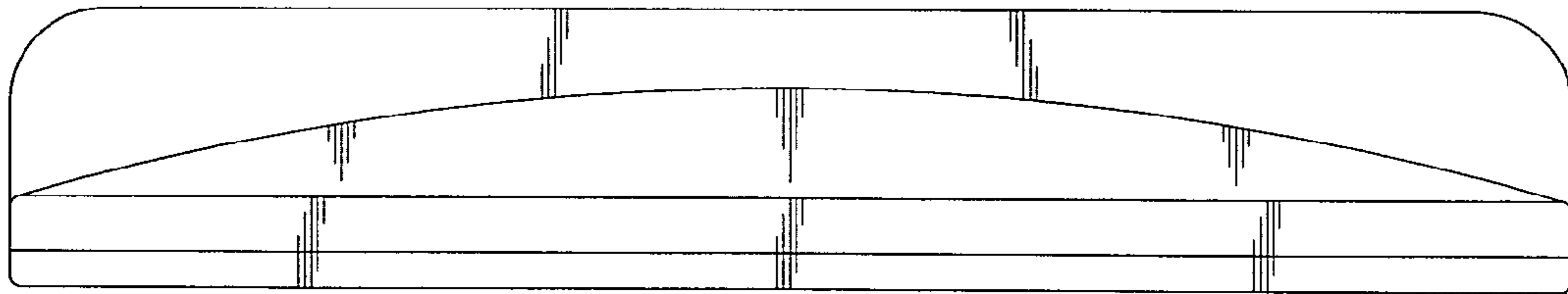


FIG. 6

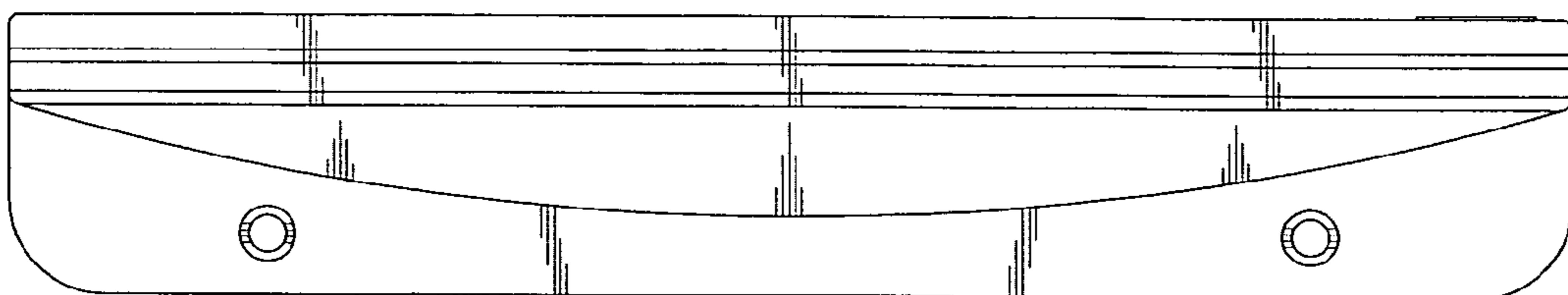


FIG. 7