



US00D614594S

(12) **United States Design Patent**
Suzuki

(10) **Patent No.:** **US D614,594 S**

(45) **Date of Patent:** **** Apr. 27, 2010**

(54) **TELEVISION TUNER**

(75) Inventor: **Takeshi Suzuki**, Tokyo (JP)

(73) Assignee: **Kabushiki Kaisha Toshiba** (JP)

(**) Term: **14 Years**

(21) Appl. No.: **29/345,049**

(22) Filed: **Oct. 8, 2009**

(30) **Foreign Application Priority Data**

Jul. 27, 2009 (JP) 2009-017036

(51) **LOC (9) Cl.** **14-03**

(52) **U.S. Cl.** **D14/125**

(58) **Field of Classification Search** D14/125-134,
D14/168, 188, 197, 198, 239, 371, 136, 374-377,
D14/496-510; 312/7.2; 348/836, 838, 180,
348/184, 325, 739; 341/12; 248/917-924,
248/465, 123.11; 345/104, 133, 156, 168,
345/87, 173, 169; 349/1, 2, 11, 62; 720/605,
720/612, 619, 647, 655, 669, 600, 99, 197;
455/347-351; 360/99.07; 369/75.11, 75.21

See application file for complete search history.

(56) **References Cited**

U.S. PATENT DOCUMENTS

D312,620 S * 12/1990 Koepke et al. D14/354
D559,809 S * 1/2008 Oota D14/502
D560,177 S * 1/2008 Chun et al. D14/125
D560,689 S * 1/2008 Cho D14/496
D563,921 S * 3/2008 Suzuki D14/502
D574,793 S * 8/2008 Kim et al. D14/125

D580,385 S * 11/2008 Tejima et al. D14/500
D589,047 S * 3/2009 Kawase et al. D14/441
D596,198 S * 7/2009 Matsuoka D14/505

FOREIGN PATENT DOCUMENTS

JP D1352221 3/2009

* cited by examiner

Primary Examiner—Raphael Barkai

Assistant Examiner—Randall H Gholson

(74) *Attorney, Agent, or Firm*—Banner & Witcoff, Ltd.

(57) **CLAIM**

The ornamental design for a television tuner, as shown and described.

DESCRIPTION

FIG. 1 is a top, front and right side perspective view of a television tuner showing my new design,

FIG. 2 is a perspective view showing the television tuner with a cover in opened position thereof,

FIG. 3 is a front elevational view thereof,

FIG. 4 is a top plan view thereof,

FIG. 5 is a right side elevational view thereof,

FIG. 6 is a left side elevational view thereof,

FIG. 7 is a bottom plan view thereof,

FIG. 8 is a rear elevational view thereof, and

FIG. 9 is a front elevational view showing the television tuner with the cover in opened position thereof; and,

FIG. 10 is a rear perspective view thereof.

1 Claim, 5 Drawing Sheets

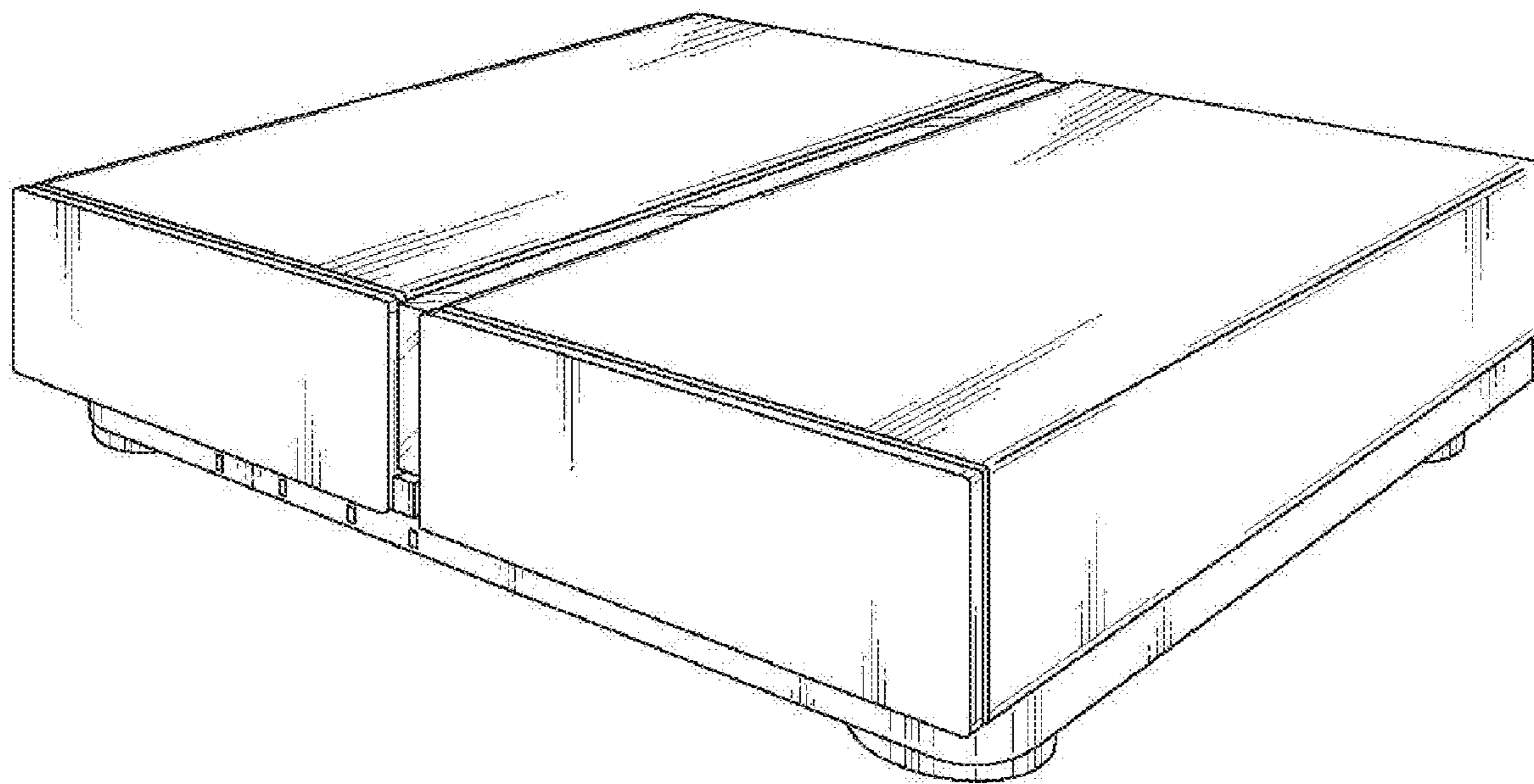


FIG. 1

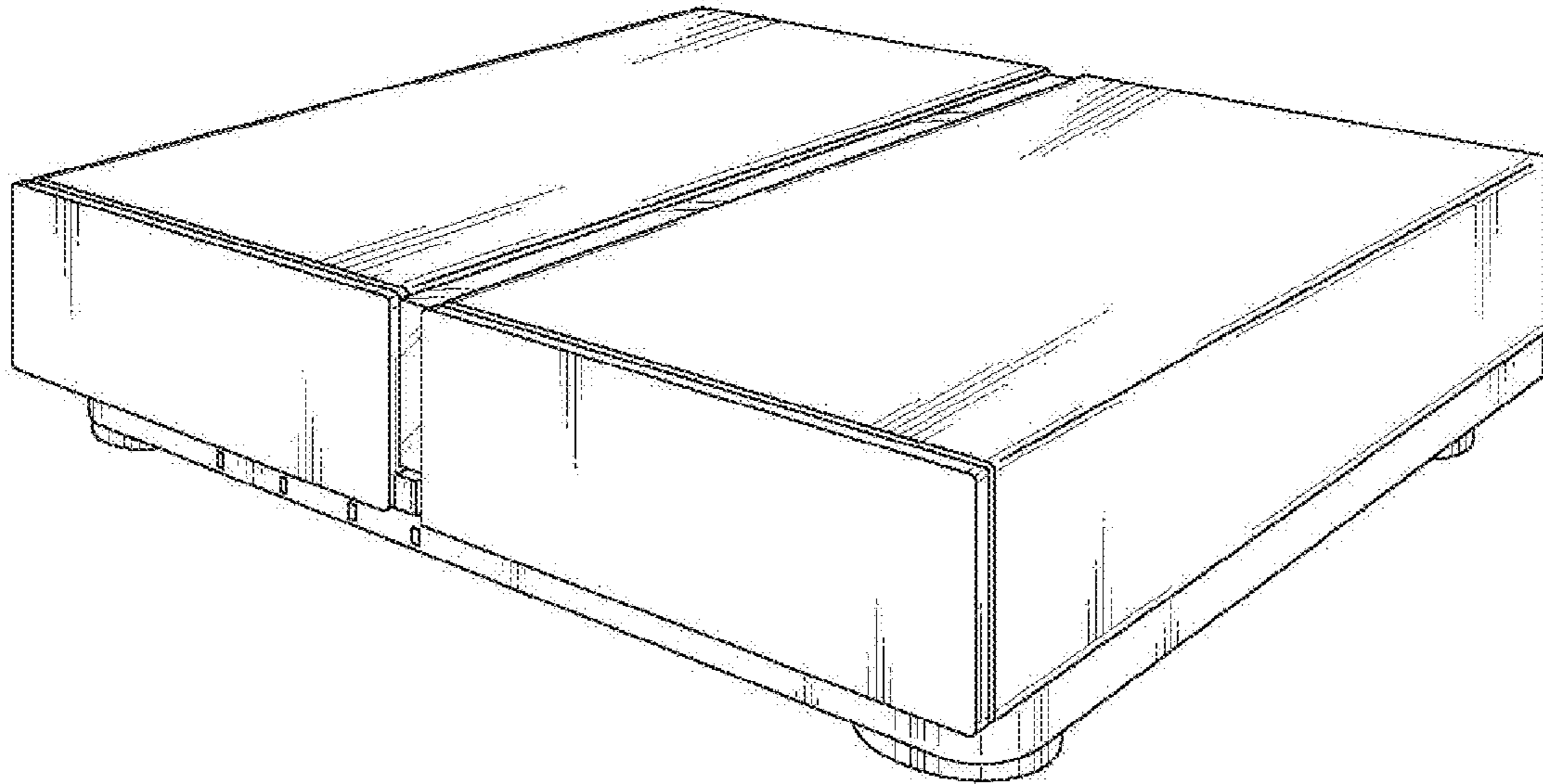


FIG. 2

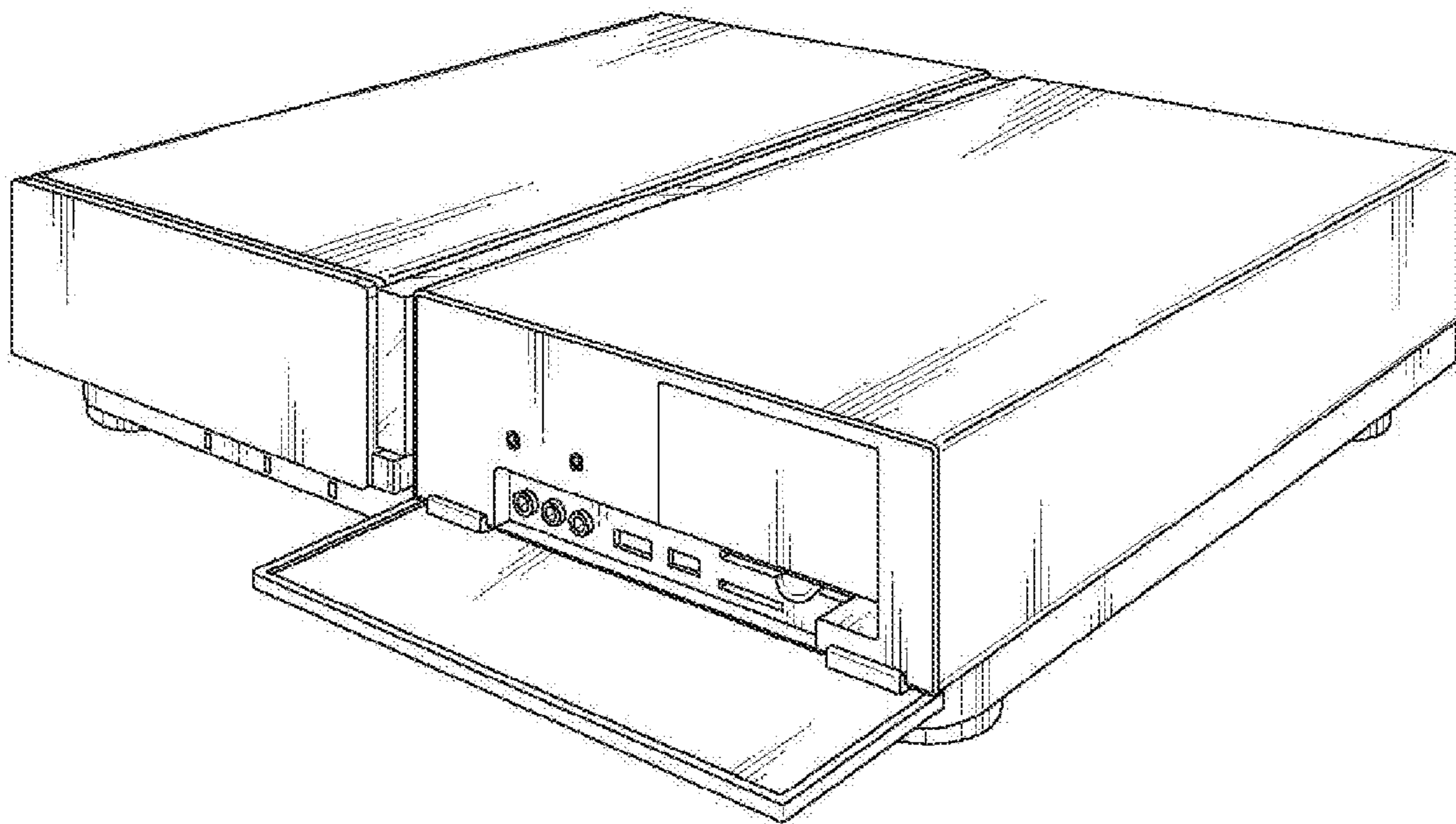


FIG. 3

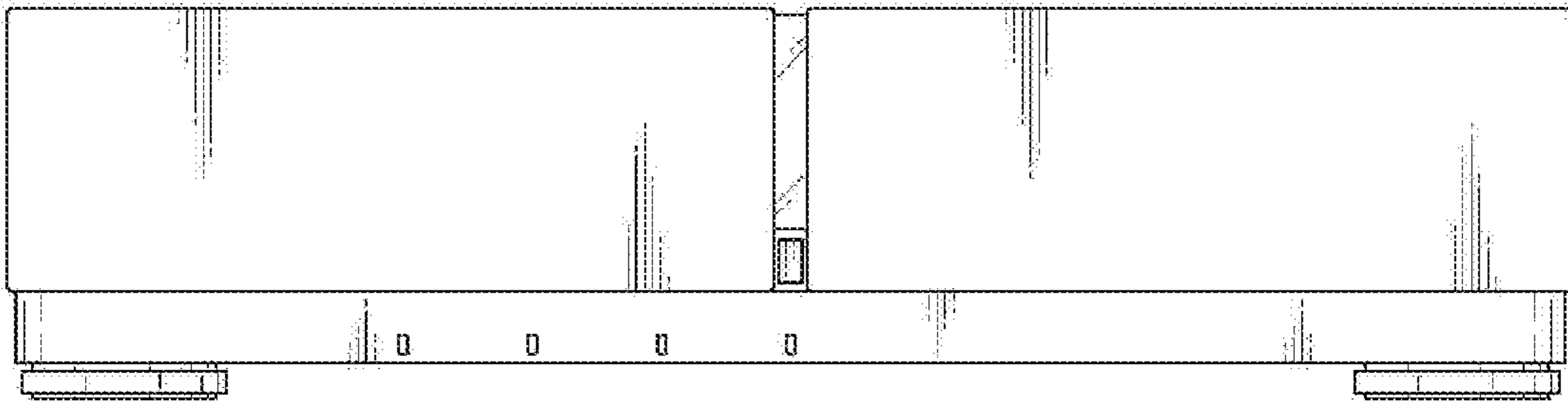


FIG. 4

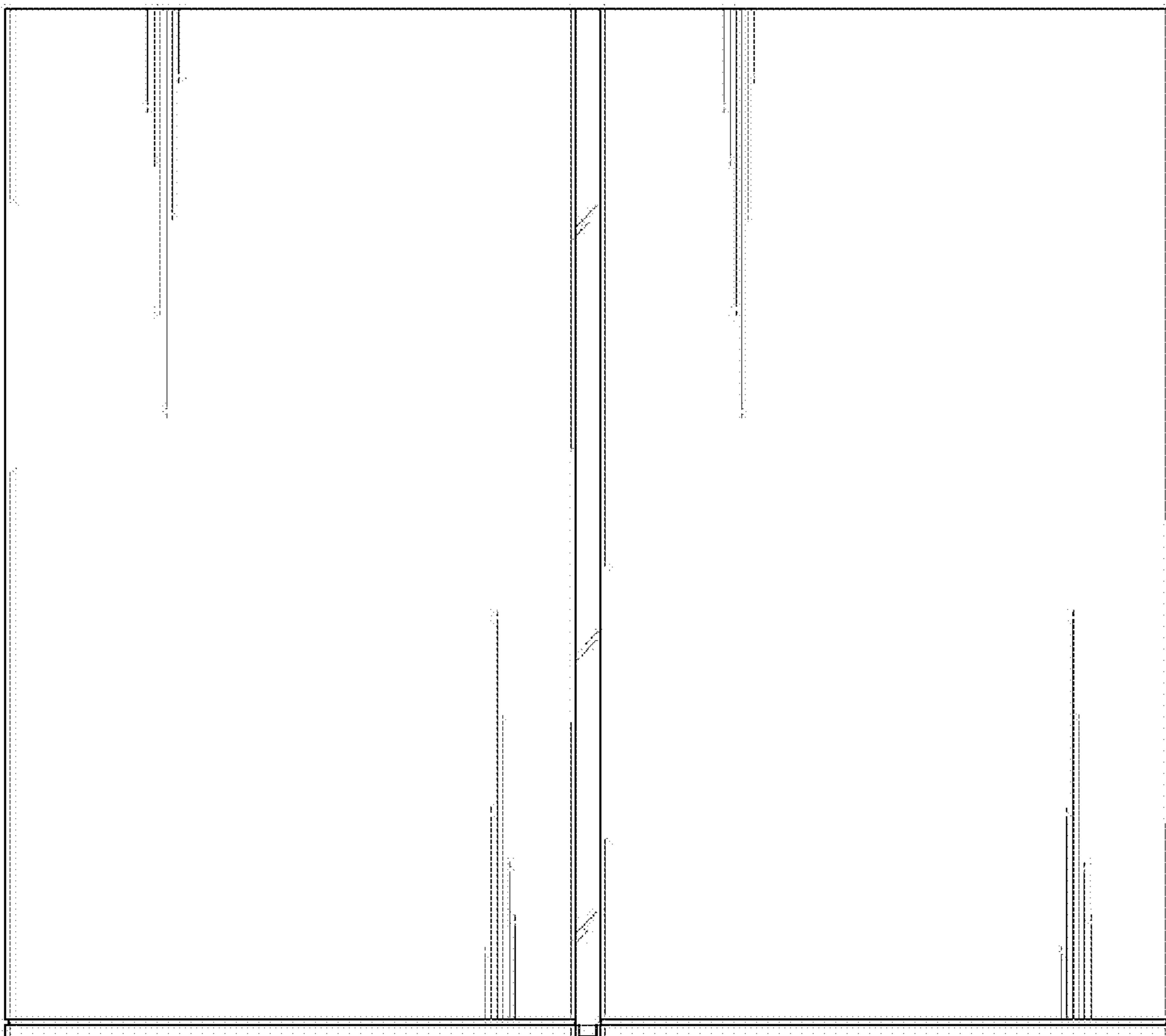


FIG. 5

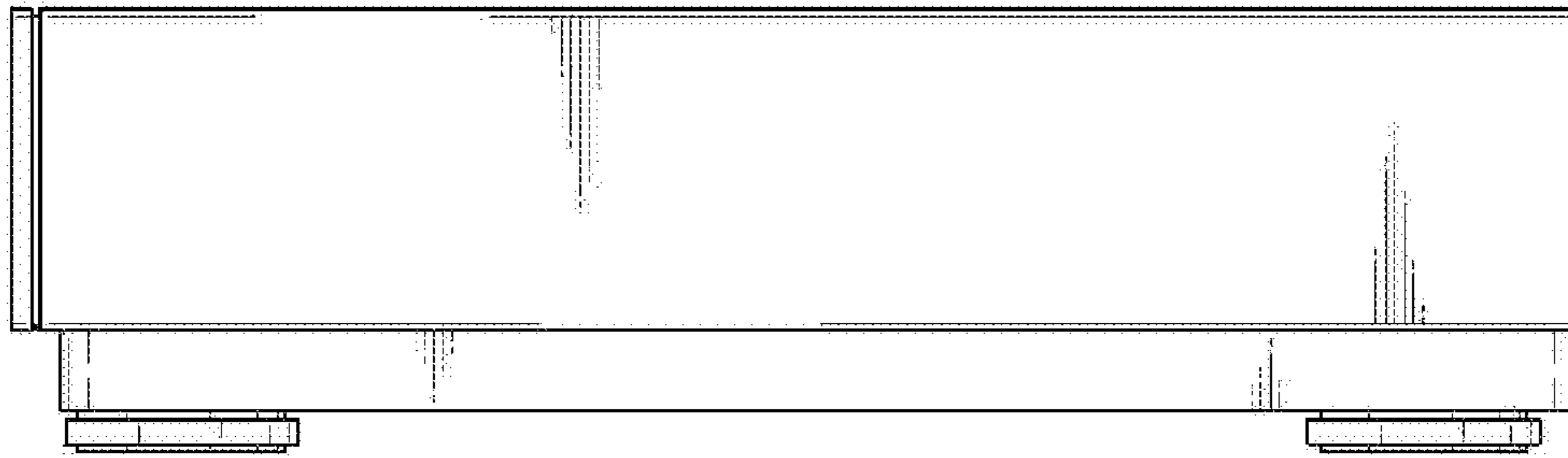


FIG. 6

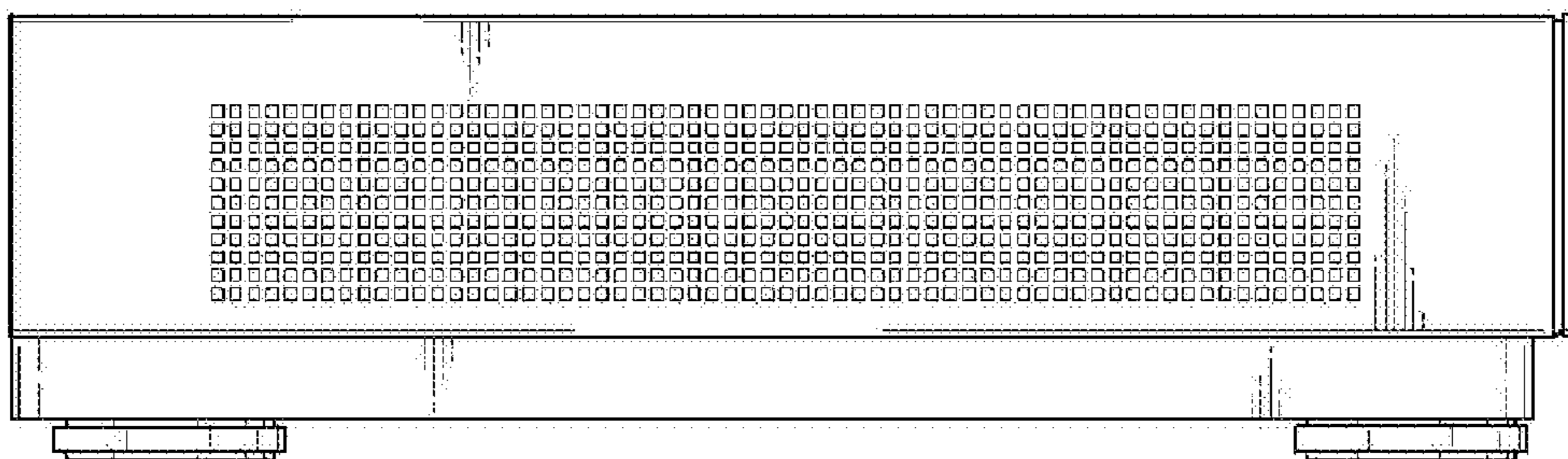


FIG. 7

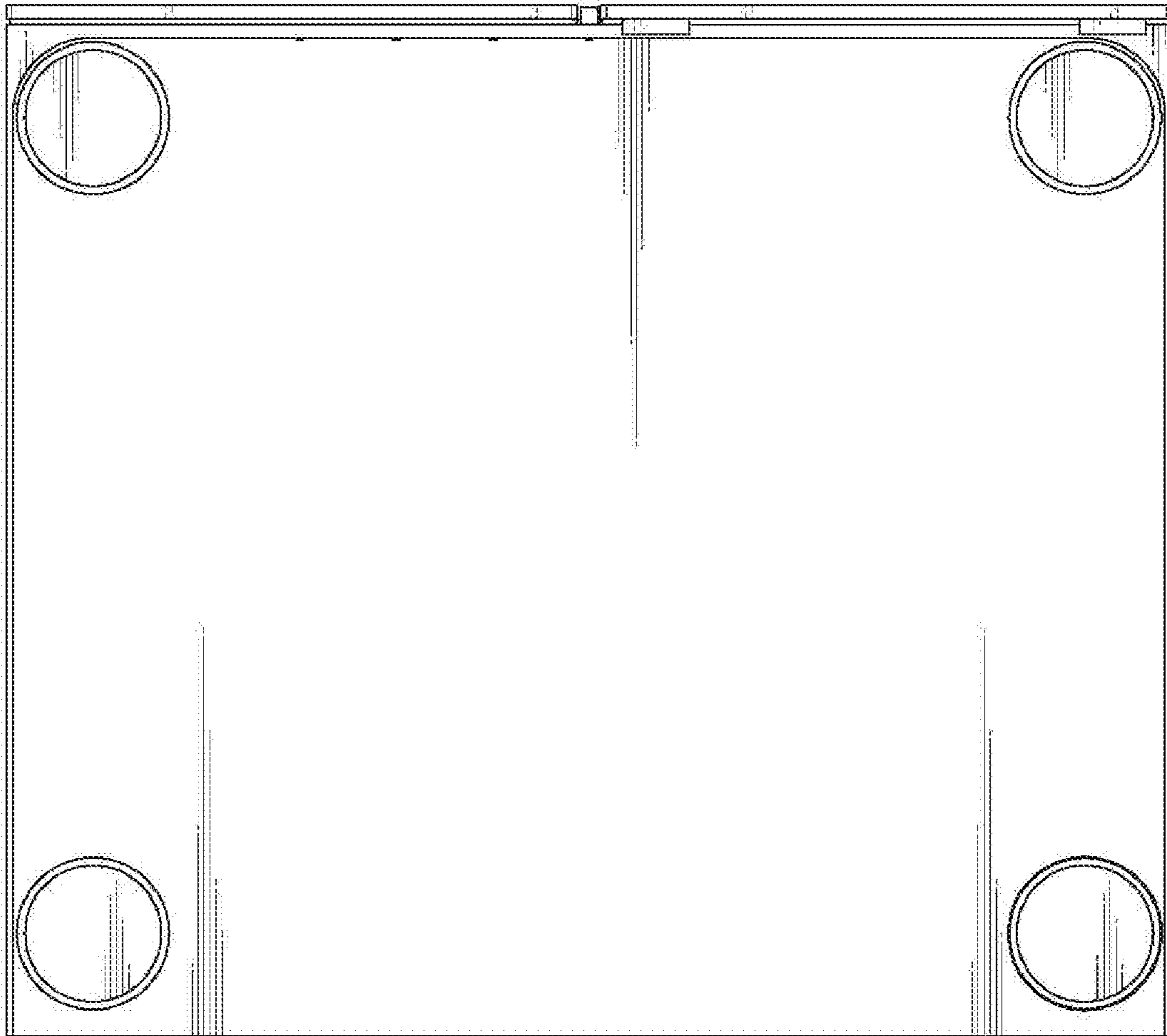


FIG. 8

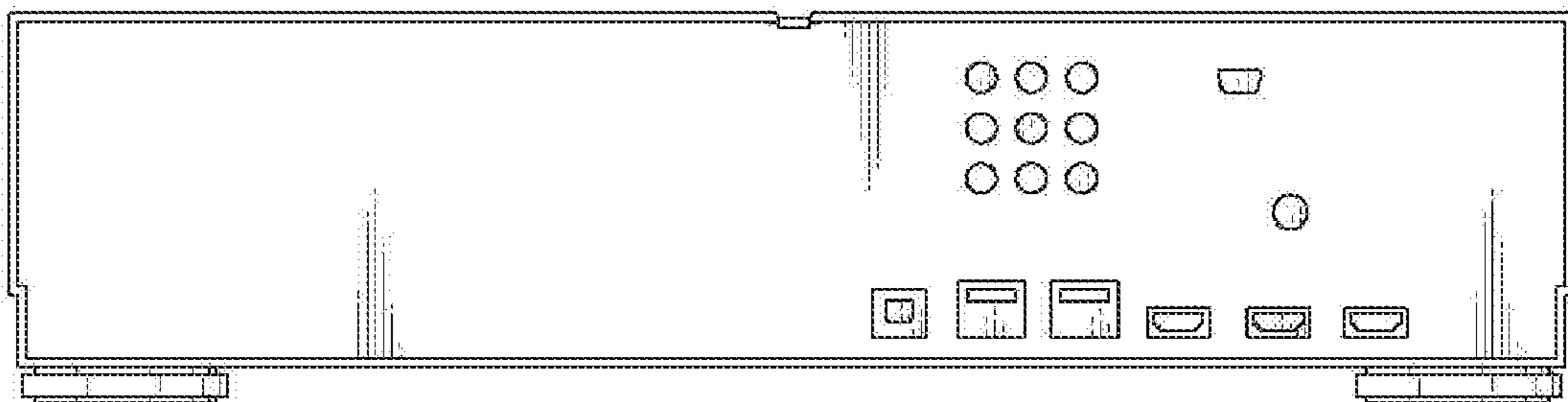


FIG. 9

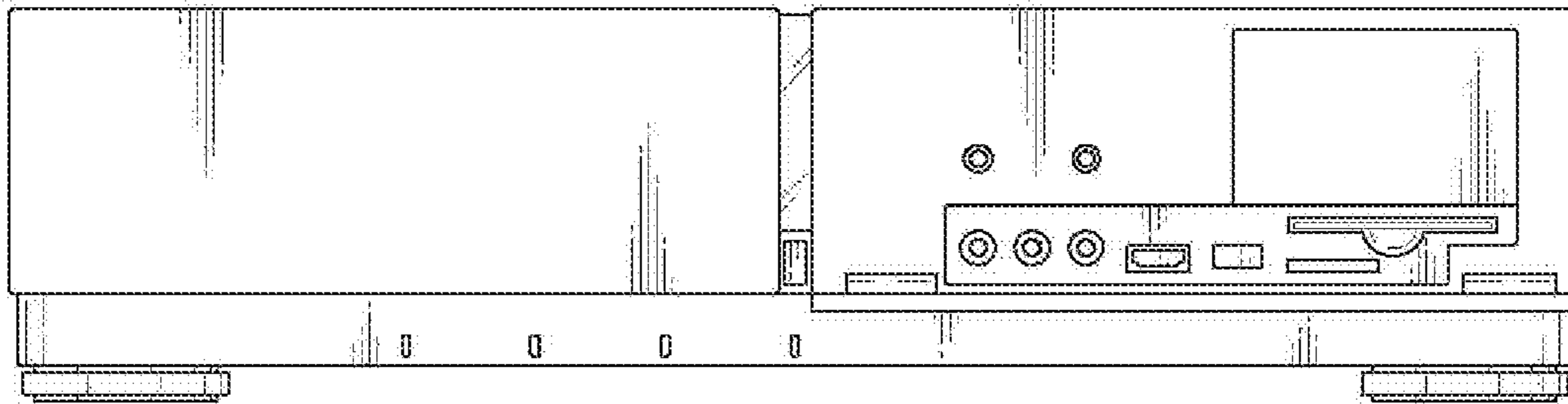


FIG. 10

