



US00D614590S

(12) **United States Design Patent**  
**Lee**

(10) **Patent No.:** **US D614,590 S**  
(45) **Date of Patent:** **\*\* Apr. 27, 2010**

(54) **THERMO ELECTRIC HEAT TRANSFER SYSTEM**

(76) Inventor: **Yong Nak Lee**, 1010 Lonquist Blvd,  
Mount Prospect, IL (US) 60056

(\*\*) Term: **14 Years**

(21) Appl. No.: **29/339,643**

(22) Filed: **Jul. 3, 2009**

(51) **LOC (9) Cl.** ..... **13-03**

(52) **U.S. Cl.** ..... **D13/179**

(58) **Field of Classification Search** ..... D13/179;  
165/80.3, 104.33, 151, 122, 185; 257/706,  
257/707, 718-722; 361/687, 695, 697, 700,  
361/702, 704, 709, 710, 711, 719

See application file for complete search history.

(56) **References Cited**

**U.S. PATENT DOCUMENTS**

5,787,971	A *	8/1998	Dodson	.....	165/121
D398,977	S *	9/1998	Hornig	.....	D23/370
5,953,209	A *	9/1999	Chiu	.....	361/697
6,021,844	A *	2/2000	Batchelder	.....	165/80.3
6,556,442	B2 *	4/2003	Lin	.....	361/697
D509,194	S *	9/2005	Lin et al.	.....	D13/179

7,046,515	B1 *	5/2006	Wyatt et al.	.....	361/697
2004/0035560	A1 *	2/2004	Chen	.....	165/121
2008/0266793	A1 *	10/2008	Lee	.....	361/695

\* cited by examiner

*Primary Examiner*—Selina Sikder

(74) *Attorney, Agent, or Firm*—Our Pal LLC; Pal Asija;  
Robert Johnson

(57) **CLAIM**

I claim the ornamental design for a thermo electric heat transfer system, as shown and described.

**DESCRIPTION**

FIG. 1 is an isometric perspective view of this invention in a heat transfer mode.

FIG. 2 is a front elevation thereof.

FIG. 3 is a side elevation thereof.

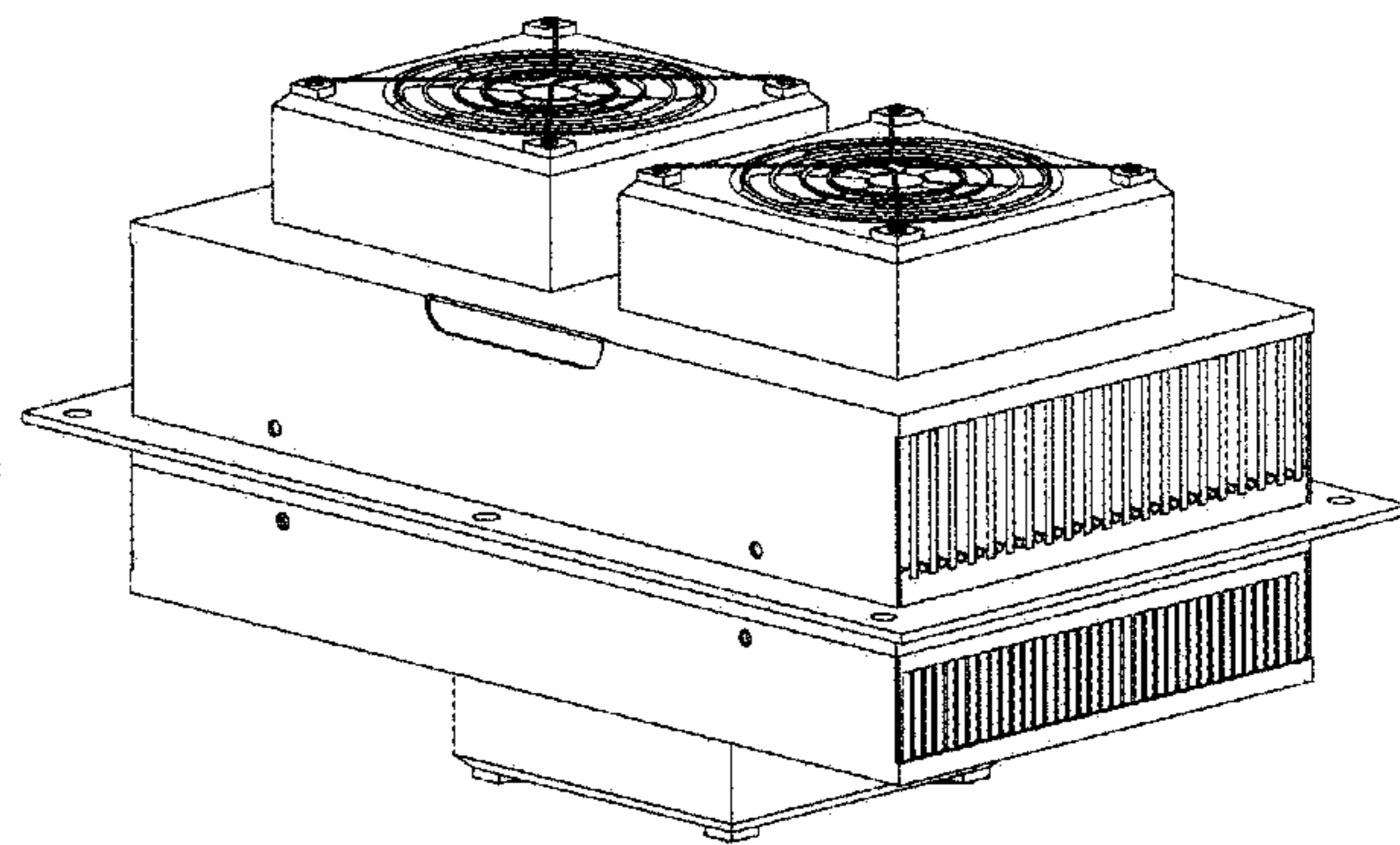
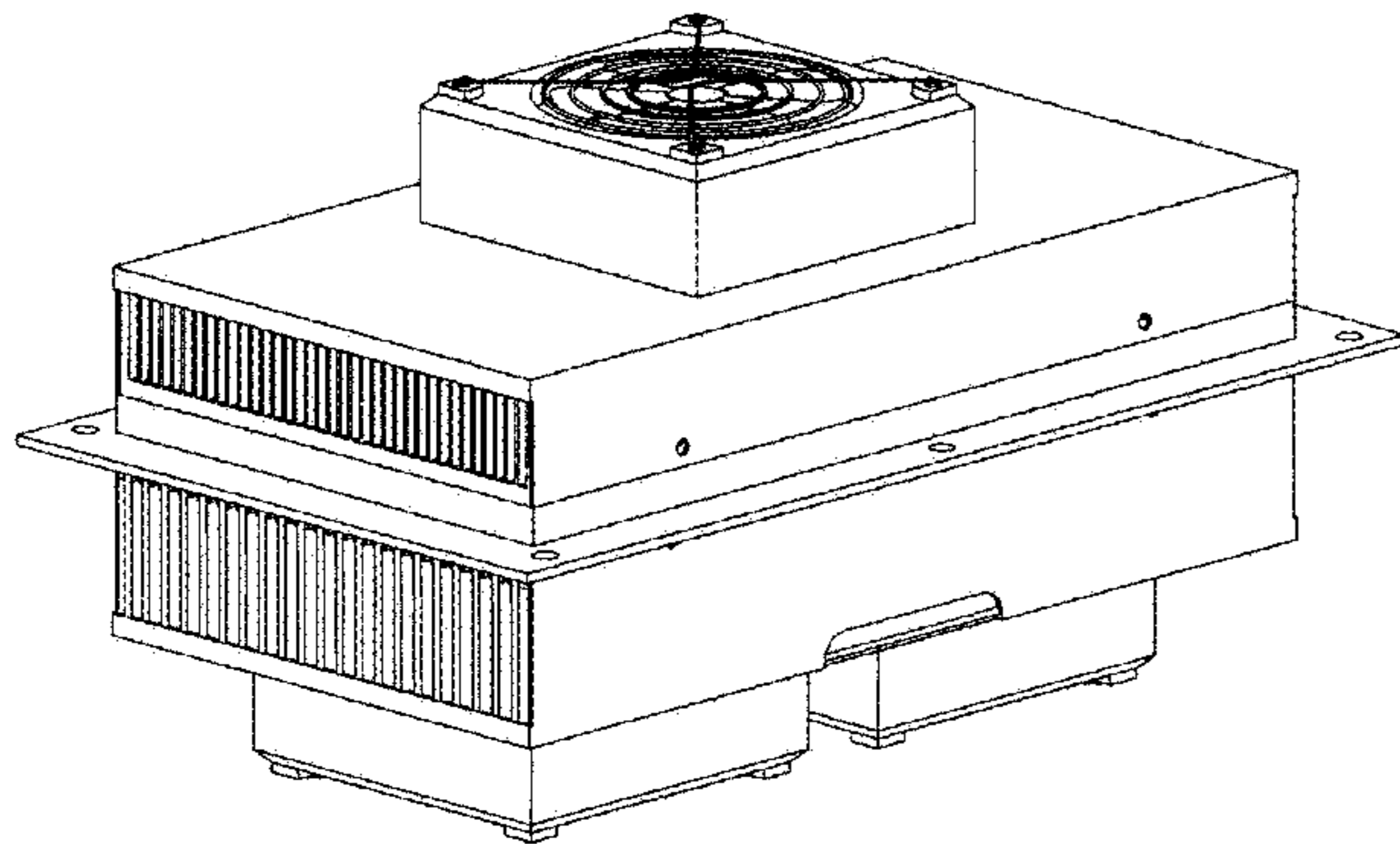
FIG. 4 is an isometric perspective view of this invention in a cooling (Reverse Heat Transfer) mode to that of FIG. 1.

FIG. 5 is bottom plan of FIG. 4

FIG. 6 is top plan thereof; and,

FIG. 7 is an exploded view of FIG. 4.

**1 Claim, 7 Drawing Sheets**



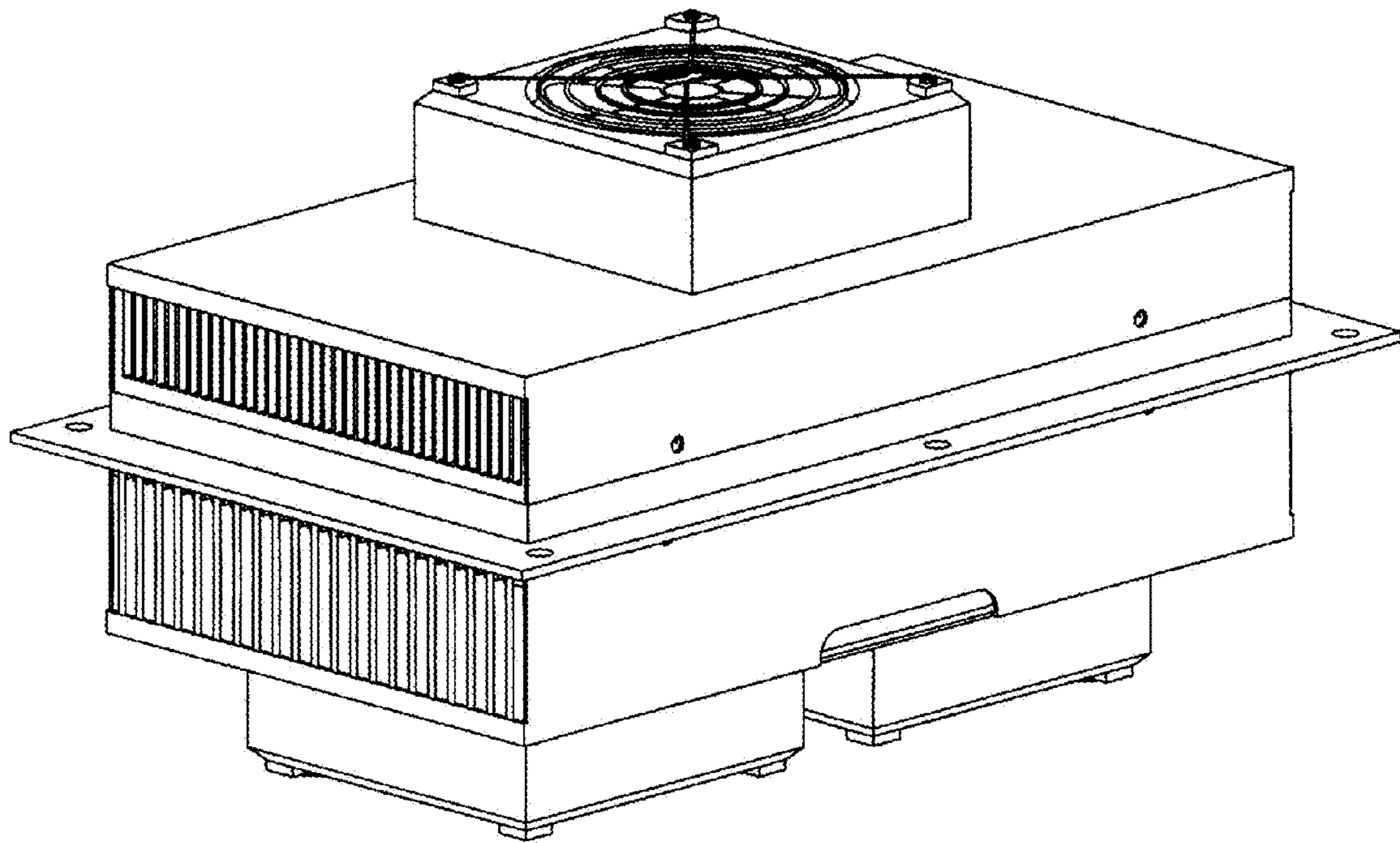


FIG. - 1

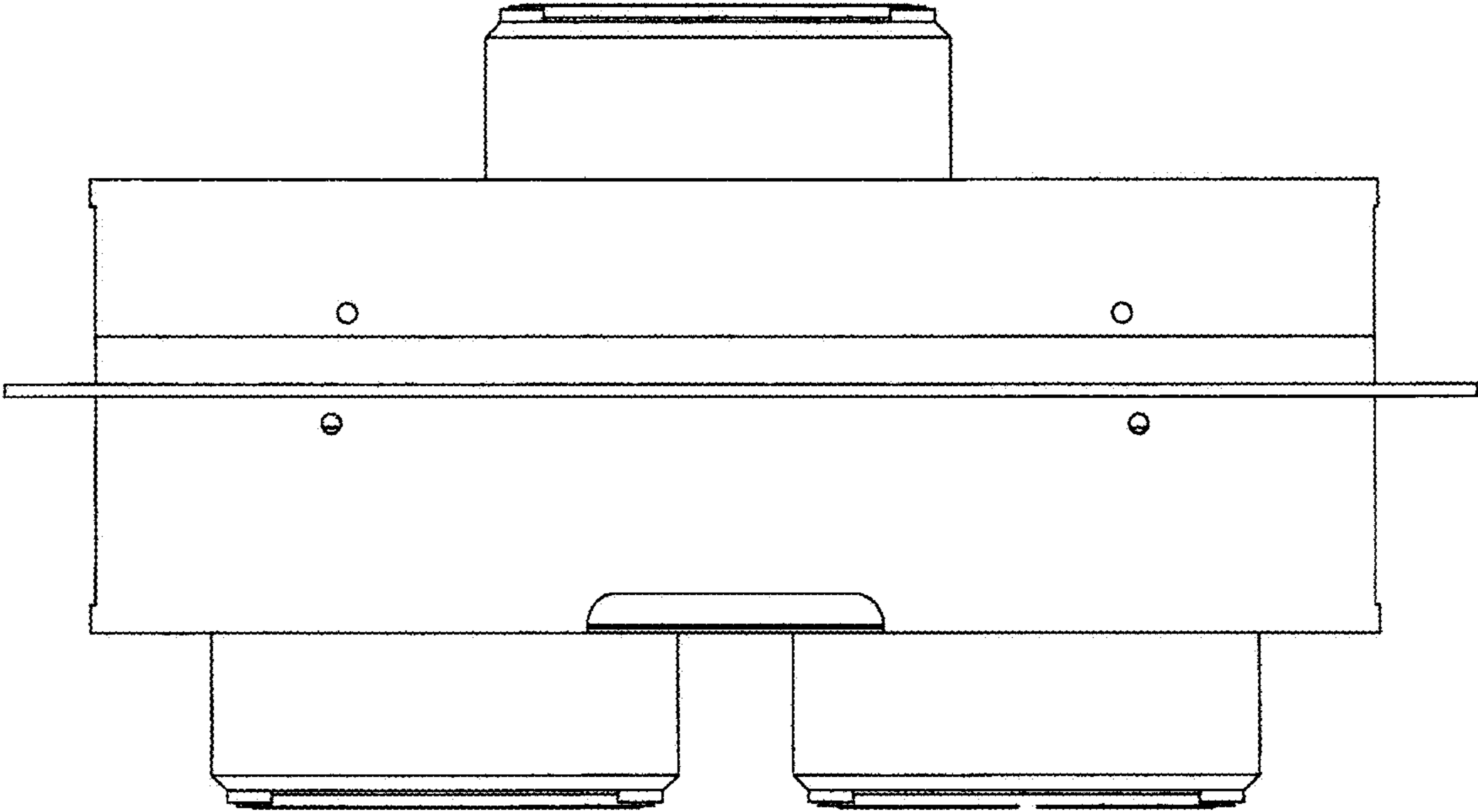
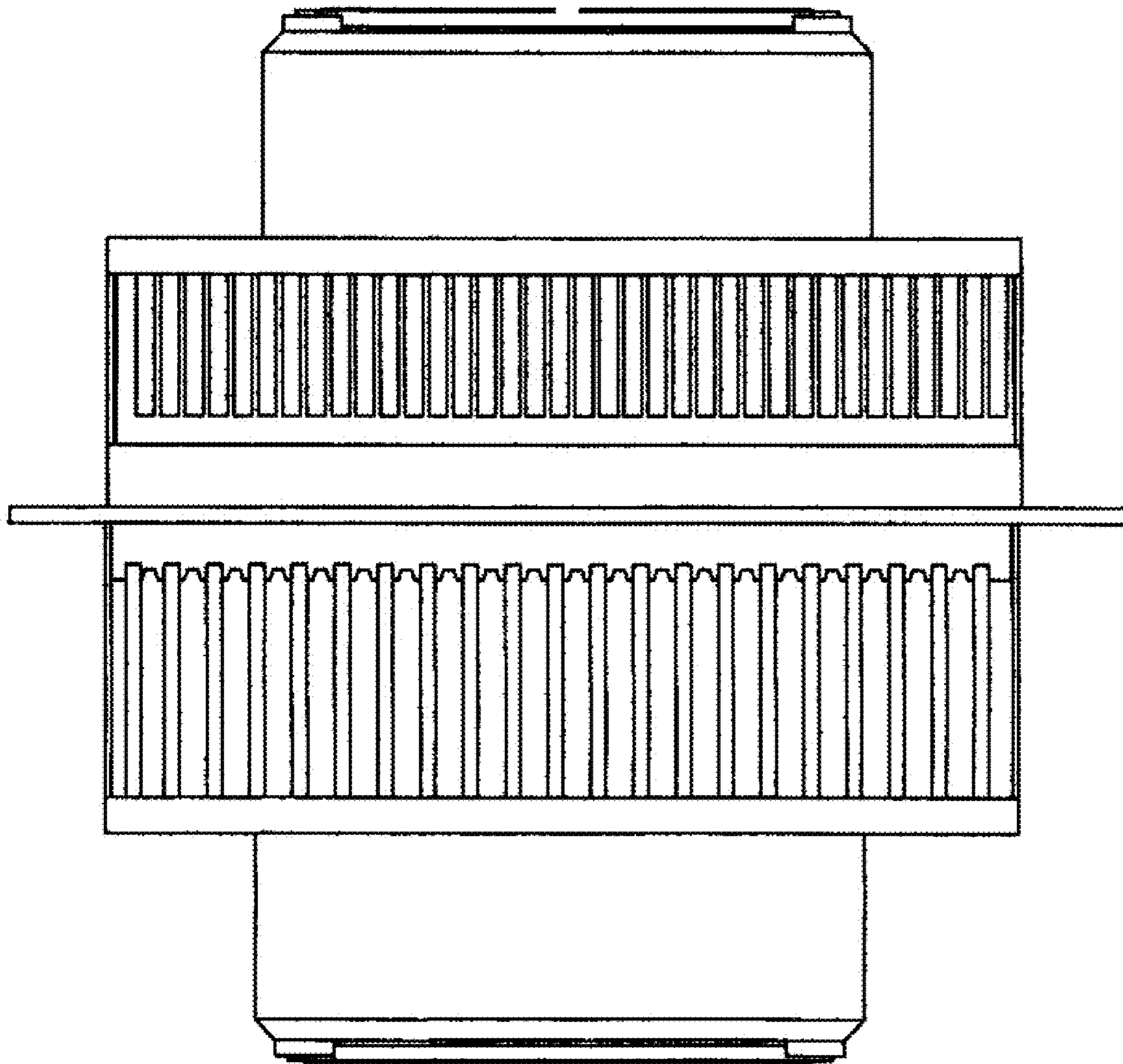


FIG. - 2



**FIG.- 3**

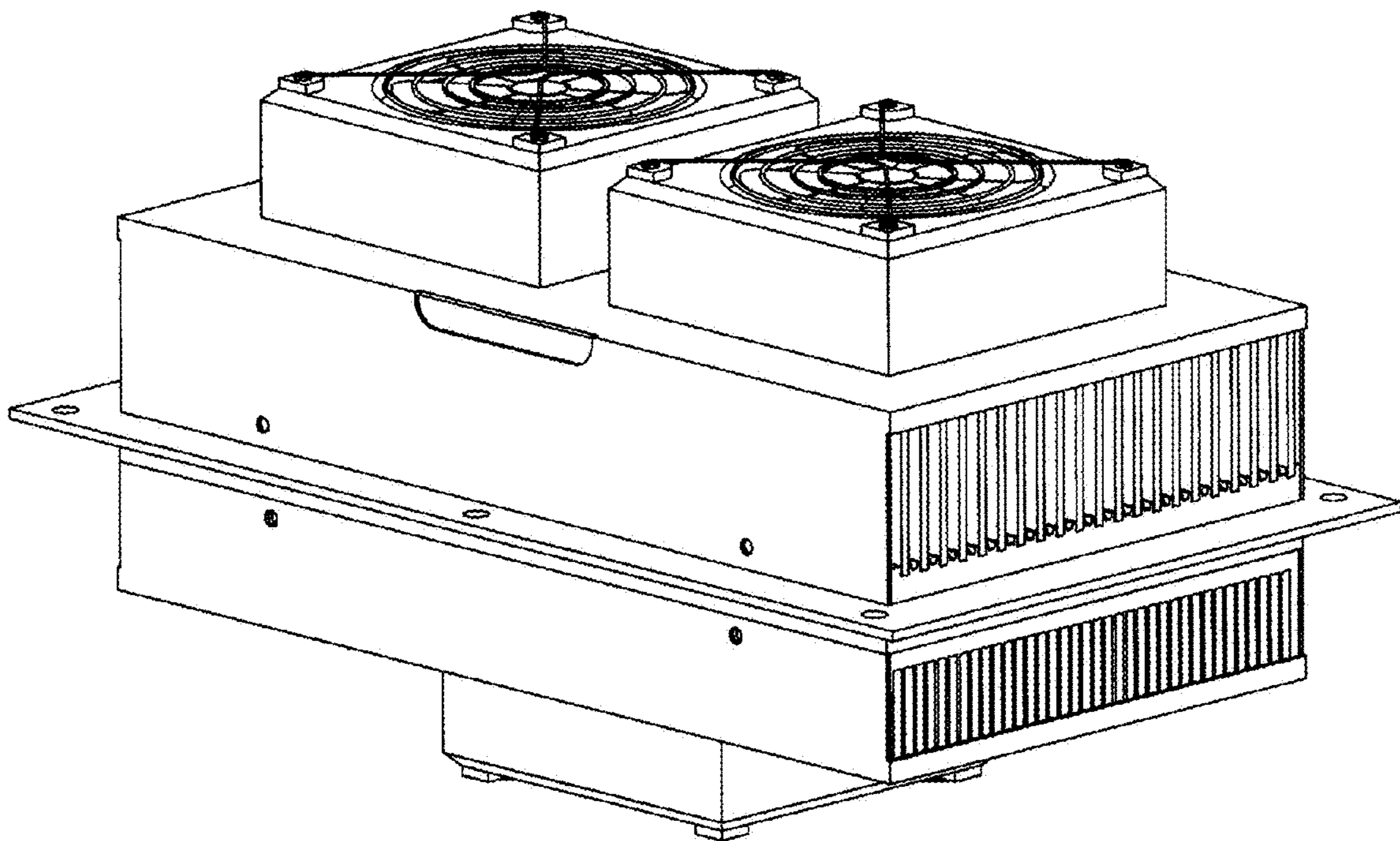


FIG. - 4

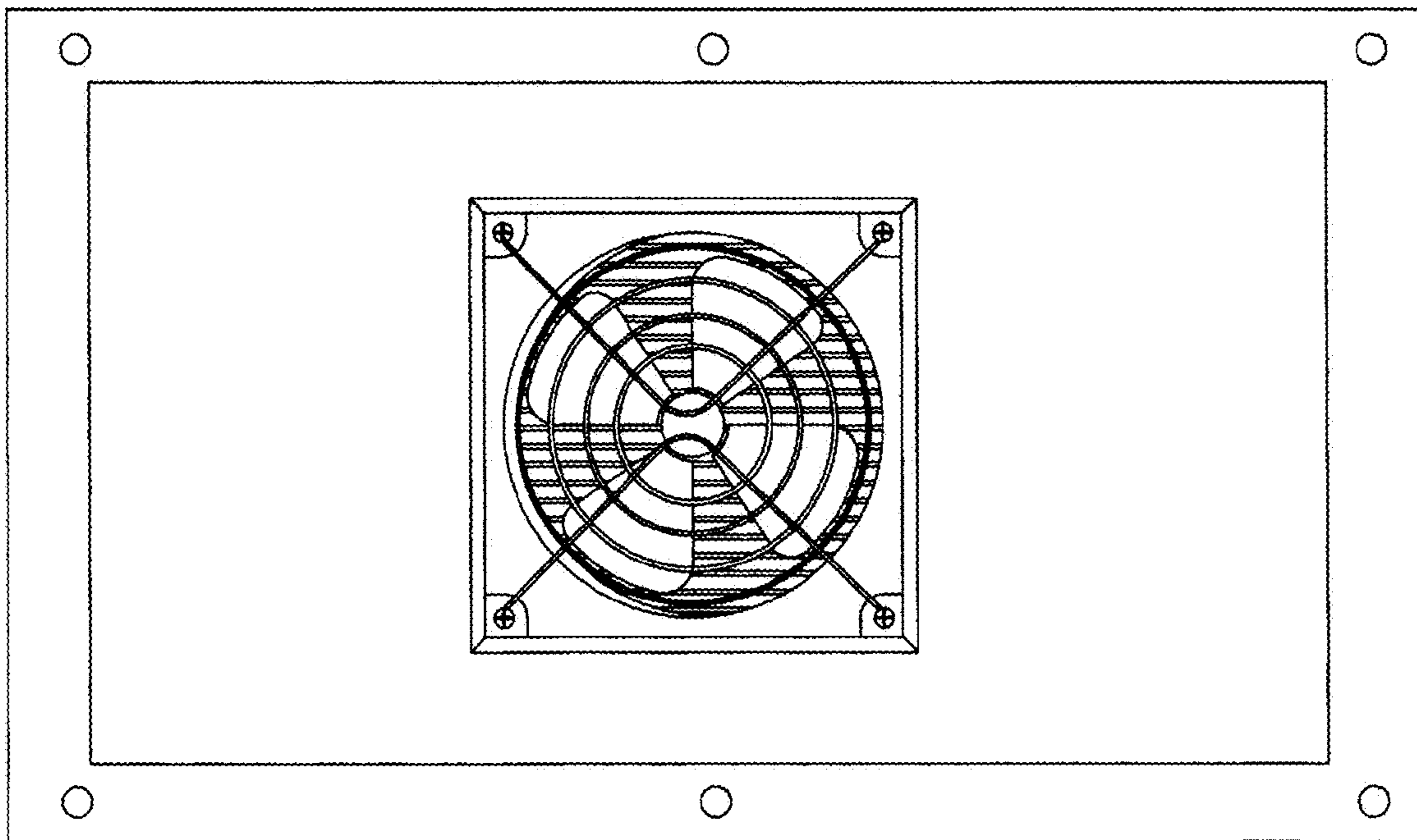


FIG. - 5

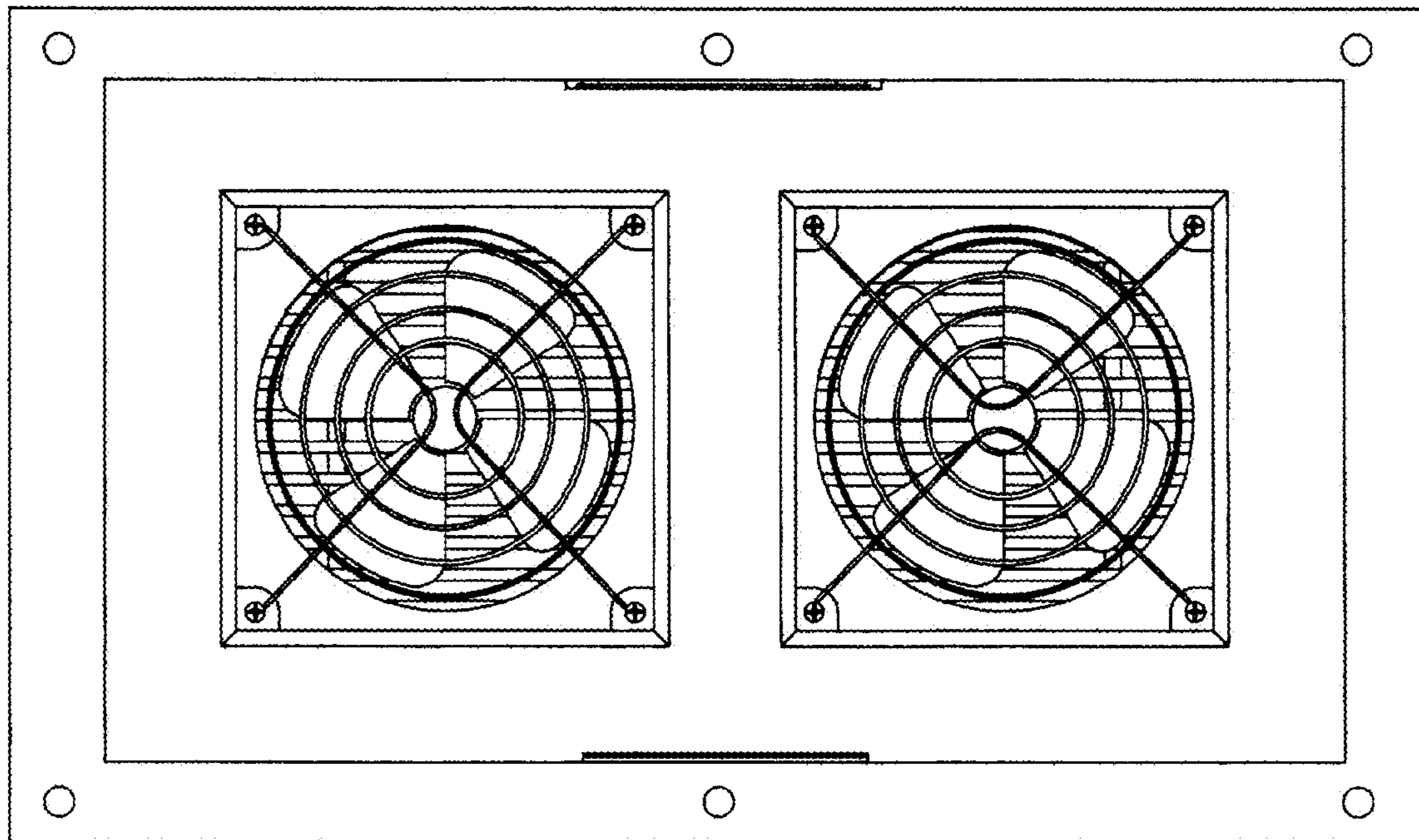


FIG. - 6

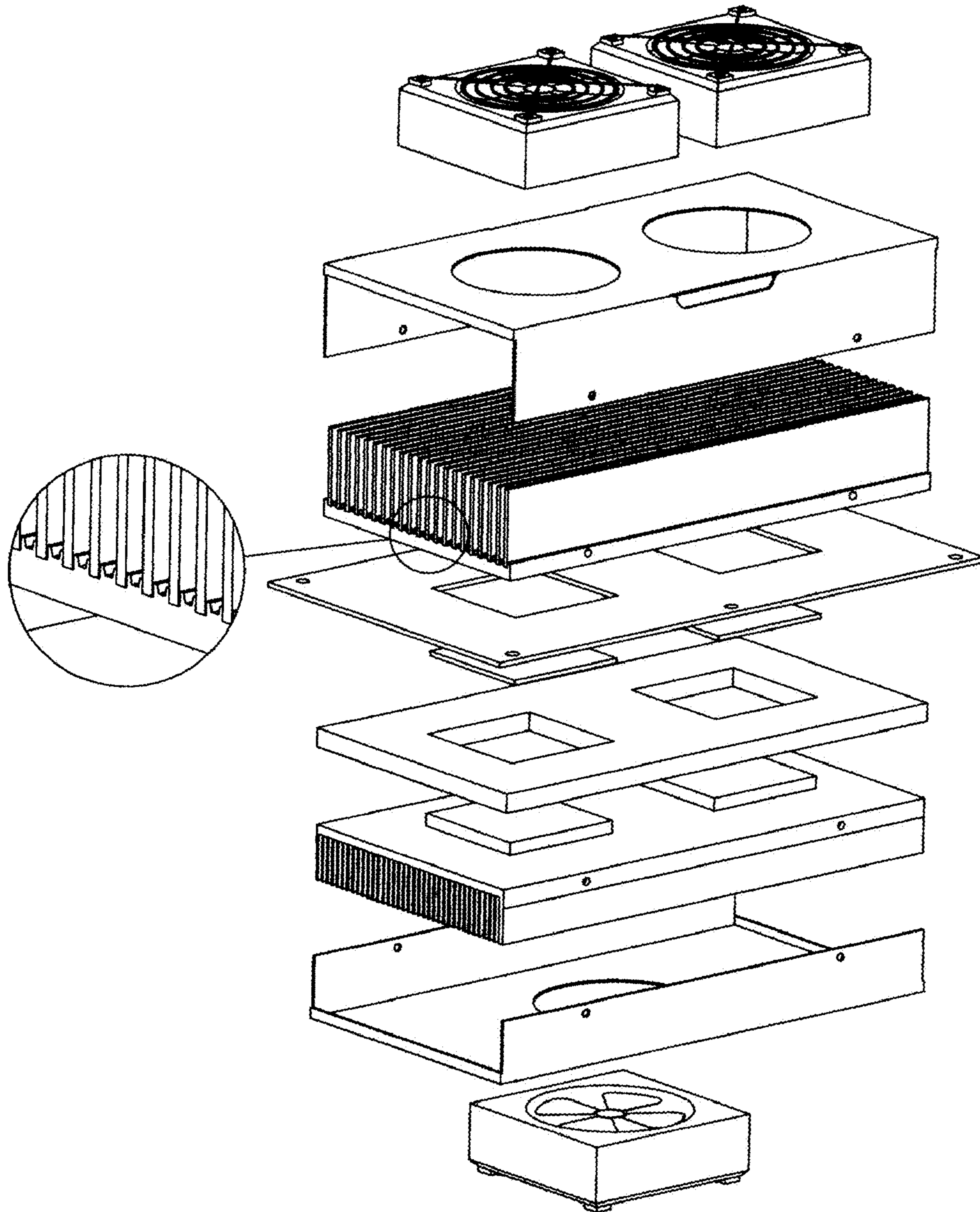


FIG. - 7