



US00D614589S

(12) **United States Design Patent**
Altonen et al.

(10) **Patent No.:** **US D614,589 S**
(45) **Date of Patent:** **** Apr. 27, 2010**

(54) **BUTTONS FOR A LOAD CONTROL DEVICE**

(75) Inventors: **Gregory Altonen**, Easton, PA (US);
Elliot G. Jacoby, Glenside, PA (US);
Noel Mayo, Philadelphia, PA (US); **Joel S. Spira**, Coopersburg, PA (US)

(73) Assignee: **Lutron Electronics Co., Inc.**,
Coopersburg, PA (US)

(**) Term: **14 Years**

(21) Appl. No.: **29/335,141**

(22) Filed: **Apr. 9, 2009**

Related U.S. Application Data

(62) Division of application No. 29/306,226, filed on Apr. 4, 2008, now Pat. No. Des. 592,611.

(51) **LOC (9) Cl.** **13-03**

(52) **U.S. Cl.** **D13/174; D13/168**

(58) **Field of Classification Search** D13/171,
D13/174; 174/66; 200/5 R, 5 A, 1 B, 293,
200/296, 329, 406, 513, 520, 530, 302.1,
200/302.2, 314, 315, 341, 344; 315/291-296;
338/198-200

See application file for complete search history.

(56) **References Cited**

U.S. PATENT DOCUMENTS

- D323,488 S 1/1992 Darnell et al.
- D353,798 S 12/1994 Bryde et al.
- D422,567 S 4/2000 Mayo et al.
- D437,585 S 2/2001 Mayo et al.
- D439,220 S 3/2001 Mayo et al.
- D450,043 S 11/2001 Mosebrook
- D518,447 S 4/2006 Spira
- D525,948 S 8/2006 Blair et al.
- D537,046 S 2/2007 Blair et al.
- D539,234 S 3/2007 Blair et al.
- D539,758 S 4/2007 Blair et al.
- D543,158 S 5/2007 Blair et al.
- D543,951 S 6/2007 Blair et al.

- D546,296 S 7/2007 Blair et al.
- D573,955 S 2/2009 Bhate et al.
- D585,844 S 2/2009 Bhate et al.
- D592,606 S 5/2009 Felegy, Jr. et al.
- D592,607 S 5/2009 Felegy, Jr. et al.
- D592,608 S 5/2009 Felegy, Jr. et al.
- D592,609 S 5/2009 Felegy, Jr. et al.
- D592,611 S * 5/2009 Altonen et al. D13/171

(Continued)

OTHER PUBLICATIONS

Lutron Electronics Co., Inc., RadioRA Visor Control Transmitter Specification Submittal Sheet, Jan. 2002, 2 pages.

(Continued)

Primary Examiner—Selina Sikder

(74) *Attorney, Agent, or Firm*—Mark E. Rose; Philip N. Smith; Bridget L. McDonough

(57) **CLAIM**

We claim the ornamental design for buttons for a load control device, as shown and described.

DESCRIPTION

FIG. 1 is a perspective view of buttons for a load control device according to our new design.

FIG. 2 is a front view thereof.

FIG. 3 is a left side view thereof.

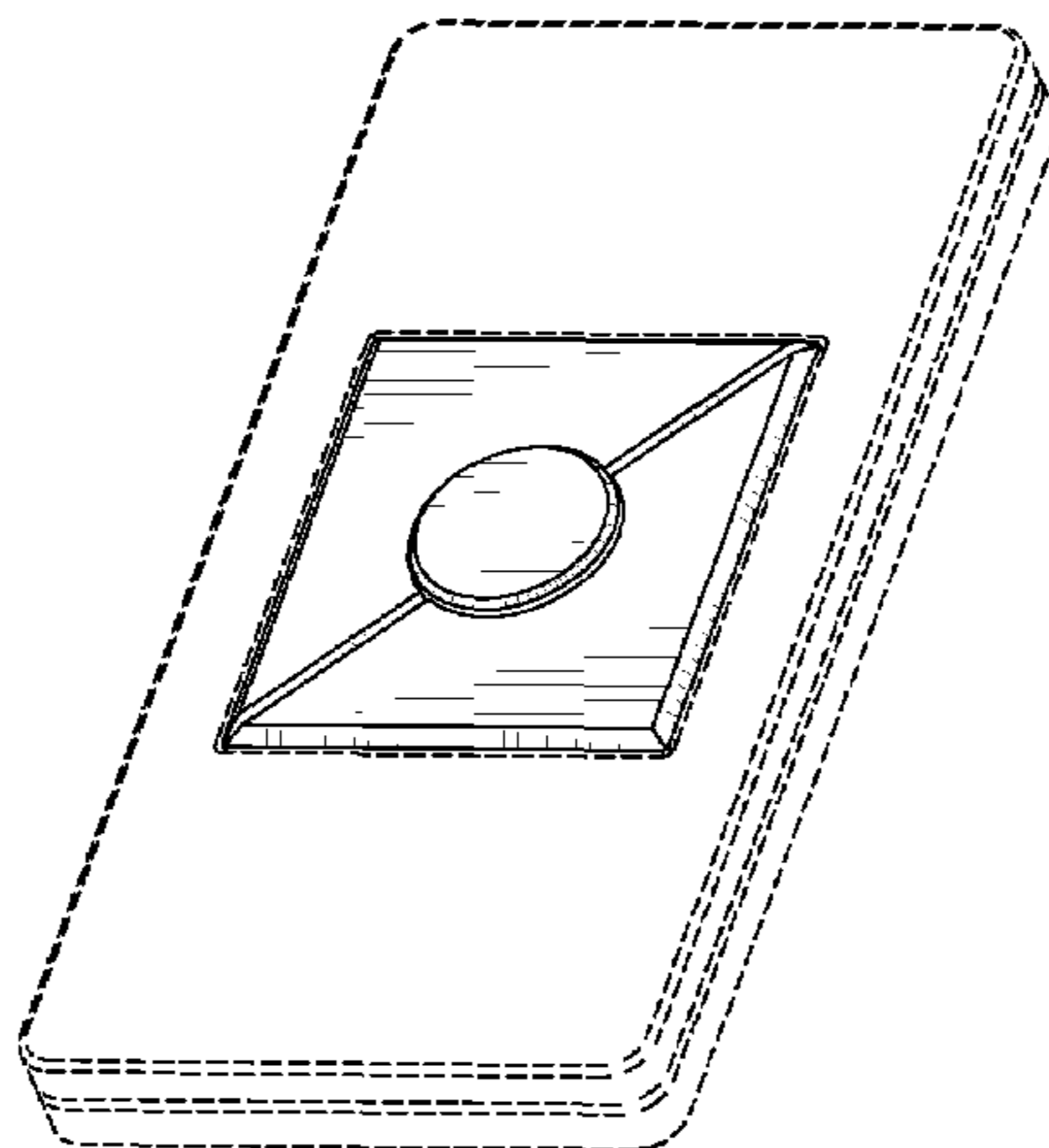
FIG. 4 is a right side view thereof.

FIG. 5 is a top view thereof; and,

FIG. 6 is a bottom view thereof.

The rear view forms no part of the design and is omitted. The portions of the drawings appearing in broken line are for environment only and do not form a part of the claimed design.

1 Claim, 4 Drawing Sheets



US D614,589 S

Page 2

U.S. PATENT DOCUMENTS

2008/0111491 A1 5/2008 Spira
2008/0218099 A1 9/2008 Newman

OTHER PUBLICATIONS

Lutron Electronics Co., Inc., RadioRA Visor Control Transmitter
Installation Instruction Sheet, Nov. 2001, 2 pages.

Lutron Electronics Co., Inc., Aurora Wireless Lighting Control Brochure, Nov. 2006, 2 pages.

Lutron Electronics Co., Inc., Maestro Wireless Remote Lighting Control Brochure, Sep. 2007, 2 pages.

U.S. Appl. No. 61/042,421, filed Apr. 4, 2008, Altonen et al.

U.S. Appl. No. 29/335,133, filed Apr. 9, 2009, Felegy, Jr. et al.

* cited by examiner

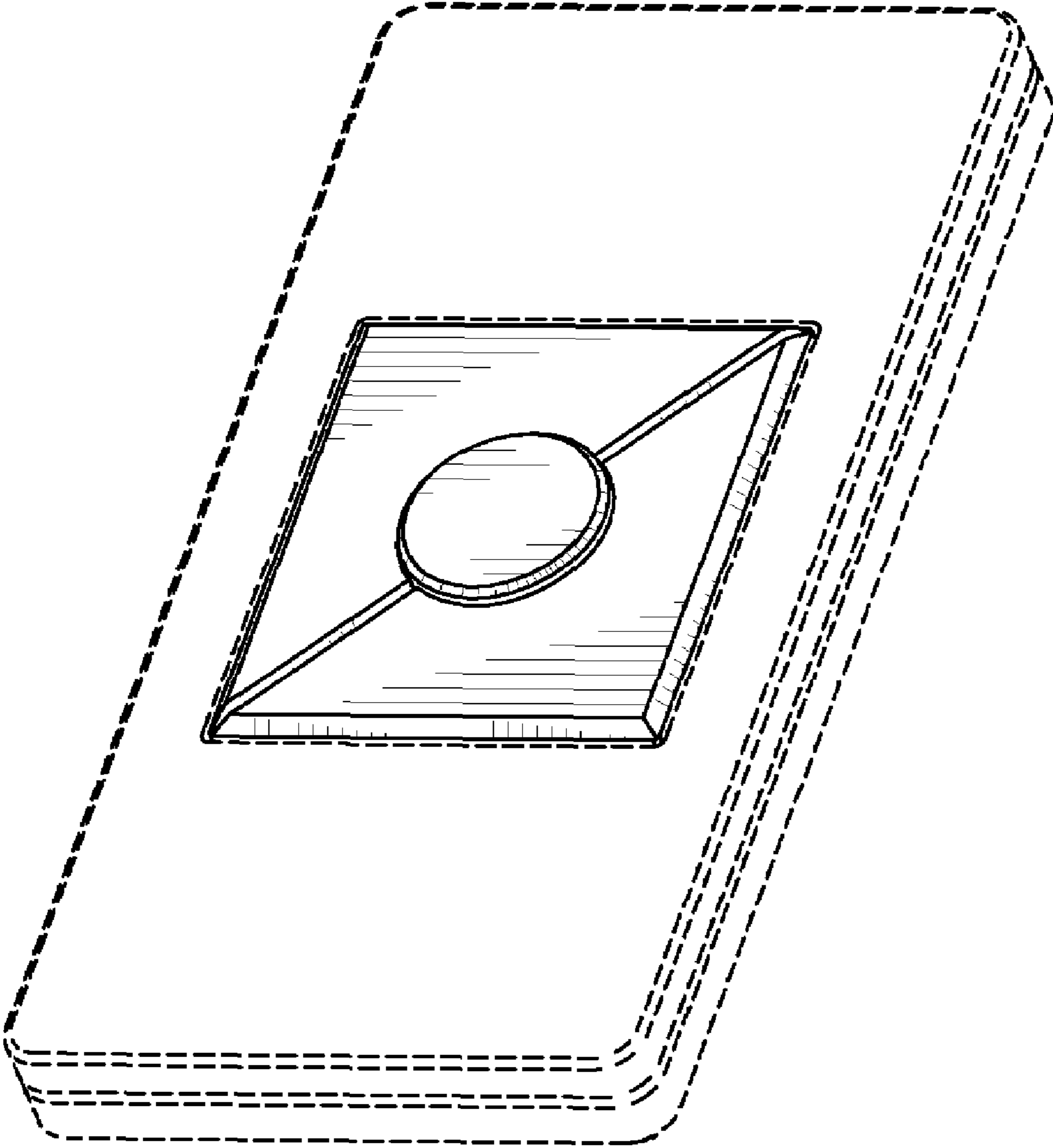


Fig. 1

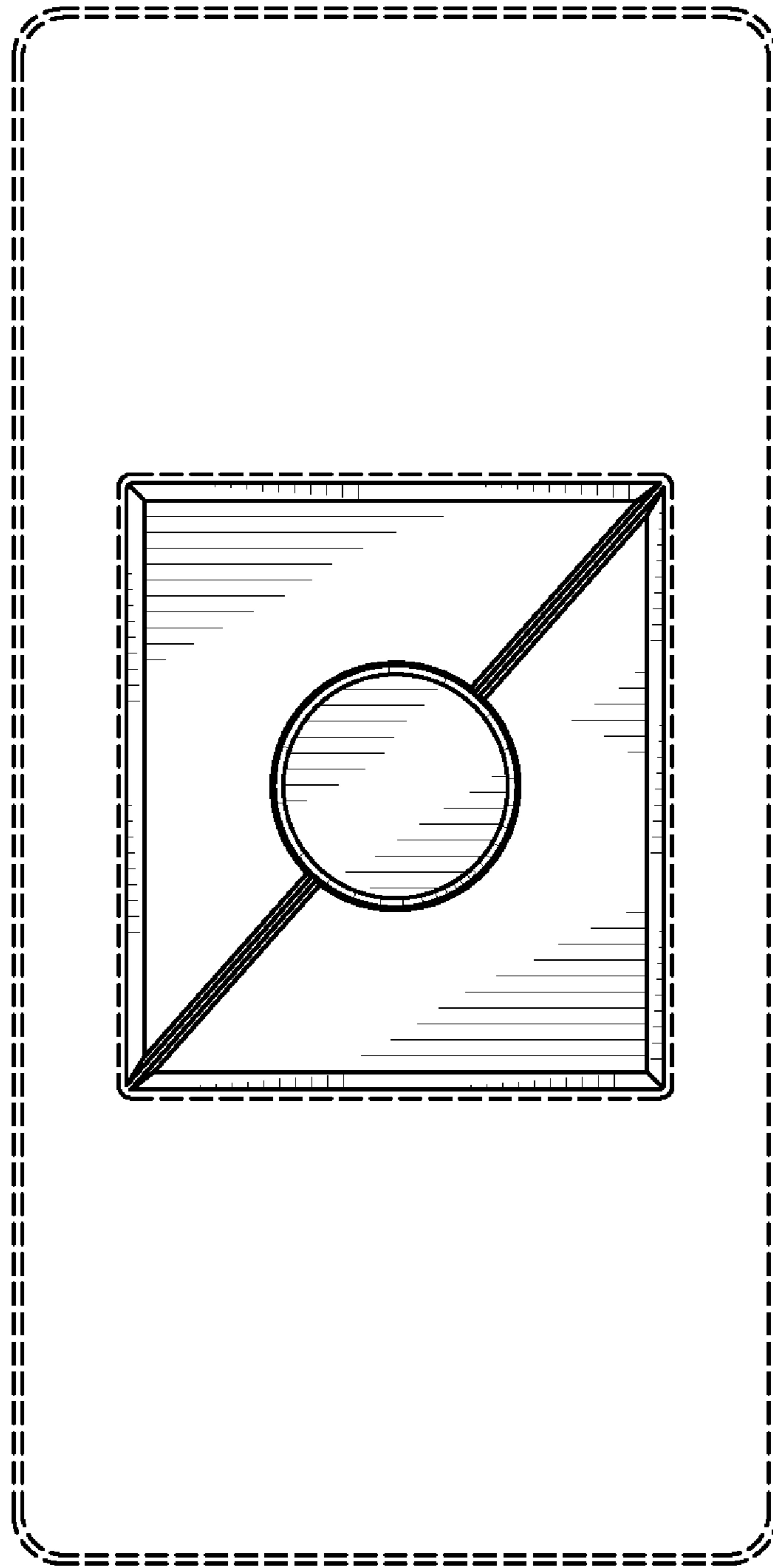


Fig. 2

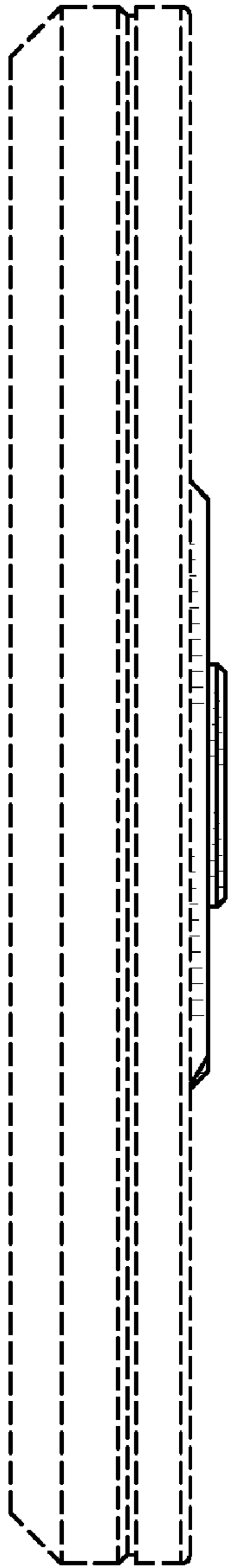


Fig. 3

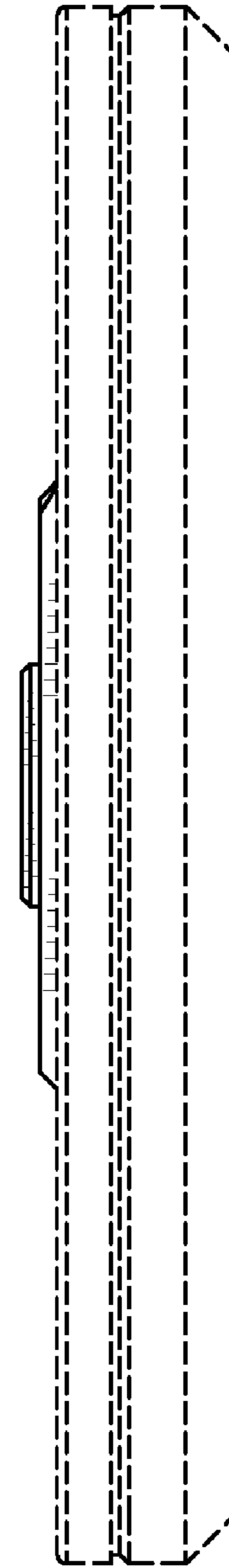


Fig. 4



Fig. 5

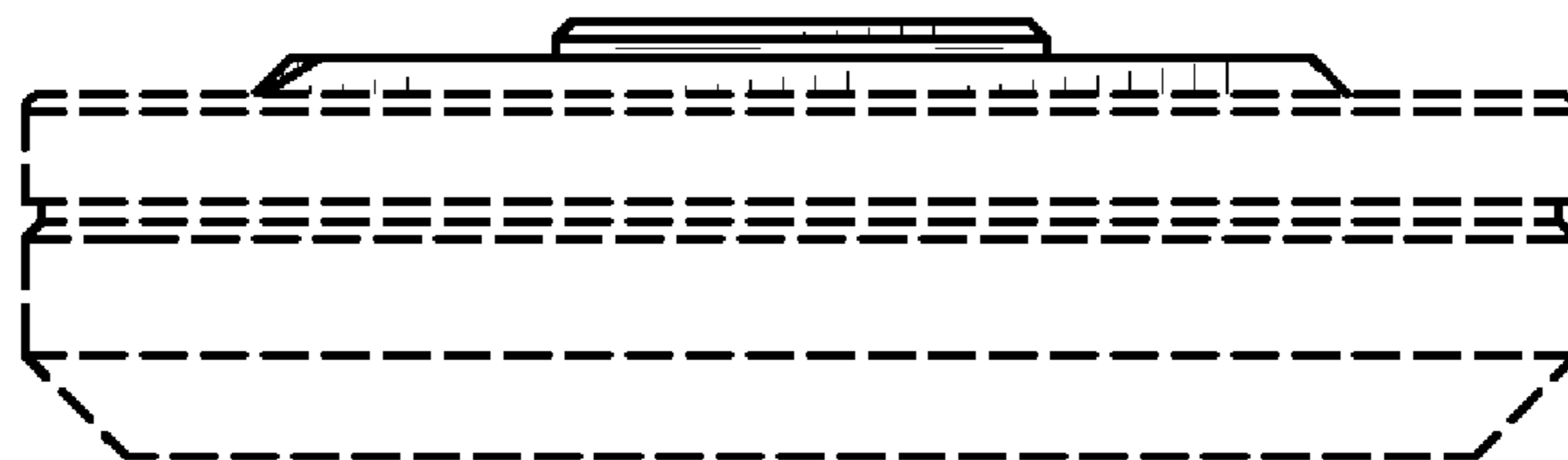


Fig. 6