



US00D614586S

(12) **United States Design Patent**
Kinoshita

(10) **Patent No.:** **US D614,586 S**

(45) **Date of Patent:** **** Apr. 27, 2010**

(54) **PHOTO INTERRUPTER**

(75) Inventor: **Jo Kinoshita**, Fujiyoshida (JP)

(73) Assignee: **Citizen Electronics Co., Ltd.**,
Yamanashi (JP)

(**) Term: **14 Years**

(21) Appl. No.: **29/329,818**

(22) Filed: **Dec. 22, 2008**

(30) **Foreign Application Priority Data**

Jun. 20, 2008 (JP) 2008-015909
Jun. 20, 2008 (JP) 2008-015910

(51) **LOC (9) Cl.** **13-03**

(52) **U.S. Cl.** **D13/165**

(58) **Field of Classification Search** D13/165,
D13/182; 250/551; 257/80, 82
See application file for complete search history.

(56) **References Cited**

U.S. PATENT DOCUMENTS

4,933,729 A * 6/1990 Soejima et al. 257/82
5,214,495 A * 5/1993 Kitanishi 257/80
5,291,038 A * 3/1994 Hanamoto et al. 257/82
5,436,472 A * 7/1995 Ogawa 257/82
5,672,884 A * 9/1997 Muhleck et al. 250/551
D531,583 S * 11/2006 Suzuki D13/165
D533,141 S * 12/2006 Suzuki D13/165
D542,232 S * 5/2007 Suzuki D13/165
7,453,079 B2 * 11/2008 Sano 250/551

7,459,711 B2 * 12/2008 Suzuki 250/551
2005/0056796 A1 * 3/2005 Takeuchi 250/551
2007/0018123 A1 * 1/2007 Sano 250/551

* cited by examiner

Primary Examiner—Selina Sikder

(74) *Attorney, Agent, or Firm*—Browdy and Neimark, PLLC

(57) **CLAIM**

The ornamental design for a photo interrupter, as shown and described here.

DESCRIPTION

FIG. 1 is a perspective view of the photo interrupter in accordance with my new design, showing an upper surface and side surfaces thereof as viewed from diagonally above;

FIG. 2 is a perspective view thereof, showing a bottom surface and side surfaces as viewed from diagonally above;

FIG. 3 is a front elevation view thereof;

FIG. 4 is a rear elevation view thereof;

FIG. 5 is a top plan view thereof;

FIG. 6 is a bottom plan view thereof; and,

FIG. 7 is a left side view thereof (a right side view thereof is symmetrical to FIG. 7).

The article is a photo interrupter having a light-emitting element and a light-receiving element facing each other; the light-receiving element detects an object blocking light from the light-emitting element, and thus determines a presence and position of the object.

1 Claim, 7 Drawing Sheets

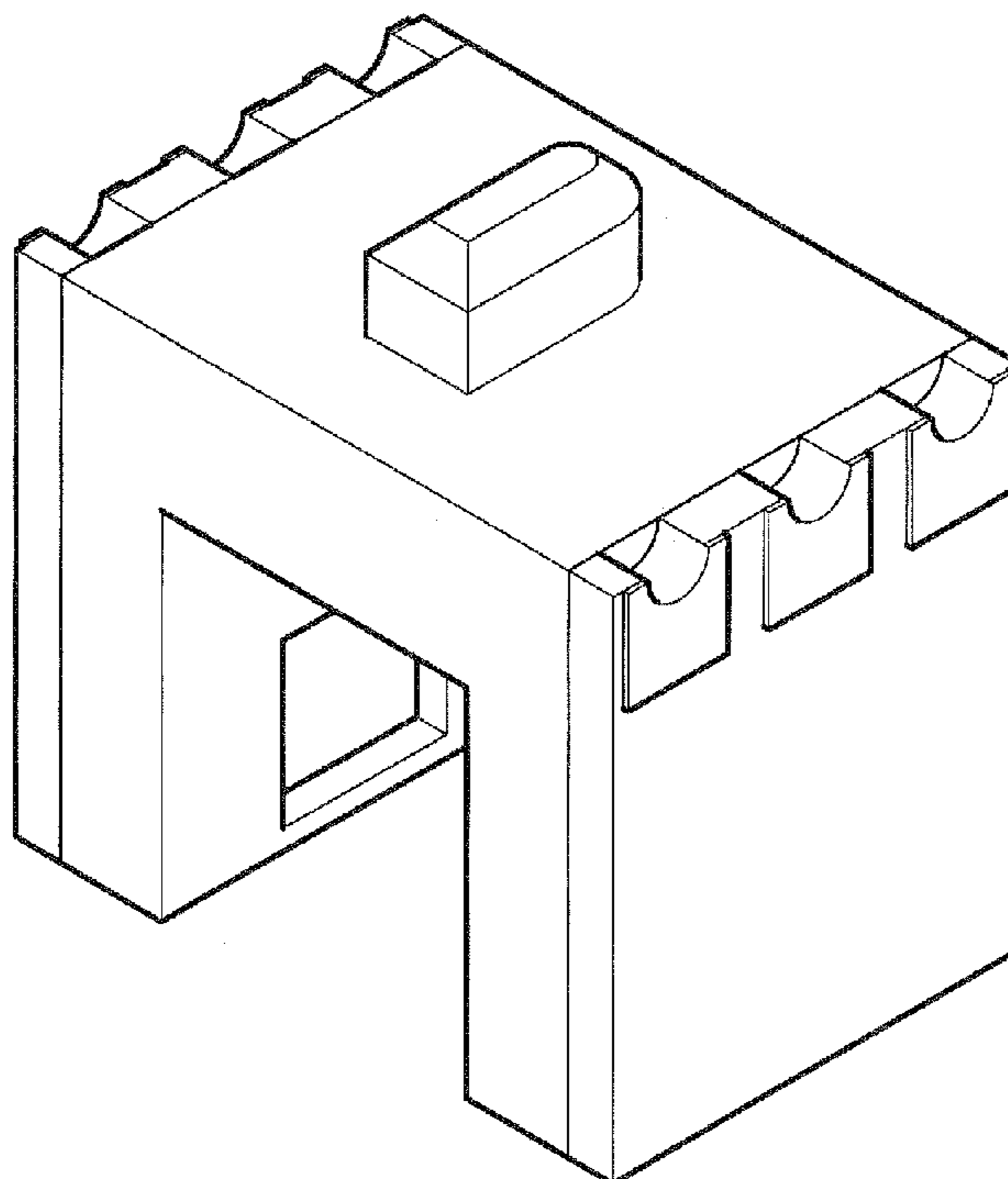


Fig. 1

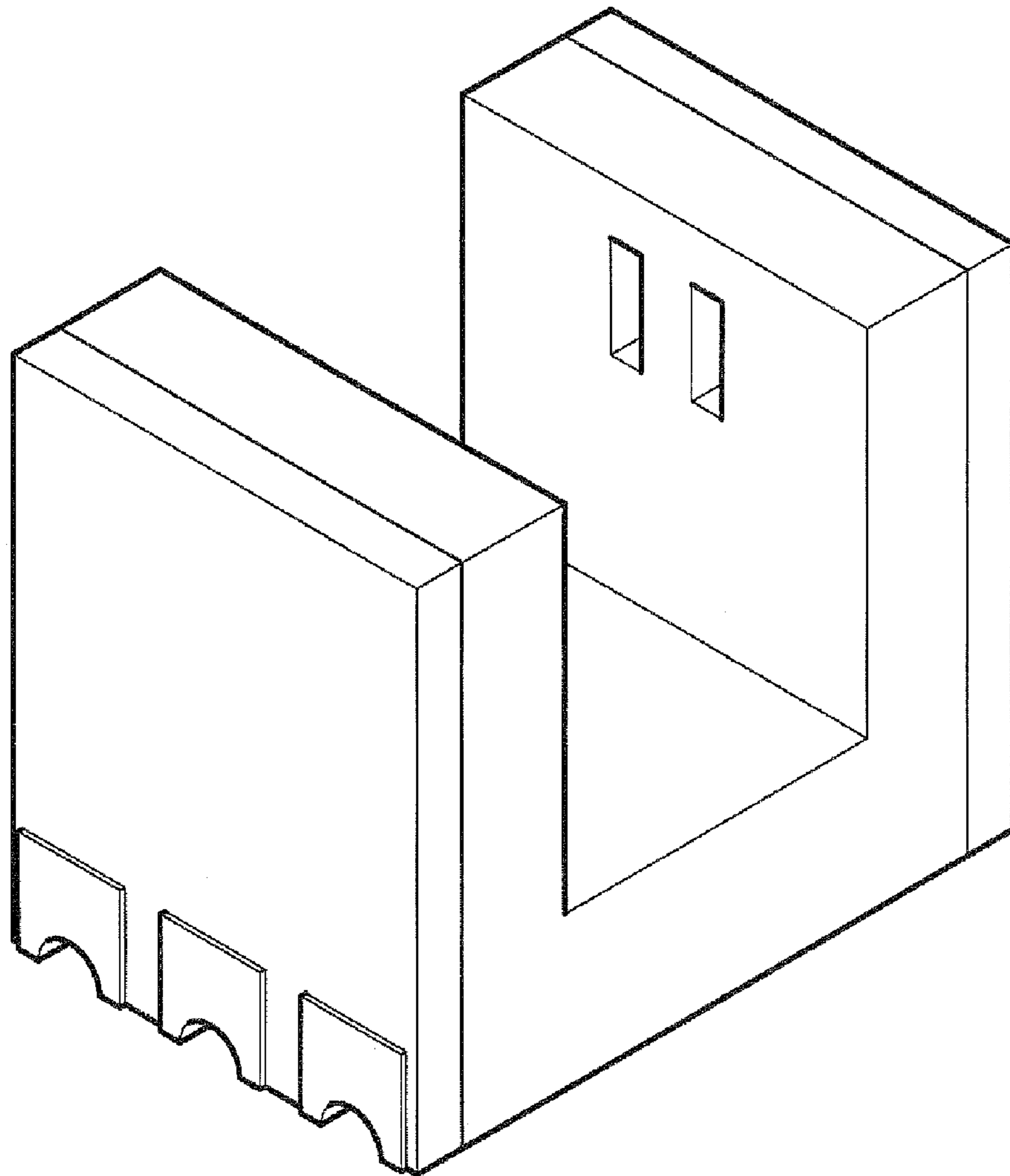


Fig. 2

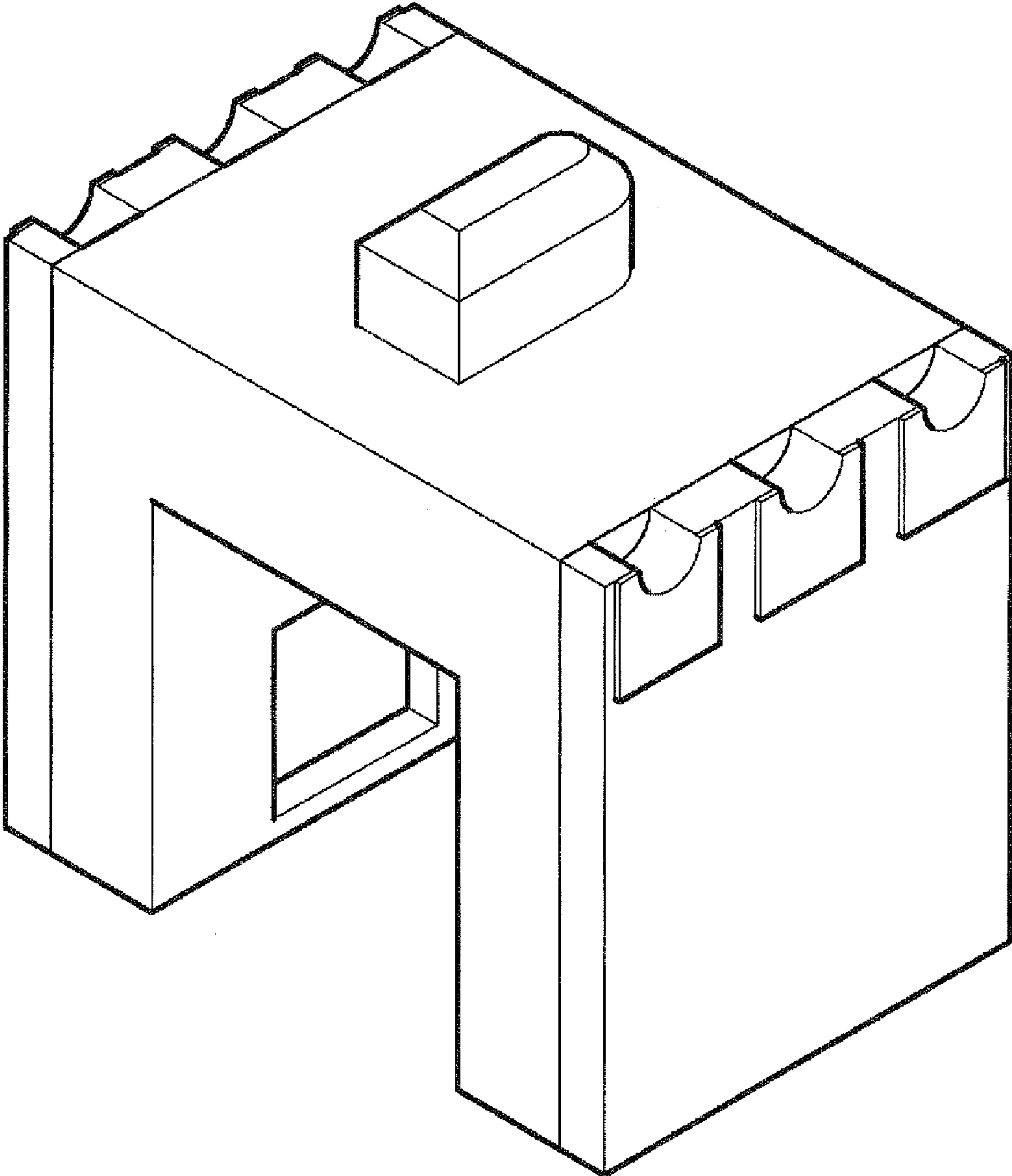


Fig. 3

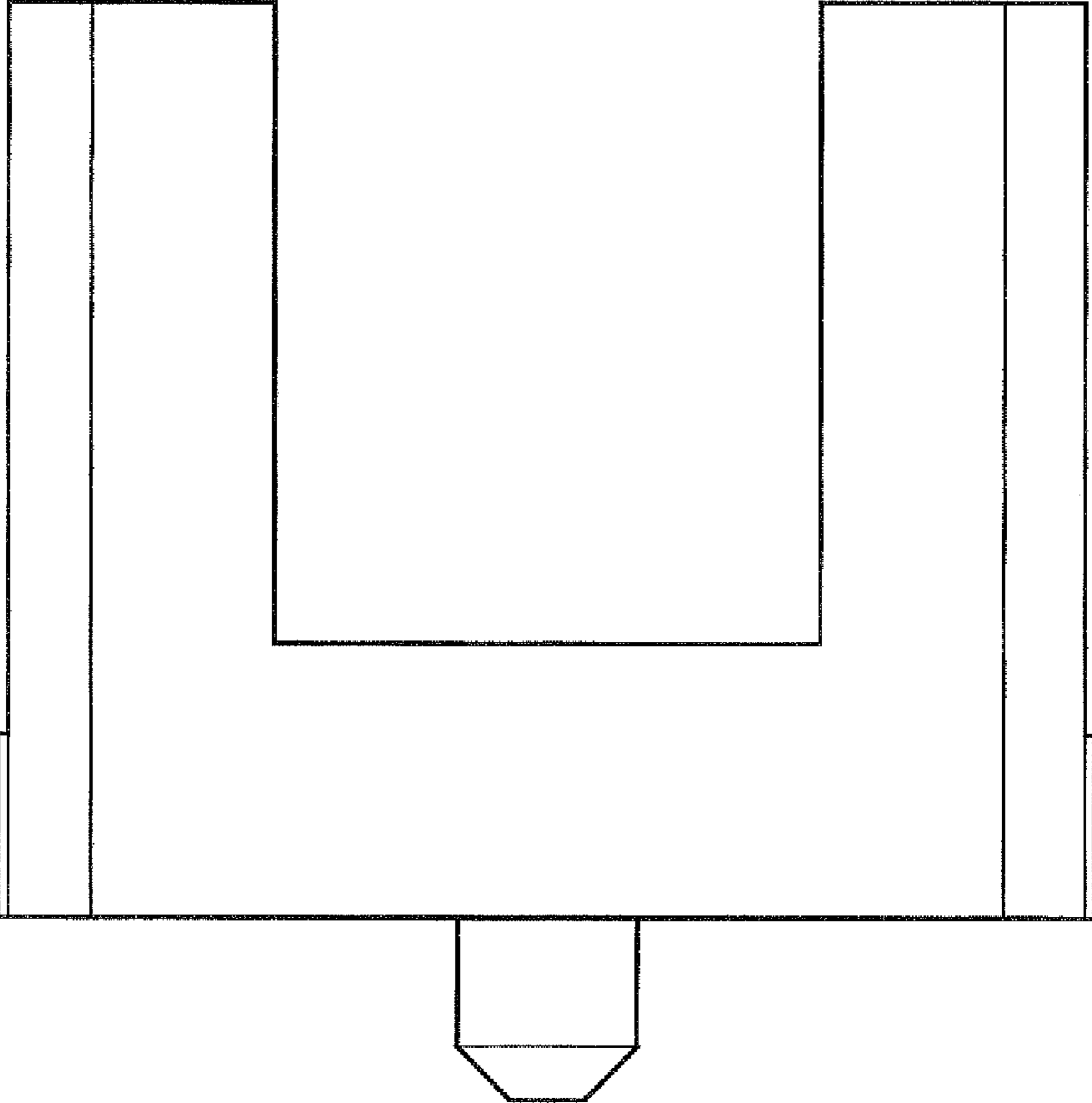


Fig. 4

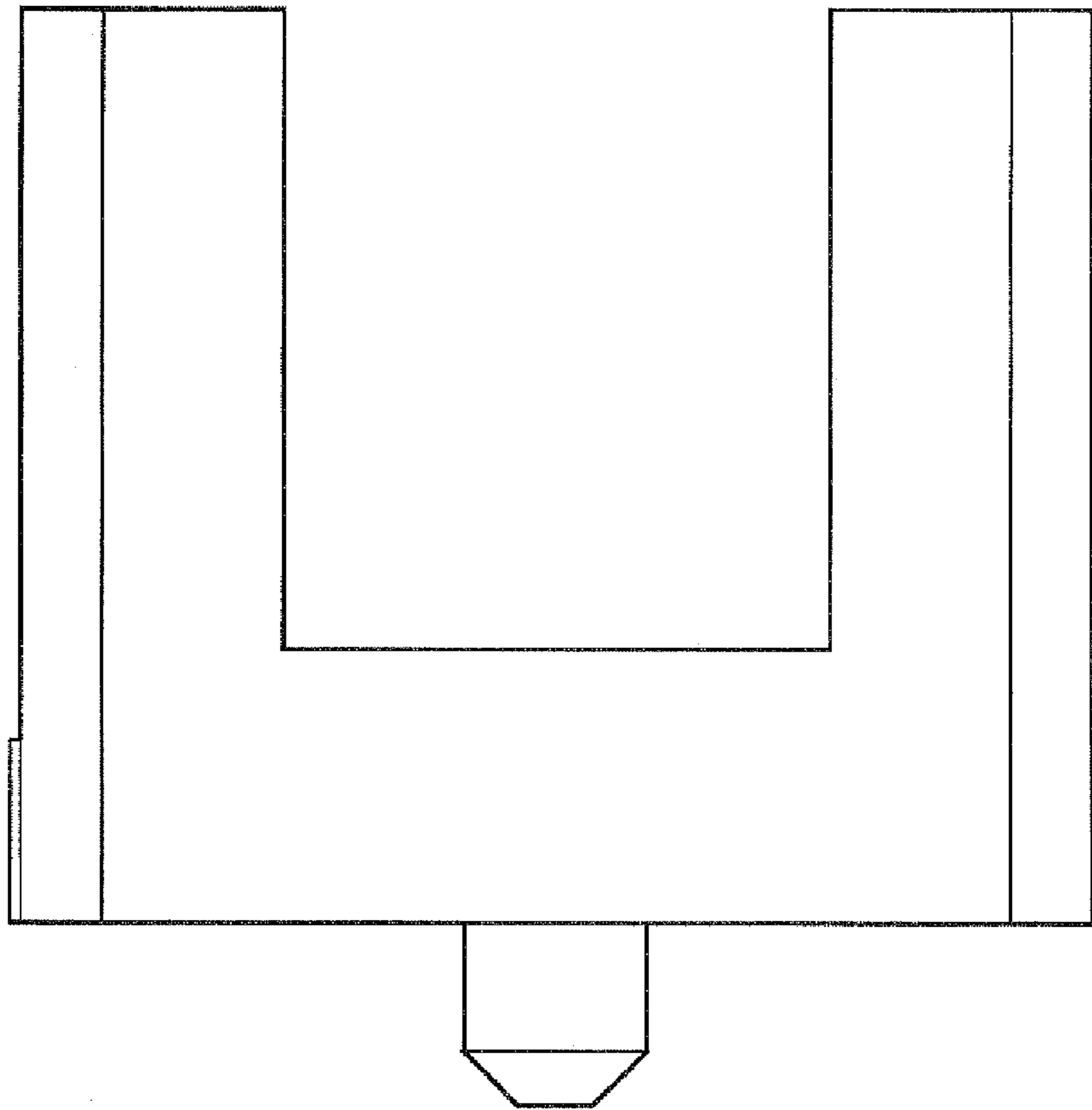


Fig. 5

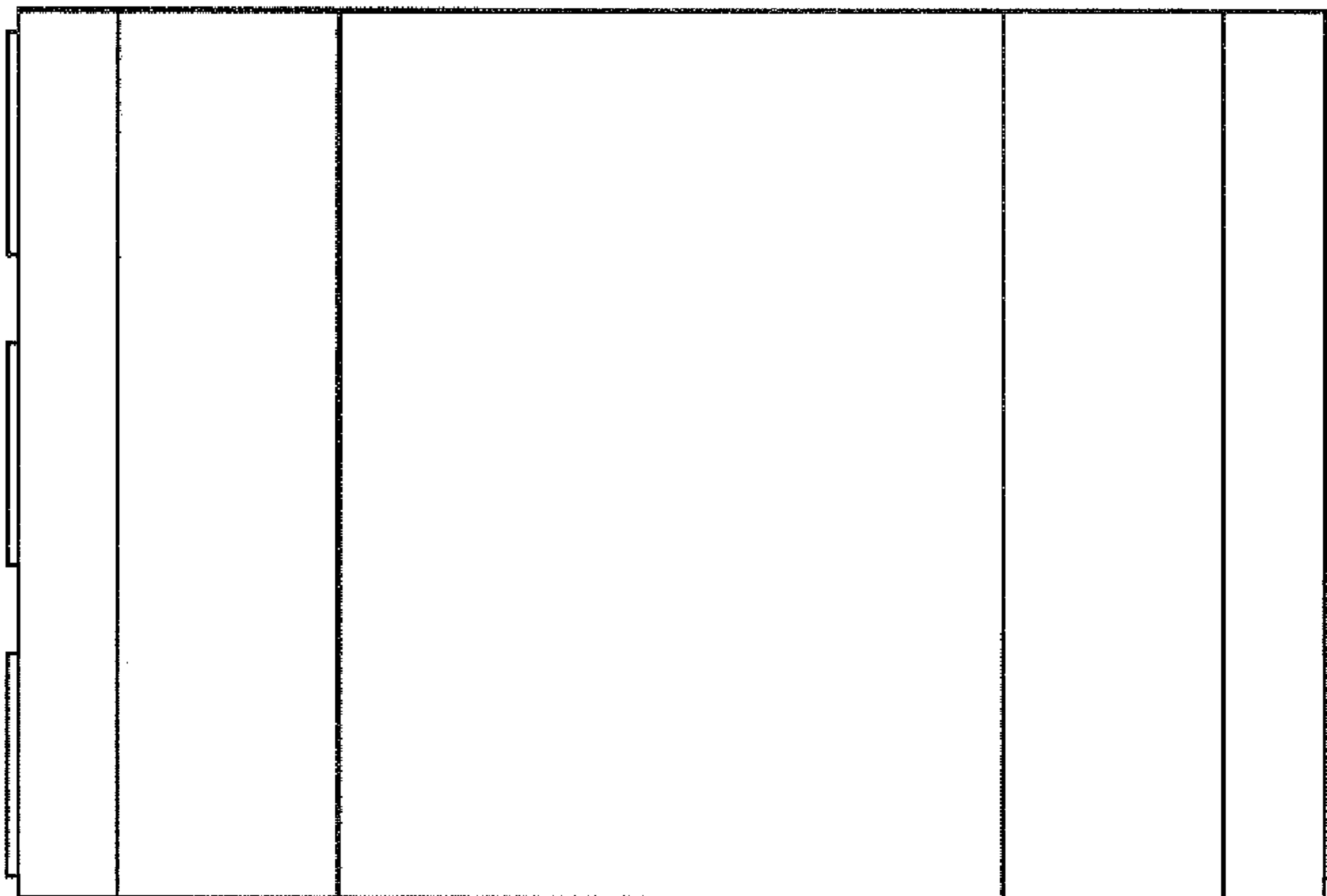


Fig. 6

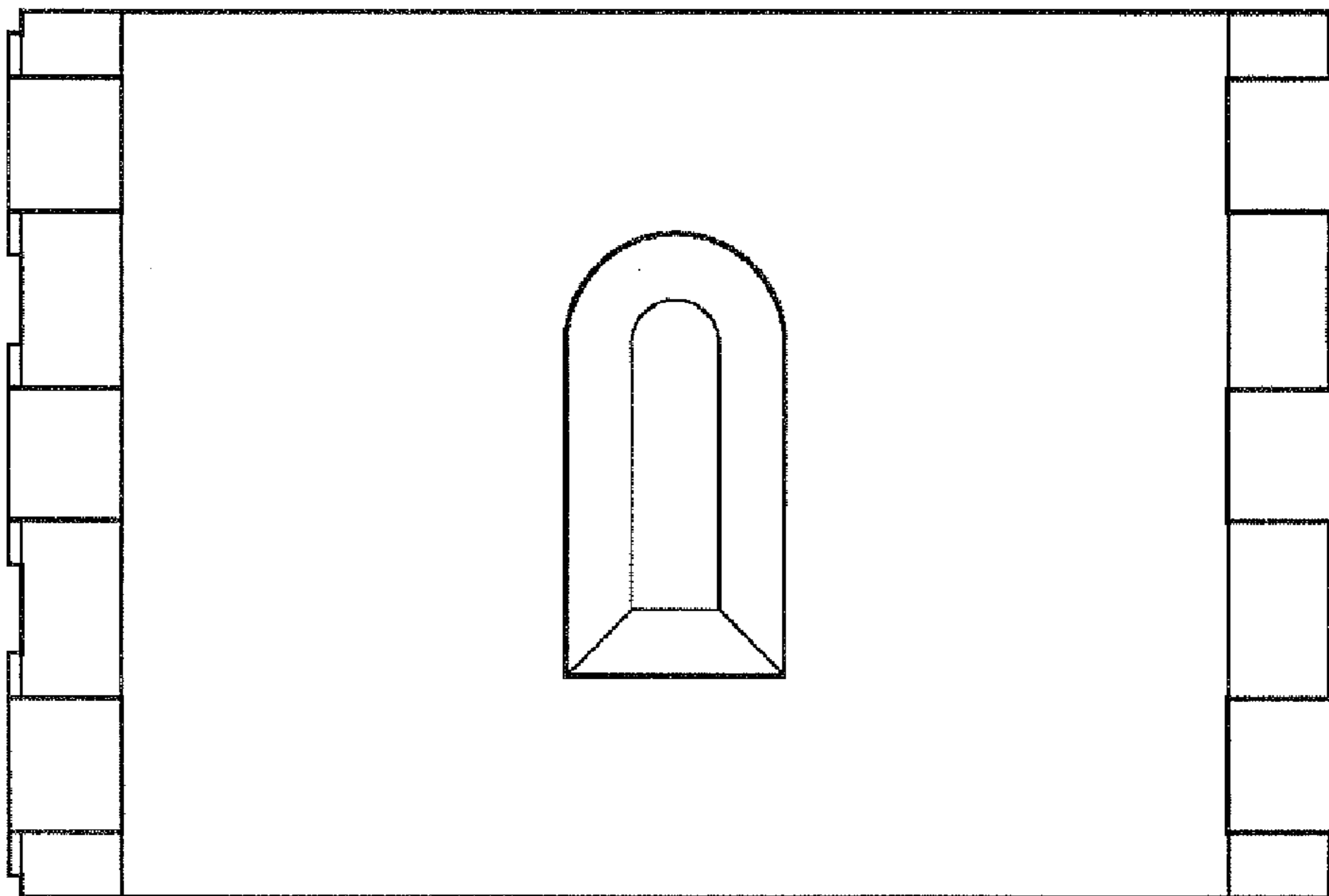


Fig. 7

