



US00D614585S

(12) **United States Design Patent**
Kuroda et al.

(10) **Patent No.:** **US D614,585 S**
(45) **Date of Patent:** **** Apr. 27, 2010**

(54) **SWITCH FOR SCANNER**

(75) Inventors: **Hiroyuki Kuroda**, Kahoku (JP); **Satoshi Kuroda**, Kahoku (JP)

(73) Assignee: **PFU Limited**, Ishikawa (JP)

(**) Term: **14 Years**

(21) Appl. No.: **29/311,393**

(22) Filed: **Mar. 5, 2009**

(30) **Foreign Application Priority Data**

Sep. 10, 2008 (JP) 2008-023248

(51) **LOC (9) Cl.** **13-03**

(52) **U.S. Cl.** **D13/162**

(58) **Field of Classification Search** D13/162,
D13/162.1, 163, 164, 171, 173, 177, 184,
D13/199; D10/40, 46, 50, 49, 104, 106;
D14/144, 300, 400, 441; D15/83, 138; D18/41;
315/149; 700/180; D20/18

See application file for complete search history.

(56) **References Cited**

U.S. PATENT DOCUMENTS

D287,717 S * 1/1987 Farwell et al. D13/164
D296,330 S * 6/1988 Davis et al. D14/385

D368,255 S * 3/1996 Sasaki et al. D14/420
D429,829 S * 8/2000 Doran D26/26
D535,895 S * 1/2007 Simon et al. D10/40
D550,167 S * 9/2007 Popa D13/164

* cited by examiner

Primary Examiner—Daniel D Bui

Assistant Examiner—Thomas J Johannes

(74) *Attorney, Agent, or Firm*—Staas & Halsey LLP

(57) **CLAIM**

The ornamental design for a switch for a scanner, as shown and described.

DESCRIPTION

FIG. 1 is a front perspective view of a switch for a scanner showing our new design in a usage configuration wherein the transparent lid is in a forward position;

FIG. 2 is a front view thereof;

FIG. 3 is a rear view thereof;

FIG. 4 is a right side view thereof;

FIG. 5 is a top plan view thereof;

FIG. 6 is a bottom plan view thereof; and,

FIG. 7 is a front perspective view thereof in a usage configuration wherein the transparent lid is in a rear position.

1 Claim, 3 Drawing Sheets

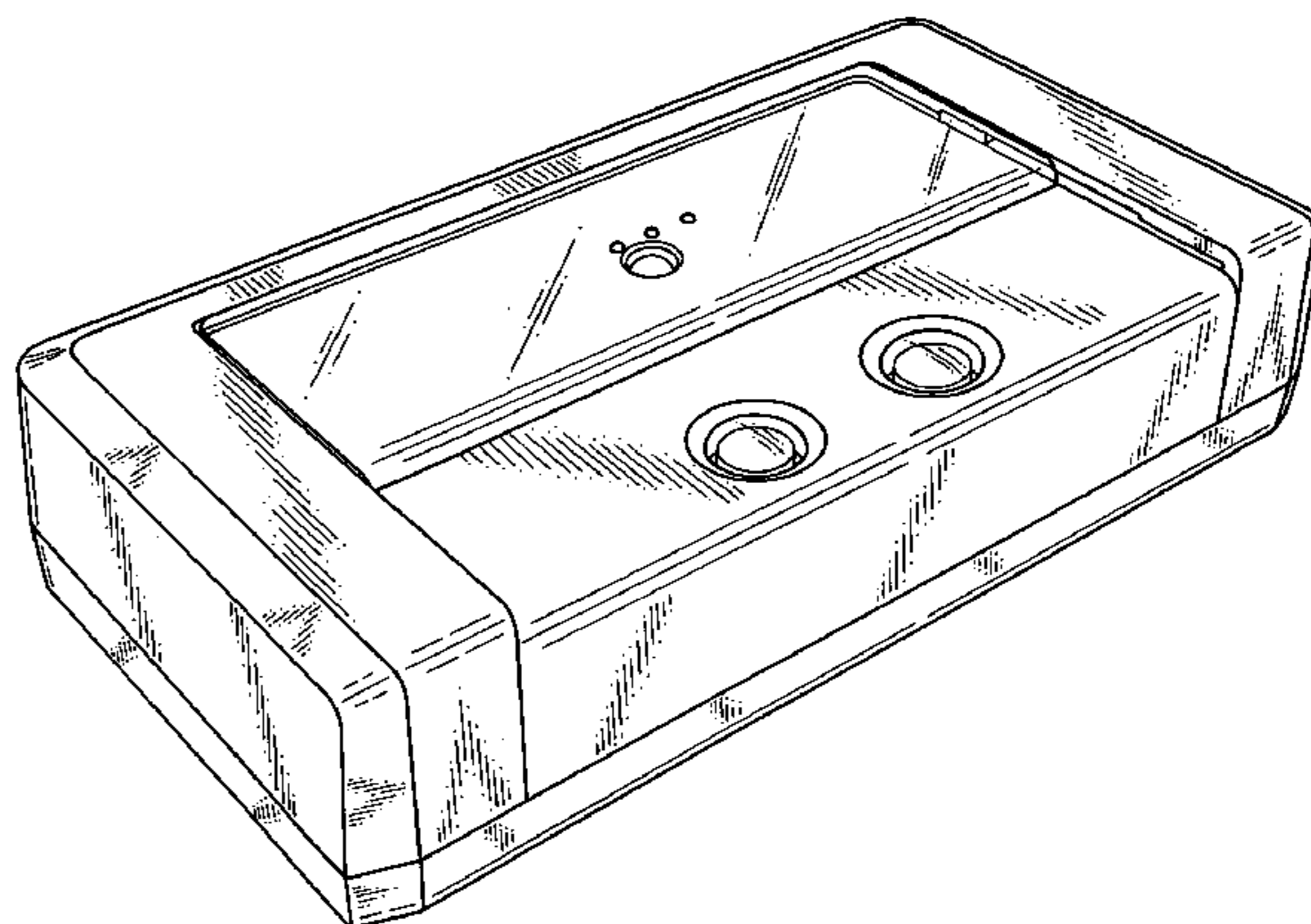
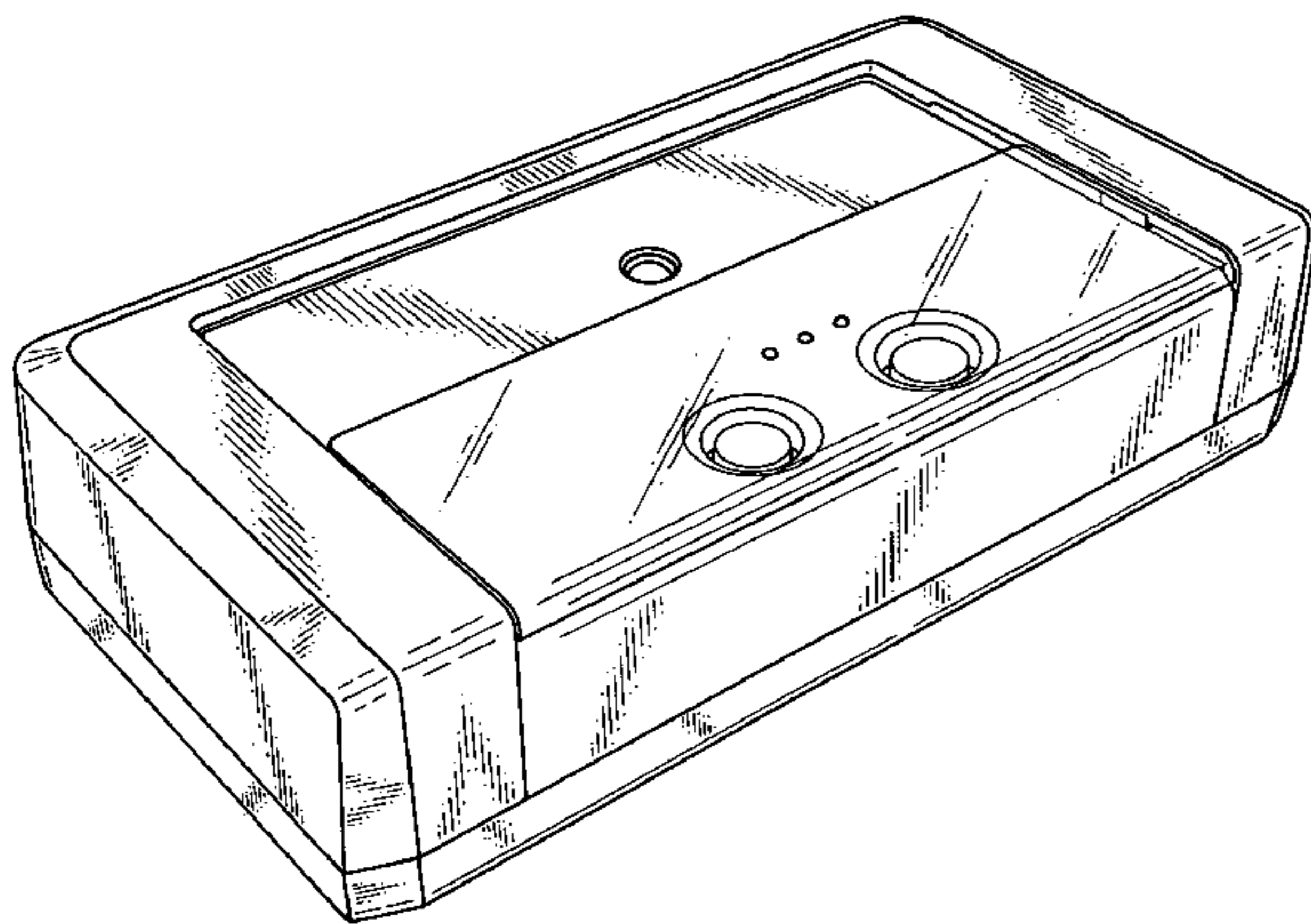


Fig.1

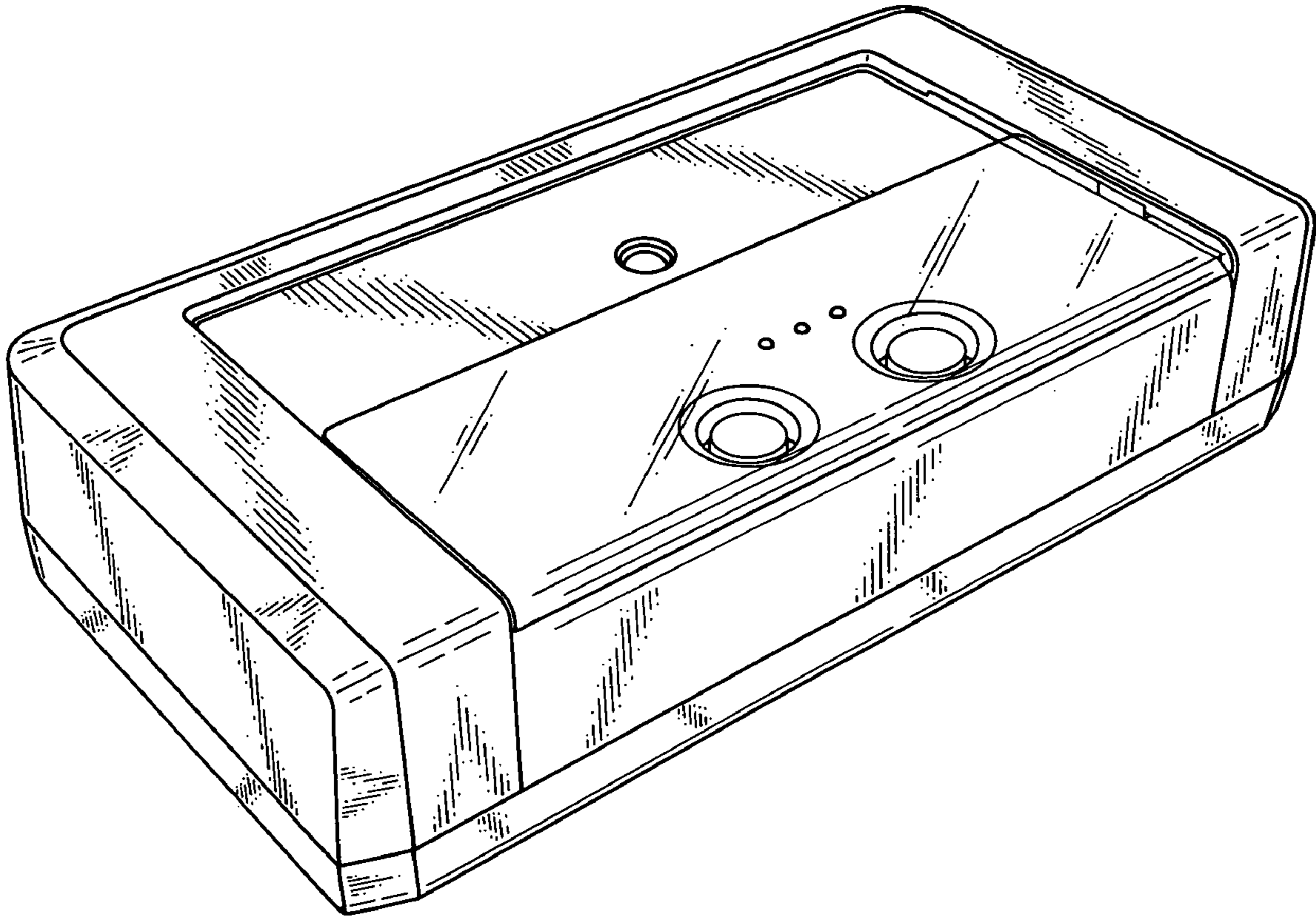


Fig. 2

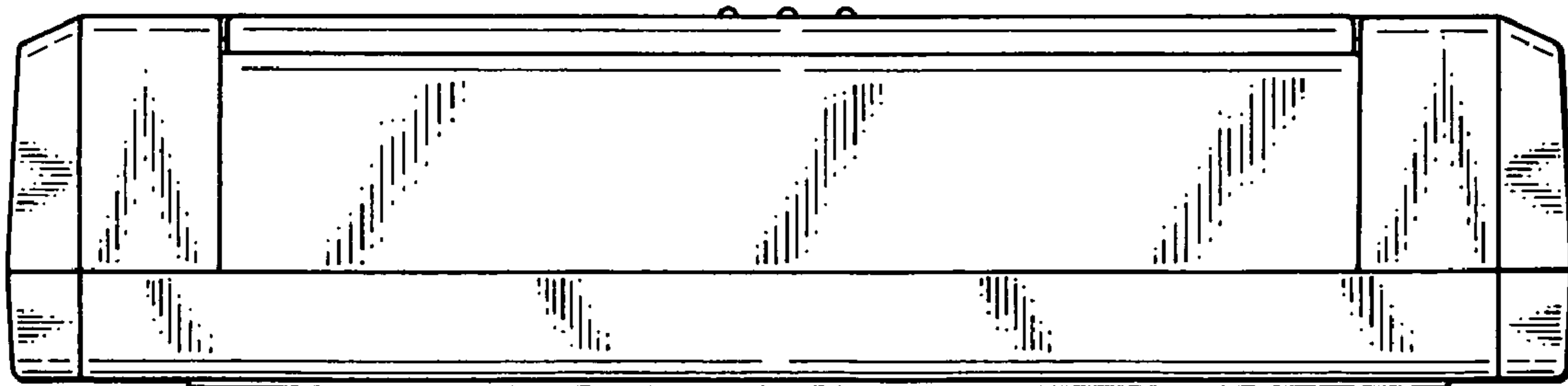


Fig. 3

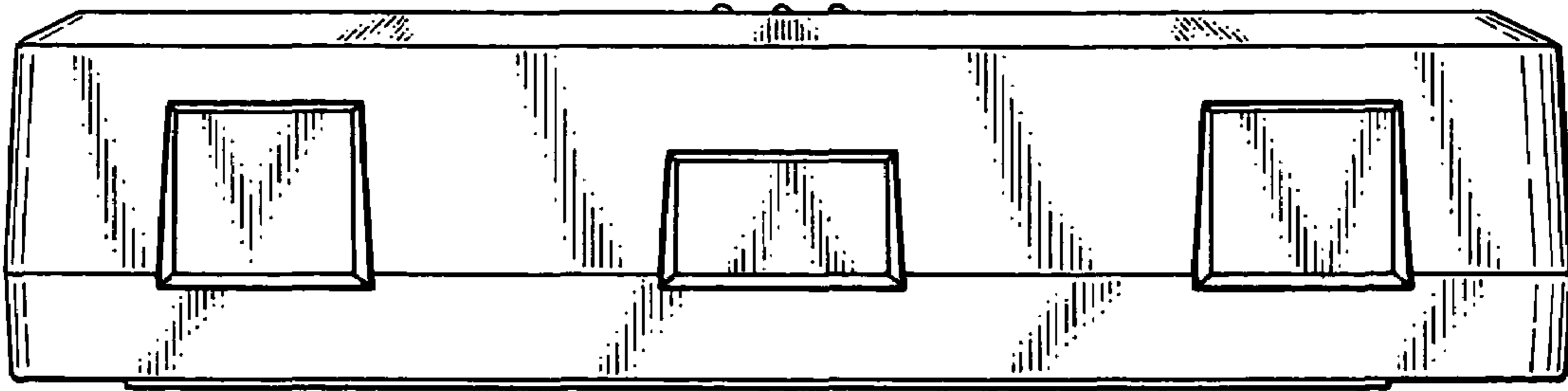


Fig. 4

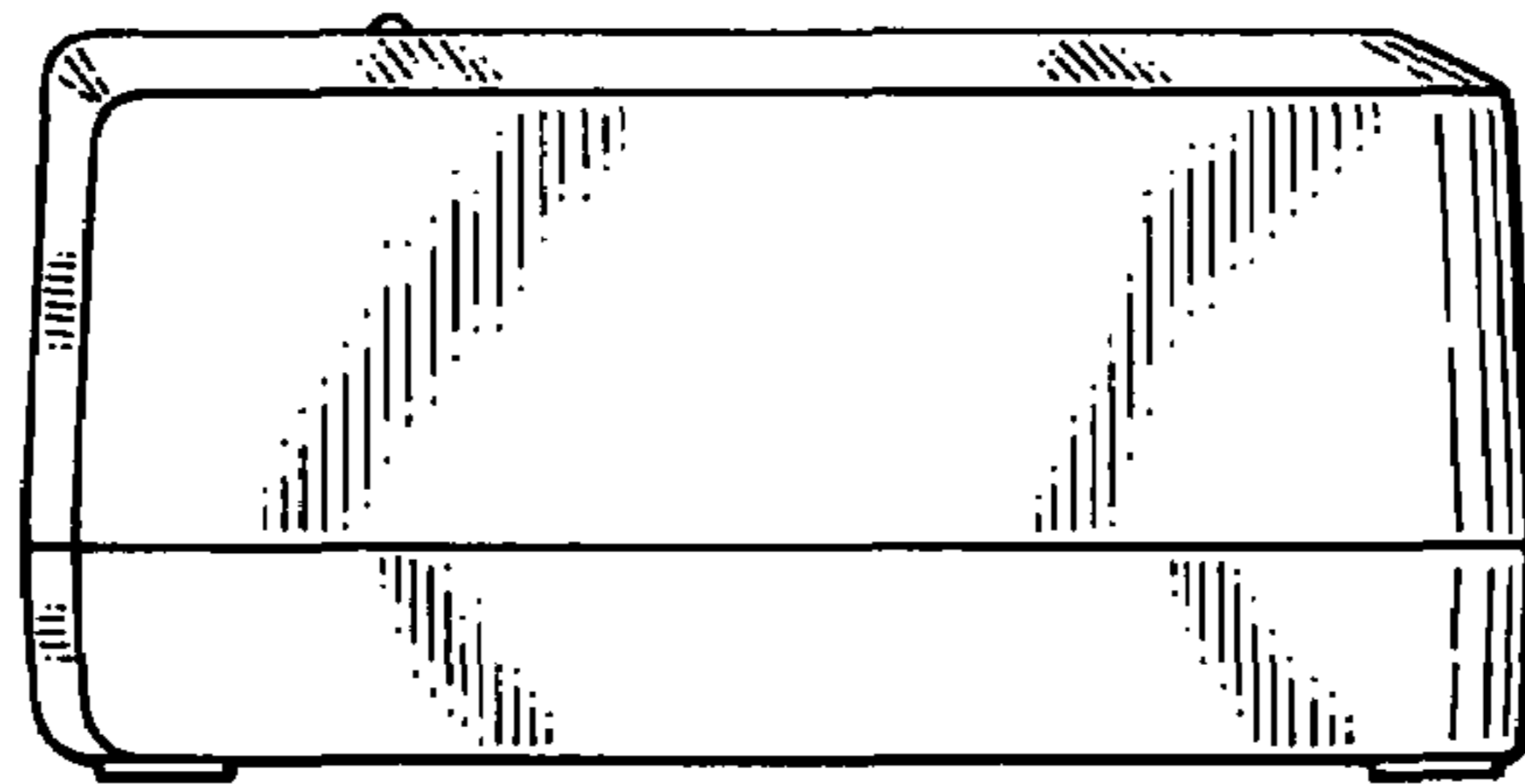


Fig. 5

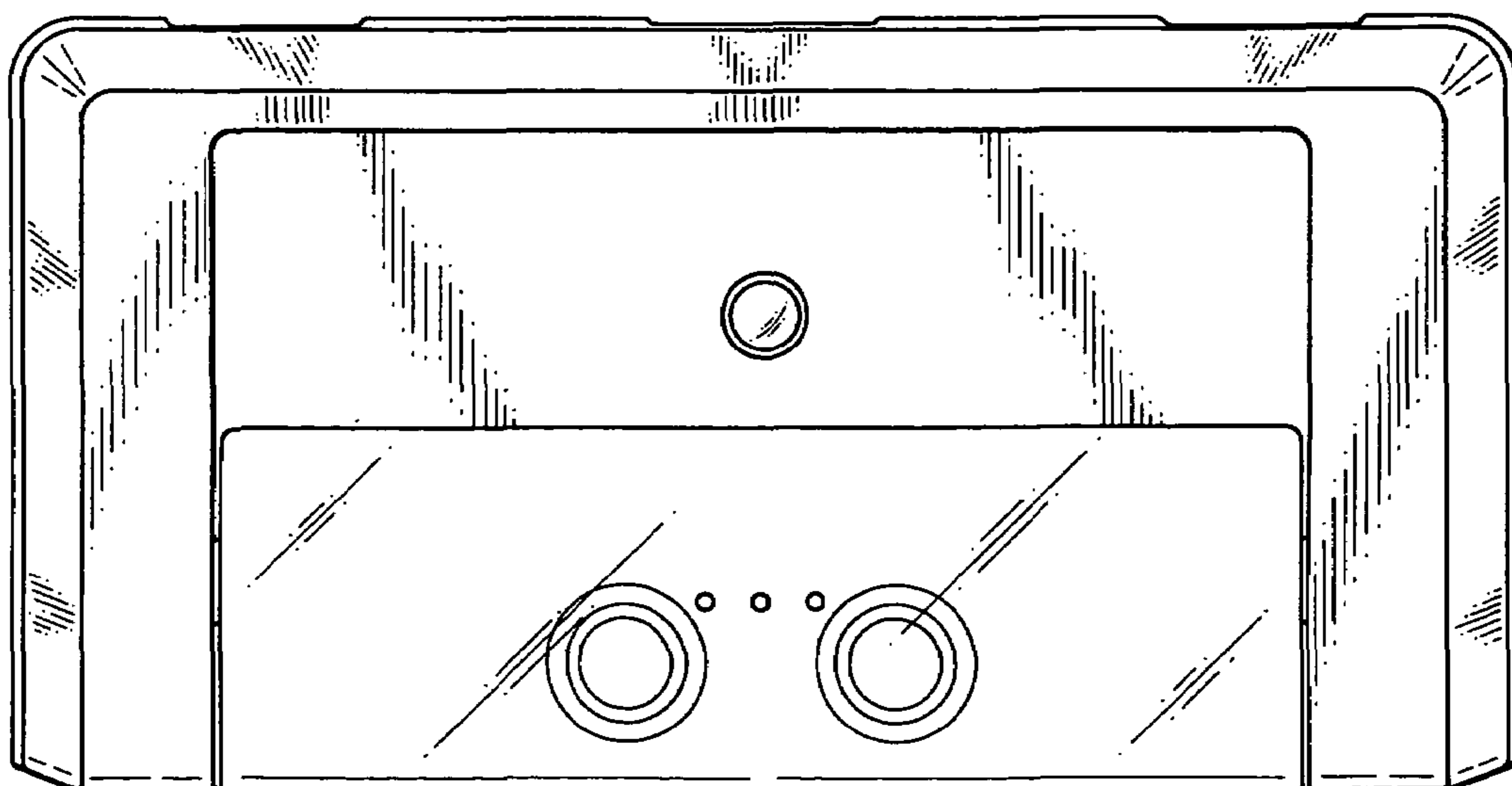


Fig. 6

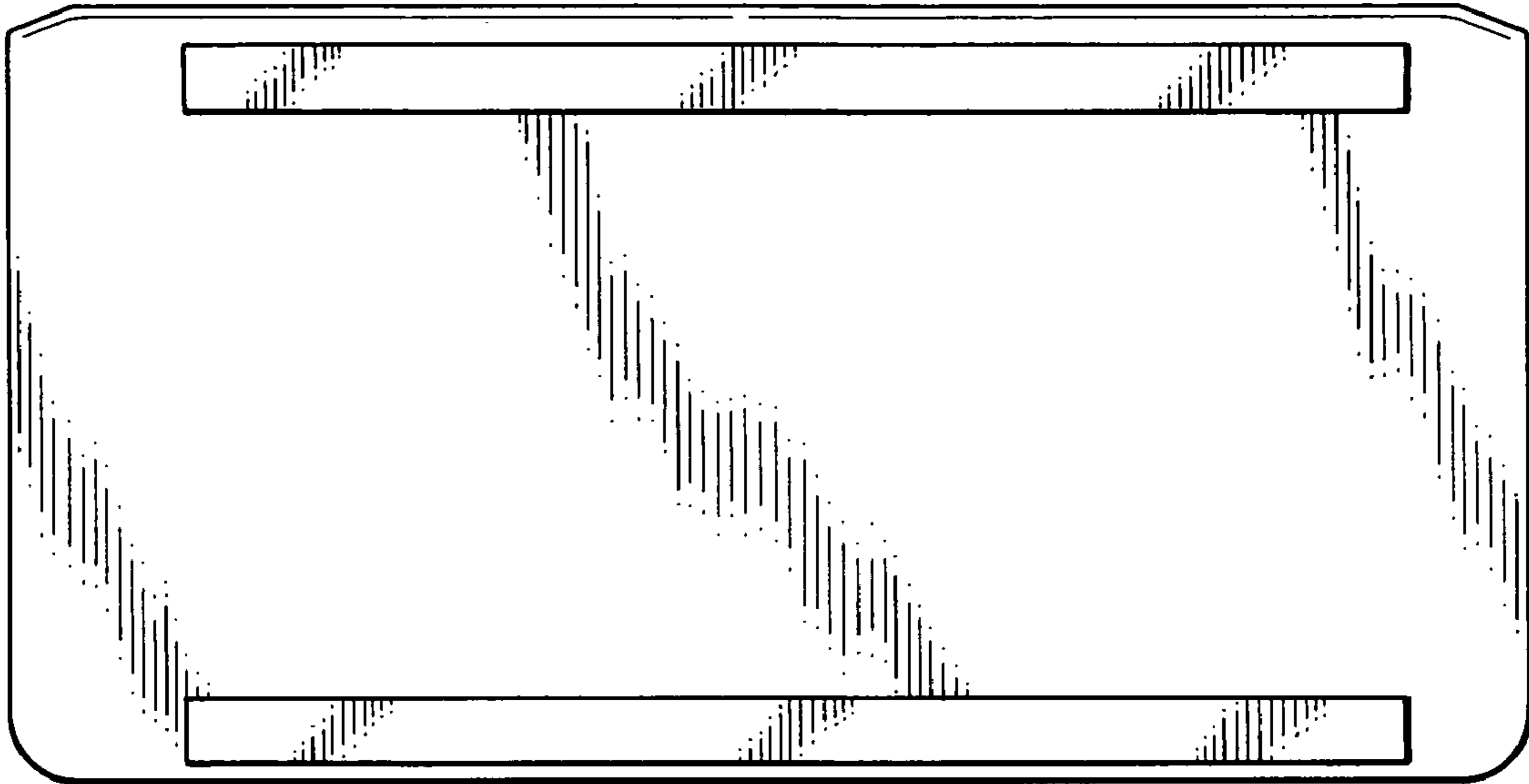


Fig. 7

