



US00D614582S

(12) **United States Design Patent**
Ye et al.

(10) **Patent No.:** **US D614,582 S**
(45) **Date of Patent:** **** Apr. 27, 2010**

(54) **CONNECTOR CONTACT**

(75) Inventors: **Chao-Yong Ye**, Tu-Cheng (TW);
Kai-Hsiang Chang, Tu-Cheng (TW);
Kuo-Chin Lin, Tu-Cheng (TW)

(73) Assignee: **Cheng Uei Precision Industry Co., Ltd.**, Tu-Cheng, Taipei Hsien (TW)

(**) Term: **14 Years**

(21) Appl. No.: **29/344,783**

(22) Filed: **Oct. 5, 2009**

(51) **LOC (9) Cl.** **13-03**

(52) **U.S. Cl.** **D13/154**

(58) **Field of Classification Search** D13/118-120,
D13/133, 146, 147, 154, 184, 199; 439/607-610,
439/845, 849, 870, 877, 884, 885
See application file for complete search history.

(56) **References Cited**

U.S. PATENT DOCUMENTS

6,280,230	B1 *	8/2001	Takase et al.	439/397
D491,535	S *	6/2004	Chien	D13/154
D514,514	S *	2/2006	Franks, Jr.	D13/133
D516,521	S *	3/2006	Yao et al.	D13/154
D568,815	S *	5/2008	Chiang et al.	D13/133
D569,801	S *	5/2008	Chuang	D13/133

D582,348	S *	12/2008	Shiu	D13/154
D586,300	S *	2/2009	Wang	D13/154
D589,903	S *	4/2009	Duan et al.	D13/154
D601,971	S *	10/2009	Chen et al.	D13/154
D605,137	S *	12/2009	Yu et al.	D13/154
D605,601	S *	12/2009	Chen	D13/154
2007/0059966	A1 *	3/2007	Liao	439/342

* cited by examiner

Primary Examiner—Rosemary K Tarcza

(74) *Attorney, Agent, or Firm*—Cheng-Ju Chiang

(57) **CLAIM**

The ornamental design for connector contact, as shown and described.

DESCRIPTION

FIG. 1 is a perspective view of connector contact showing our new design;

FIG. 2 is a front elevational view thereof;

FIG. 3 is a rear elevational view thereof;

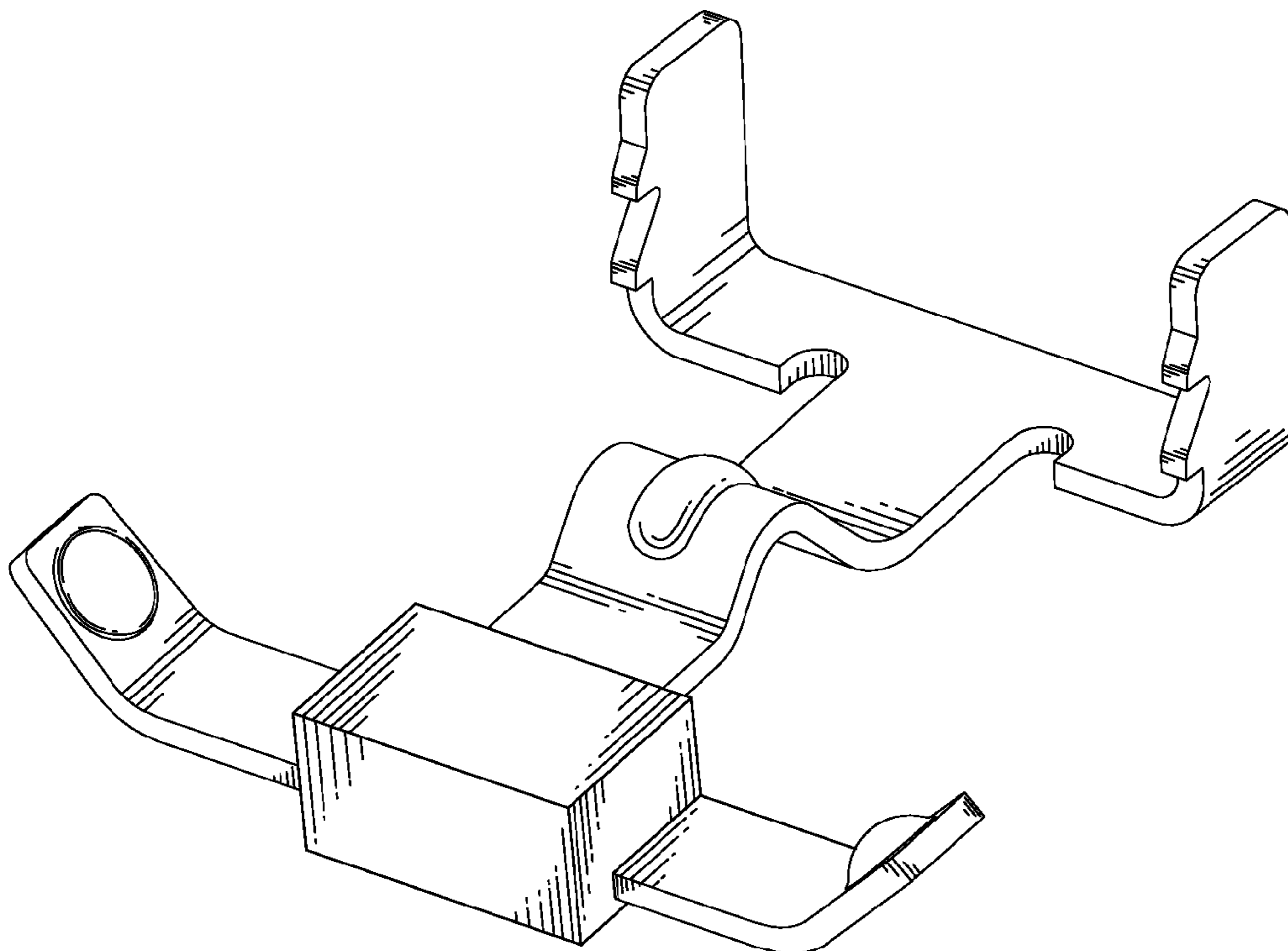
FIG. 4 is a left side elevational view thereof;

FIG. 5 is a right side elevational view thereof;

FIG. 6 is a top plan view thereof; and,

FIG. 7 is a bottom plan view thereof.

1 Claim, 7 Drawing Sheets



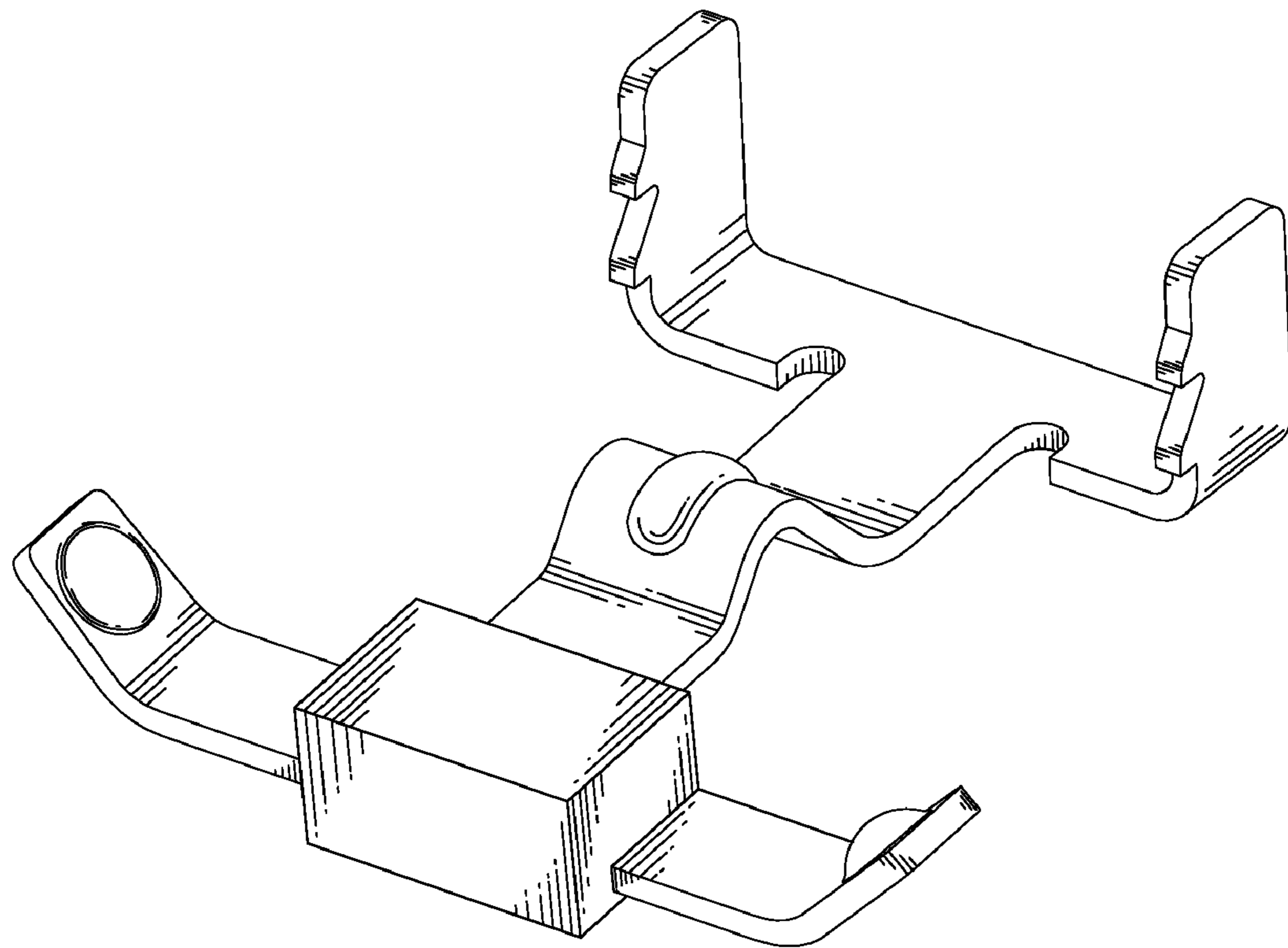


FIG. 1

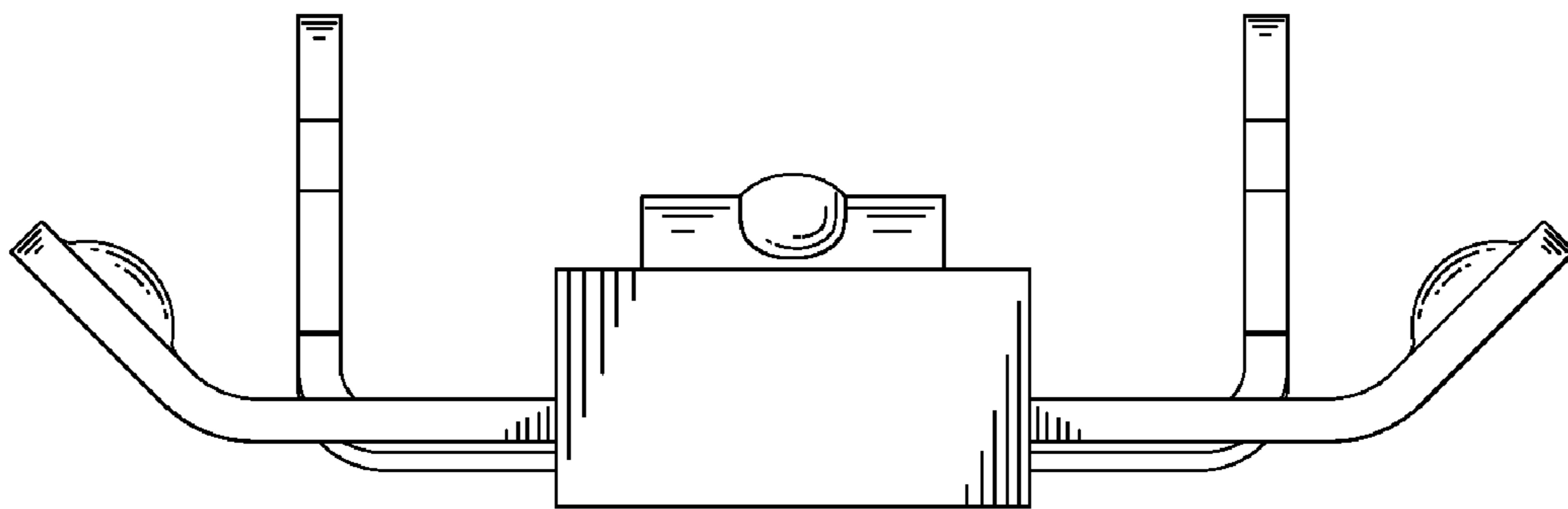


FIG. 2

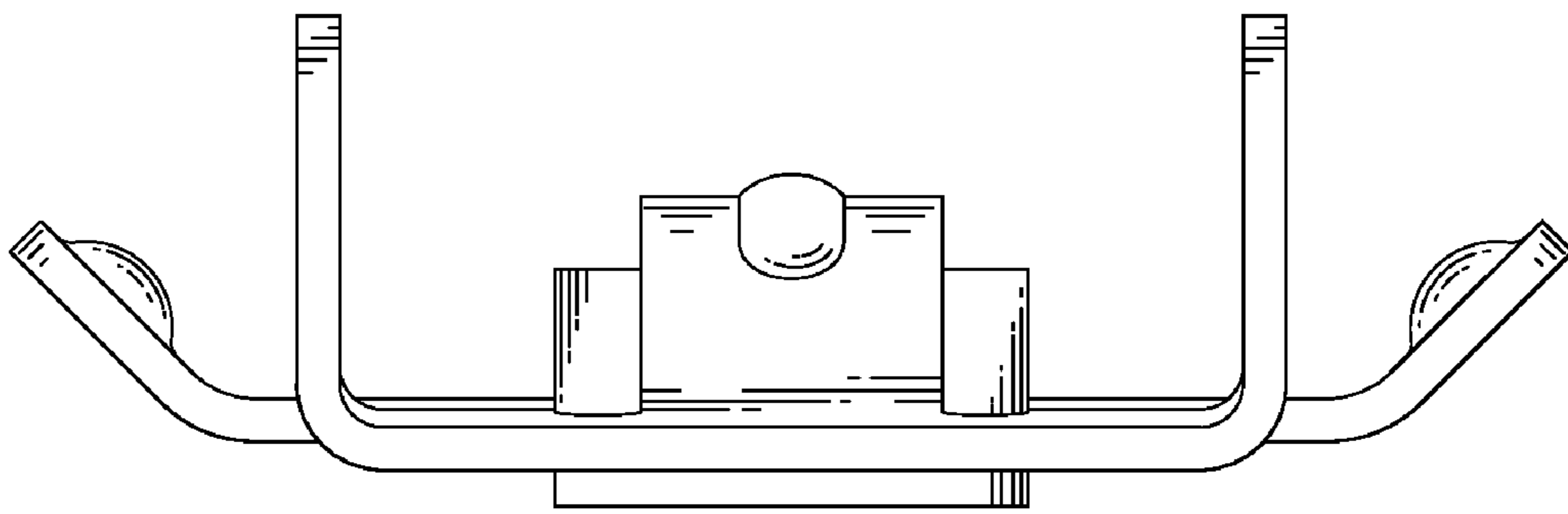


FIG. 3

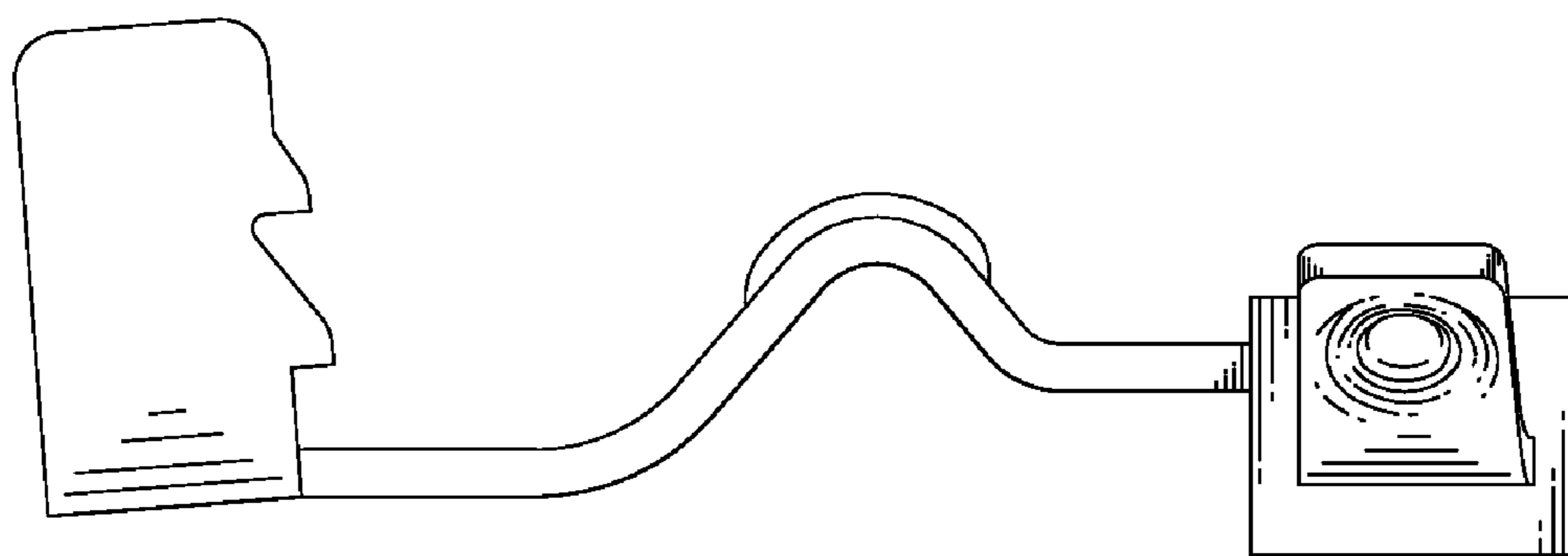


FIG. 4

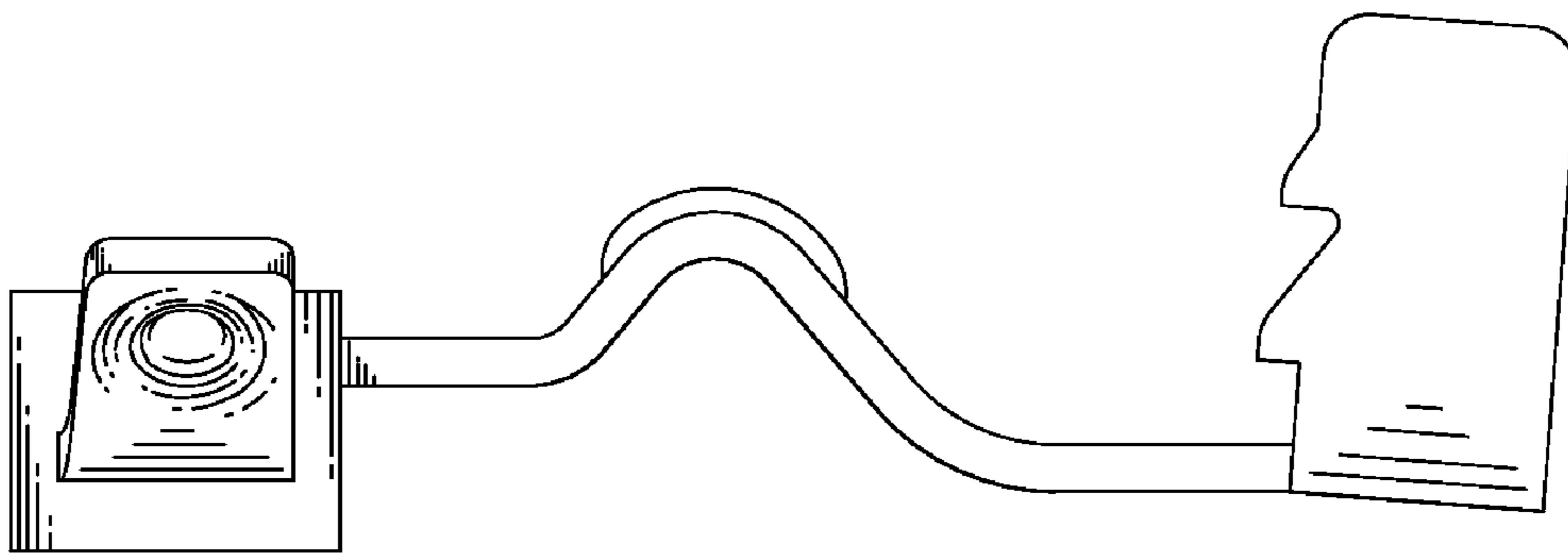


FIG. 5

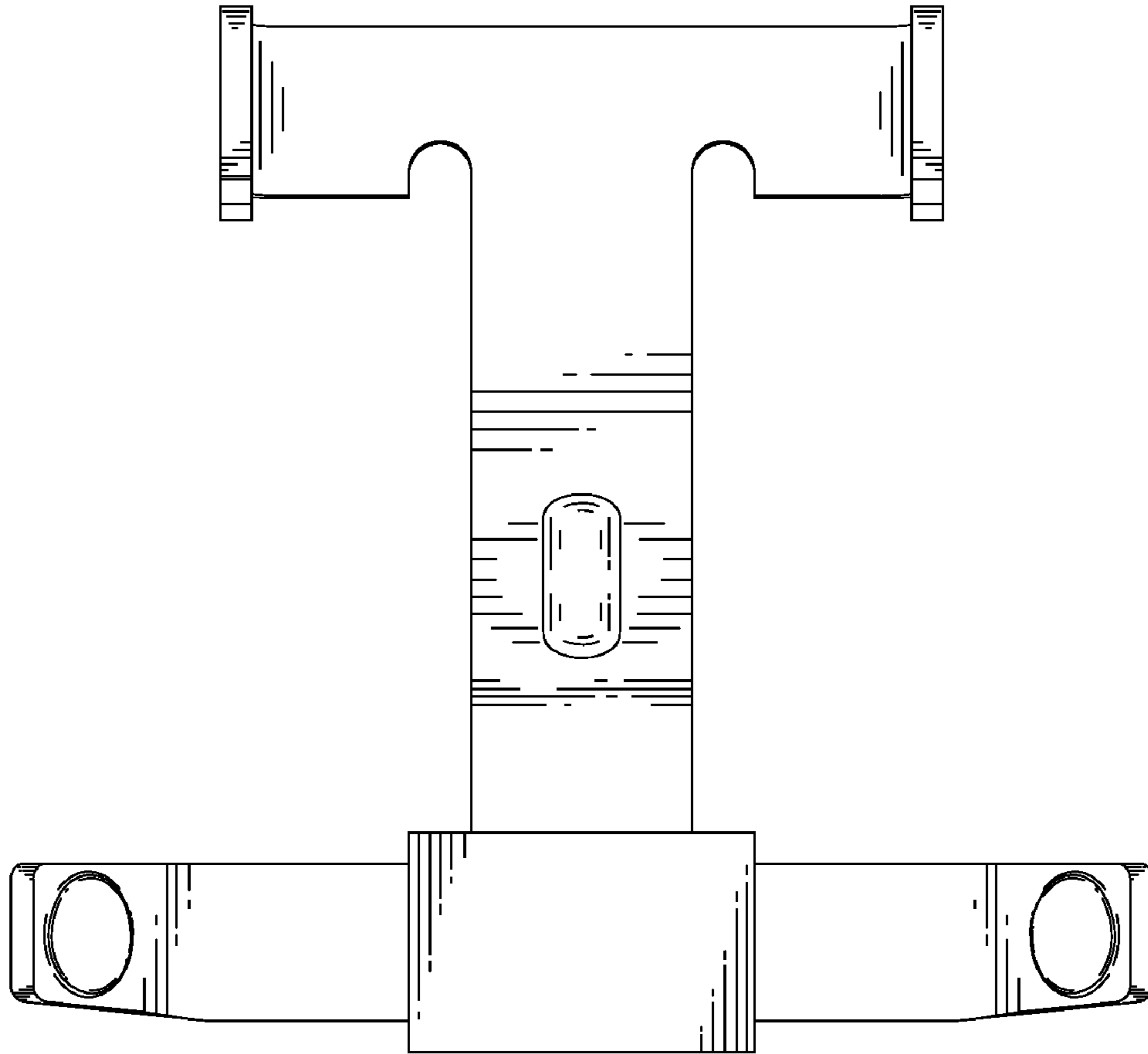


FIG. 6

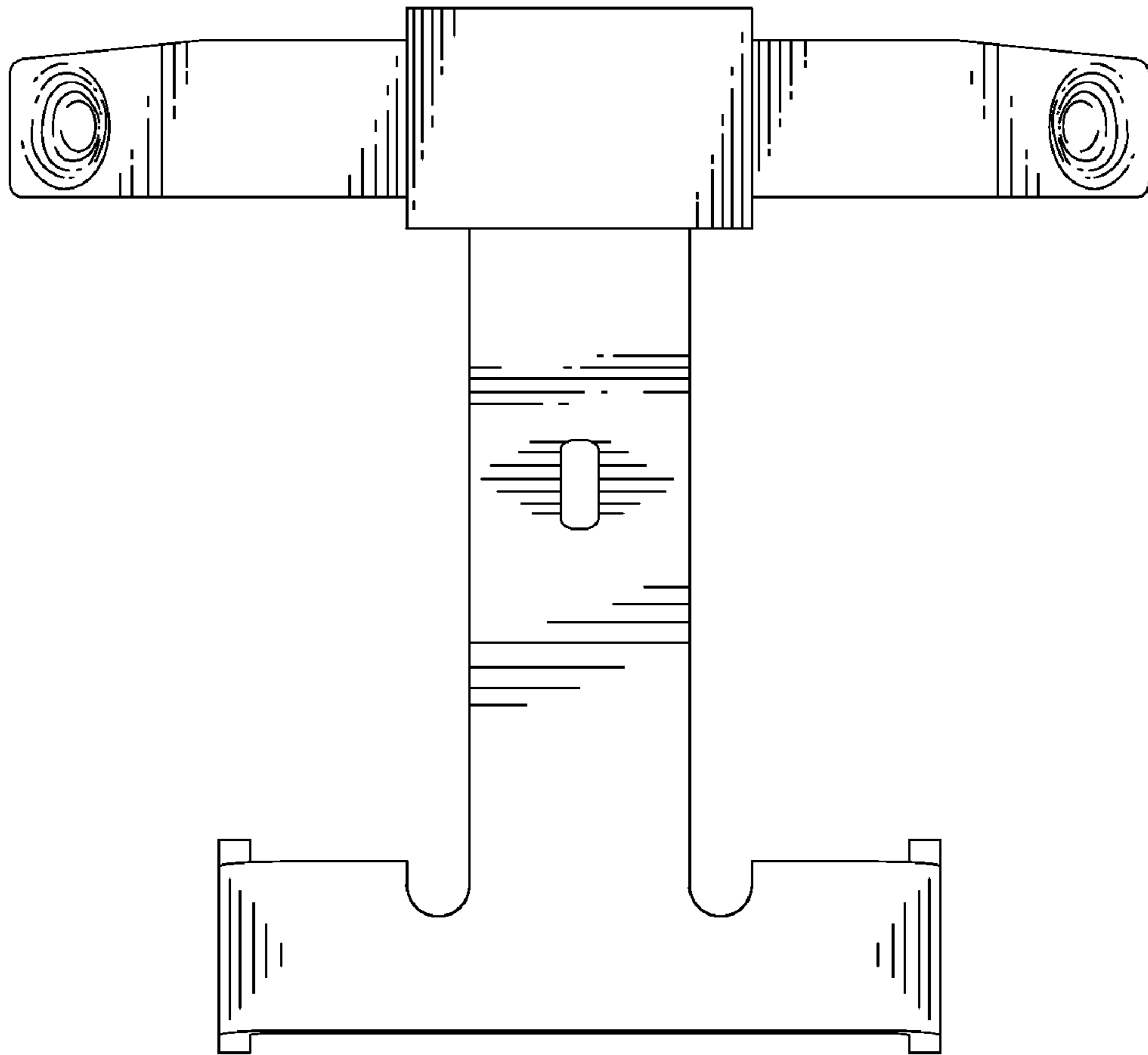


FIG. 7