



US00D614579S

(12) **United States Design Patent**
Wang et al.

(10) **Patent No.:** **US D614,579 S**

(45) **Date of Patent:** **** Apr. 27, 2010**

(54) **ELECTRICAL CONNECTOR**

D543,150 S * 5/2007 Wan et al. D13/147
D555,102 S * 11/2007 Xiao et al. D13/147

(75) Inventors: **Chen-Xi Wang**, Kunshan (CN);
Hong-Qiang Han, Kunshan (CN);
Zi-Qiang Zhu, Kunshan (CN)

* cited by examiner

Primary Examiner—Daniel D Bui

(73) Assignee: **Hon Hai Precision Ind. Co., Ltd.**,
Taipei Hsien (TW)

(74) *Attorney, Agent, or Firm*—Wei Te Chung; Andrew C.
Cheng; Ming Chieh Chang

(**) Term: **14 Years**

(57) **CLAIM**

(21) Appl. No.: **29/344,104**

The ornamental design for an electrical connector, as shown
and described.

(22) Filed: **Sep. 23, 2009**

DESCRIPTION

(30) **Foreign Application Priority Data**

FIG. 1 is a front, bottom and right side perspective view of an
electrical connector showing our new design;

Mar. 23, 2009 (CN) 2009 3 0301642

FIG. 2 is a front elevational view thereof;

(51) **LOC (9) Cl.** **13-03**

FIG. 3 is a rear elevational view thereof;

(52) **U.S. Cl.** **D13/147**

FIG. 4 is a left side elevational view thereof;

(58) **Field of Classification Search** D13/133,
D13/147, 154, 184; 439/79, 108, 378, 540.1,
439/541.5, 607–610, 660, 680, 891, 894
See application file for complete search history.

FIG. 5 is a right side elevational view thereof;

FIG. 6 is a top plan view thereof; and,

FIG. 7 is a bottom plan view thereof.

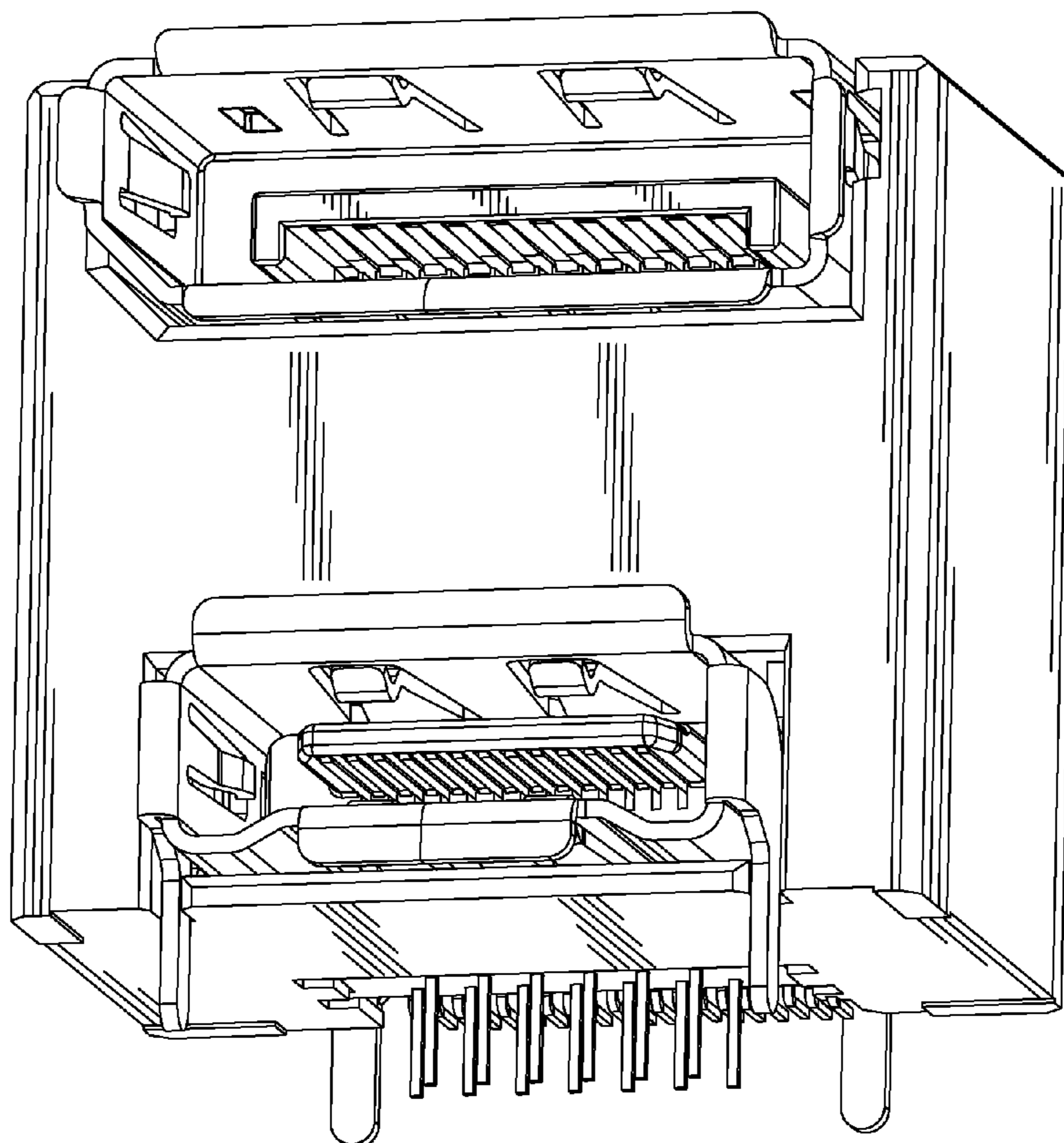
(56) **References Cited**

The broken line portion of the figure drawings is included to
show unclaimed subject matter and forms no part of the
claimed design.

U.S. PATENT DOCUMENTS

D378,510 S * 3/1997 Tan et al. D13/147

1 Claim, 7 Drawing Sheets



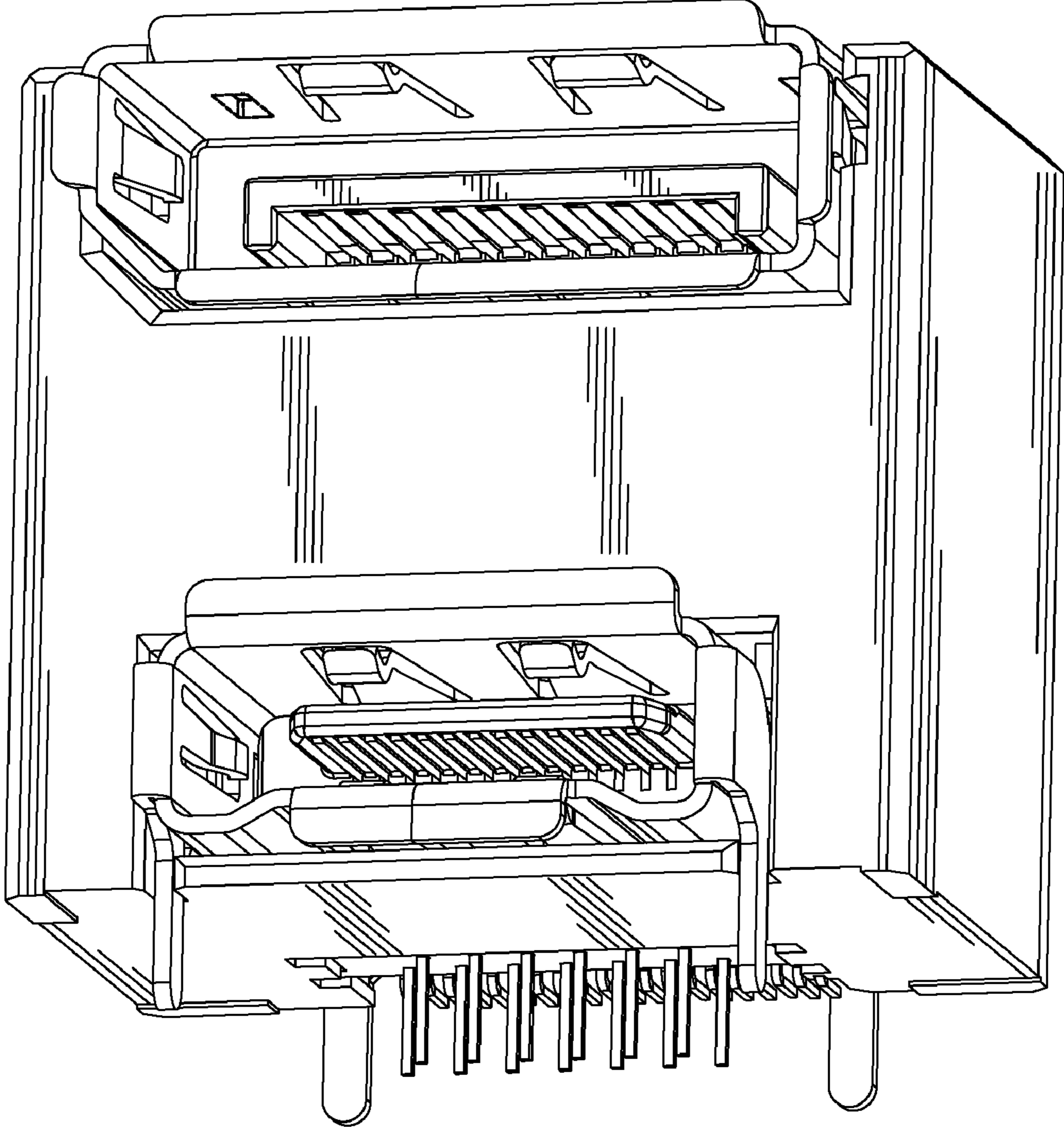


FIG. 1

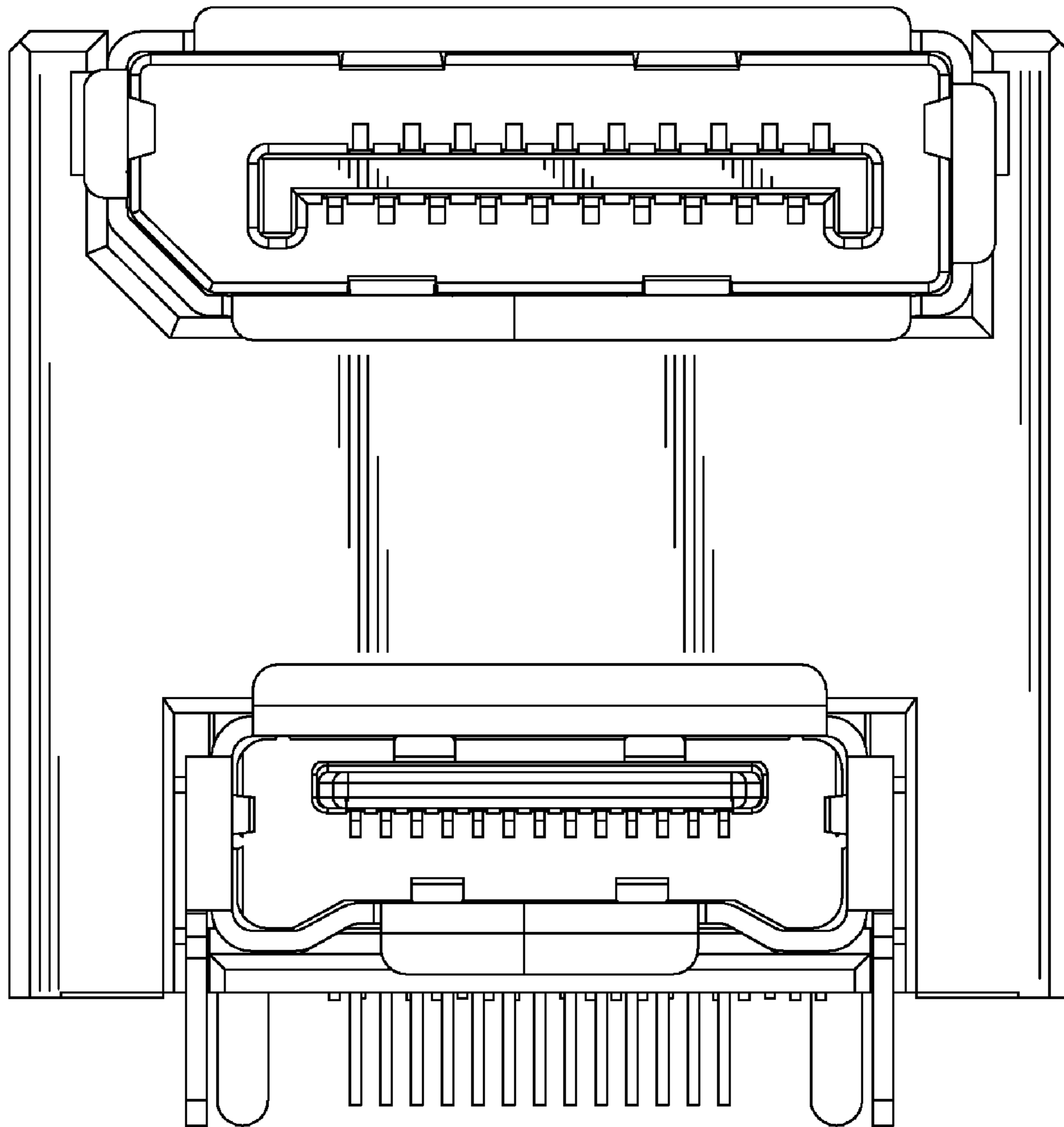


FIG. 2

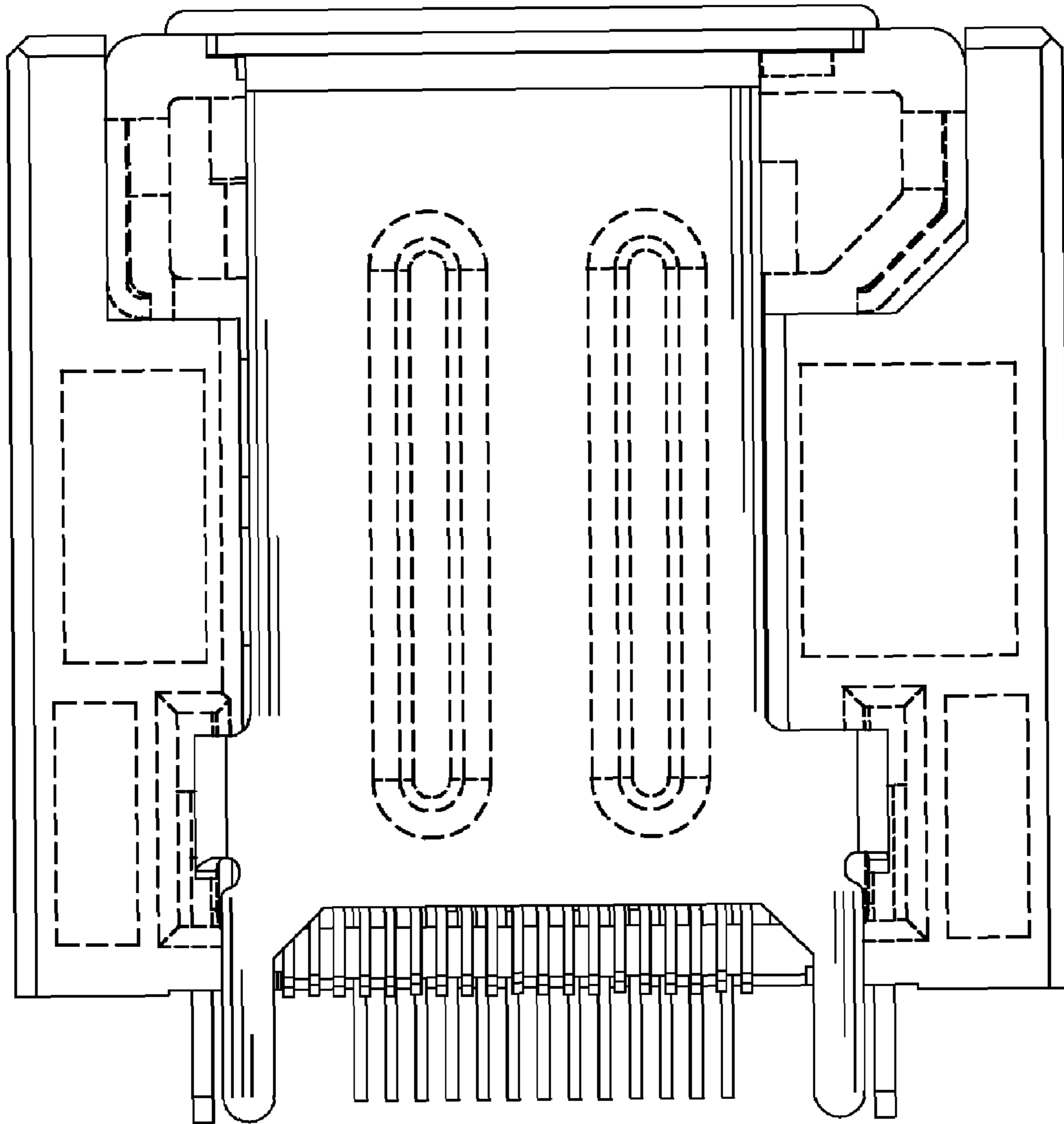


FIG. 3

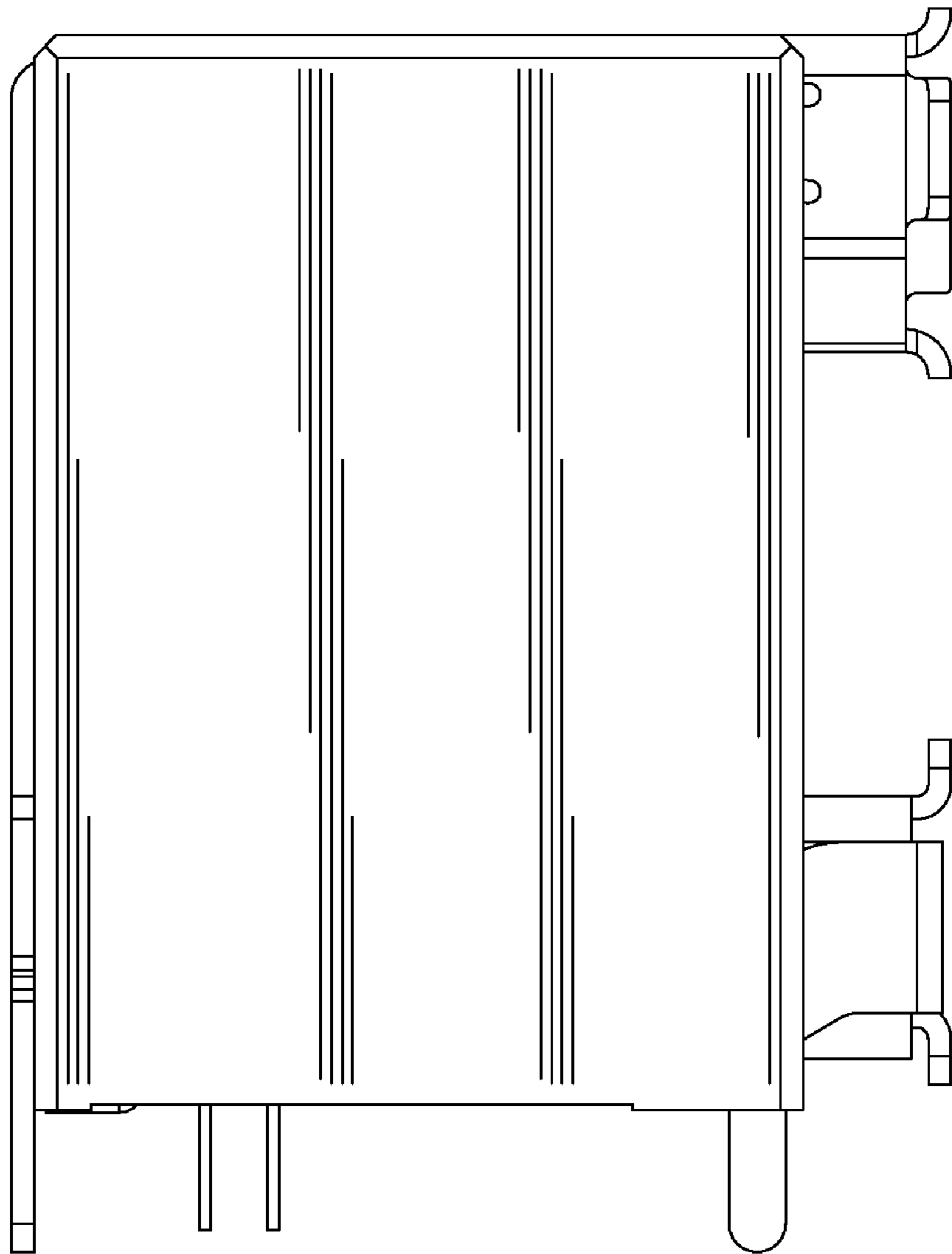


FIG. 4

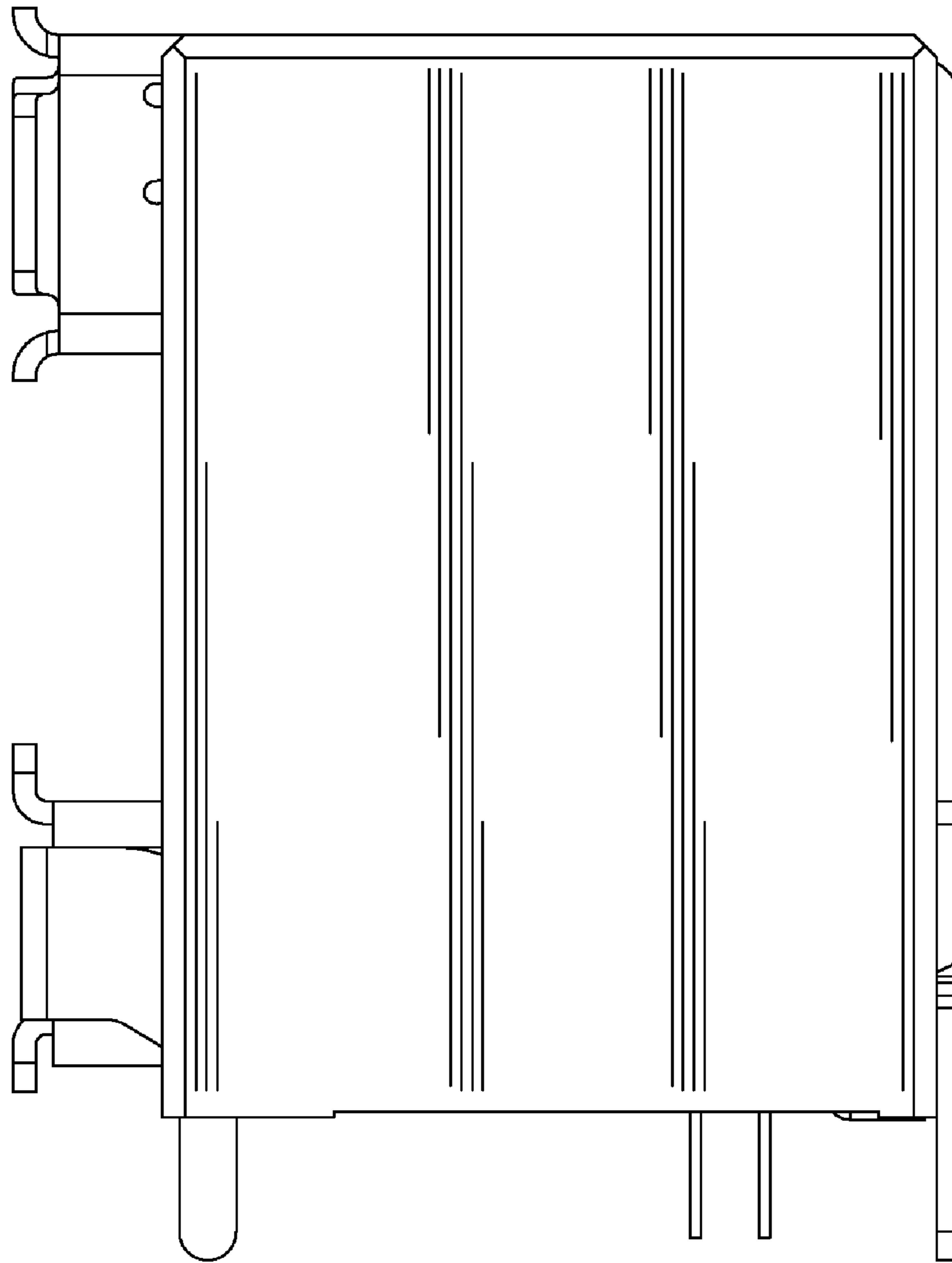


FIG. 5

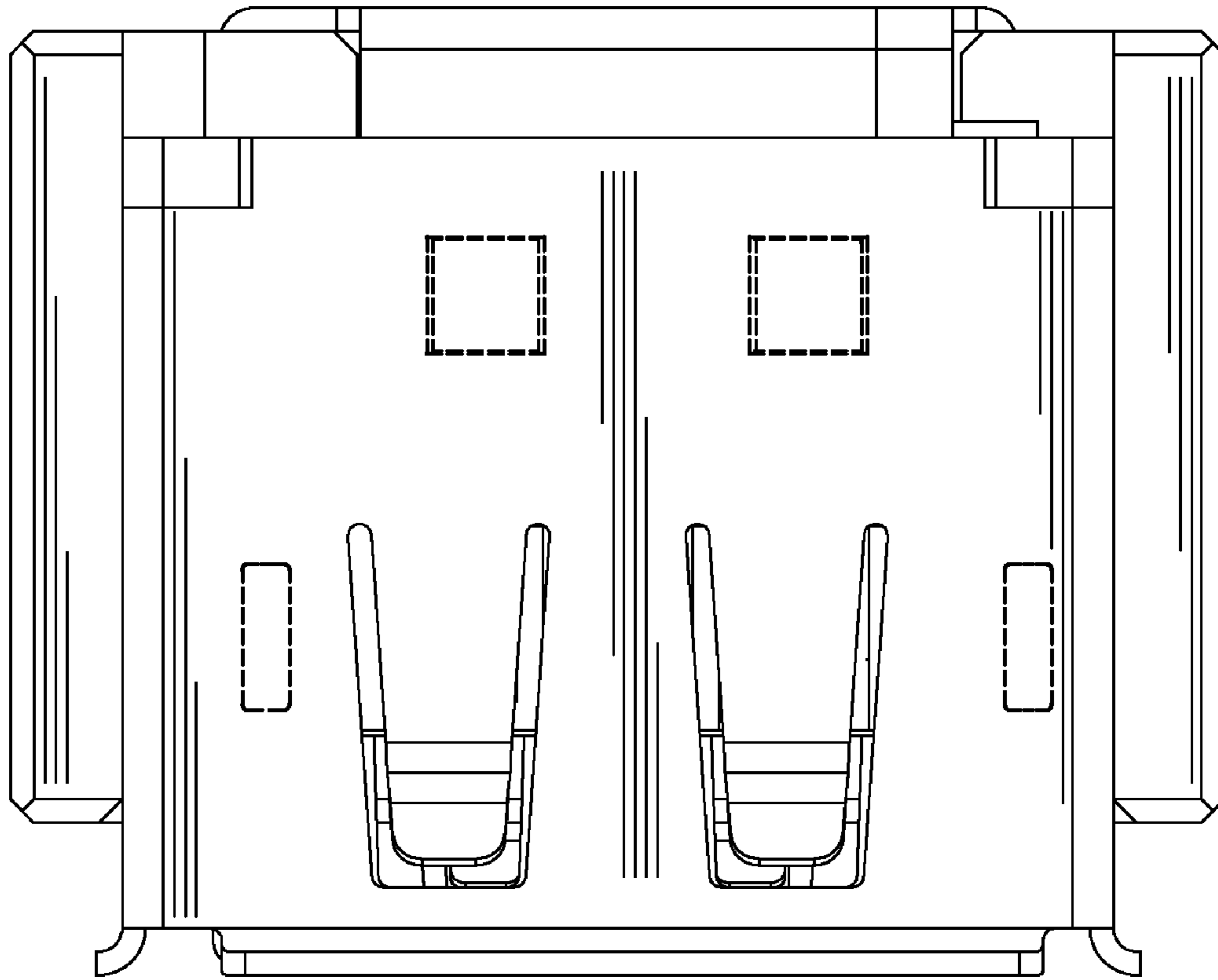


FIG. 6

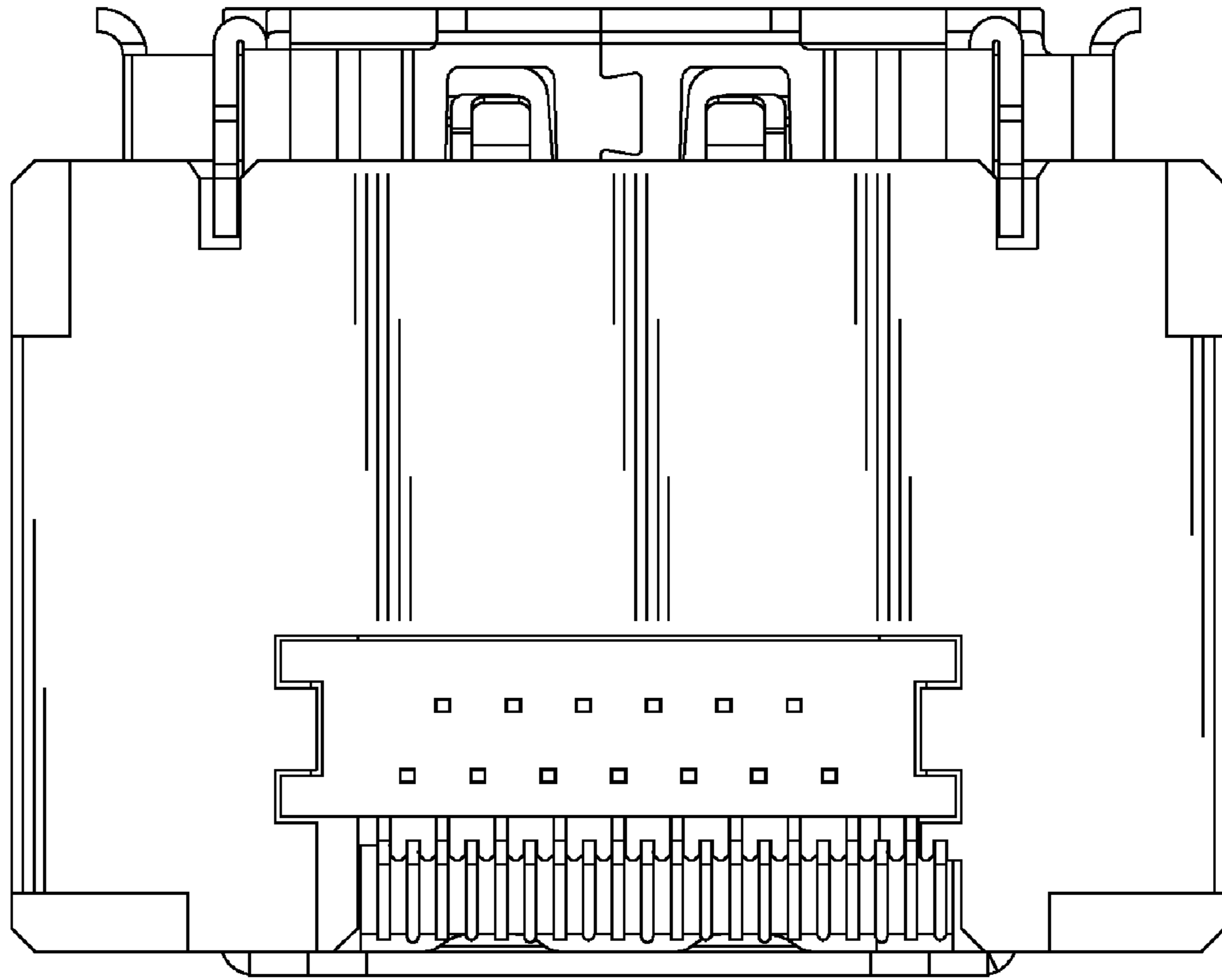


FIG. 7