



US00D614578S

(12) **United States Design Patent**  
**Wang et al.**

(10) **Patent No.:** **US D614,578 S**

(45) **Date of Patent:** **\*\* Apr. 27, 2010**

(54) **ELECTRICAL CONNECTOR**

(75) Inventors: **Chen-Xi Wang**, Kunshan (CN);  
**Hong-Qiang Han**, Kunshan (CN);  
**Zi-Qiang Zhu**, Kunshan (CN)

(73) Assignee: **Hon Hai Precision Ind. Co., Ltd.**,  
Taipei Hsien (TW)

(\*\*) Term: **14 Years**

(21) Appl. No.: **29/342,565**

(22) Filed: **Aug. 27, 2009**

(51) **LOC (9) Cl.** ..... **13-03**

(52) **U.S. Cl.** ..... **D13/147**

(58) **Field of Classification Search** ..... D13/147,  
D13/154, 184; 439/108, 476.1, 483, 527,  
439/533, 607-610, 892, 894

See application file for complete search history.

(56) **References Cited**

**U.S. PATENT DOCUMENTS**

D409,575 S \* 5/1999 Okamoto ..... D13/147

D465,457 S \* 11/2002 Hu et al. .... D13/147

D482,332 S \* 11/2003 Zhang ..... D13/147

D523,400 S \* 6/2006 Shang-Yen et al. .... D13/147

D583,328 S \* 12/2008 Chiang ..... D13/147

\* cited by examiner

*Primary Examiner*—Daniel D Bui

(74) *Attorney, Agent, or Firm*—Wei Te Chung; Andrew C.  
Cheng; Ming Chieh Chang

(57) **CLAIM**

The ornamental design for an electrical connector, as shown.

**DESCRIPTION**

FIG. 1 is a front, top and right side perspective view of an electrical connector showing our new design;

FIG. 2 is a front elevational view thereof;

FIG. 3 is a rear elevational view thereof;

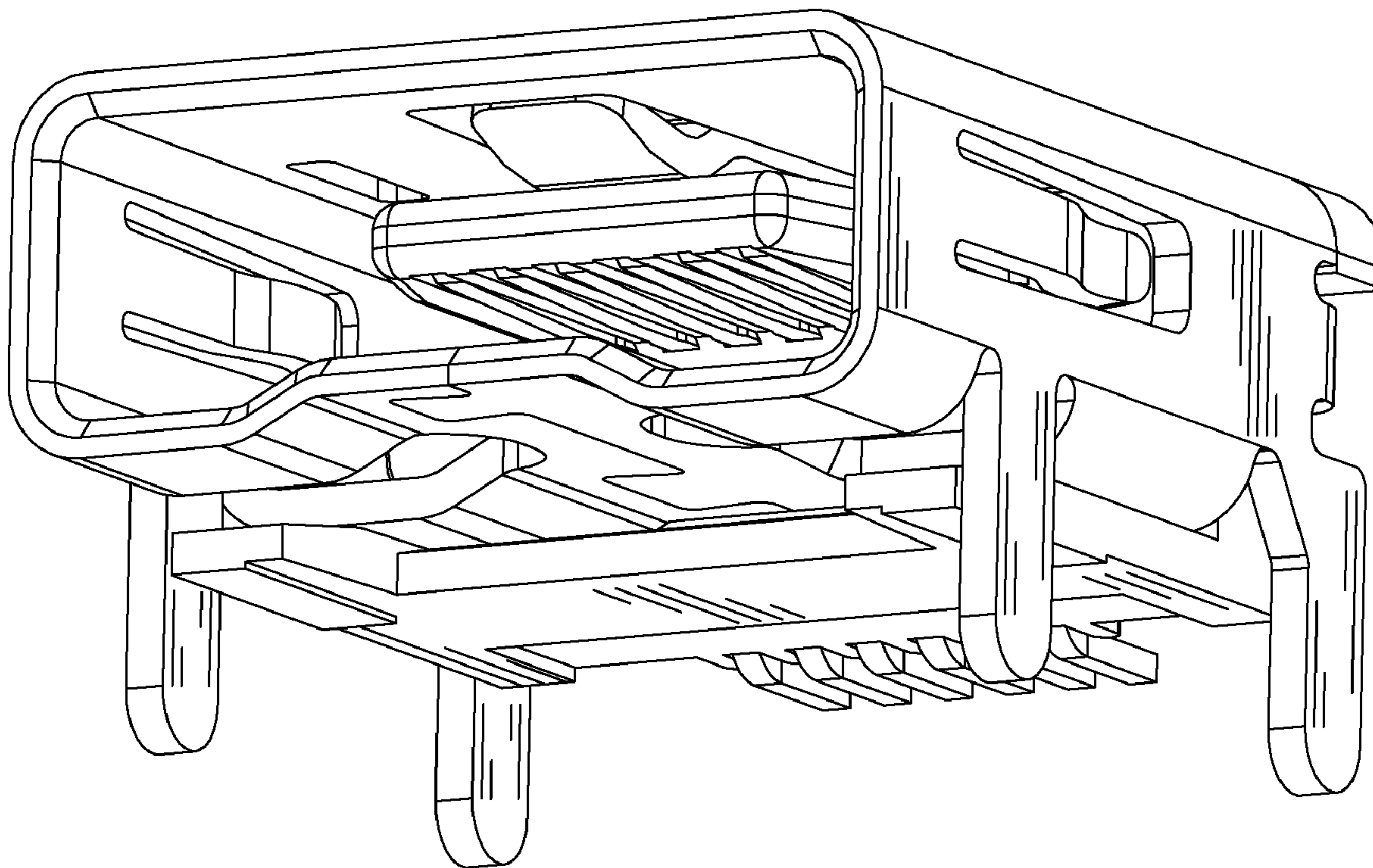
FIG. 4 is a left side elevational view thereof;

FIG. 5 is a right side elevational view thereof;

FIG. 6 is a top plan view thereof; and,

FIG. 7 is a bottom plan view thereof.

**1 Claim, 7 Drawing Sheets**



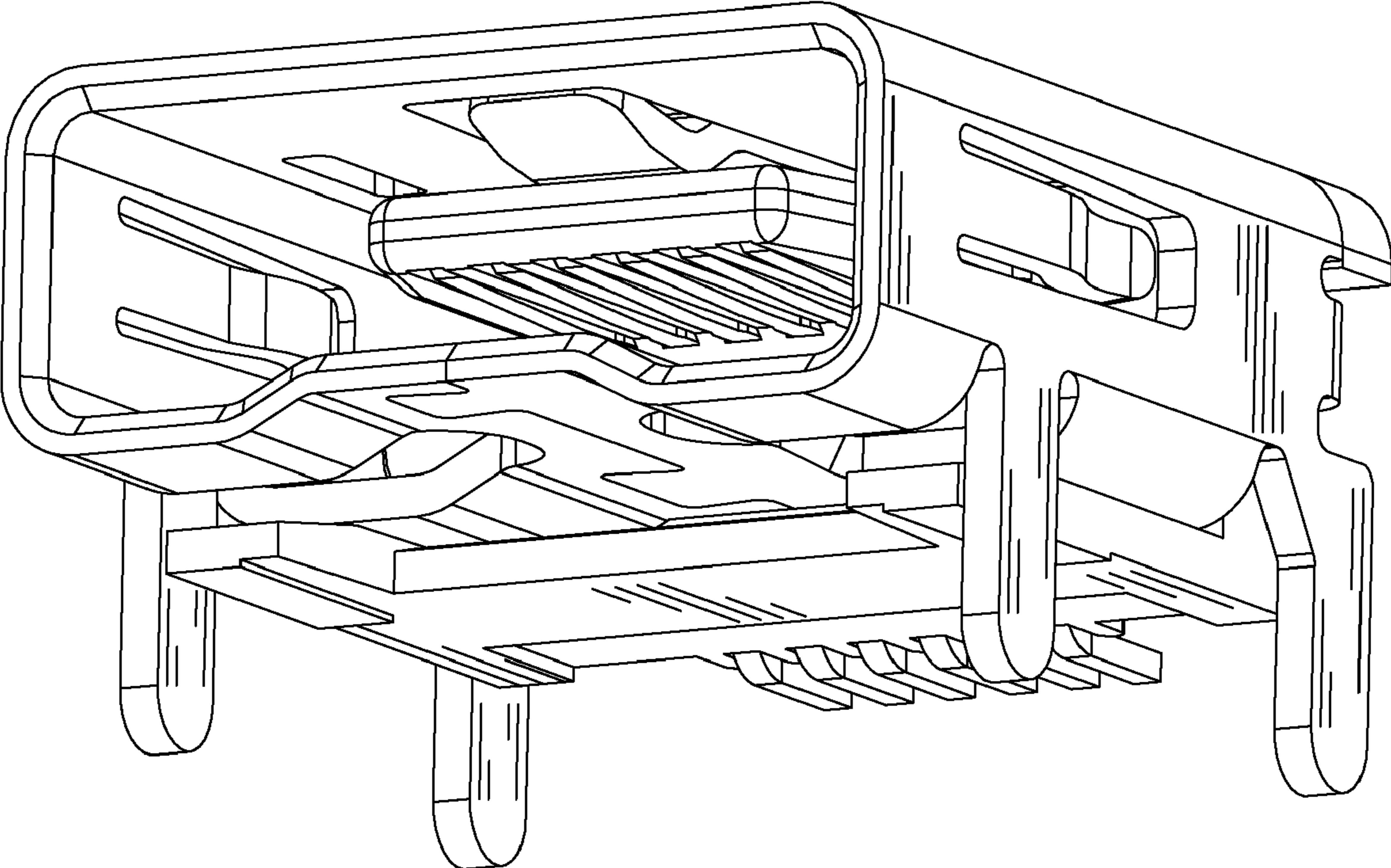


FIG. 1

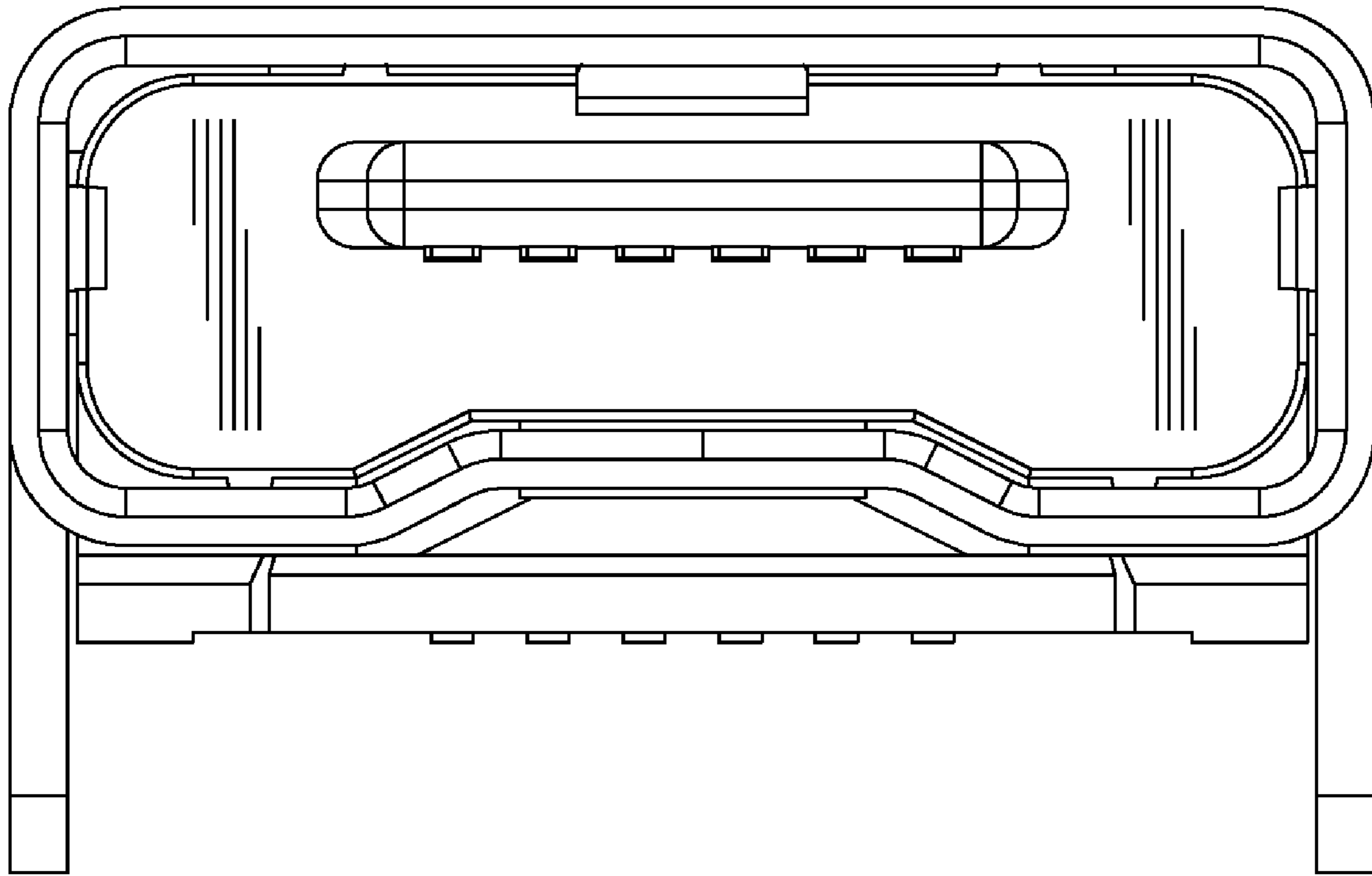


FIG. 2

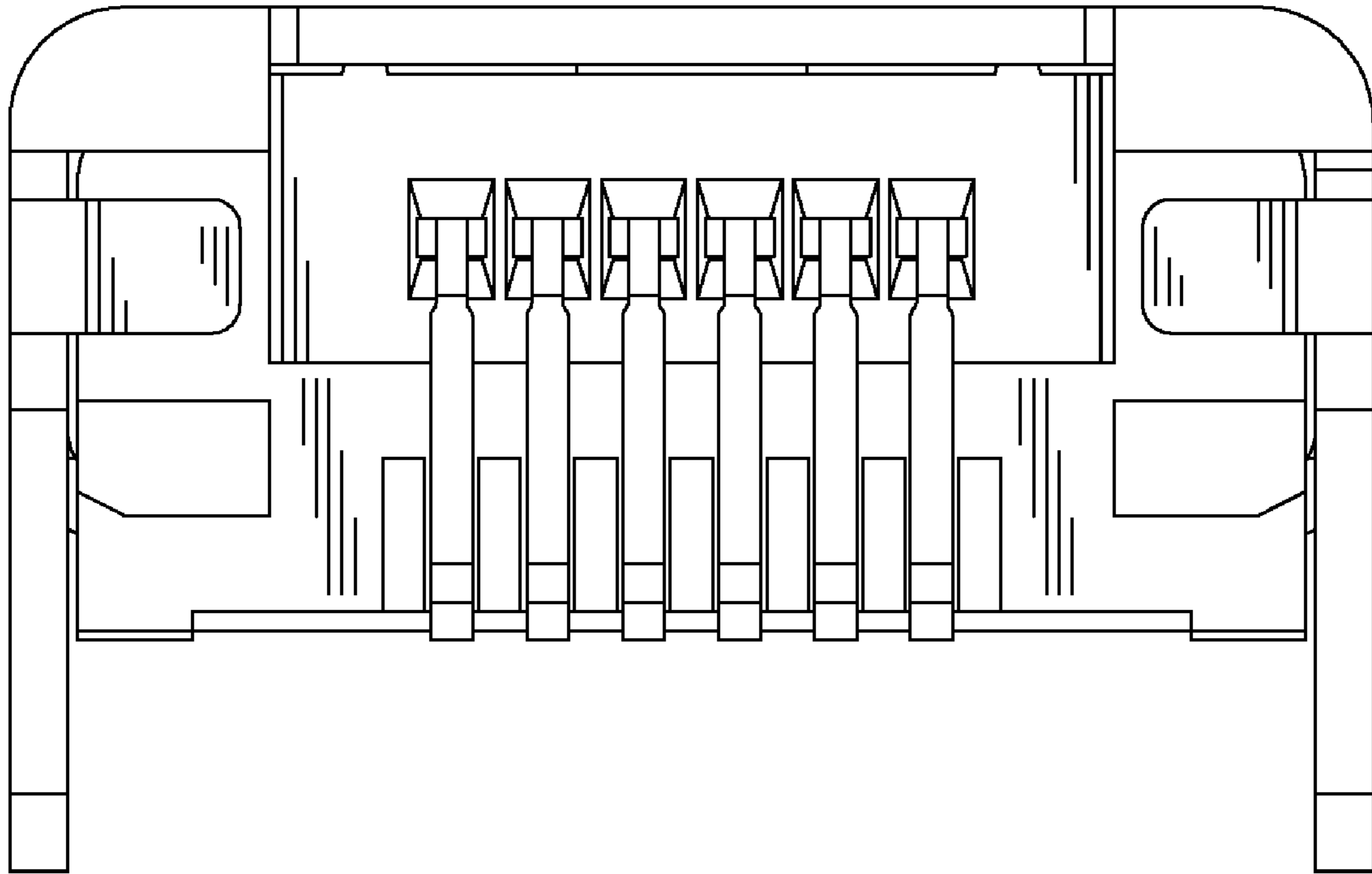


FIG. 3

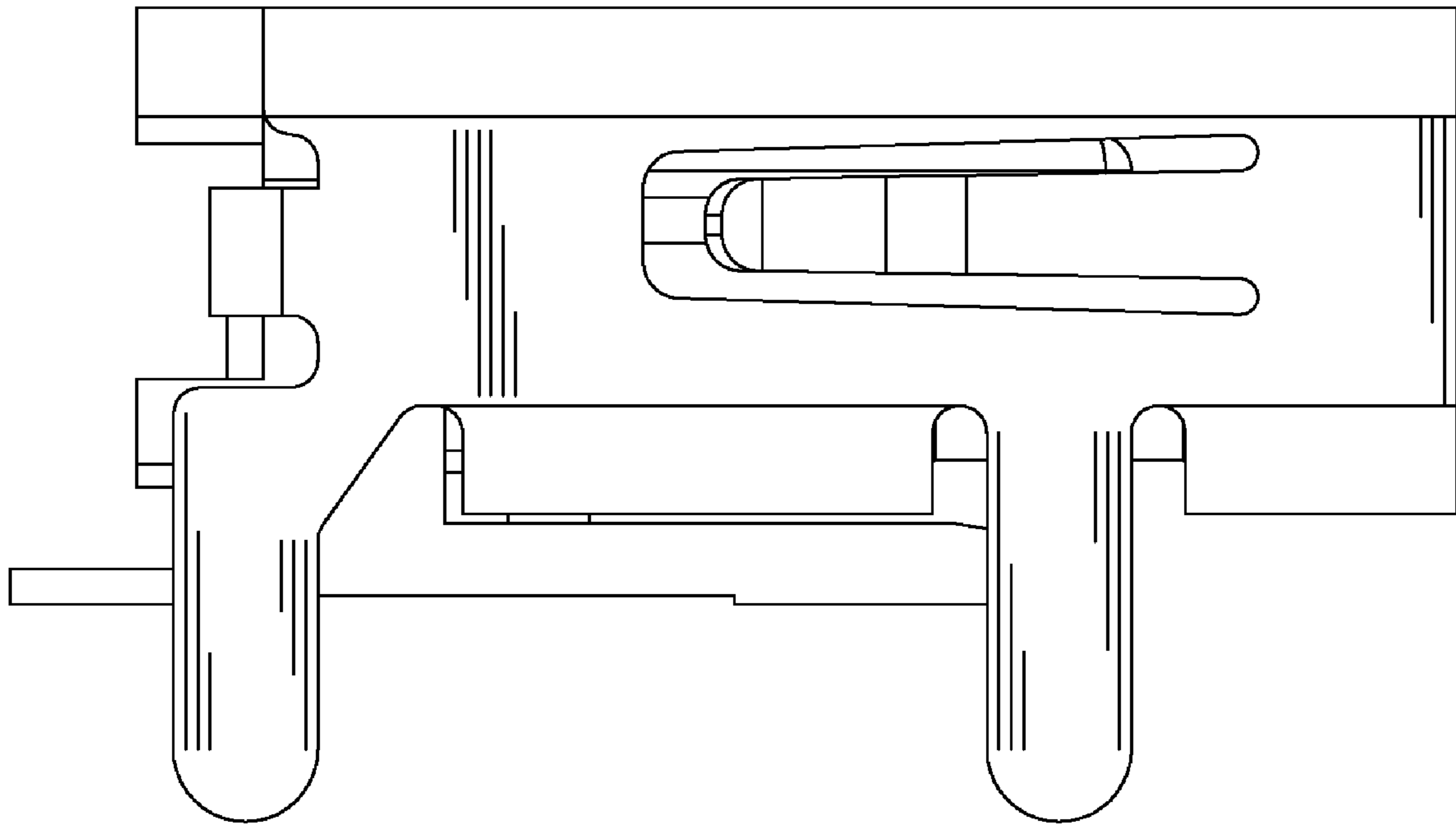


FIG. 4

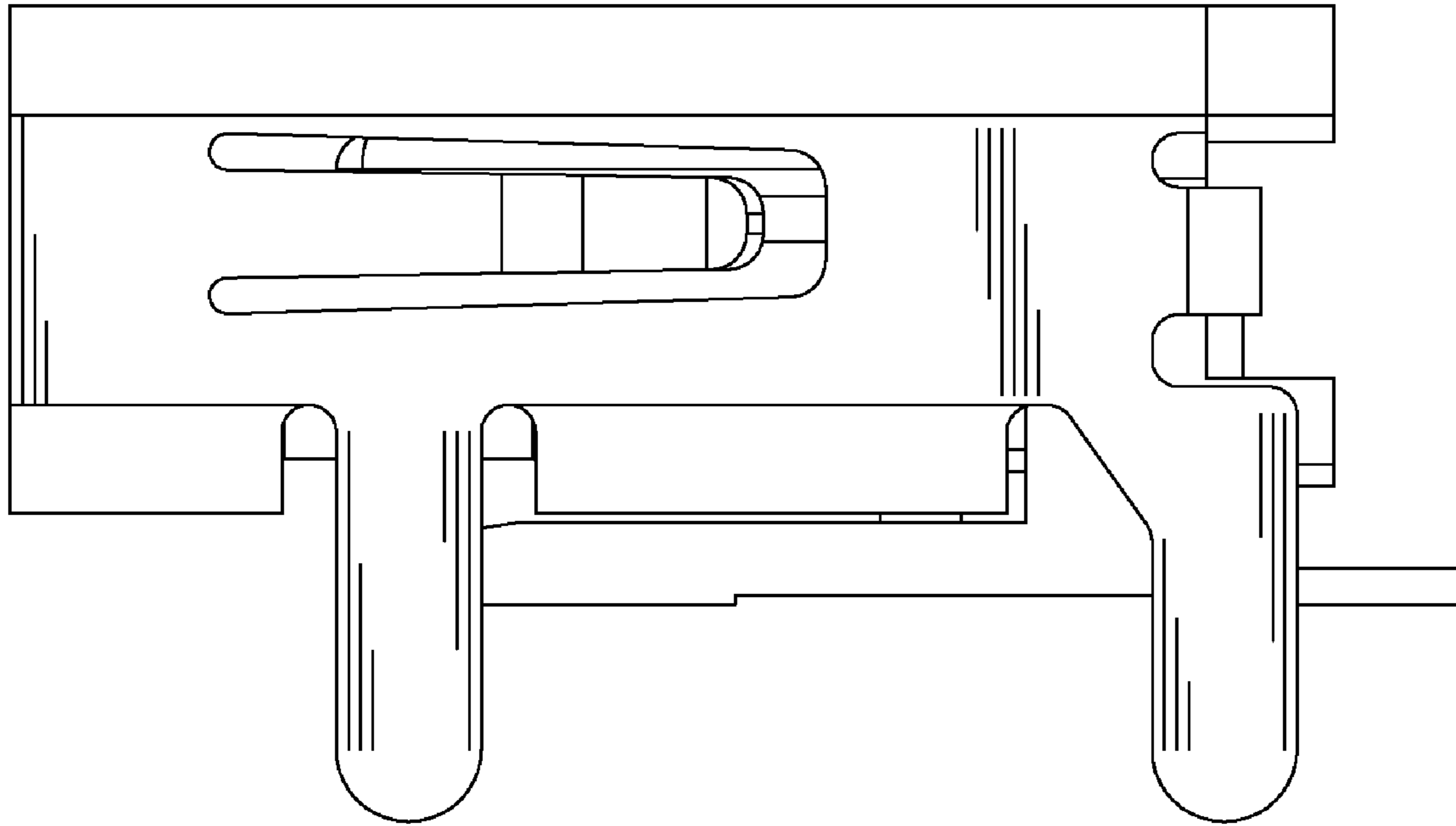


FIG. 5

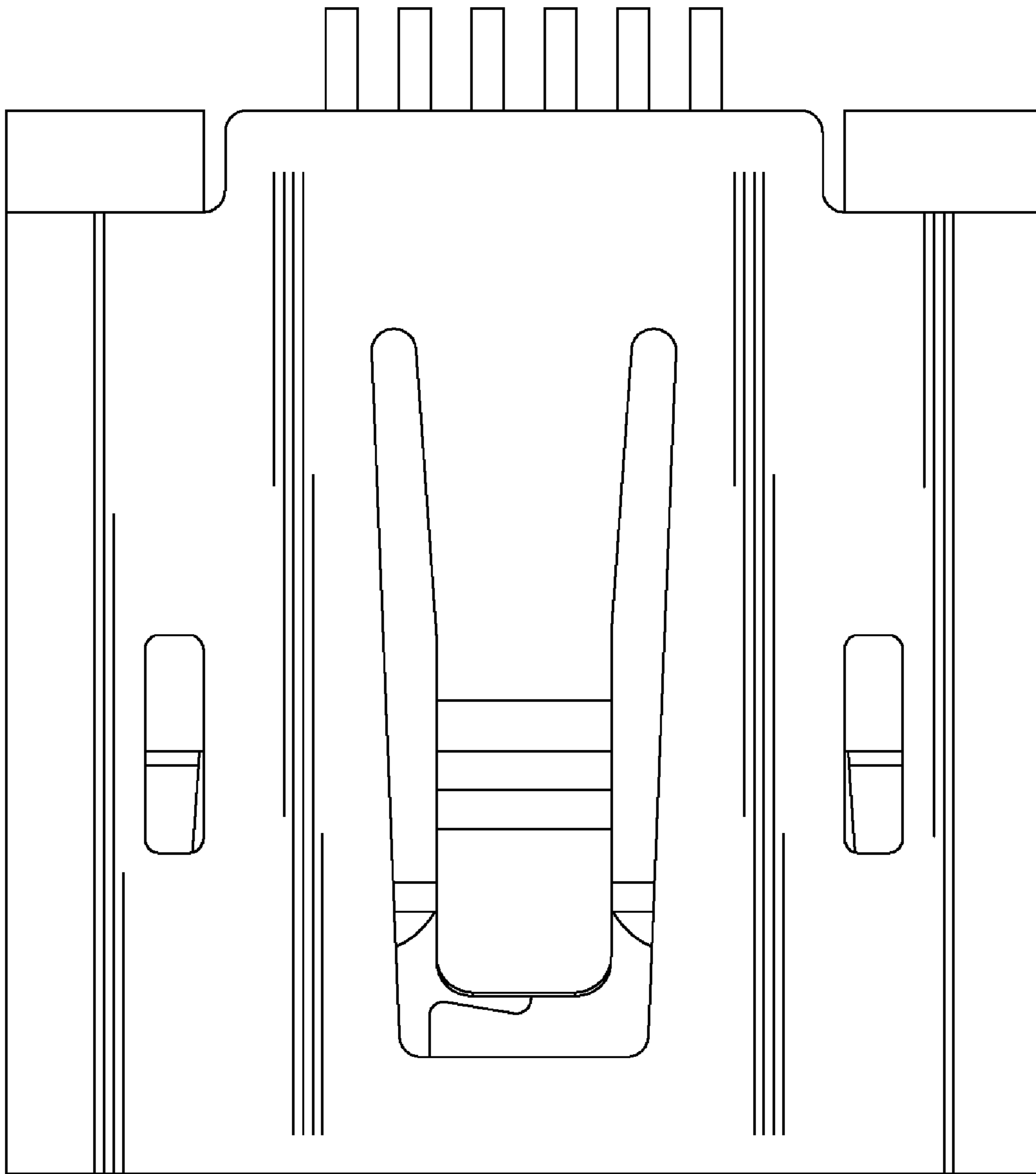


FIG. 6

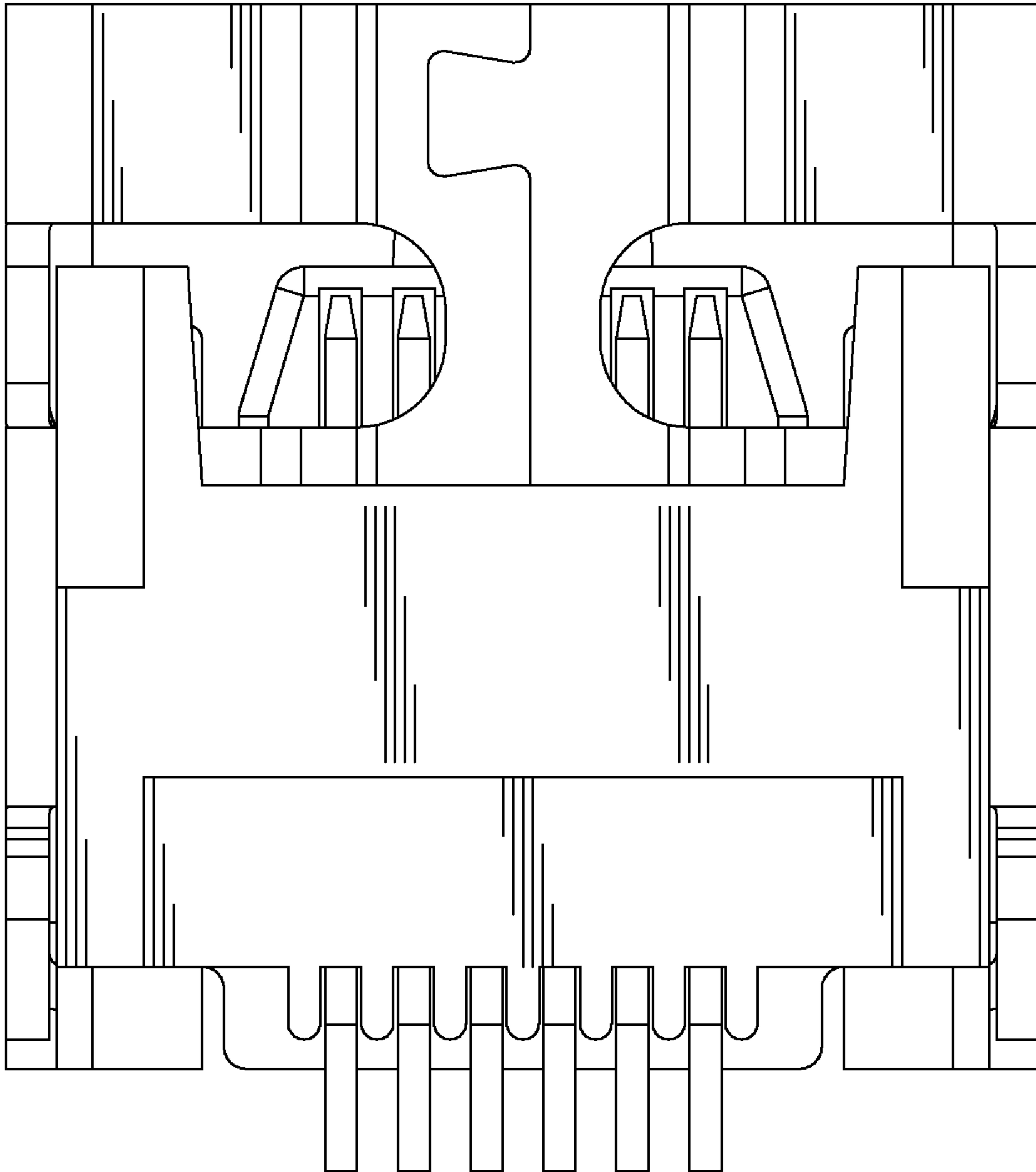


FIG. 7