



US00D614577S

(12) **United States Design Patent**
Nakajima et al.

(10) **Patent No.:** **US D614,577 S**

(45) **Date of Patent:** **** Apr. 27, 2010**

(54) **ELECTRICAL CONNECTOR**

(75) Inventors: **Takamitsu Nakajima**, Tokyo (JP);
Hideyuki Nishioka, Irvine, CA (US)

(73) Assignee: **Japan Aviation Electronics Industry, Limited**, Tokyo (JP)

(**) Term: **14 Years**

(21) Appl. No.: **29/316,326**

(22) Filed: **Sep. 14, 2009**

(51) **LOC (9) Cl.** **13-03**

(52) **U.S. Cl.** **D13/147**

(58) **Field of Classification Search** D13/133,
D13/146-147, 153, 154, 184; 439/79, 108,
439/260, 325, 328, 607-610, 660, 668, 680,
439/682

See application file for complete search history.

(56) **References Cited**

U.S. PATENT DOCUMENTS

- 6,068,501 A * 5/2000 Knighton et al. 439/328
- D497,594 S * 10/2004 Hisamatsu et al. D13/147
- D529,445 S * 10/2006 Ro D13/147
- D533,138 S * 12/2006 Yoshikai D13/147

- D591,241 S * 4/2009 Yang D13/147
- D605,129 S * 12/2009 Miyazaki D13/147

* cited by examiner

Primary Examiner—Daniel D Bui

(74) *Attorney, Agent, or Firm*—Collard & Roe, P.C.

(57) **CLAIM**

The ornamental design for an electrical connector, as shown and described.

DESCRIPTION

FIG. 1 is a front elevational view of an electrical connector showing our new design;

FIG. 2 is a back elevational view thereof;

FIG. 3 is a right side elevational view thereof;

FIG. 4 is a left side elevational view thereof;

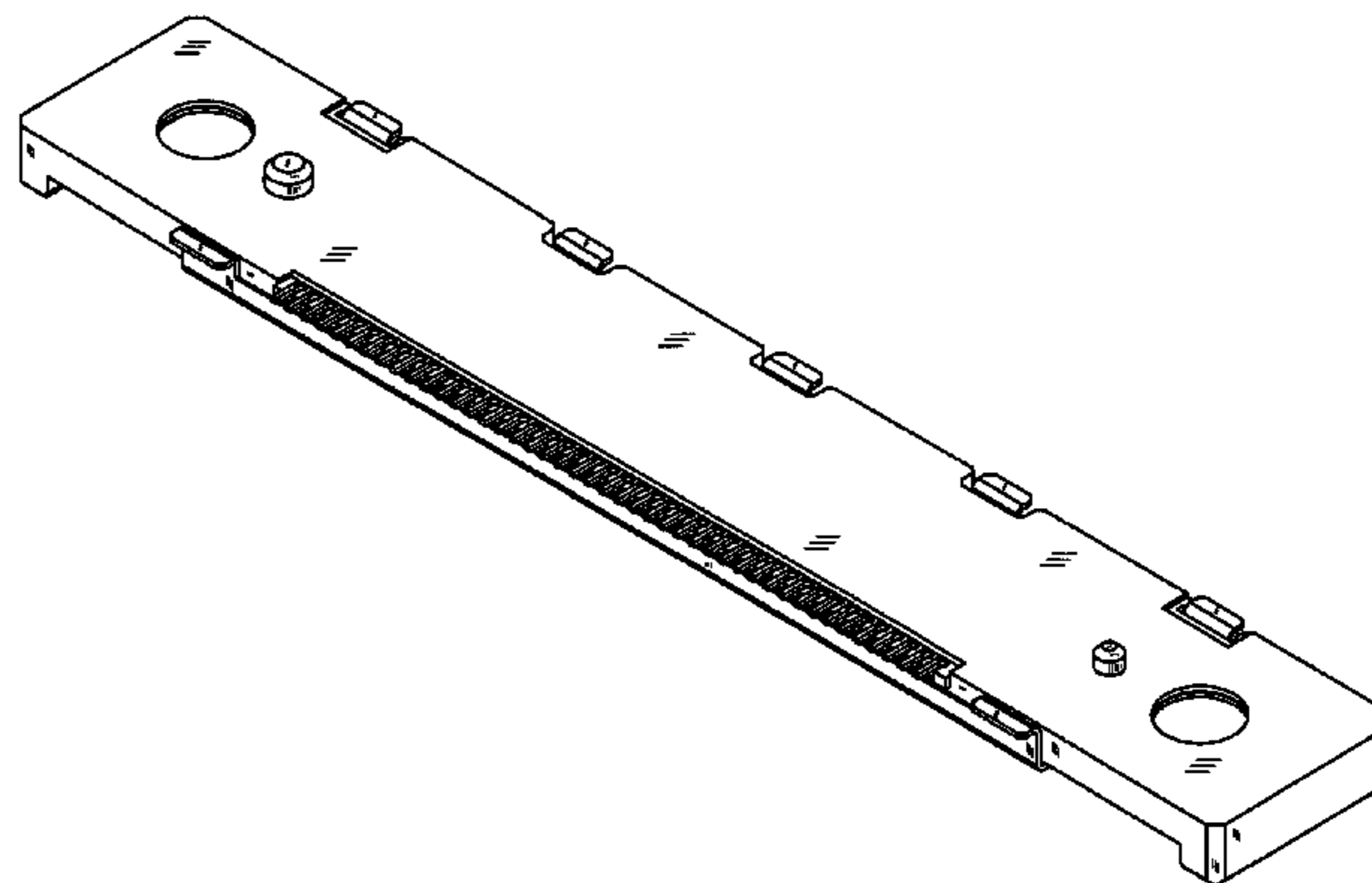
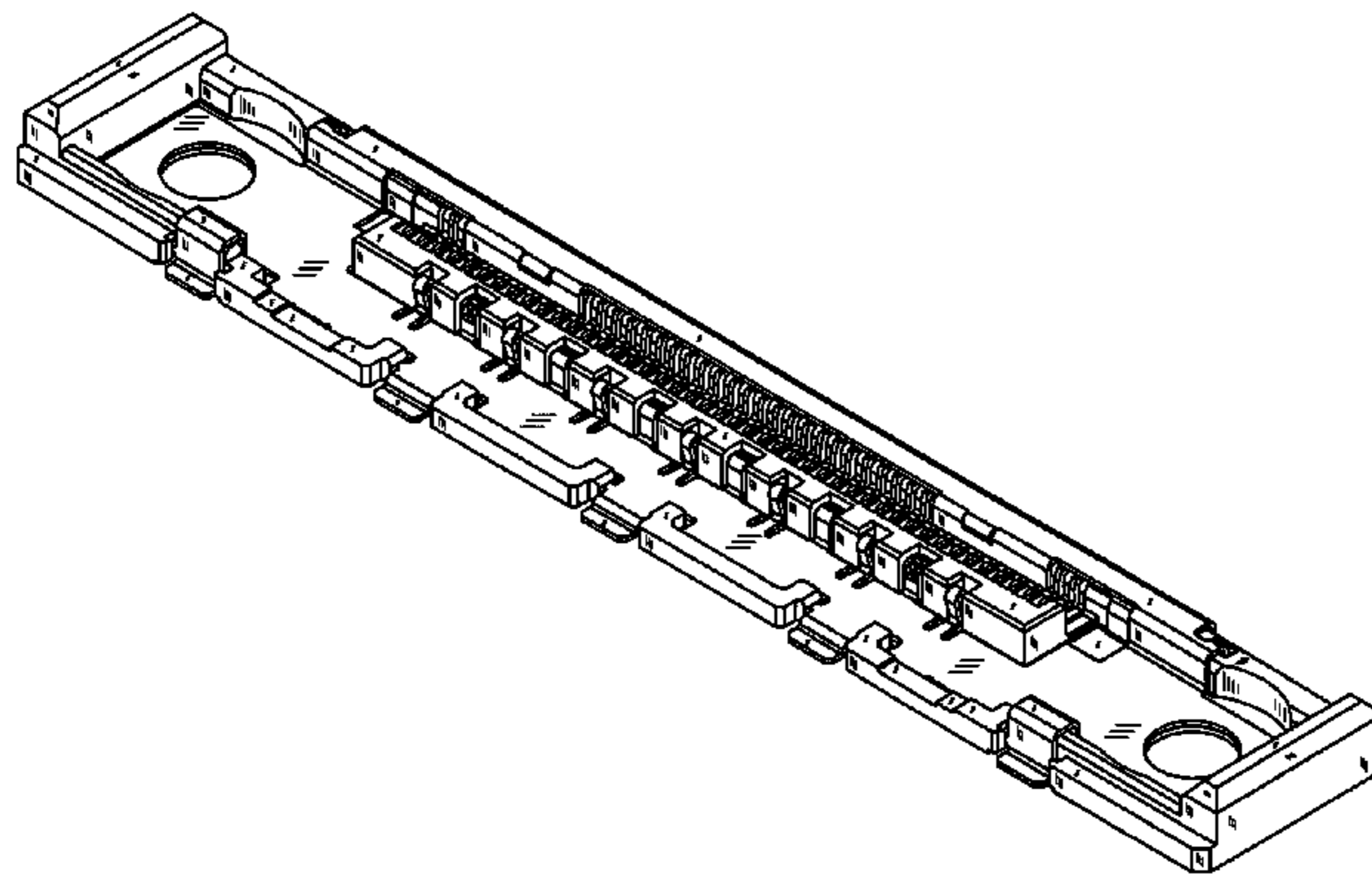
FIG. 5 is a top plan view thereof;

FIG. 6 is a bottom plan view thereof;

FIG. 7 is a front, right side and top perspective view thereof; and,

FIG. 8 is a back, bottom and right side perspective view thereof.

1 Claim, 8 Drawing Sheets



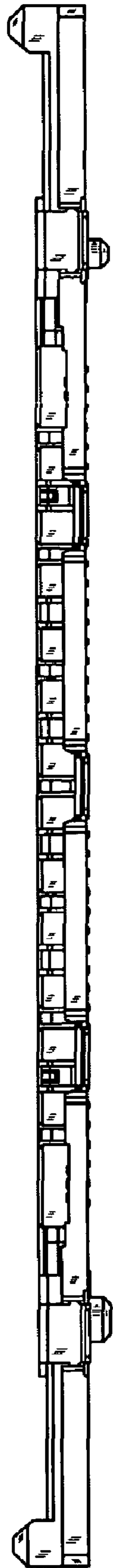


FIG.1

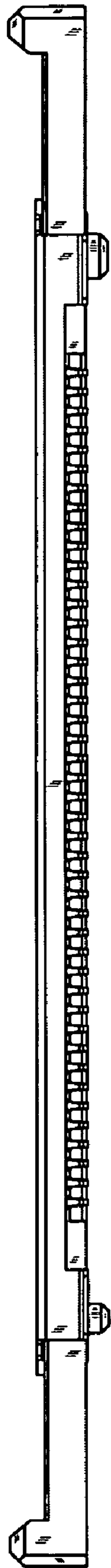


FIG.2

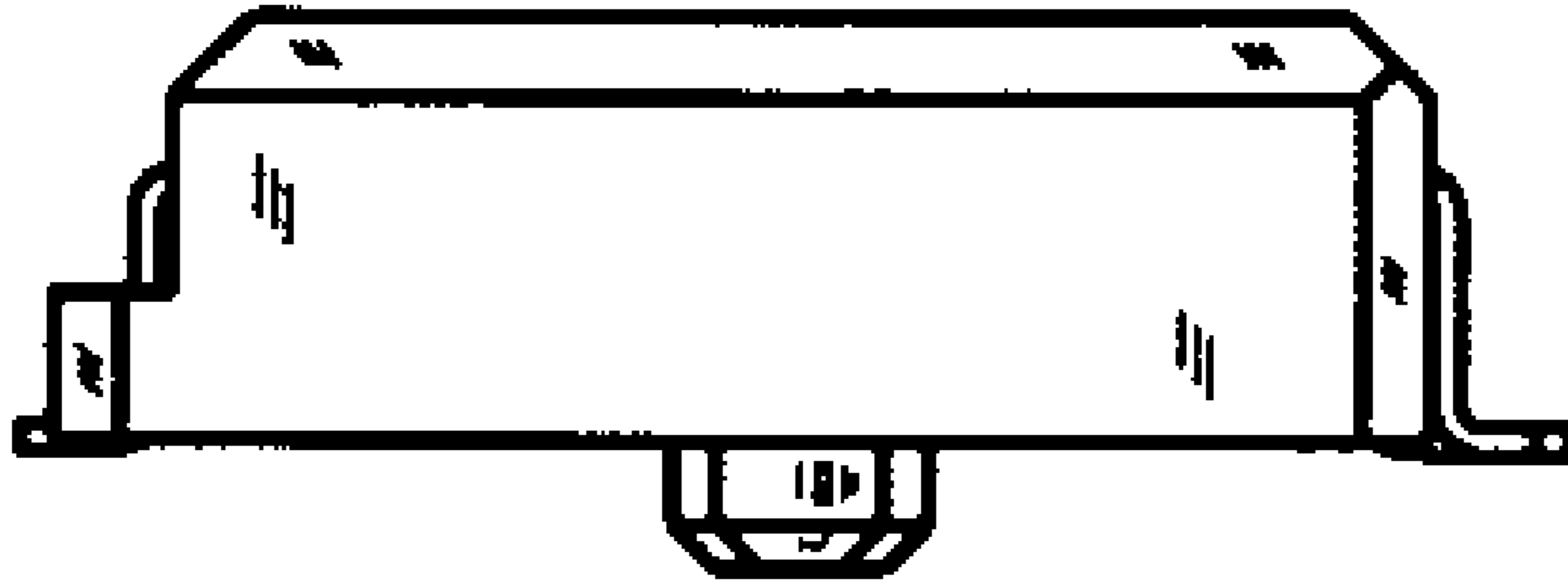


FIG. 3

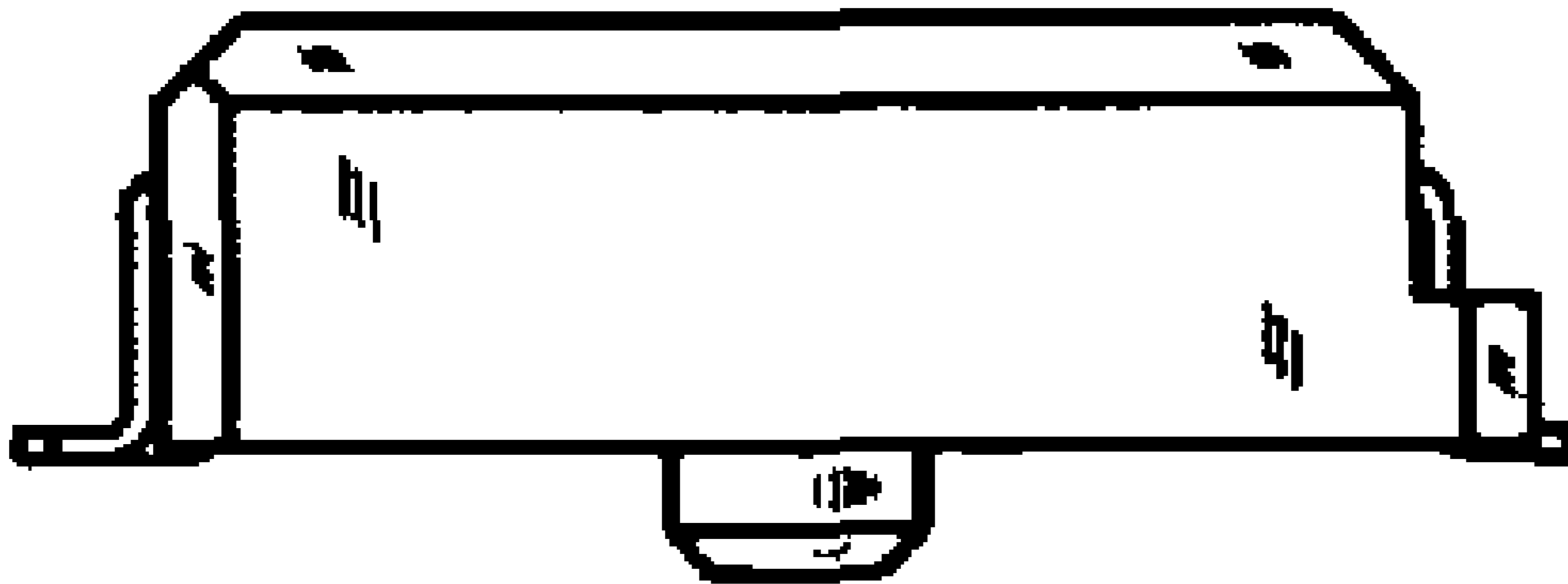


FIG. 4

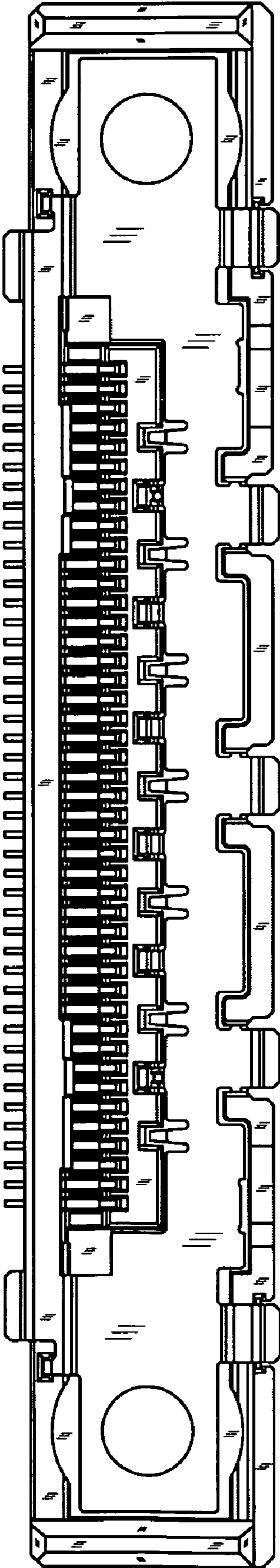


FIG.5

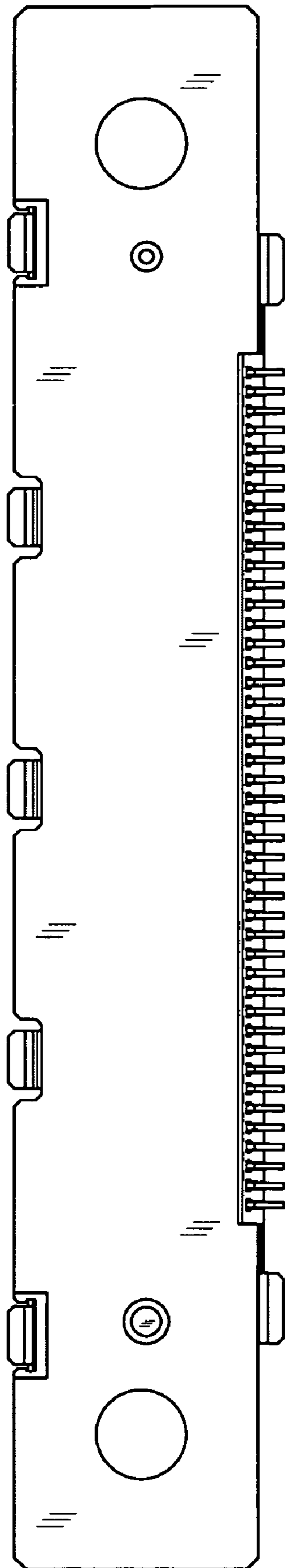


FIG.6

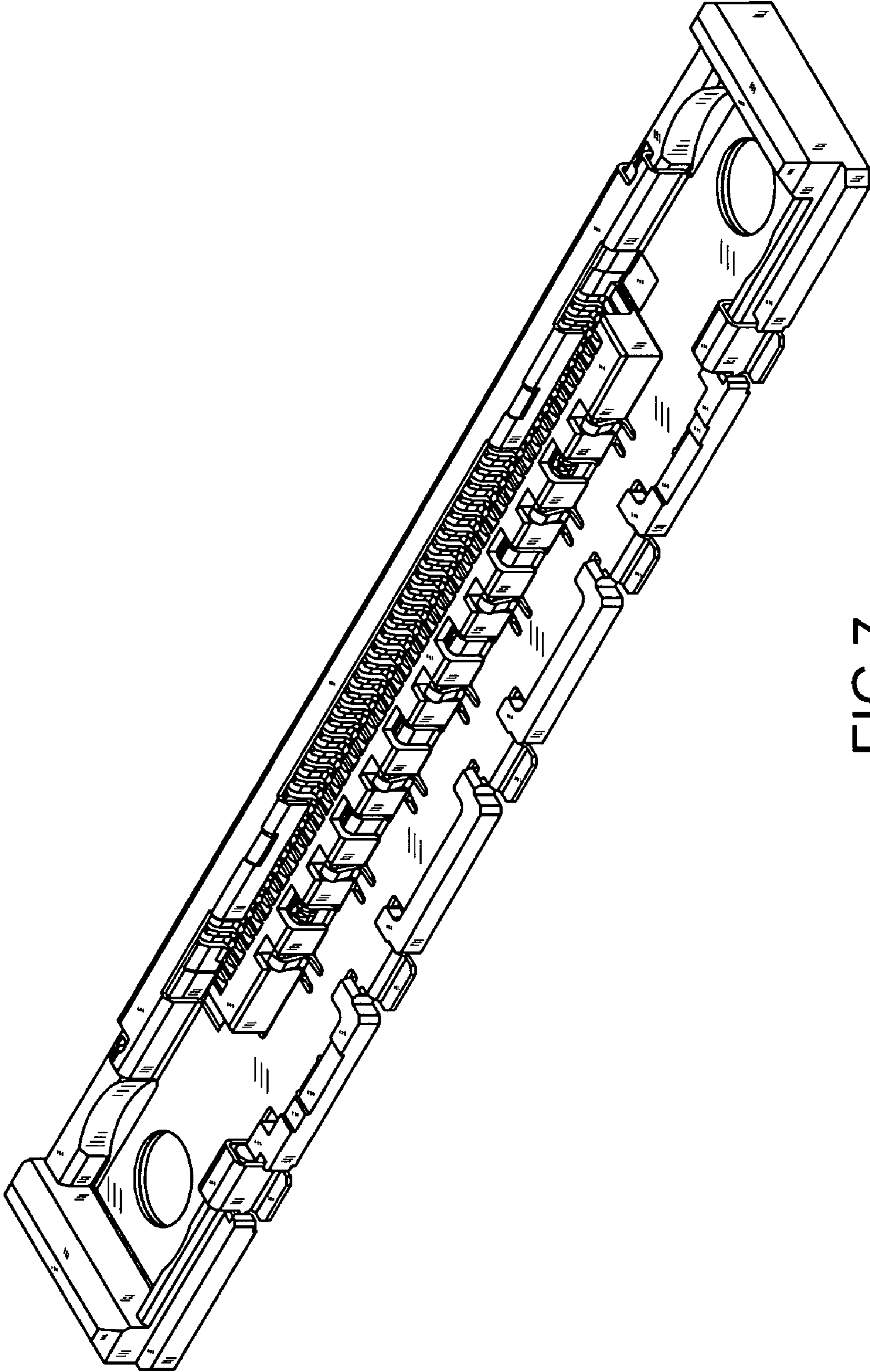


FIG.7

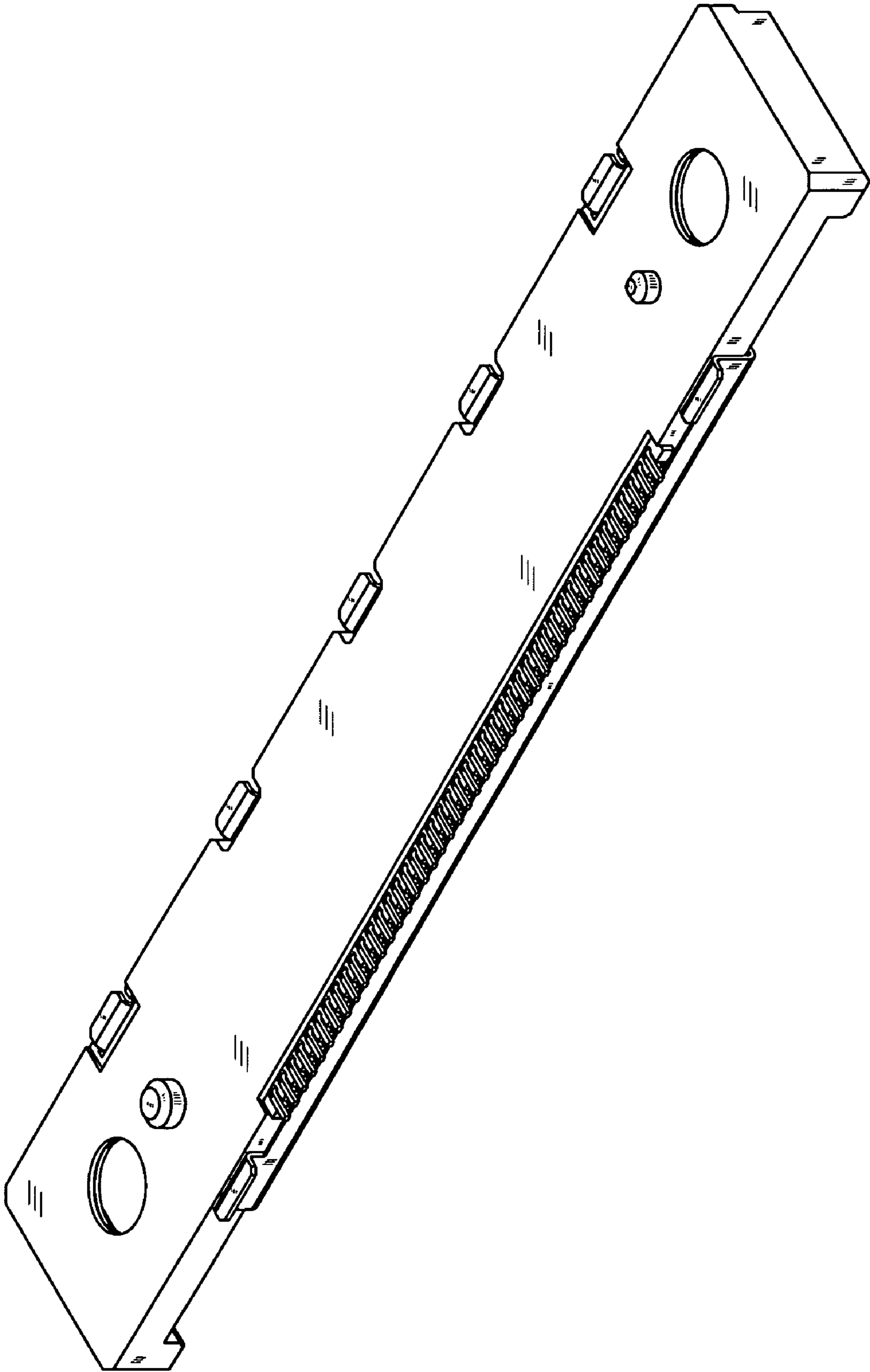


FIG.8