



US00D614576S

(12) **United States Design Patent**
Chiang

(10) **Patent No.:** **US D614,576 S**

(45) **Date of Patent:** **** Apr. 27, 2010**

(54) **CARD CONTACT**

(75) Inventor: **Shu Man Chiang**, Tu-Cheng (TW)

(73) Assignee: **Cheng Uei Precision Industry Co., Ltd.**, Taipei Hsien (TW)

(**) Term: **14 Years**

(21) Appl. No.: **29/309,884**

(22) Filed: **Oct. 31, 2008**

(51) **LOC (9) Cl.** **13-03**

(52) **U.S. Cl.** **D13/147**

(58) **Field of Classification Search** D13/146-147,
D13/120, 154, 184; D14/432, 433, 435,
D14/436, 438; 361/684-685; 439/64, 79,
439/159-160, 330-331, 341-342, 607-610,
439/629-630, 636, 660, 946

See application file for complete search history.

(56) **References Cited**

U.S. PATENT DOCUMENTS

- D559,787 S * 1/2008 Sasaki et al. D13/147
- D568,250 S * 5/2008 Wu et al. D13/147
- D570,291 S * 6/2008 Zhang D13/147
- D576,954 S * 9/2008 Hsiao D13/147

D580,363 S * 11/2008 Hung D13/147

* cited by examiner

Primary Examiner—Daniel D Bui

(74) *Attorney, Agent, or Firm*—Rosenberg, Klein & Lee

(57) **CLAIM**

The ornamental design for a card contact, as shown and described.

DESCRIPTION

FIG. 1 is a perspective view of a card contact showing my new design;

FIG. 2 is a front elevational view thereof;

FIG. 3 is a rear elevational view thereof;

FIG. 4 is a left side elevational view thereof;

FIG. 5 is a right side elevational view thereof;

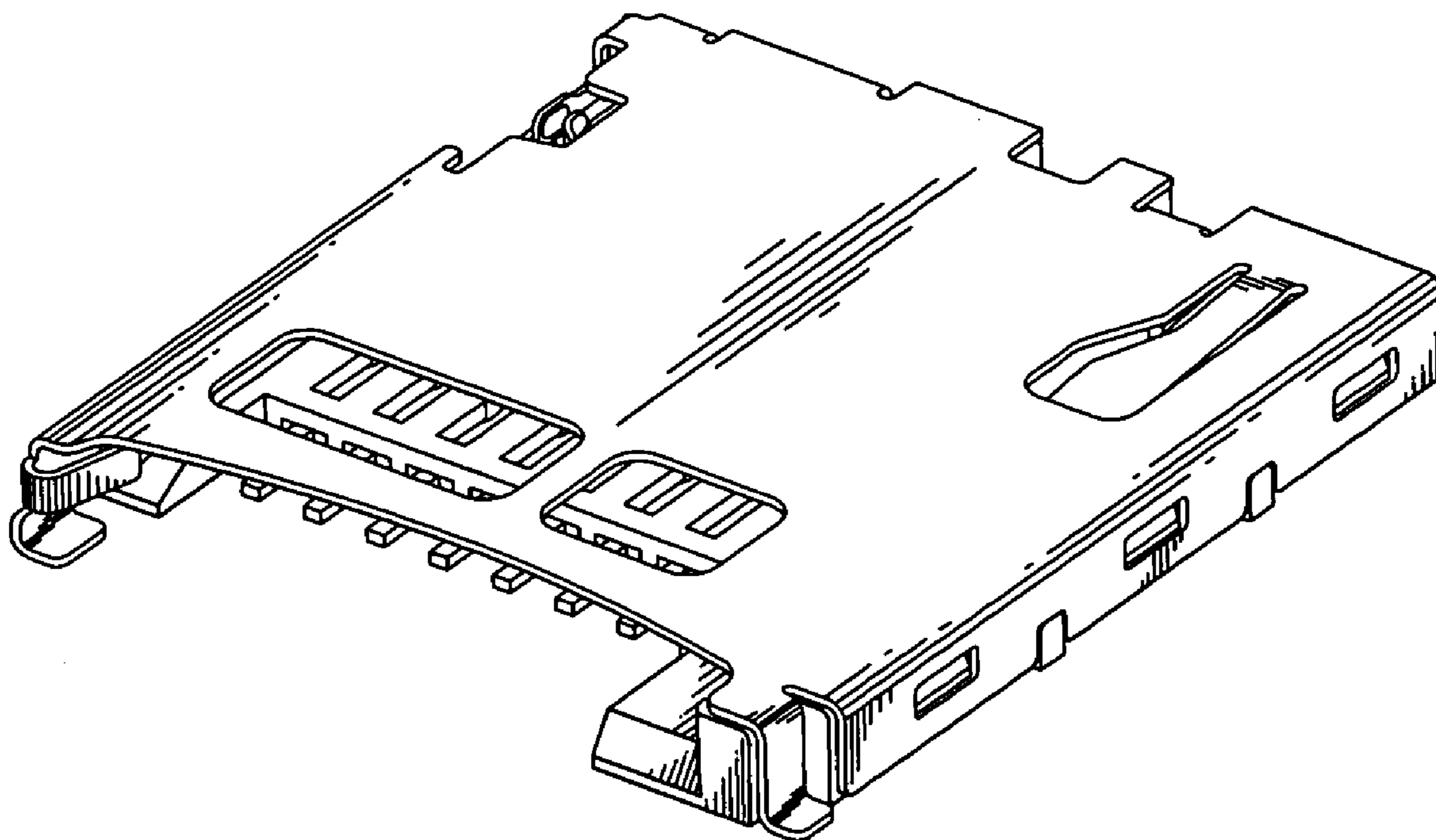
FIG. 6 is a top plan view thereof;

FIG. 7 is a bottom plan view thereof;

FIG. 8 is another perspective view thereof in which a cover is taken off; and,

FIG. 9 is still another perspective view thereof in which the cover is taken off.

1 Claim, 9 Drawing Sheets



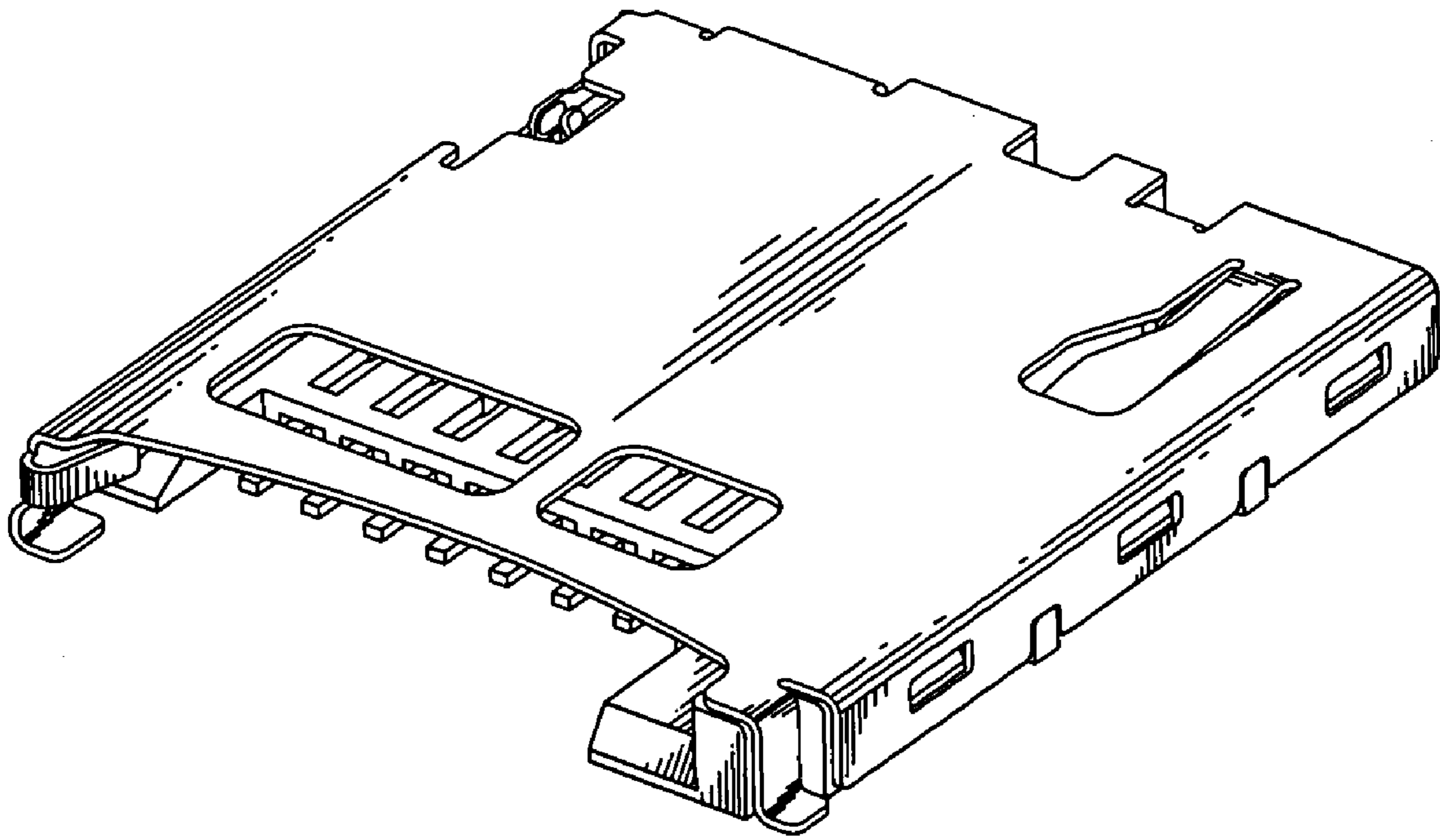


FIG. 1



FIG. 2

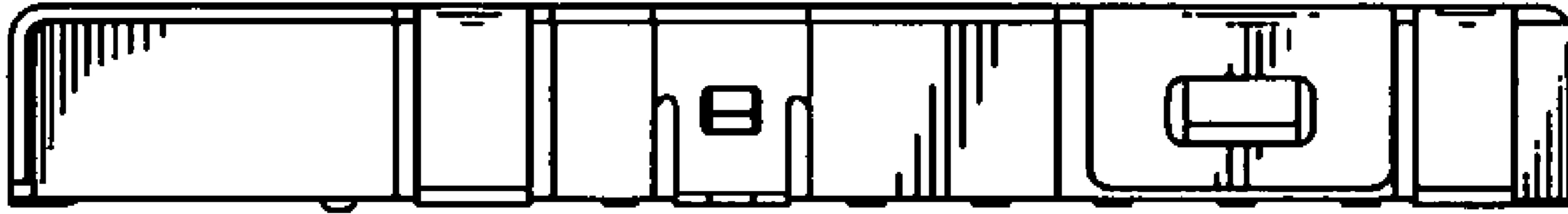


FIG. 3

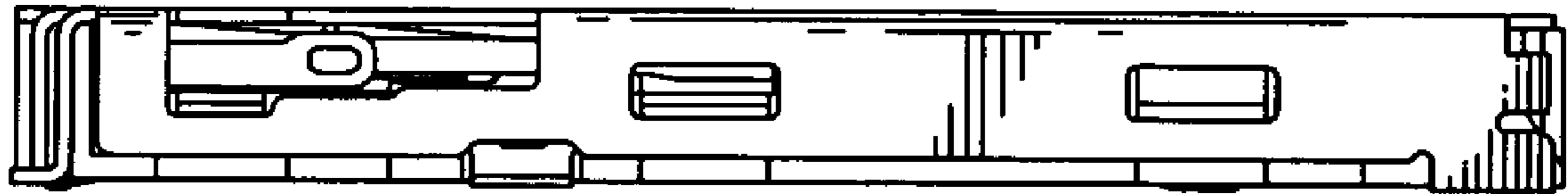


FIG. 4

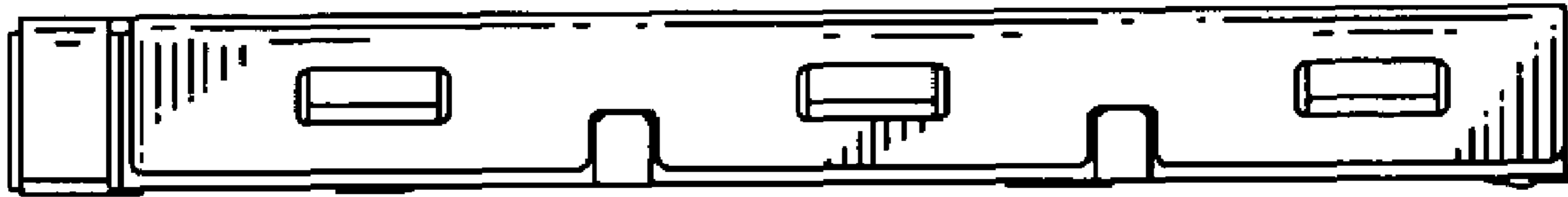


FIG. 5

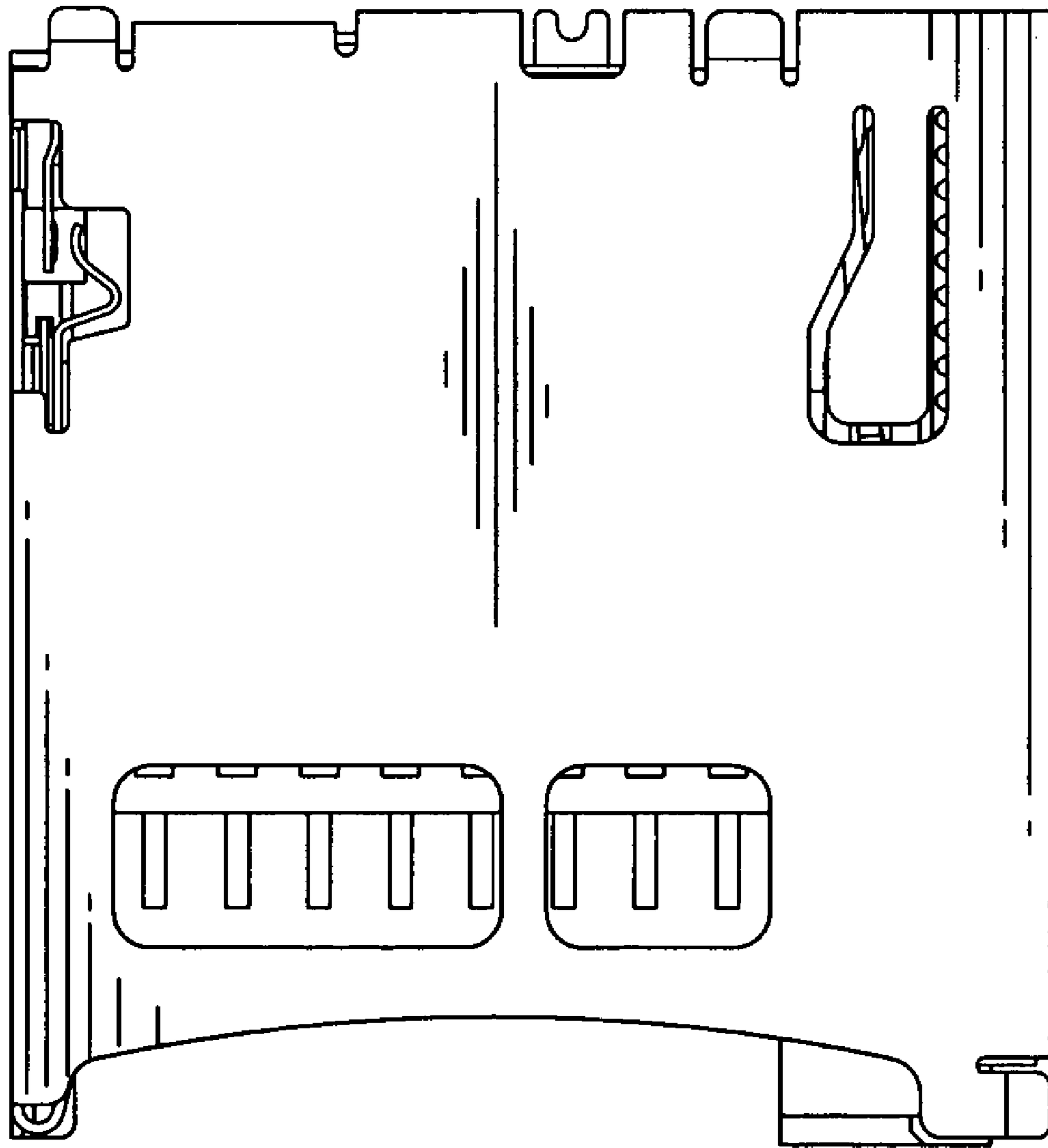


FIG. 6

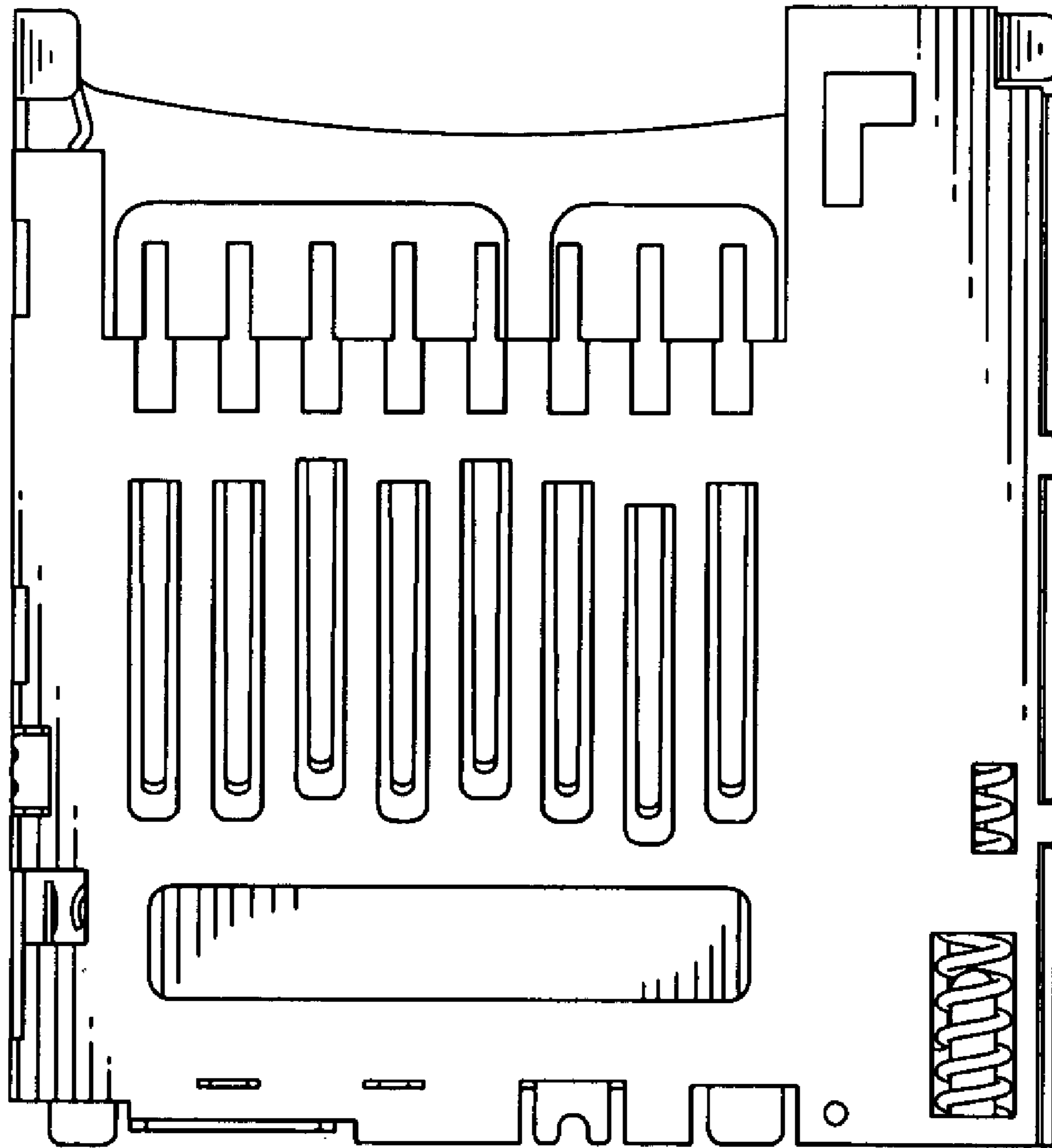


FIG. 7

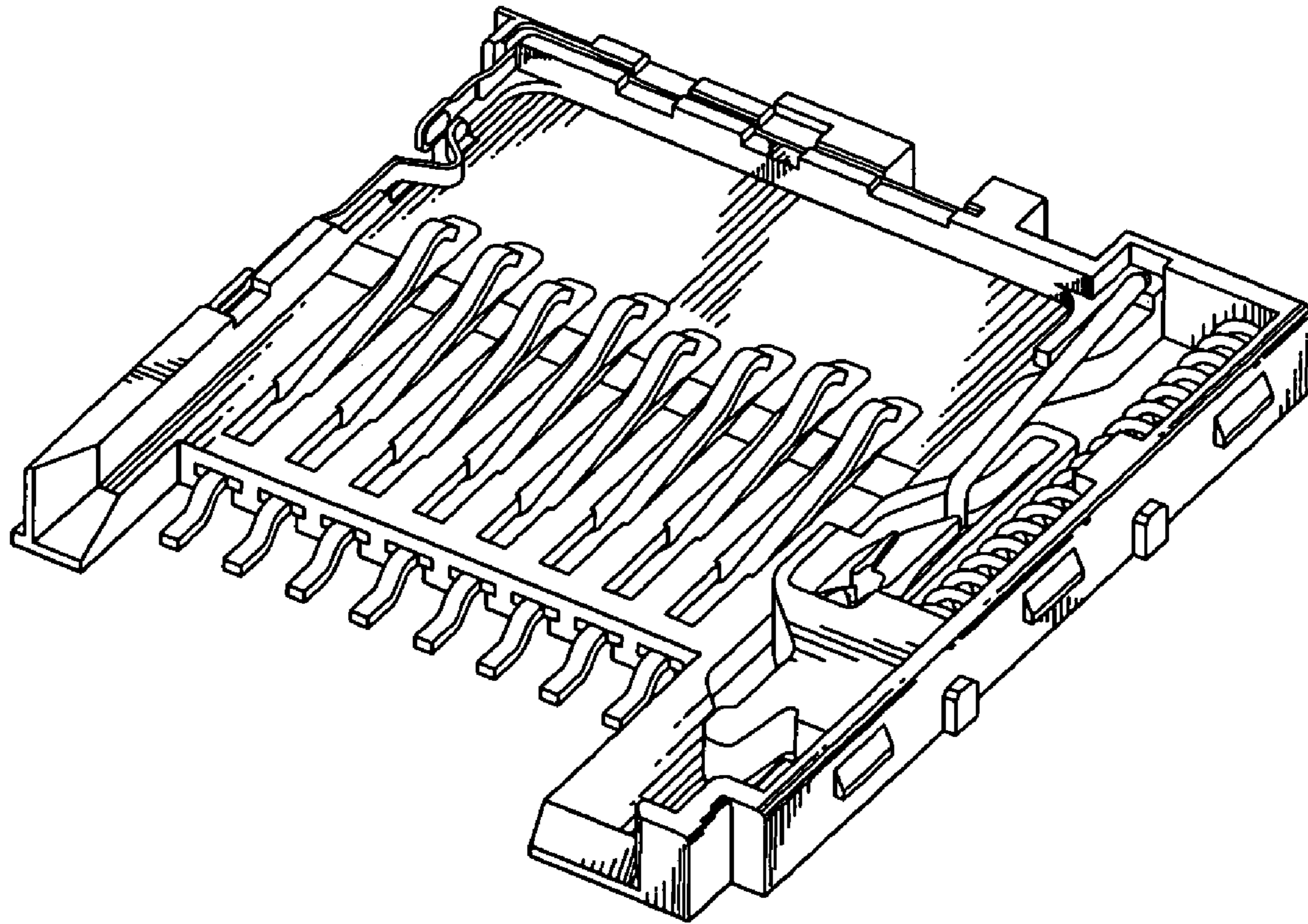


FIG. 8

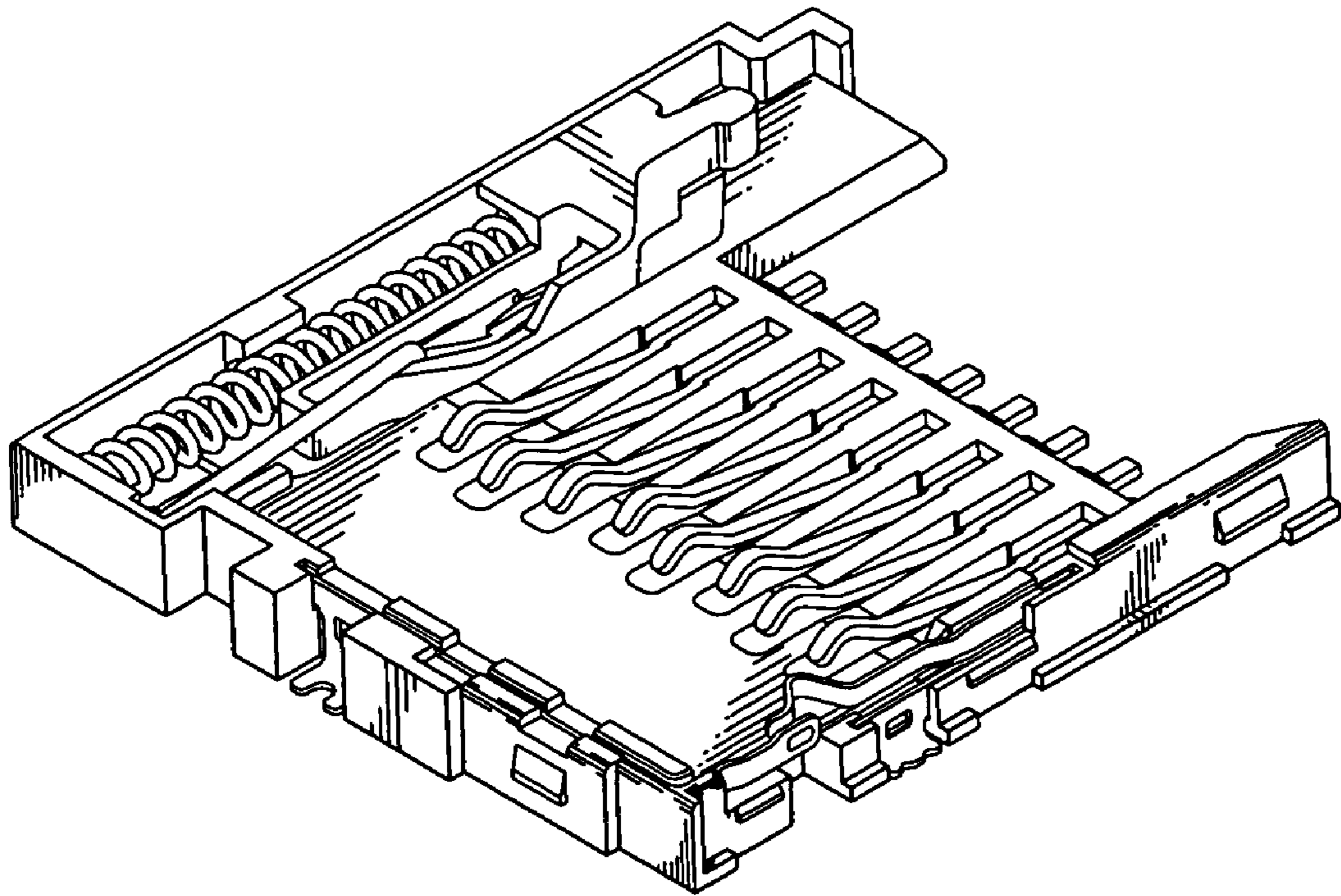


FIG. 9