



US00D614573S

(12) **United States Design Patent**
Ihde et al.

(10) **Patent No.:** **US D614,573 S**
(45) **Date of Patent:** **** Apr. 27, 2010**

(54) **VEHICLE TOW CONNECTOR**

(75) Inventors: **David Ihde**, Osage City, KS (US);
Jimmie Barnes, Jr., Emporia, KS (US)

(73) Assignee: **Hopkins Manufacturing Corporation**,
Emporia, KS (US)

(**) Term: **14 Years**

(21) Appl. No.: **29/331,108**

(22) Filed: **Jan. 20, 2009**

(51) **LOC (9) Cl.** **13-03**

(52) **U.S. Cl.** **D13/139.1; D12/162**

(58) **Field of Classification Search** D13/138.1,
D13/138.2, 139.1, 139.2, 139.3, 139.4, 139.5,
D13/139.6, 139.7, 139.8, 137.1, 137.2, 137.3,
D13/137.4, 133, 107, 108, 110, 123, 146,
D13/147, 149, 151, 154, 156; D14/240,
D14/256, 217, 433; 174/494, 67, 202, 206,
174/53, 59; 439/35, 222, 249, 919, 909,
439/171, 518, 956, 105, 53, 63, 106, 136,
439/149, 266, 300, 373, 654, 660, 907; 320/111,
320/114; 363/146; D8/353; D12/162
See application file for complete search history.

(56) **References Cited**

U.S. PATENT DOCUMENTS

D367,644 S * 3/1996 Fukao et al. D13/146
D367,645 S * 3/1996 Hashizawa et al. D13/146
D390,535 S * 2/1998 Mederios D13/154
6,749,438 B1 * 6/2004 Scheller et al. 439/35

7,118,379 B1 * 10/2006 Wang 439/35
D534,130 S * 12/2006 Park D13/156
D534,499 S * 1/2007 Park D13/156
D588,540 S * 3/2009 Barnes et al. D13/139.1
D595,238 S * 6/2009 Vigorito et al. D13/156
7,554,034 B2 * 6/2009 Smith 174/53
D597,487 S * 8/2009 Barnes et al. D13/139.1
D602,433 S * 10/2009 Katou et al. D13/120
2009/0176382 A1 * 7/2009 Chen 439/35

* cited by examiner

Primary Examiner—Jennifer Rivard

Assistant Examiner—Angela J Lee

(74) *Attorney, Agent, or Firm*—George R. McGuire; Bond,
Schoeneck & King, PLLC

(57) **CLAIM**

The ornamental design for a vehicle tow connector, as shown
and described.

DESCRIPTION

FIG. 1 is a perspective view of a vehicle towing connector;
FIG. 2 is a side elevation thereof;
FIG. 3 is a second side elevation thereof;
FIG. 4 is a front elevation view thereof;
FIG. 5 is a rear elevation view thereof;
FIG. 6 is a top plan view thereof; and,
FIG. 7 is a bottom plan view thereof.

The portions of the vehicle towing connector shown in broken
lines form no part of the claimed design.

1 Claim, 4 Drawing Sheets

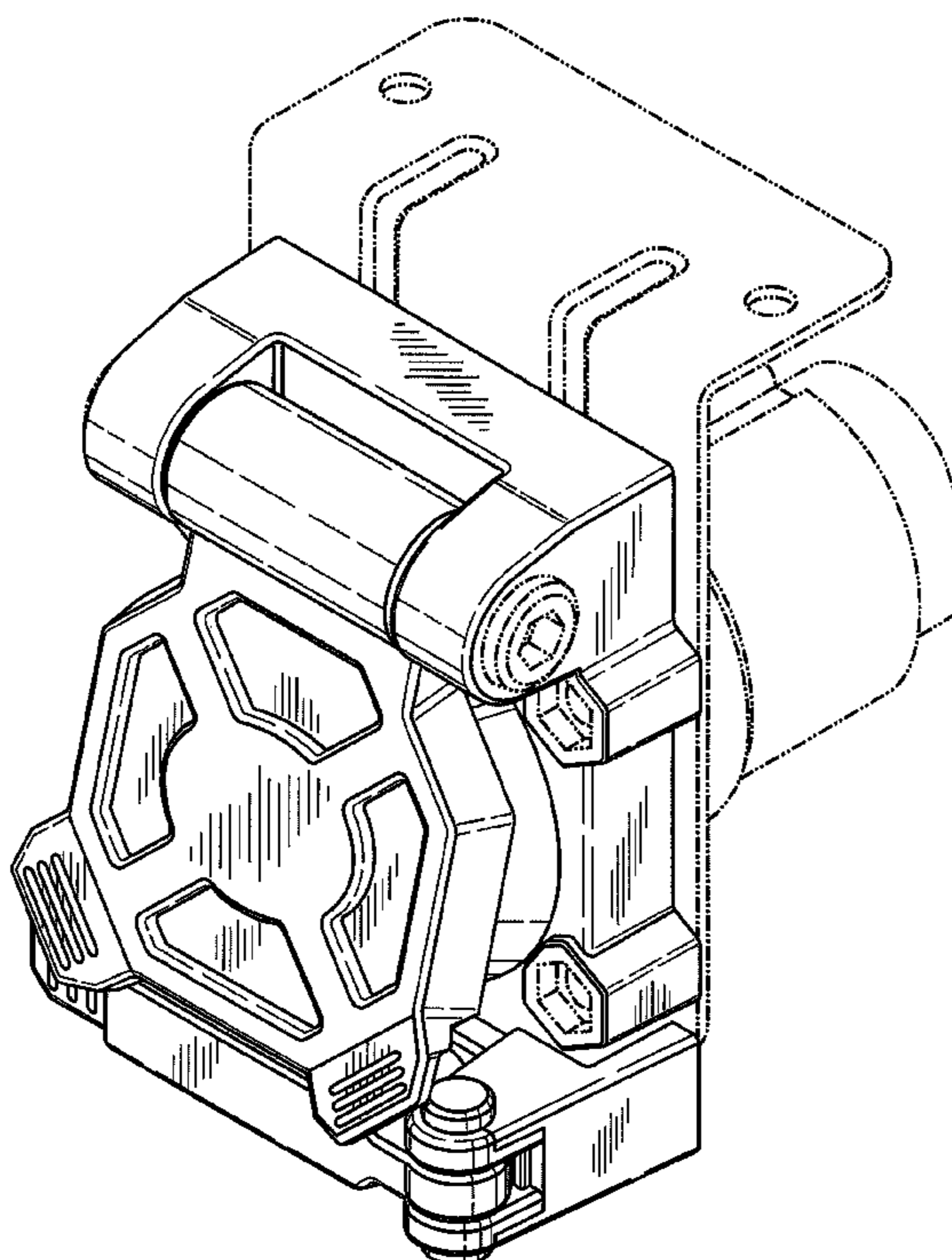


Fig. 1

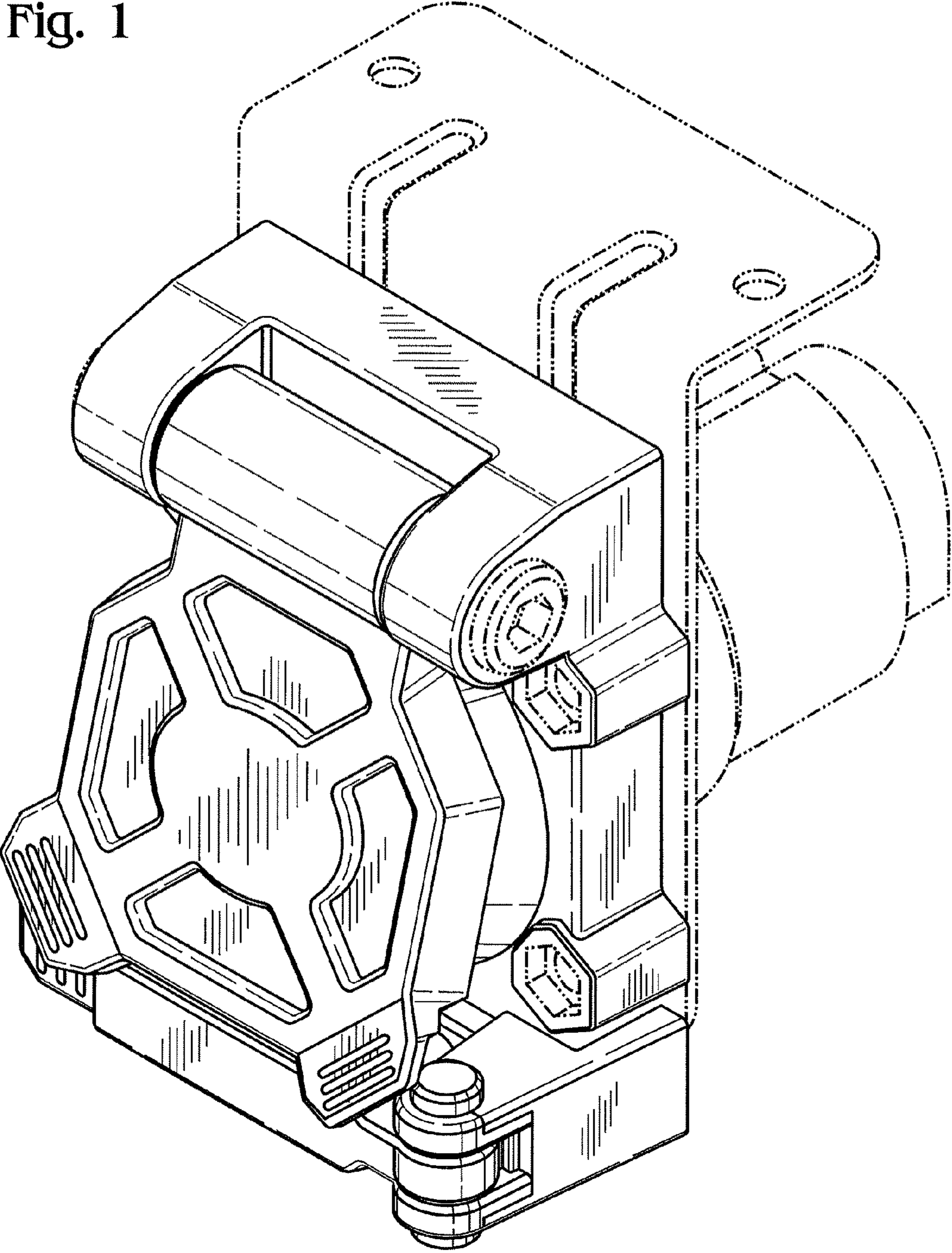


Fig. 2

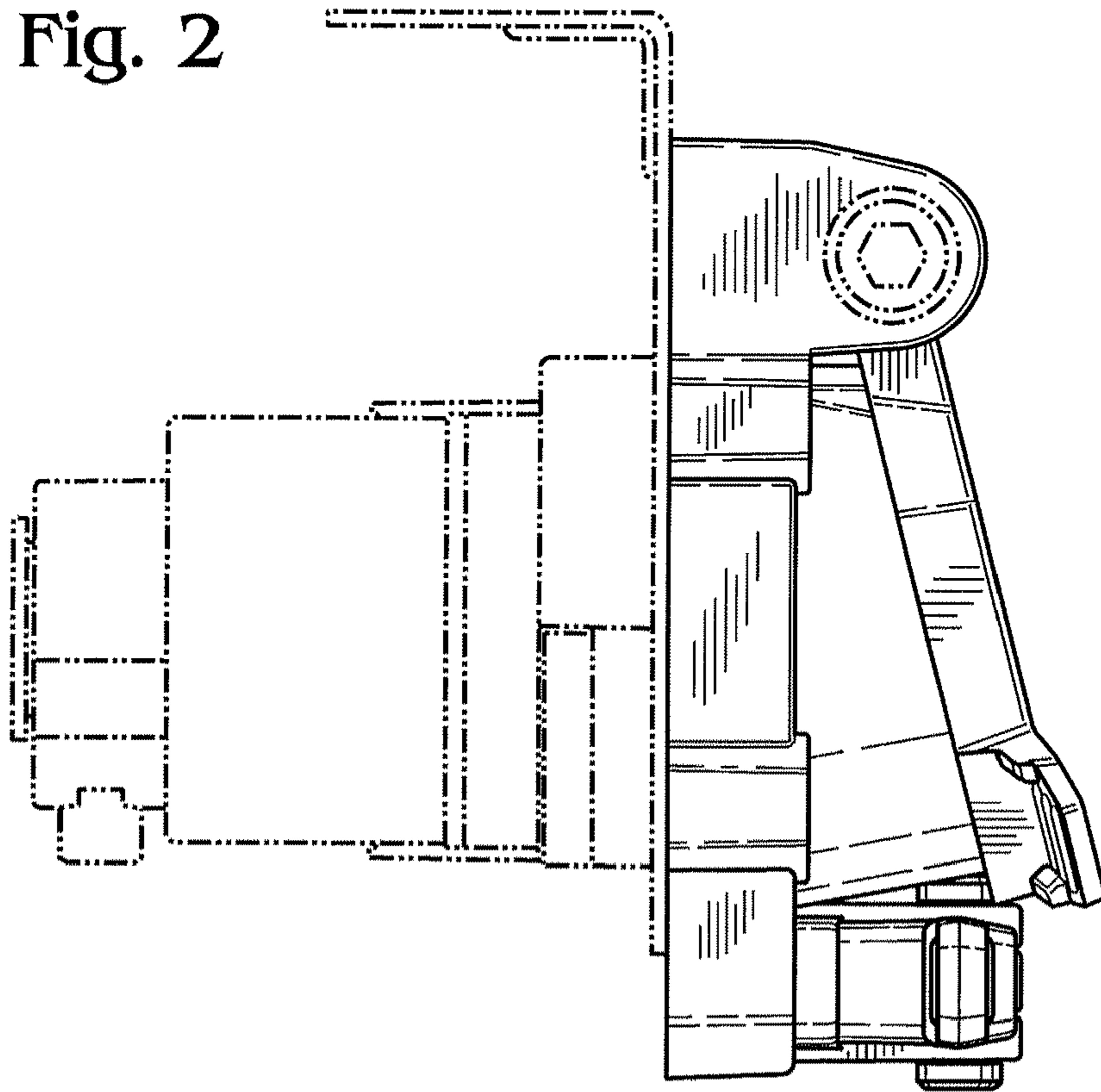


Fig. 3

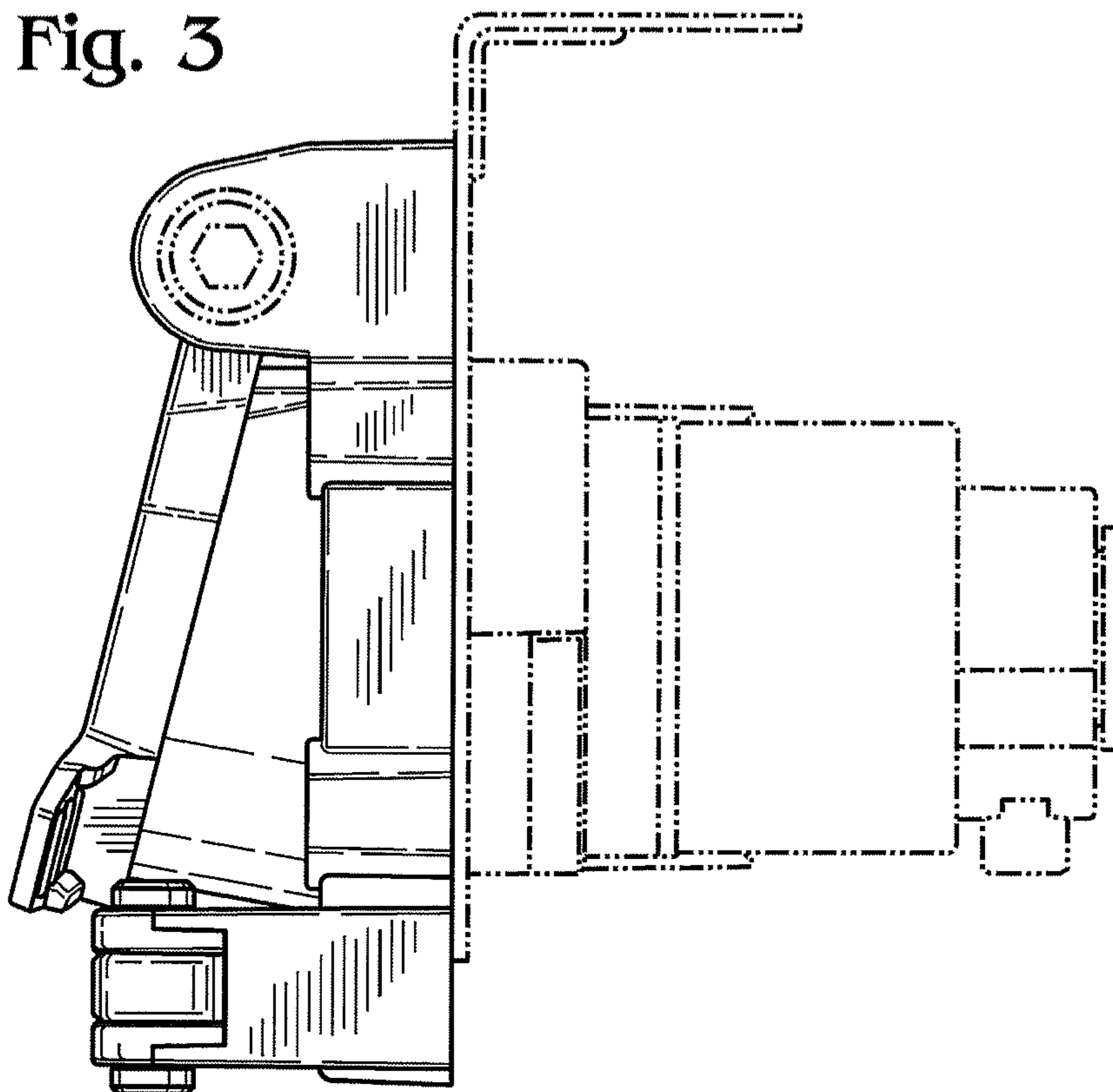


Fig. 5

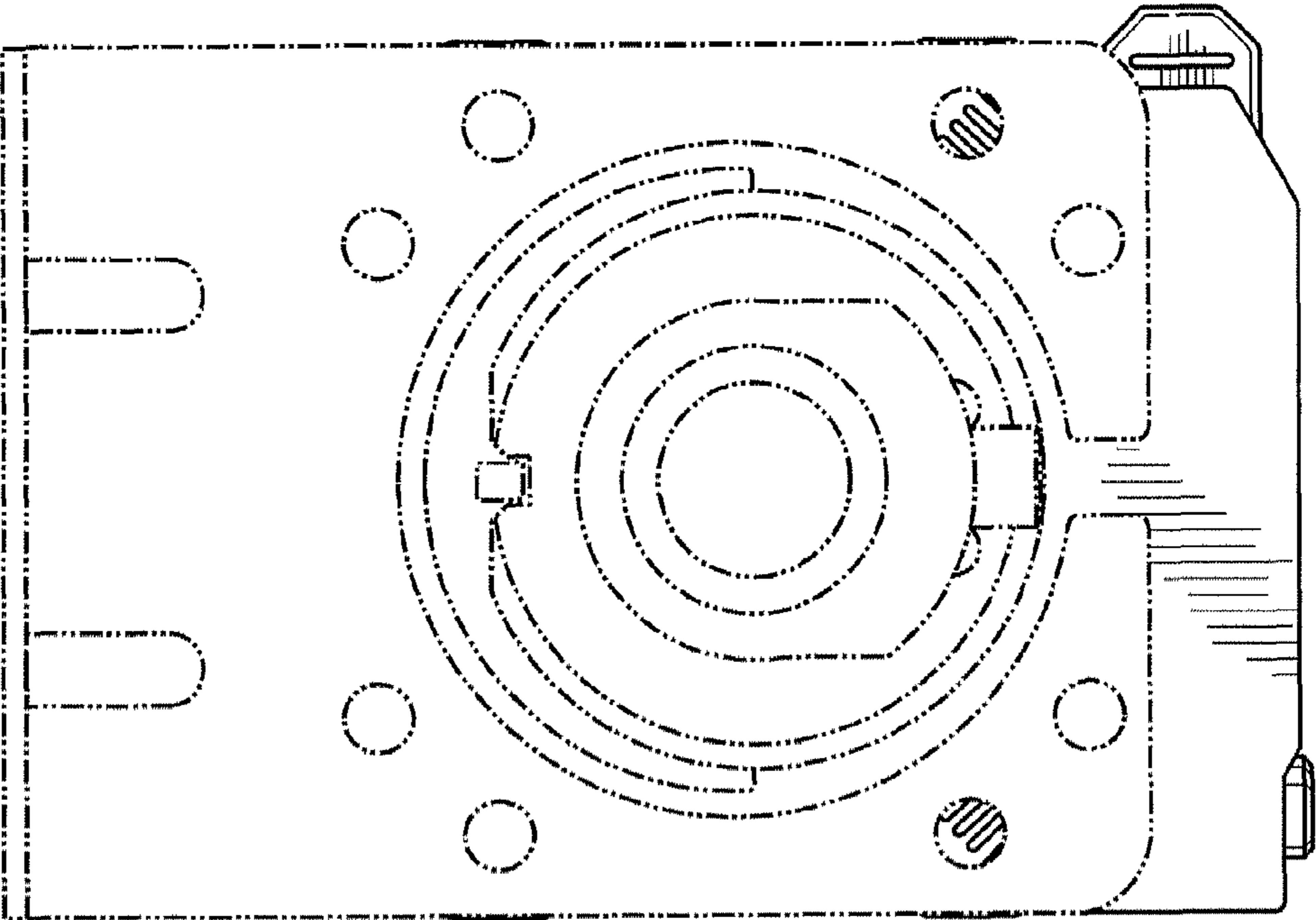


Fig. 4

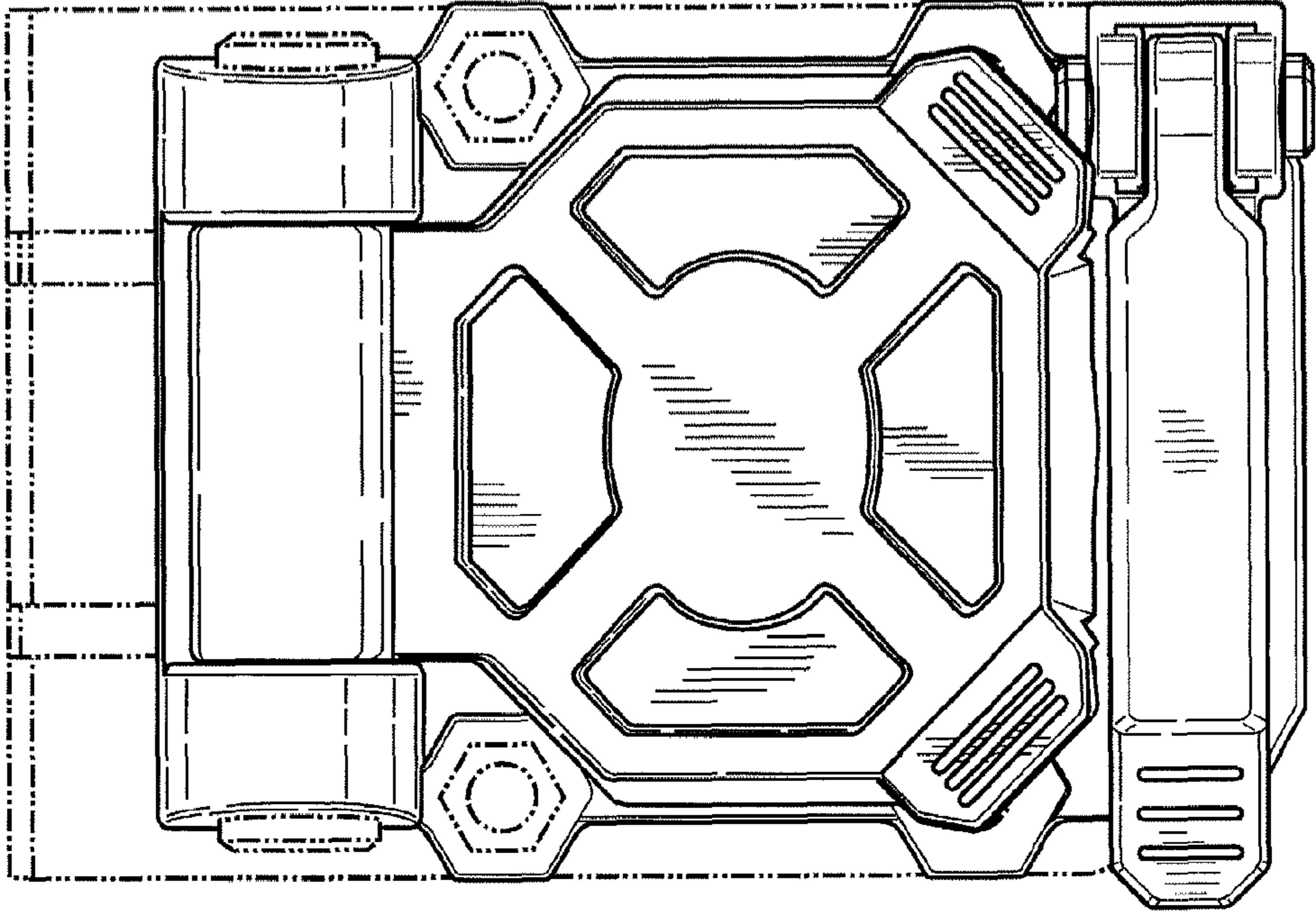


Fig. 6

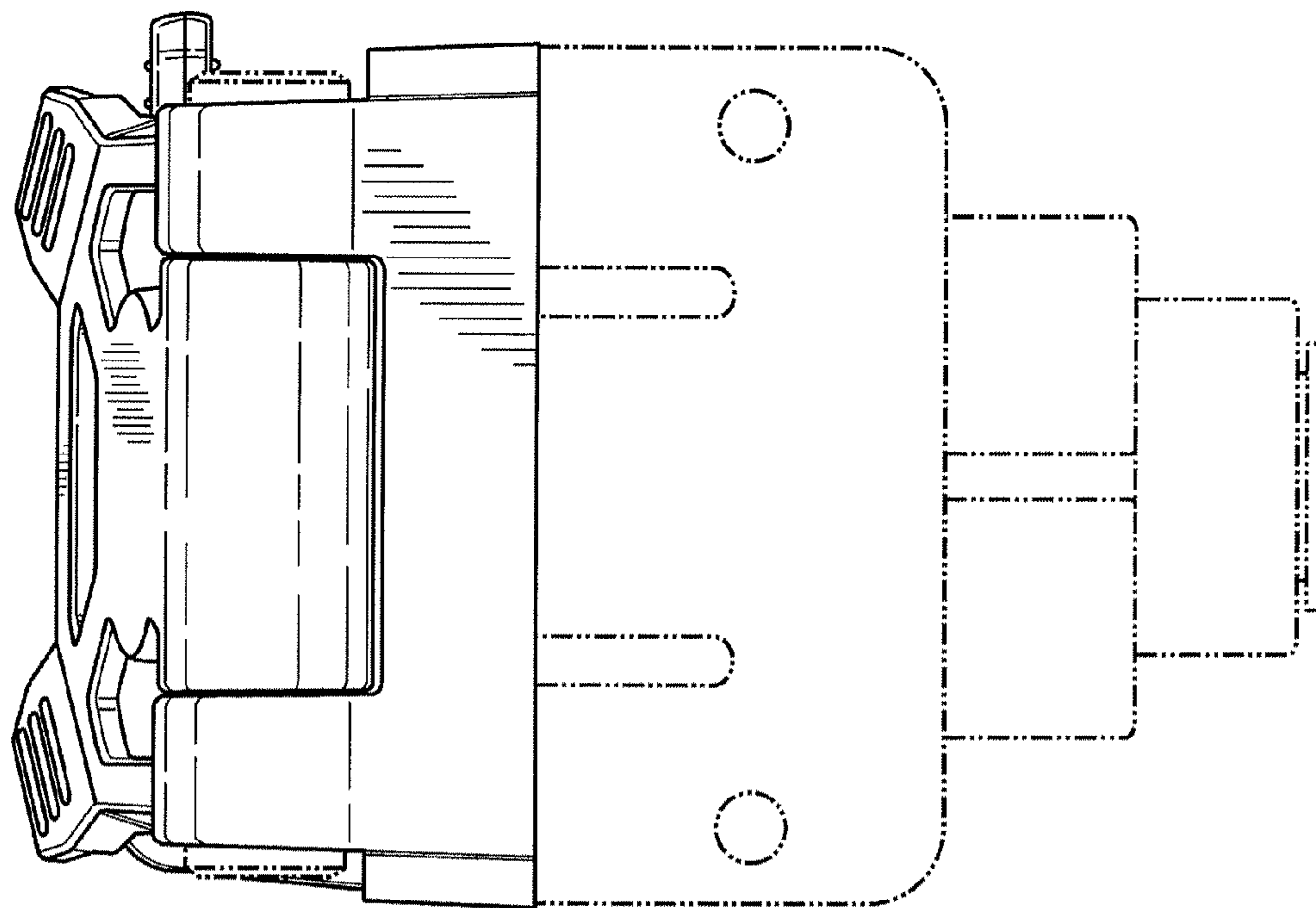


Fig. 7

