



US00D614572S

(12) **United States Design Patent**  
**Odds et al.**

(10) **Patent No.:** **US D614,572 S**

(45) **Date of Patent:** **\*\* \*Apr. 27, 2010**

(54) **MULTIPLE OUTLET RECEPTACLE**

3,358,261 A	12/1967	Gaines et al.
3,441,896 A	4/1969	Hawkins
3,443,162 A	5/1969	Nudelmont
3,478,295 A	11/1969	Grieshaber
3,909,912 A	10/1975	Kiesling
4,240,686 A	12/1980	Kurbikoff

(75) Inventors: **Dennis A. Odds**, Eaton's Neck, NY (US); **Steve Zacharevitz**, Northport, NY (US); **Carlos Ramirez**, San Diego, CA (US); **Kenneth J. Brown**, Chula Vista, CA (US)

(73) Assignee: **Leviton Manufacturing Co., Inc.**, Little Neck, NY (US)

(Continued)

(\*\*) Term: **14 Years**

FOREIGN PATENT DOCUMENTS

(21) Appl. No.: **29/280,953**

CA	2239573	12/1998
----	---------	---------

(22) Filed: **Jun. 11, 2007**

**Related U.S. Application Data**

(60) Continuation of application No. 11/558,831, filed on Nov. 10, 2006, which is a continuation-in-part of application No. 11/112,899, filed on Apr. 22, 2005, which is a division of application No. 10/245,159, filed on Sep. 17, 2002, now Pat. No. 6,923,663.

*Primary Examiner*—Jennifer Rivard

*Assistant Examiner*—Angela J Lee

(74) *Attorney, Agent, or Firm*—Carter, DeLuca, Farrell & Schmidt, LLP

(51) **LOC (9) Cl.** ..... **13-03**

(52) **U.S. Cl.** ..... **D13/139.1**

(58) **Field of Classification Search** ..... D13/139.1, D13/139.2, 139.3, 139.4, 139.5, 139.6, 139.7, D13/139.8, 138.1, 138.2, 123, 133, 137.1, D13/137.2, 184, 137.3, 137.4, 124, 160, 162, D13/164, 178, 154, 156, 107, 110, 145, 177; D14/433, 256; D8/350, 353; 174/53, 55, 174/56, 59, 66, 494, 153 G, 152 G, 154, 167, 174/168, 650, 656; 439/101, 105, 43, 53, 439/374, 894, 46, 55, 62, 92, 93, 95, 102, 439/106, 107, 108, 135, 149, 222, 266, 285, 439/291, 300, 344, 373, 535, 620.21, 638, 439/660, 907, 650, 651, 652, 653, 654; 361/42  
See application file for complete search history.

(57) **CLAIM**

The ornamental design for a multiple outlet receptacle, as shown and described.

**DESCRIPTION**

The present design is embodied in an electrical receptacle, intended for use in residential or commercial wiring applications, comprising a single or multiple gang unit having three or more outlets.

FIG. 1 is a perspective view of a multiple outlet receptacle showing our new design, in which a single unit has three outlets;

FIG. 2 is a top plan view thereof;

FIG. 3 is a left side elevational view thereof; and,

FIG. 4 is a front elevational view thereof.

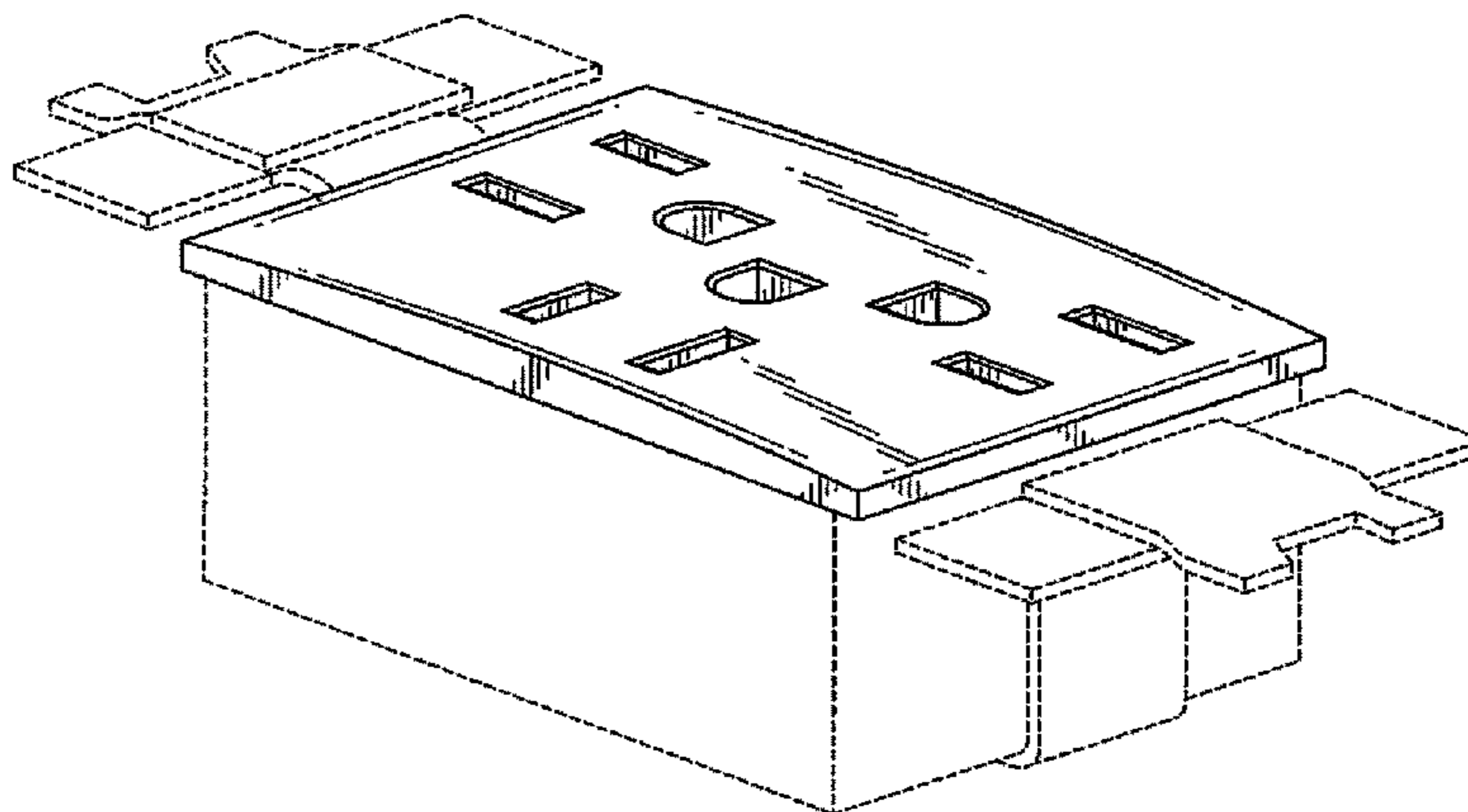
The portions of the multiple outlet receptacle shown in broken lines form no part of the claimed design.

(56) **References Cited**

U.S. PATENT DOCUMENTS

3,327,277 A 6/1967 Ramsing

**1 Claim, 3 Drawing Sheets**



# US D614,572 S

Page 2

## U.S. PATENT DOCUMENTS

D269,341 S *	6/1983	Doyle et al. ....	D13/139.3	5,899,761 A	5/1999	Crane et al.	
4,545,631 A *	10/1985	Zampini .....	439/92	5,906,517 A	5/1999	Crane et al.	
4,583,799 A	4/1986	Wiley		D413,862 S *	9/1999	Huang et al. ....	D13/139.3
D284,758 S	7/1986	Maloney		6,179,665 B1	1/2001	Rossmann et al.	
4,705,342 A	11/1987	Schwartz		6,200,159 B1	3/2001	Chou	
4,793,069 A	12/1988	McDowell		6,259,023 B1	7/2001	Reiker	
D305,641 S *	1/1990	DeLuca .....	D13/137.3	D446,503 S	8/2001	Lee	
4,930,047 A	5/1990	Peterson		6,296,522 B1	10/2001	Ho	
4,978,318 A	12/1990	Wiley et al.		6,315,617 B1	11/2001	Al-Sabah	
4,993,970 A	2/1991	Littrell		6,362,516 B1	3/2002	Waters	
5,073,681 A	12/1991	Hubben et al.		6,443,746 B1	9/2002	Yu	
5,114,365 A *	5/1992	Thompson et al. ....	439/540.1	6,514,093 B1	2/2003	Yu	
5,117,122 A *	5/1992	Hogarth et al. ....	307/140	6,568,946 B1	5/2003	Chou	
5,269,695 A	12/1993	Opel		6,593,530 B2 *	7/2003	Hunt .....	174/66
5,383,799 A	1/1995	Fladung		6,811,444 B2	11/2004	Geyer	
5,460,542 A	10/1995	Castellani et al.		6,923,663 B2	8/2005	Odds et al.	
5,516,298 A	5/1996	Smith		2003/0137816 A1 *	7/2003	Johnson et al. ....	361/797
5,601,455 A	2/1997	Bagga		2004/0211591 A1	10/2004	Kumakura et al.	
D379,796 S	6/1997	Bagga		2005/0152306 A1 *	7/2005	Bonnassieux et al. ....	370/328
D390,826 S *	2/1998	Bates .....	D13/139.1	2005/0263313 A1 *	12/2005	Odds et al. ....	174/53
D402,186 S	12/1998	Pearse		2006/0037774 A1 *	2/2006	Dinh .....	174/66
				2007/0149061 A1	6/2007	Odds et al.	

\* cited by examiner

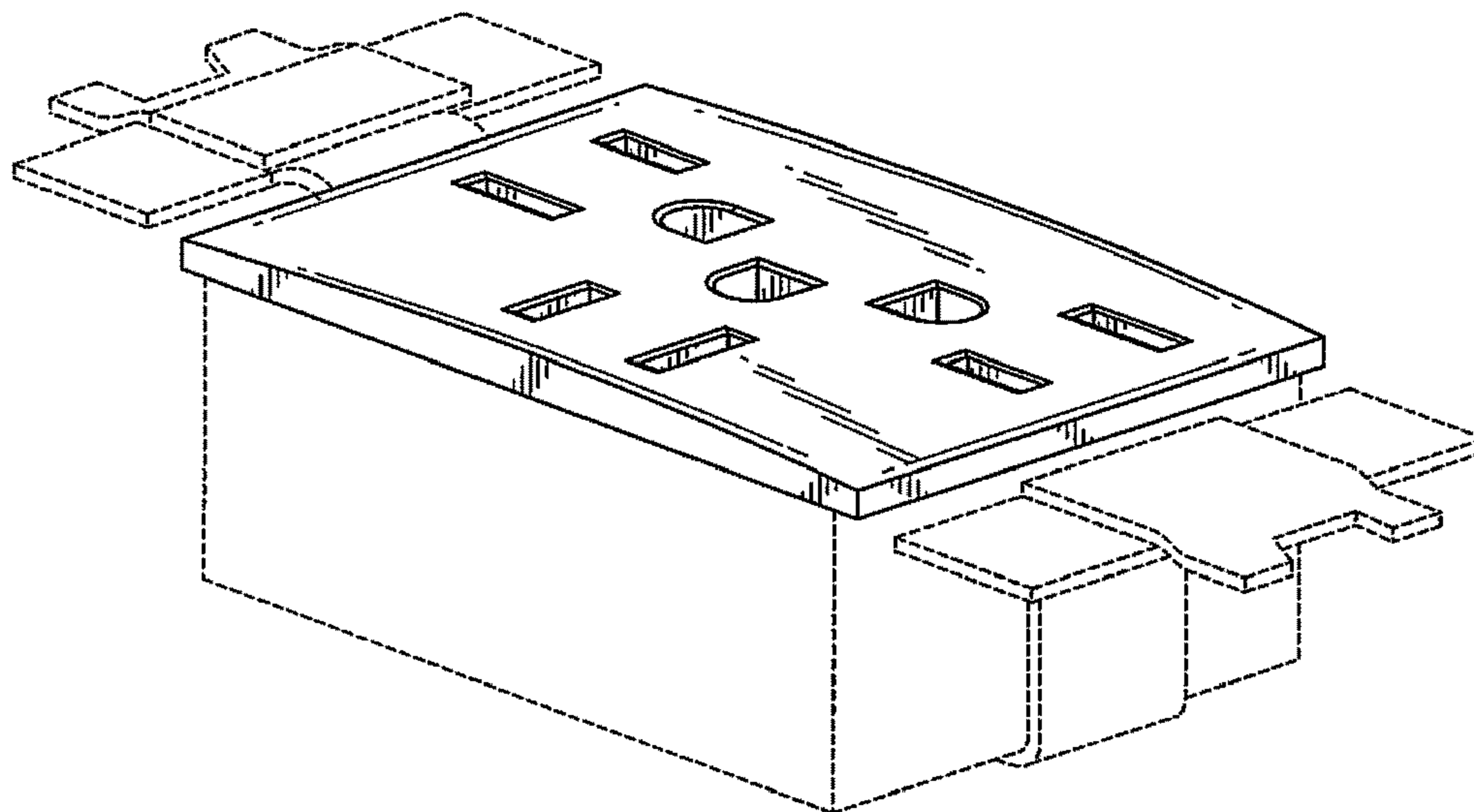
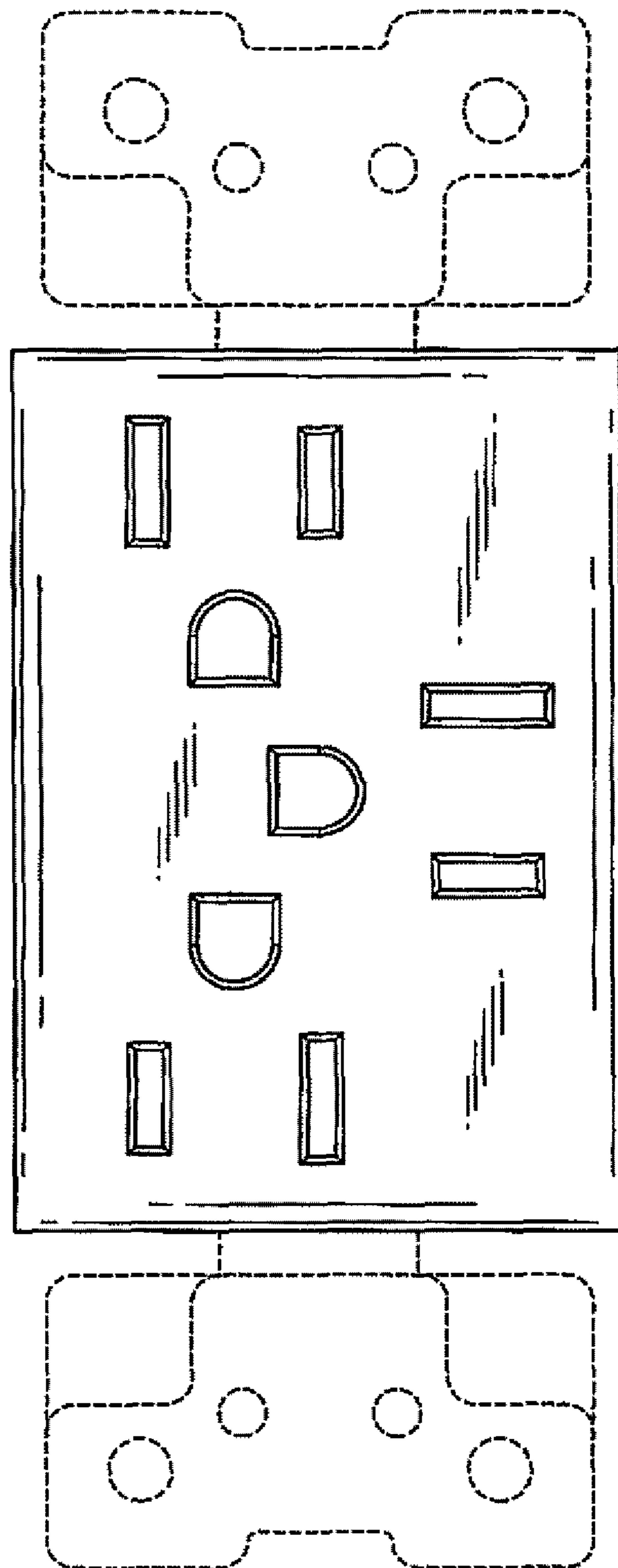
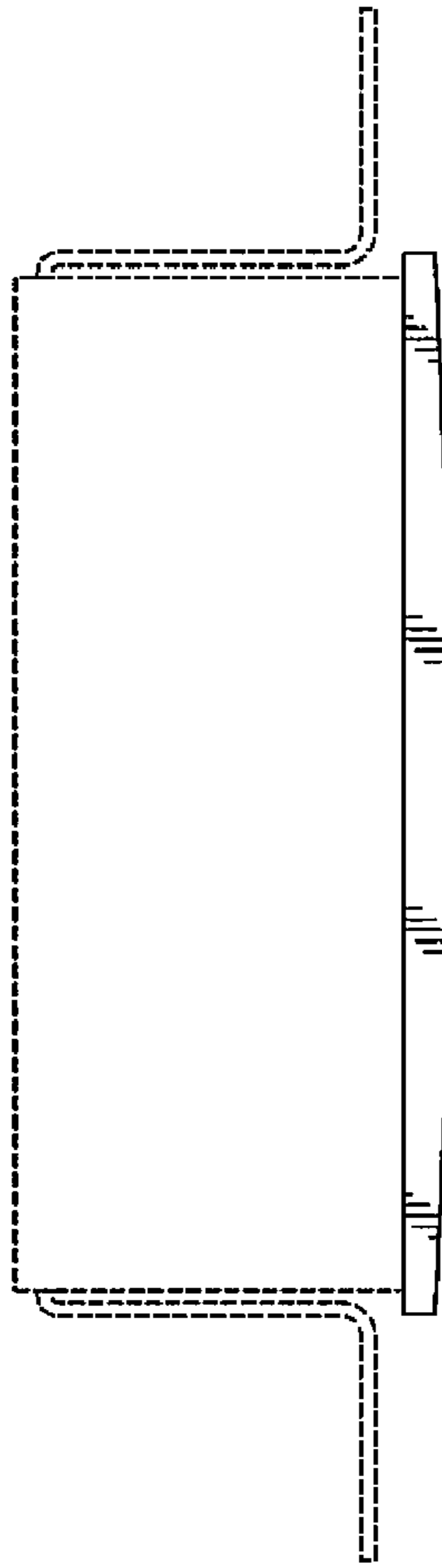


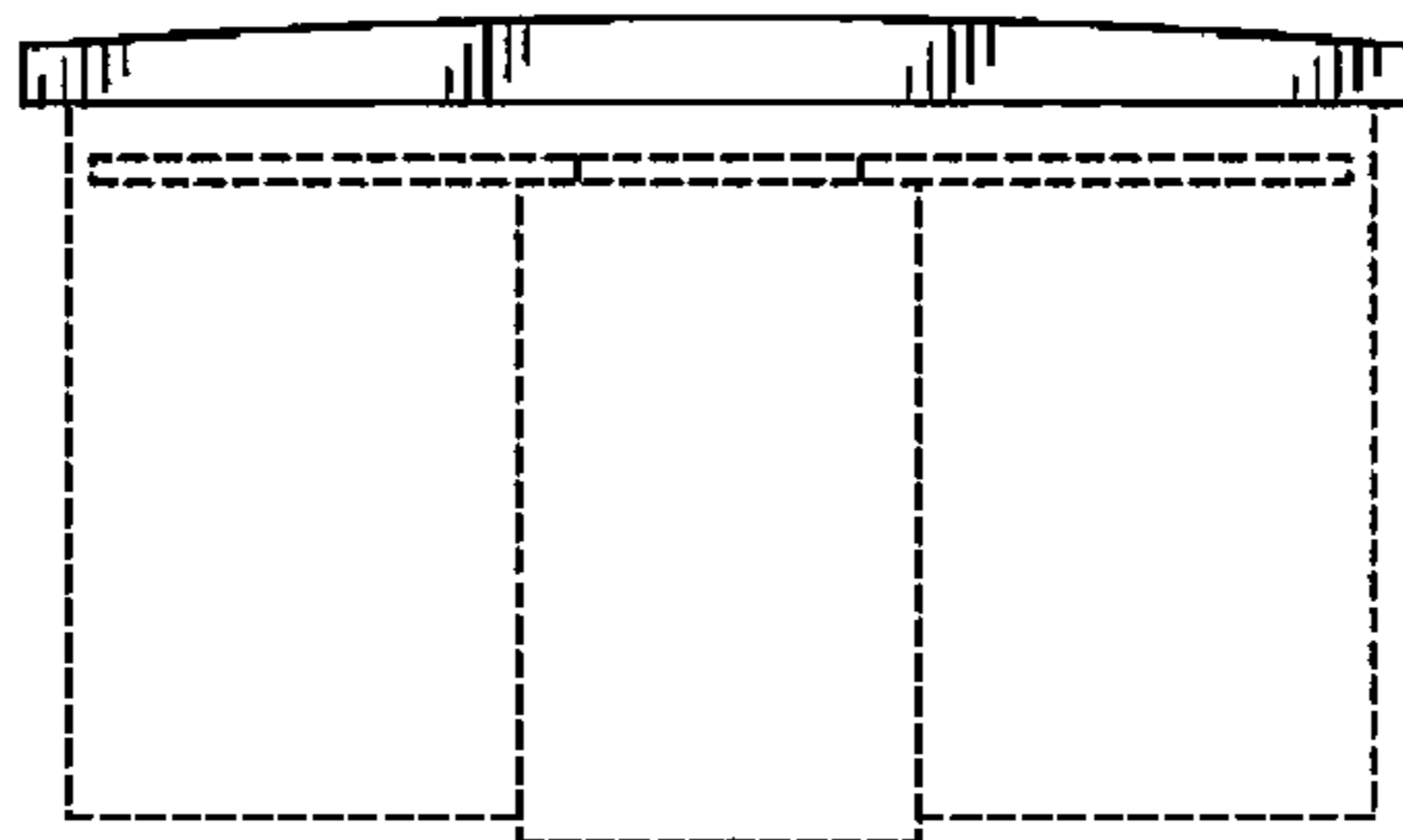
FIG. 1



**FIG. 2**



**FIG. 3**



**FIG. 4**