



US00D614569S

(12) **United States Design Patent**  
**Yang**

(10) **Patent No.:** **US D614,569 S**  
(45) **Date of Patent:** **\*\* Apr. 27, 2010**

(54) **BATTERY CONNECTOR**

(75) Inventor: **Chih-Lin Yang**, Taipei (TW)

(73) Assignee: **Cheng Uei Precision Industry Co., Ltd.**, Taipei Hsien (TW)

(\*\*) Term: **14 Years**

(21) Appl. No.: **29/346,394**

(22) Filed: **Oct. 30, 2009**

(51) **LOC (9) Cl.** ..... **13-03**

(52) **U.S. Cl.** ..... **D13/120; D13/147**

(58) **Field of Classification Search** ..... D13/103–106,  
D13/118–121, 133, 154, 146–147, 184, 199;  
439/83, 108, 166, 500, 577, 630, 660, 680,  
439/700, 773.1, 862; 429/96–100, 163, 186  
See application file for complete search history.

(56) **References Cited**

**U.S. PATENT DOCUMENTS**

D245,185 S *	7/1977	Obuch .....	D13/147
D249,503 S *	9/1978	Spencer et al. ....	D13/147
D249,504 S *	9/1978	Spencer et al. ....	D13/147
5,551,883 A *	9/1996	Davis .....	439/65
5,674,078 A *	10/1997	Davis et al. ....	439/79
D419,522 S *	1/2000	Kamagai .....	D13/120
D433,383 S *	11/2000	Lee .....	D13/147
6,190,201 B1 *	2/2001	Shih et al. ....	439/567

D450,301 S *	11/2001	Shimizu et al. ....	D13/147
D472,879 S *	4/2003	Ouchi et al. ....	D13/147
D506,182 S *	6/2005	Tashiro .....	D13/147
D529,443 S *	10/2006	Chien .....	D13/147
D561,099 S *	2/2008	Kobayashi .....	D13/120
D561,100 S *	2/2008	Hsu et al. ....	D13/120
D584,231 S *	1/2009	Wu .....	D13/147
D596,130 S *	7/2009	Chen et al. ....	D13/147
D596,575 S *	7/2009	Chen et al. ....	D13/147

\* cited by examiner

*Primary Examiner*—Rosemary K Tarcza

(74) *Attorney, Agent, or Firm*—WPAT, P.C.; Anthony King

(57) **CLAIM**

The ornamental design for battery connector, as shown and described.

**DESCRIPTION**

FIG. 1 is a perspective view of battery connector showing my new design;

FIG. 2 is a front elevational view thereof;

FIG. 3 is a rear elevational view thereof;

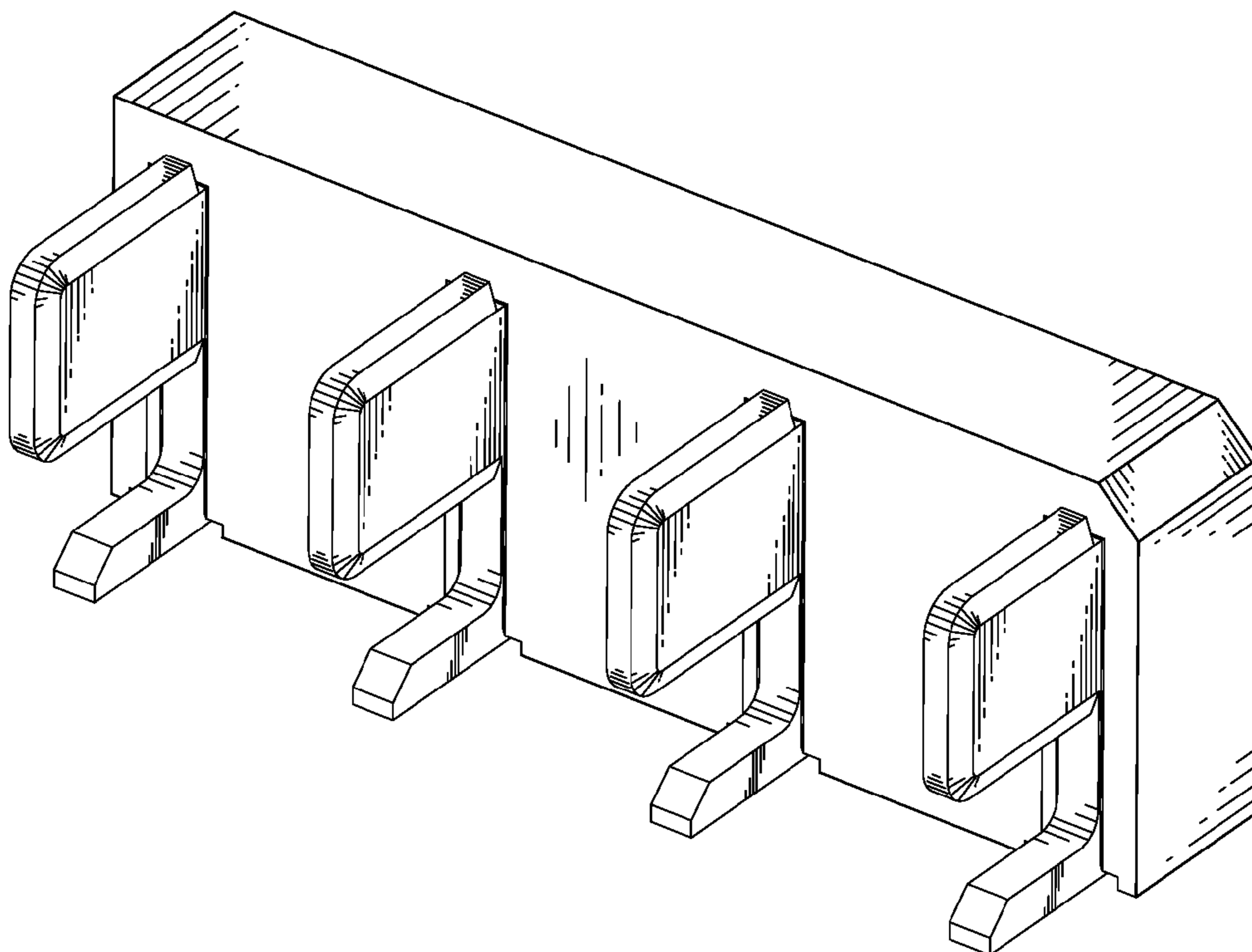
FIG. 4 is a left side elevational view thereof;

FIG. 5 is a right side elevational view thereof;

FIG. 6 is a top plan view thereof; and,

FIG. 7 is a bottom plan view thereof.

**1 Claim, 7 Drawing Sheets**



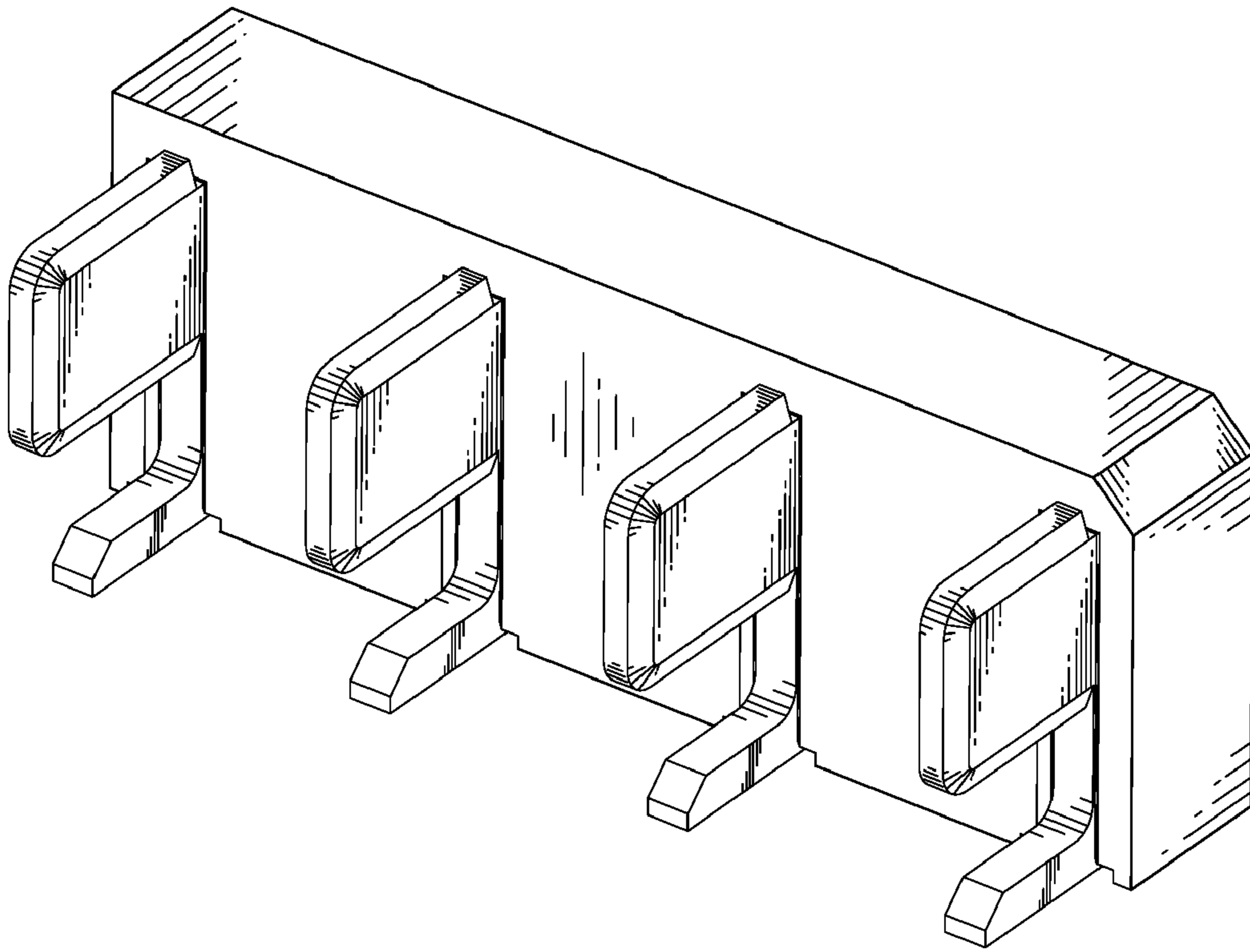


FIG. 1

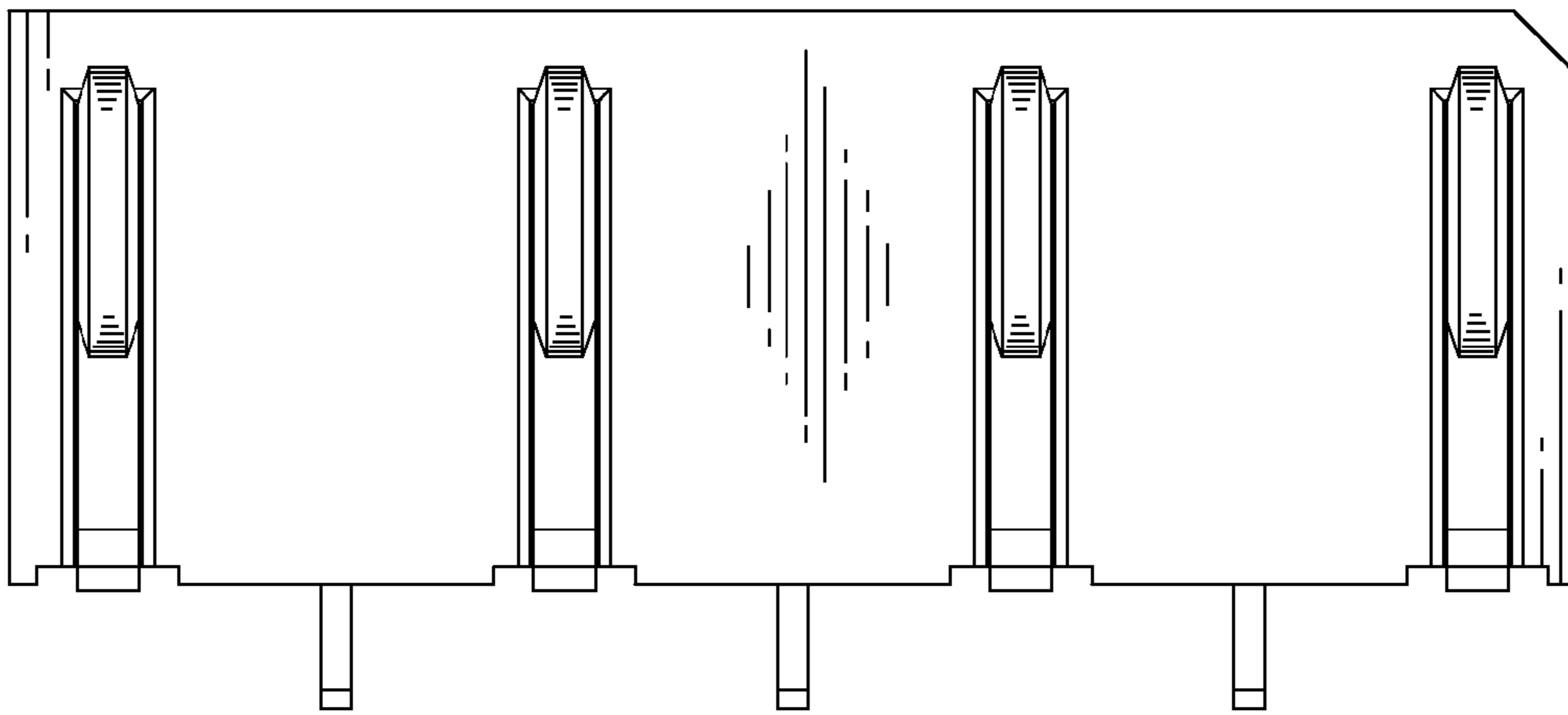


FIG. 2

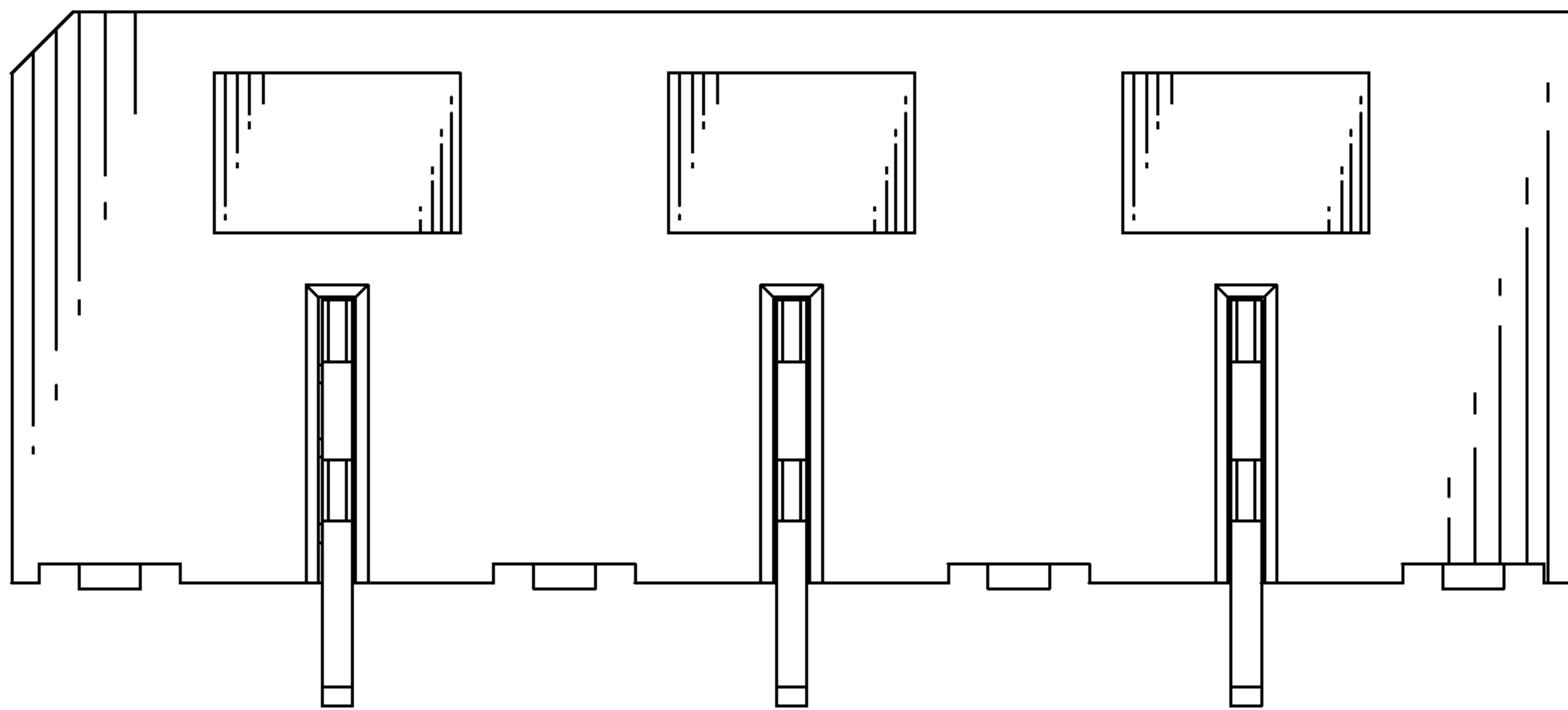


FIG. 3

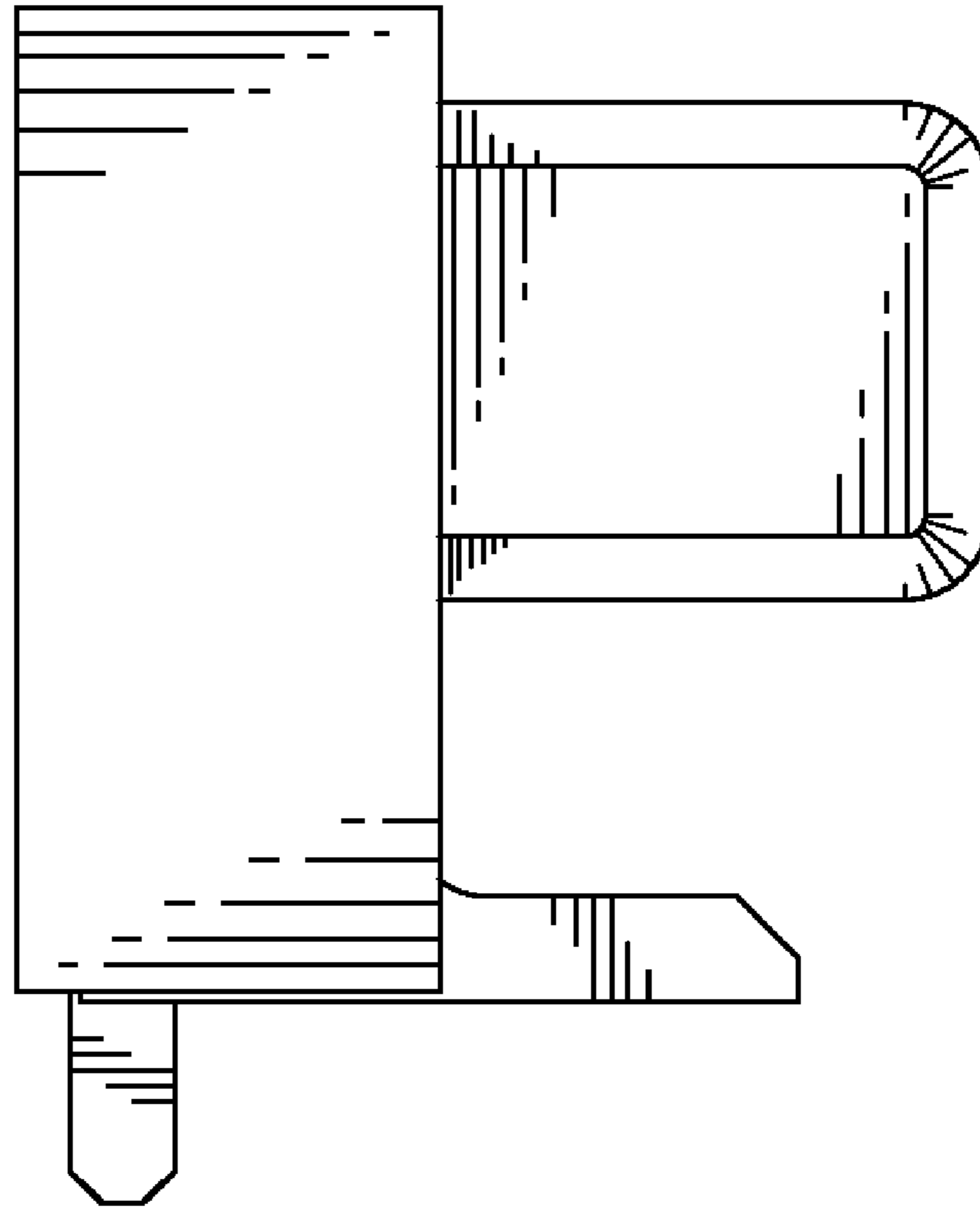


FIG. 4

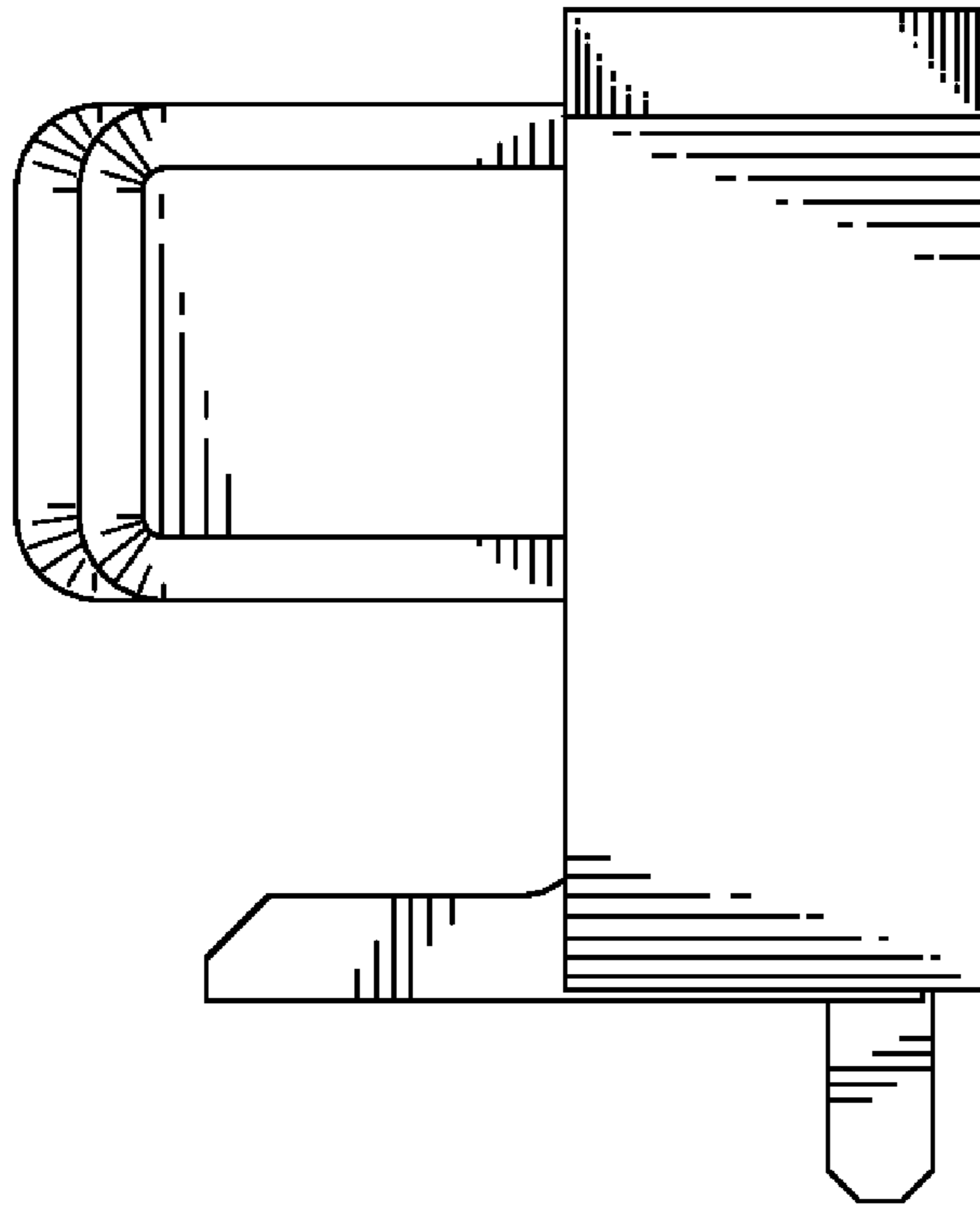


FIG. 5

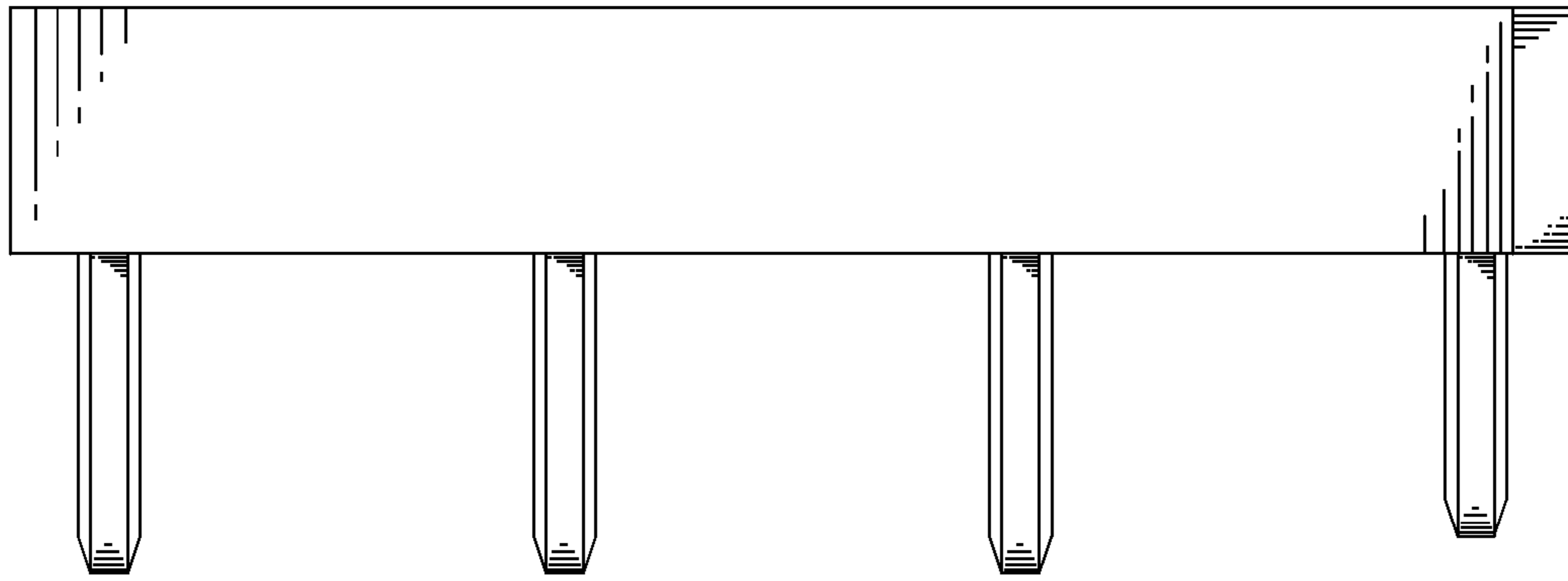


FIG. 6

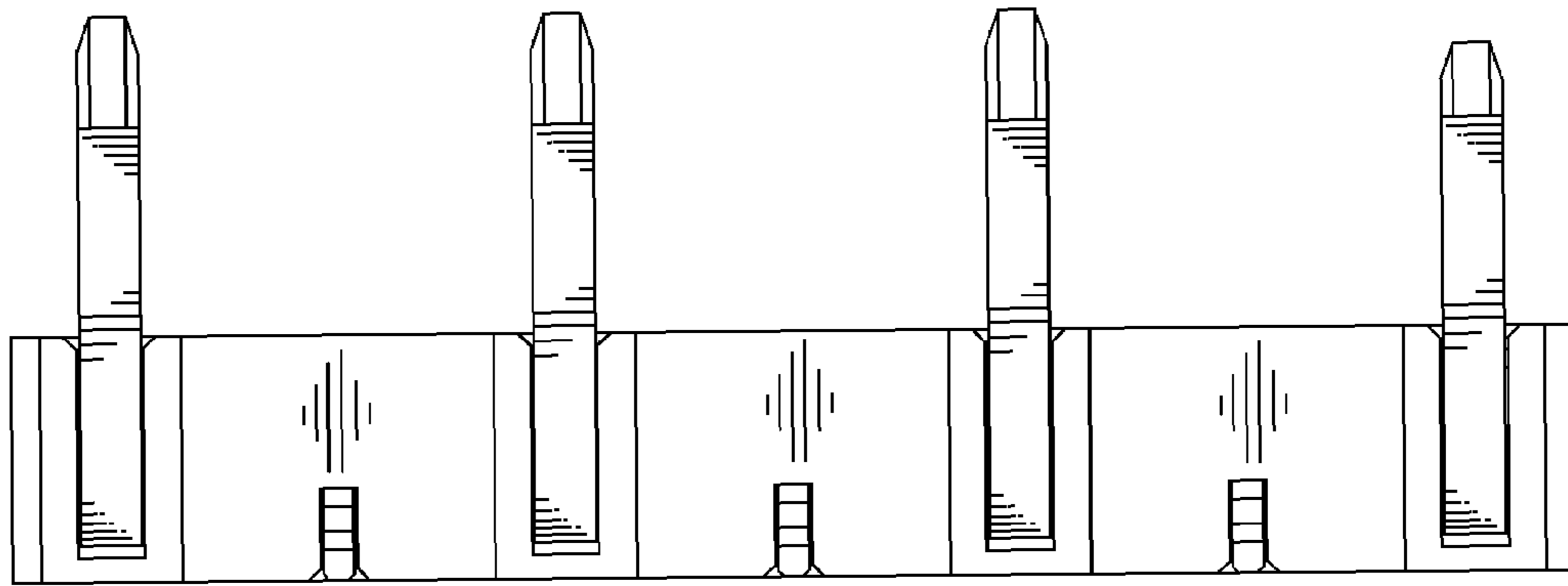


FIG. 7