



US00D614567S

(12) **United States Design Patent**
Yonetsu

(10) **Patent No.:** **US D614,567 S**
(45) **Date of Patent:** **** *Apr. 27, 2010**

(54) **TIRE**

D605,109 S * 12/2009 Dixon et al. D12/600

(75) Inventor: **Isao Yonetsu**, Osaka (JP)

(73) Assignee: **Toyo Tire & Rubber Co., Ltd.**, Osaka (JP)

(**) Term: **14 Years**

(21) Appl. No.: **29/337,754**

(22) Filed: **May 28, 2009**

(30) **Foreign Application Priority Data**

Apr. 15, 2009 (JP) 2009-008614

(51) **LOC (9) Cl.** **12-15**

(52) **U.S. Cl.** **D12/600**

(58) **Field of Classification Search** D12/579-580,
D12/585-603; 152/209.1, 209.8-209.19,
152/209.25-209.28

See application file for complete search history.

(56) **References Cited**

U.S. PATENT DOCUMENTS

D367,450 S	*	2/1996	Kolowski et al.	D12/600
D387,719 S	*	12/1997	Brown et al.	D12/600
D416,217 S	*	11/1999	Guspodin et al.	D12/600
D447,446 S	*	9/2001	Allison et al.	D12/600
D472,206 S	*	3/2003	Endo et al.	D12/600
D488,432 S	*	4/2004	Aull et al.	D12/600
D529,435 S	*	10/2006	Dumigan et al.	D12/600
D596,112 S	*	7/2009	Kawakami et al.	D12/601
D596,113 S	*	7/2009	Kawakami et al.	D12/601

FOREIGN PATENT DOCUMENTS

JP	1309149	9/2007
JP	1309423	9/2007
JP	1309424	9/2007

* cited by examiner

Primary Examiner—Stacia Cadmus

(74) *Attorney, Agent, or Firm*—Sterne Kessler Goldstein & Fox PLLC

(57) **CLAIM**

The ornamental design for a tire, as shown and described.

DESCRIPTION

FIG. 1 is a perspective view of a tire showing my new design; FIG. 2 is a front view thereof, for which the rear view is the same;

FIG. 3 is a top plan view thereof, for which the bottom plan view is the same;

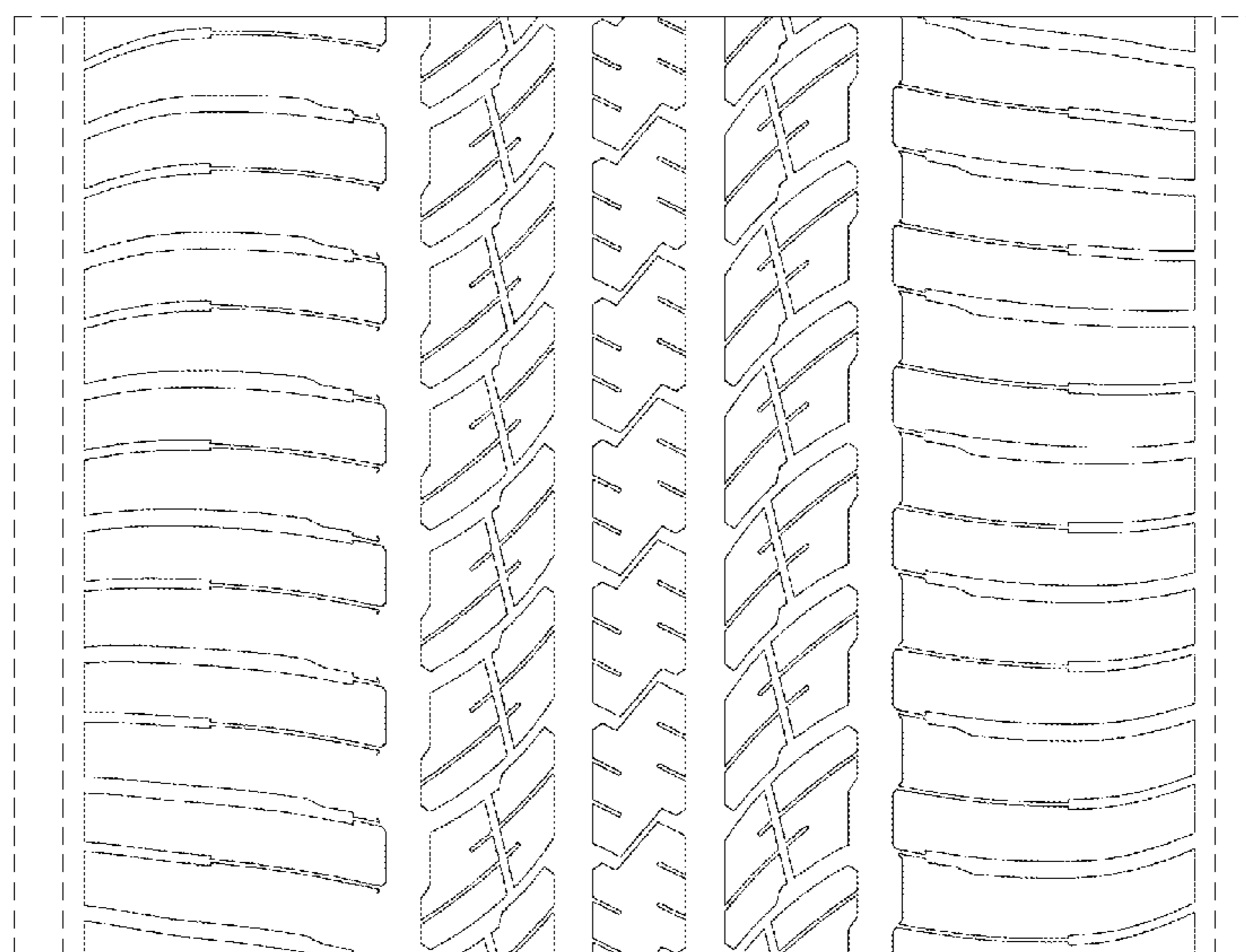
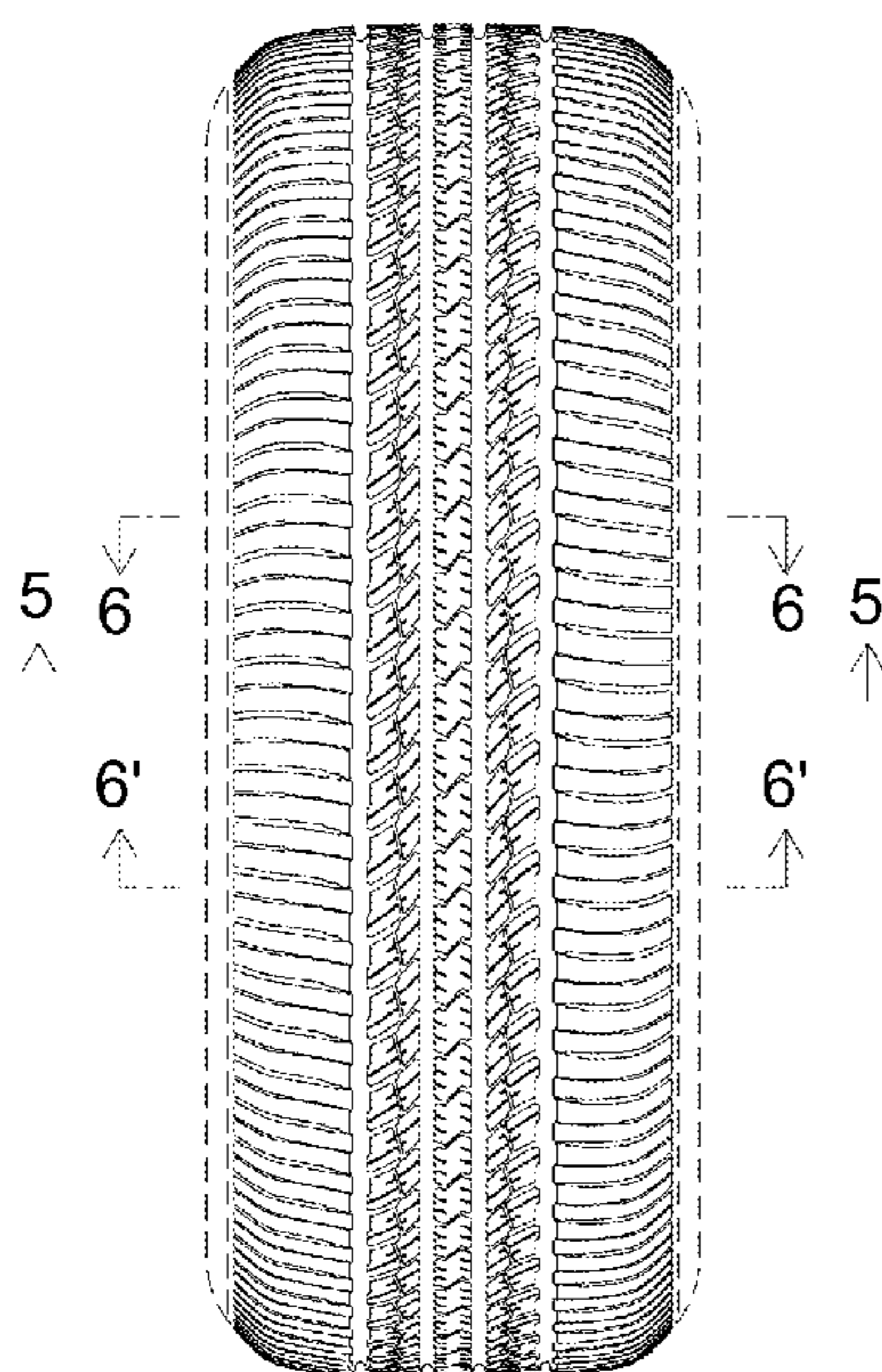
FIG. 4 is a right side view thereof, for which the left side view is the same;

FIG. 5 is a cross-sectional view taken along line 5—5 in FIG. 2 and line 5'—5' in FIG. 4; and,

FIG. 6 is an enlarged sectional view taken along line 6—6 and line 6'—6' in FIG. 2.

In the drawings, the broken lines defining the sidewall, inner bead and the peripheral boundary between the claimed tire tread and the unclaimed sidewall depict environmental subject matter that forms no part of the claimed design.

1 Claim, 6 Drawing Sheets



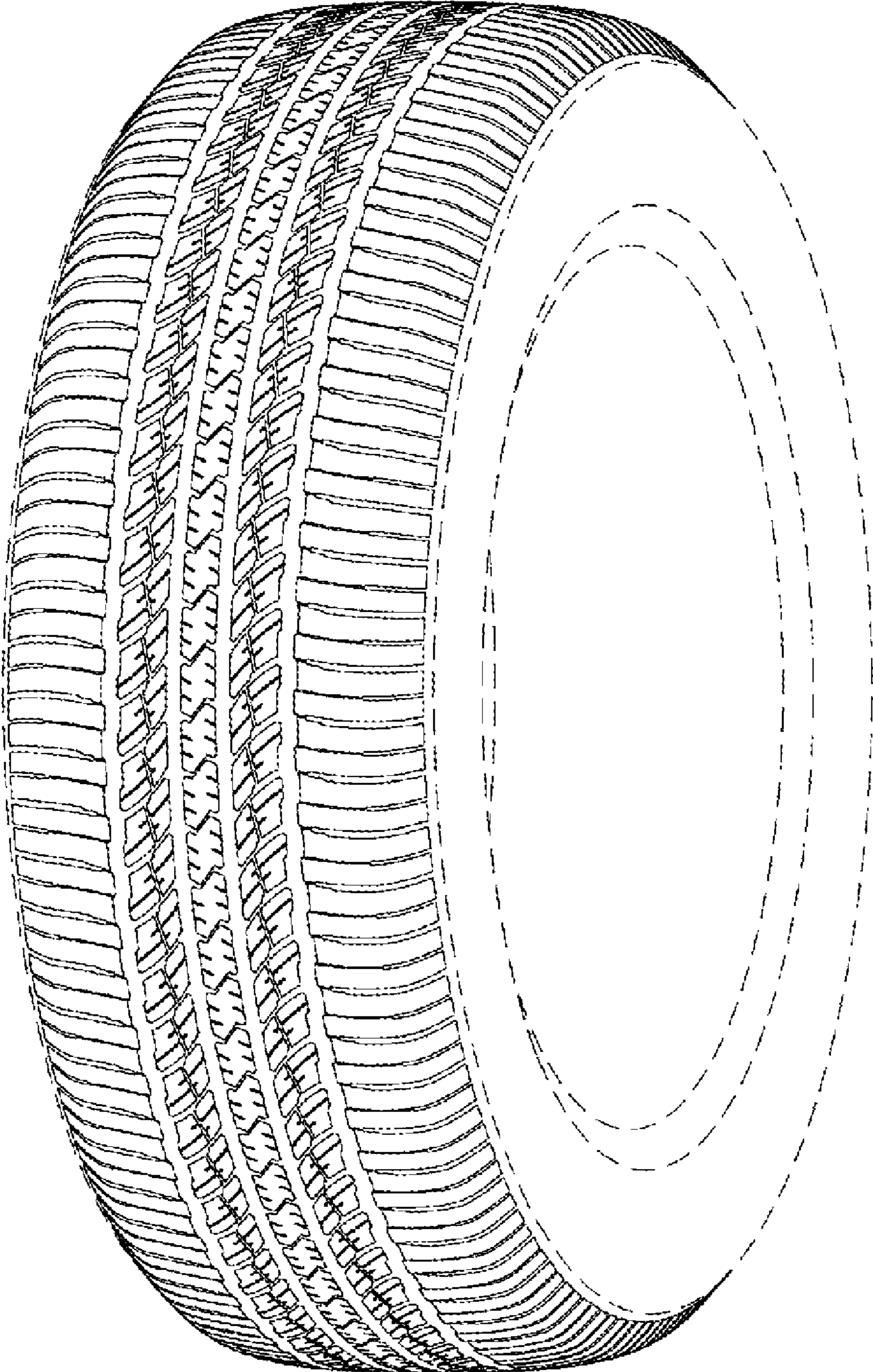


FIGURE 1

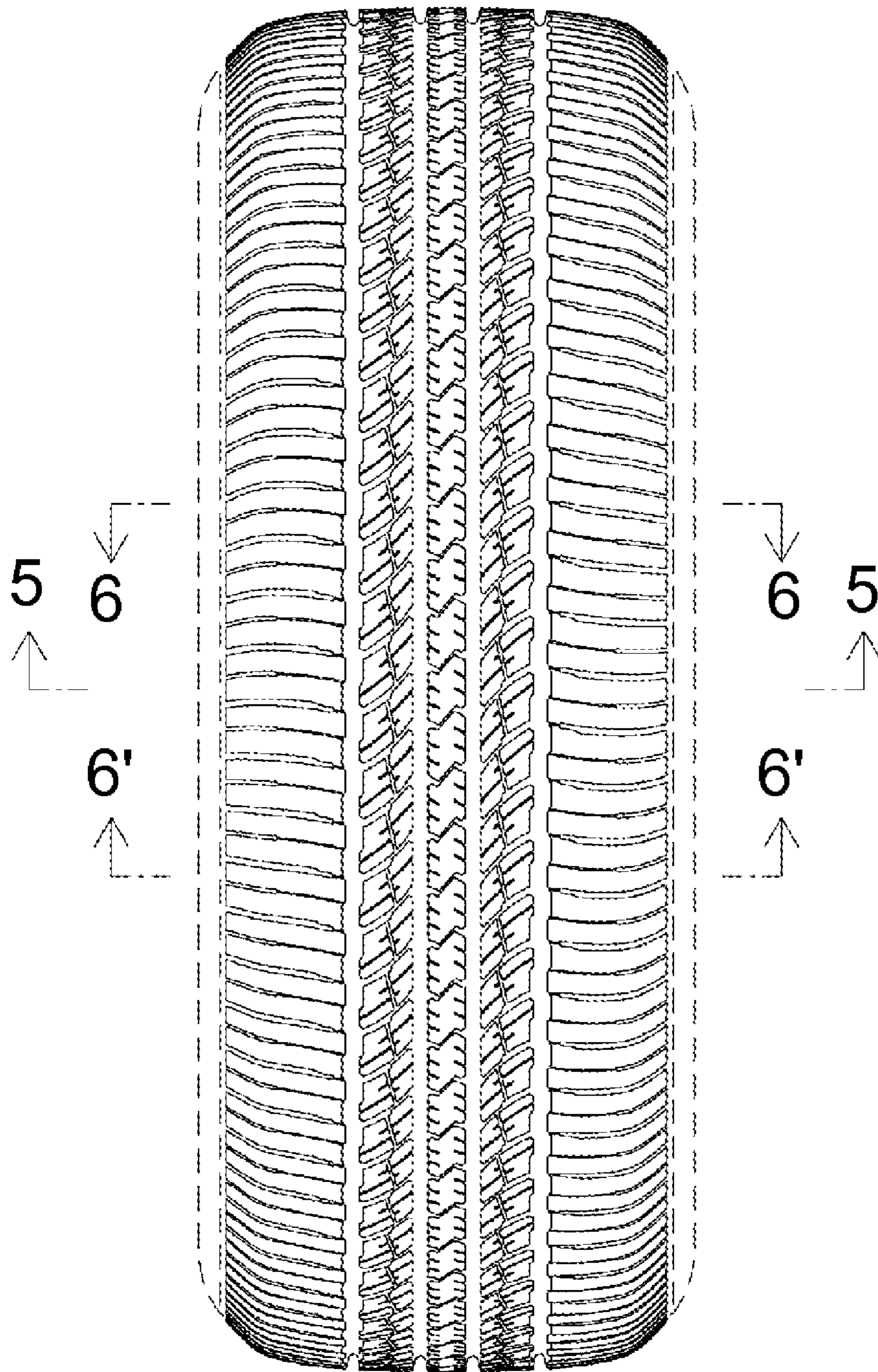


FIGURE 2

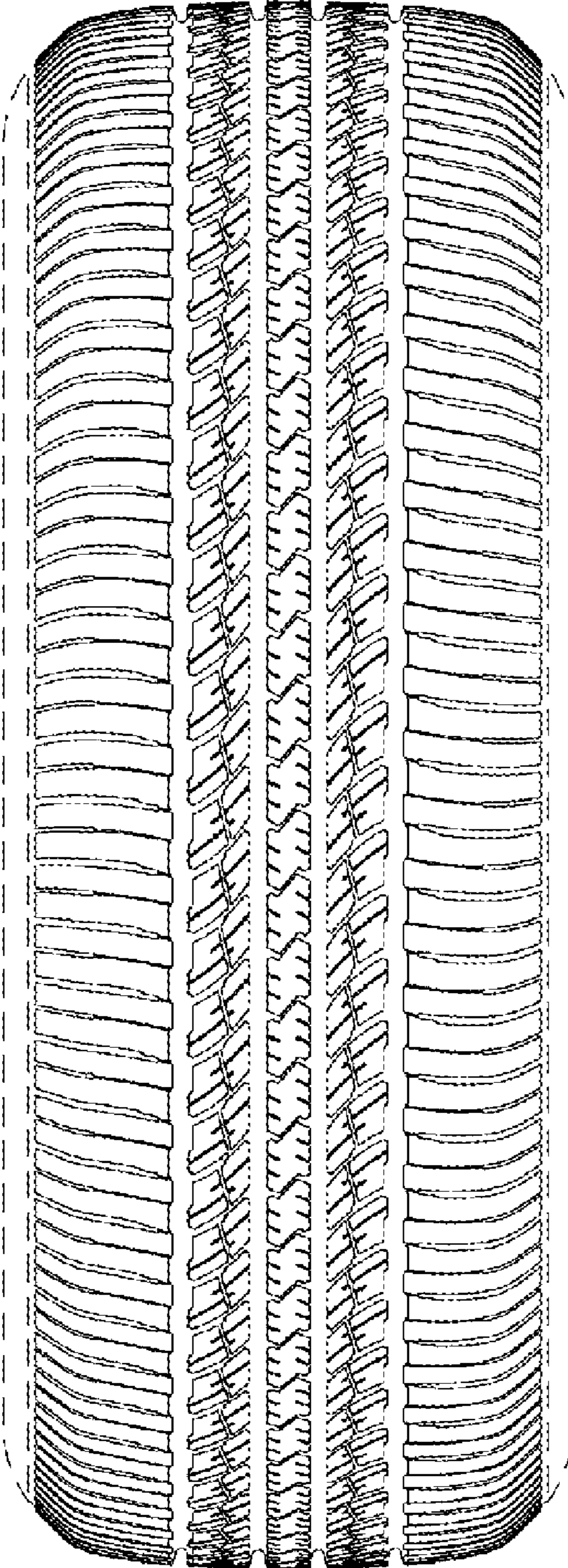


FIGURE 3

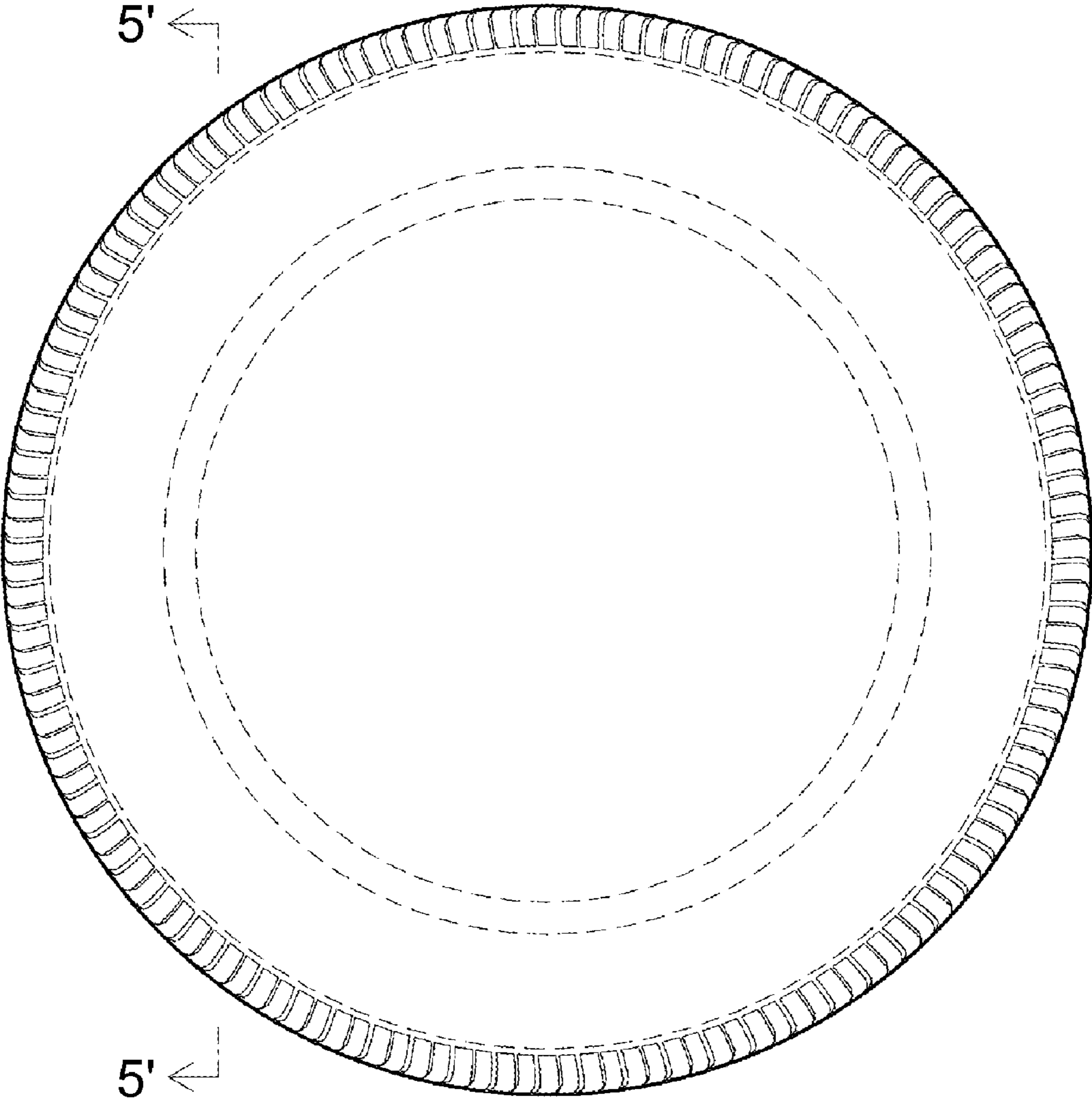


FIGURE 4

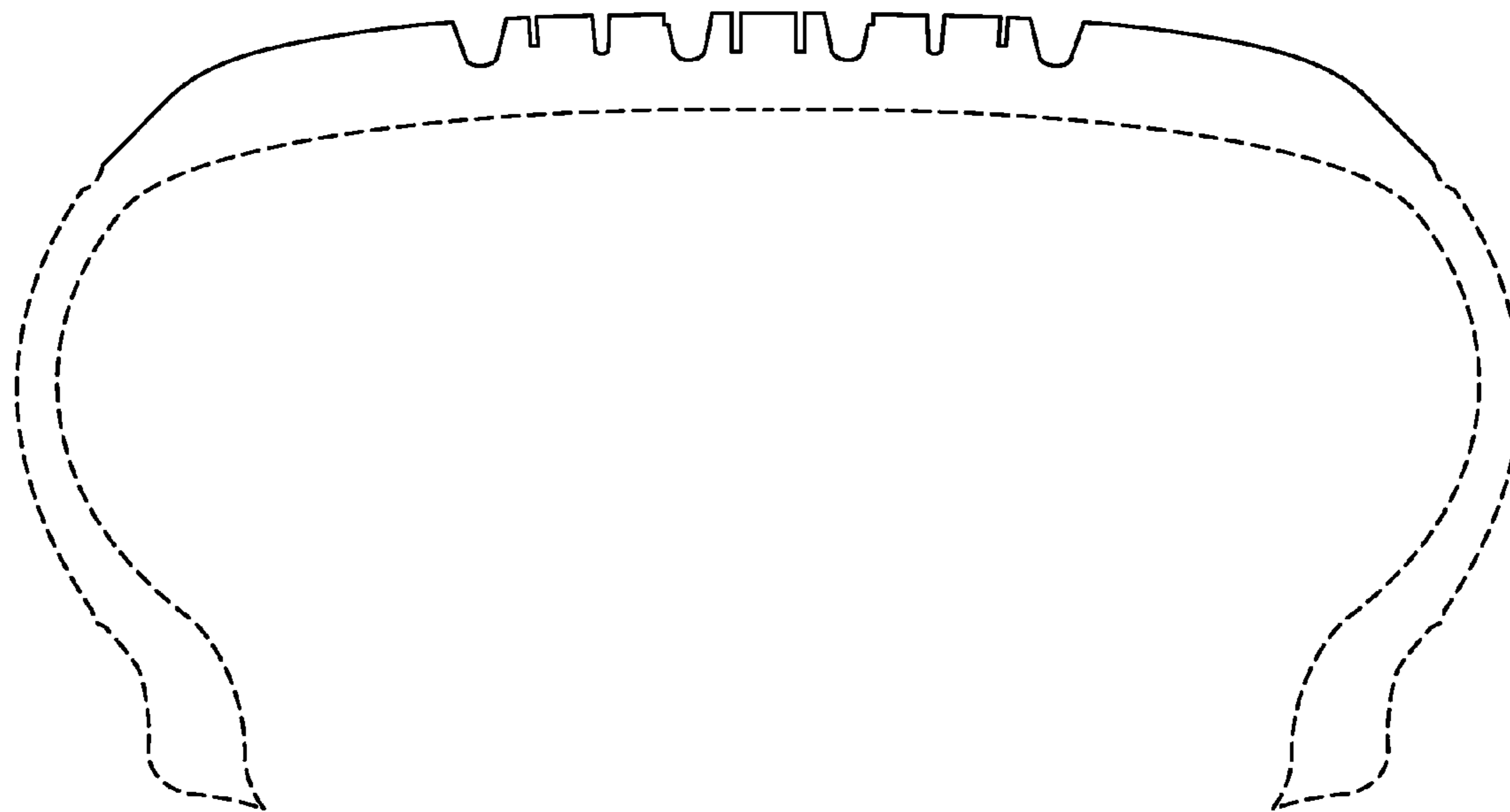


FIG. 5

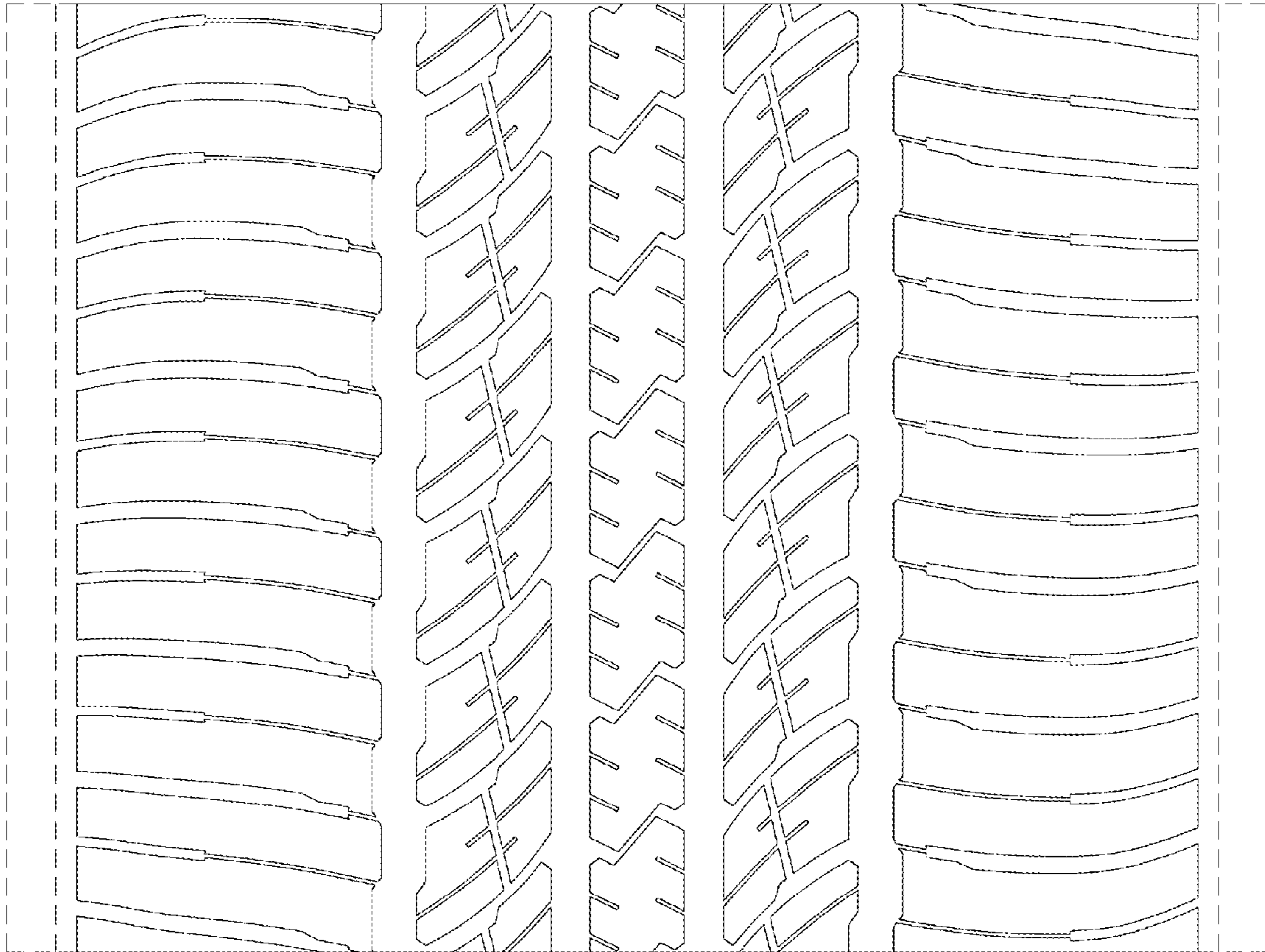


FIGURE 6