



US00D614560S

(12) **United States Design Patent**
Alexander

(10) **Patent No.:** **US D614,560 S**

(45) **Date of Patent:** **** Apr. 27, 2010**

(54) **FOREIGN OBJECT DEFLECTOR**

(76) Inventor: **Charles R. Alexander**, P.O. Box 18,
Vivian, LA (US) 71082

(**) Term: **14 Years**

(21) Appl. No.: **29/314,002**

(22) Filed: **Feb. 25, 2009**

(51) **LOC (9) Cl.** **12-07**

(52) **U.S. Cl.** **D12/345**

(58) **Field of Classification Search** D12/345;
D7/400, 700; 244/113, 121, 130, 102 R,
244/137.1, 213–215

See application file for complete search history.

(56) **References Cited**

U.S. PATENT DOCUMENTS

2,381,705	A	8/1945	Vokes	183/33
2,508,288	A	5/1950	Owner et al.	244/15
2,814,454	A	11/1957	Atkins et al.	244/102
2,963,856	A	12/1960	Caddell	60/35.6
2,969,941	A	1/1961	Hobart, Jr.	244/53
3,121,545	A	2/1964	Meletiou	244/53
3,168,999	A	2/1965	Warren et al.	244/53
D208,936	S *	10/1967	Capiro et al.	D7/667
3,871,844	A	3/1975	Calvin, Sr.	55/306
D240,810	S *	8/1976	Meyerhoff et al.	D12/214
4,149,689	A	4/1979	McDonald	244/53 B
4,165,849	A	8/1979	Fox	244/113
5,094,071	A	3/1992	Jabs	60/244
5,411,224	A	5/1995	Dearman et al.	244/53 B
5,583,365	A *	12/1996	Villa et al.	257/409
5,697,394	A	12/1997	Smith et al.	137/15.1
6,089,824	A	7/2000	Soares	415/121.1

D433,029	S *	10/2000	Eidson	D15/5
6,845,943	B2	1/2005	Chambers et al.	244/103 R
6,871,819	B2	3/2005	Garric	244/53 B
7,093,799	B1 *	8/2006	Dulat et al.	244/121
D567,038	S *	4/2008	Carallo	D7/700
D593,383	S *	6/2009	Palotto et al.	D7/700
D606,373	S *	12/2009	McCaffery et al.	D7/700

* cited by examiner

Primary Examiner—Cathron C. Brooks

Assistant Examiner—Maurice Stevens

(74) *Attorney, Agent, or Firm*—R. Keith Harrison

(57) **CLAIM**

The ornamental design for a foreign object deflector, as shown and described.

DESCRIPTION

FIG. 1 is a front perspective view of the foreign object deflector;

FIG. 2 is a side view of the foreign object deflector;

FIG. 3 is a front view of the foreign object deflector;

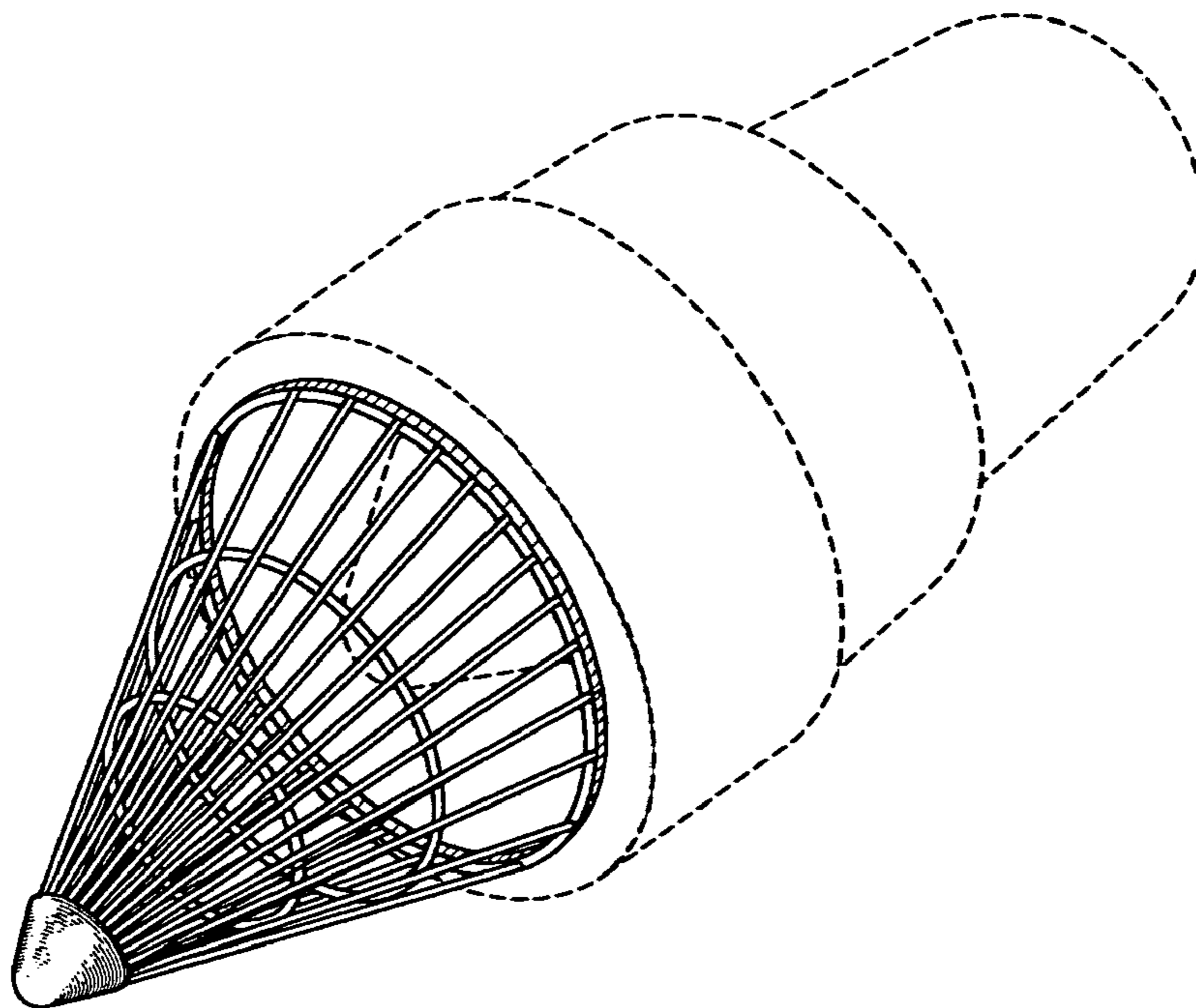
FIG. 4 is a rear view of the foreign object deflector;

FIG. 5 is a front perspective view of the foreign object deflector, attached to a jet engine (illustrated in phantom), which jet engine does not form a part of the claimed design; and,

FIG. 6 is a side view of the foreign object deflector attached to a jet engine, which jet engine does not form a part of the claimed design.

The broken line showing of a jet engine in FIGS. 5 and 6 is included for the purpose of illustrating only and forms no part of the claimed design.

1 Claim, 2 Drawing Sheets



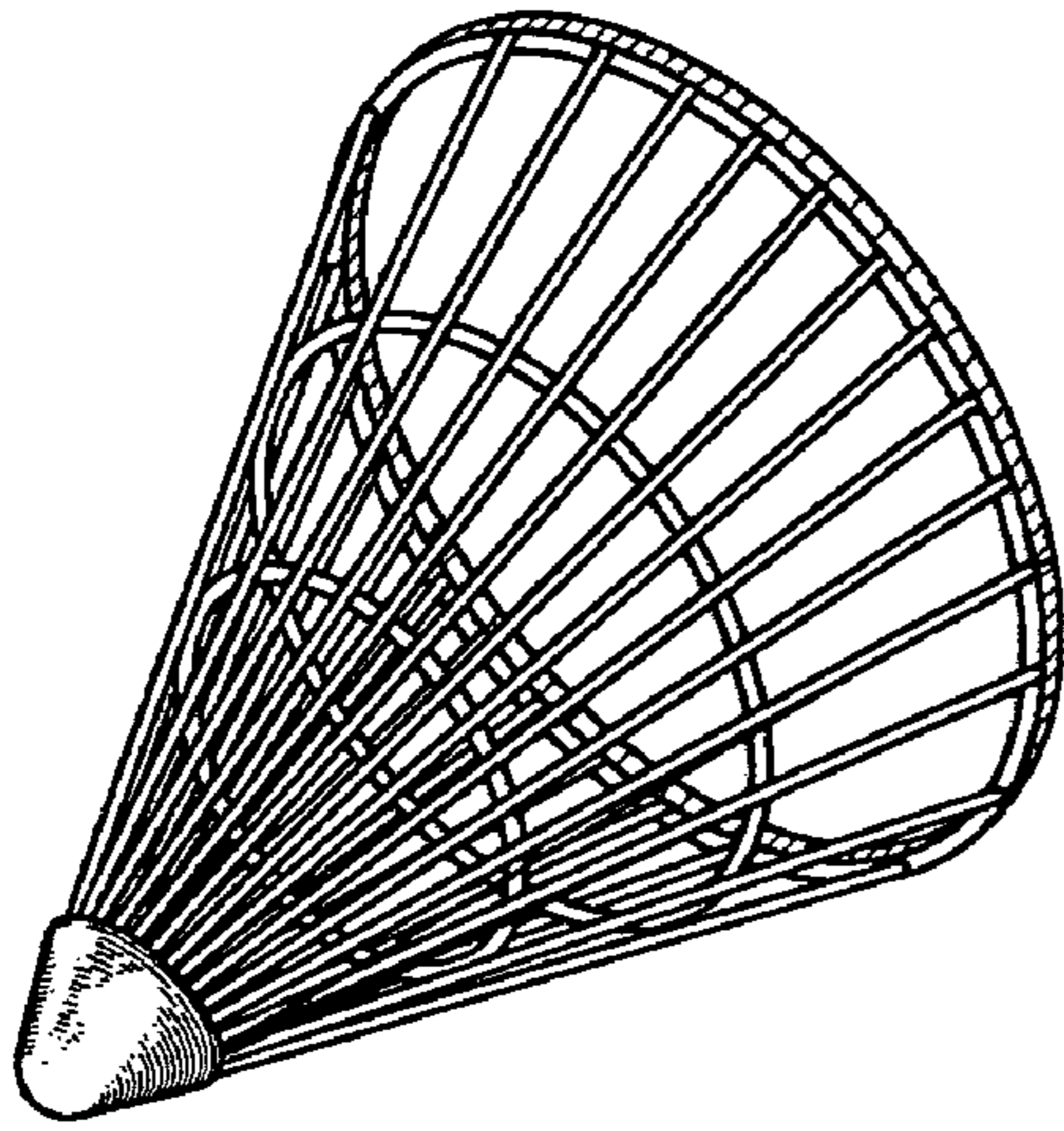


FIG. 1

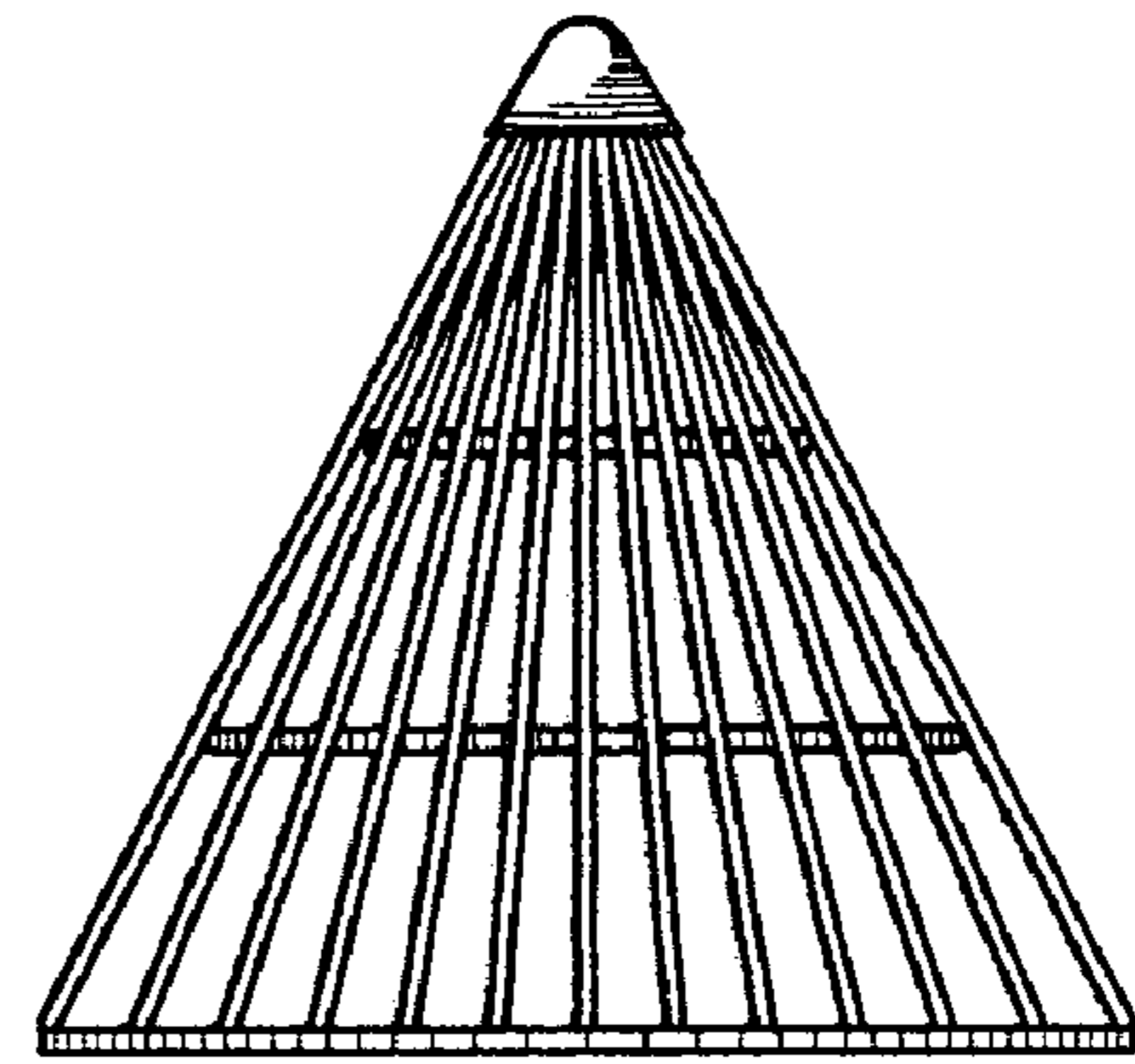


FIG. 2

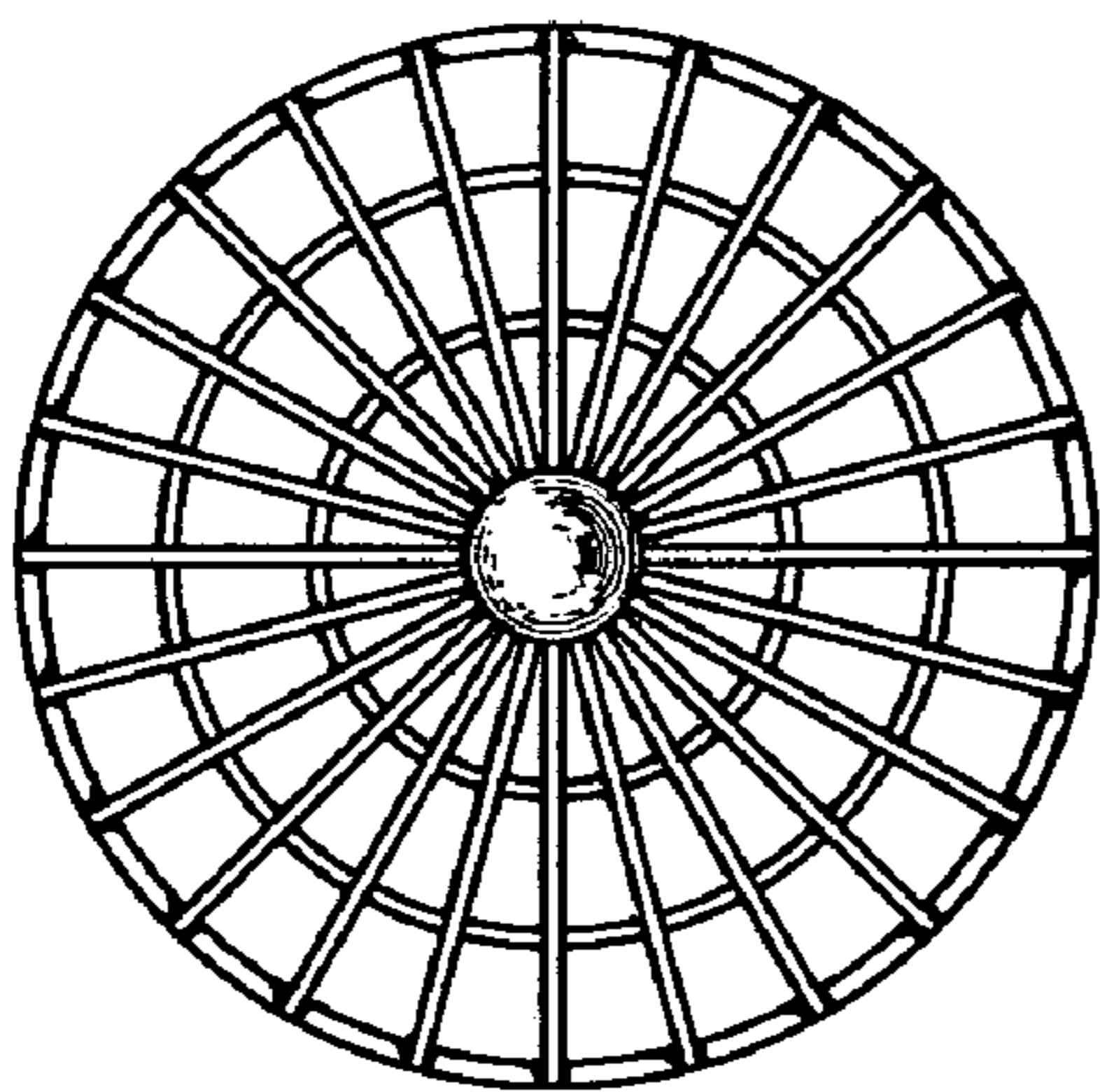


FIG. 3

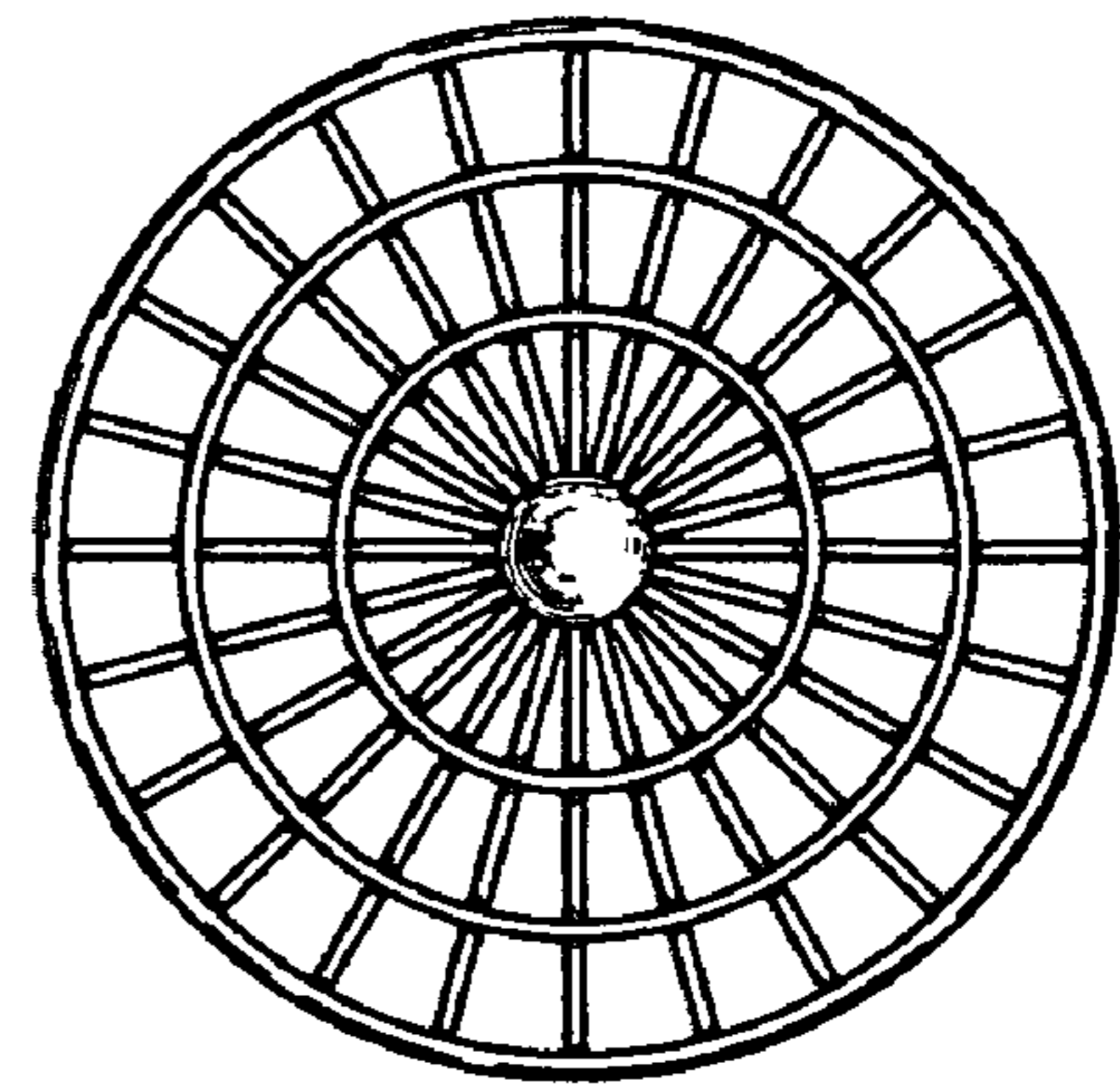


FIG. 4

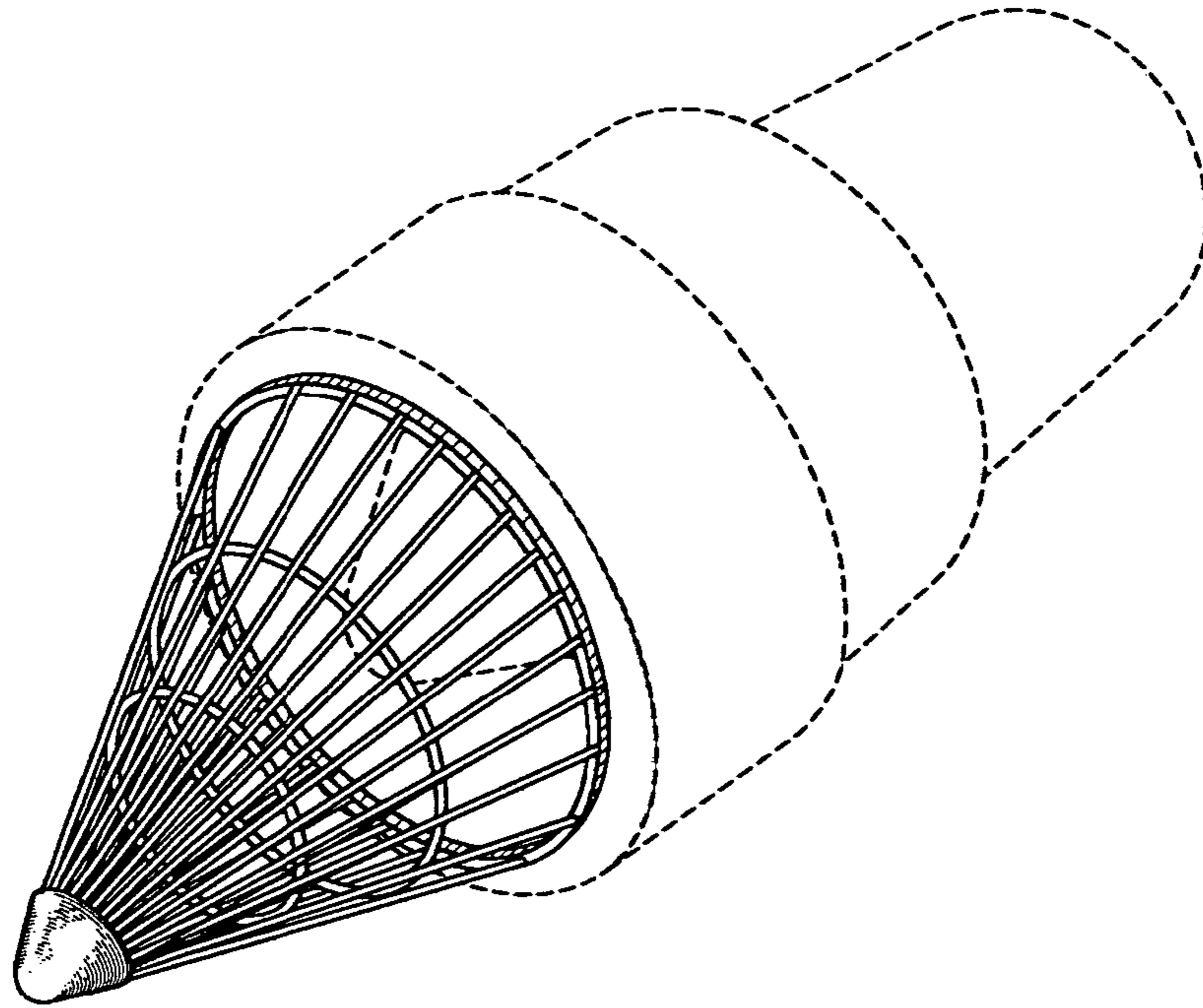


FIG. 5

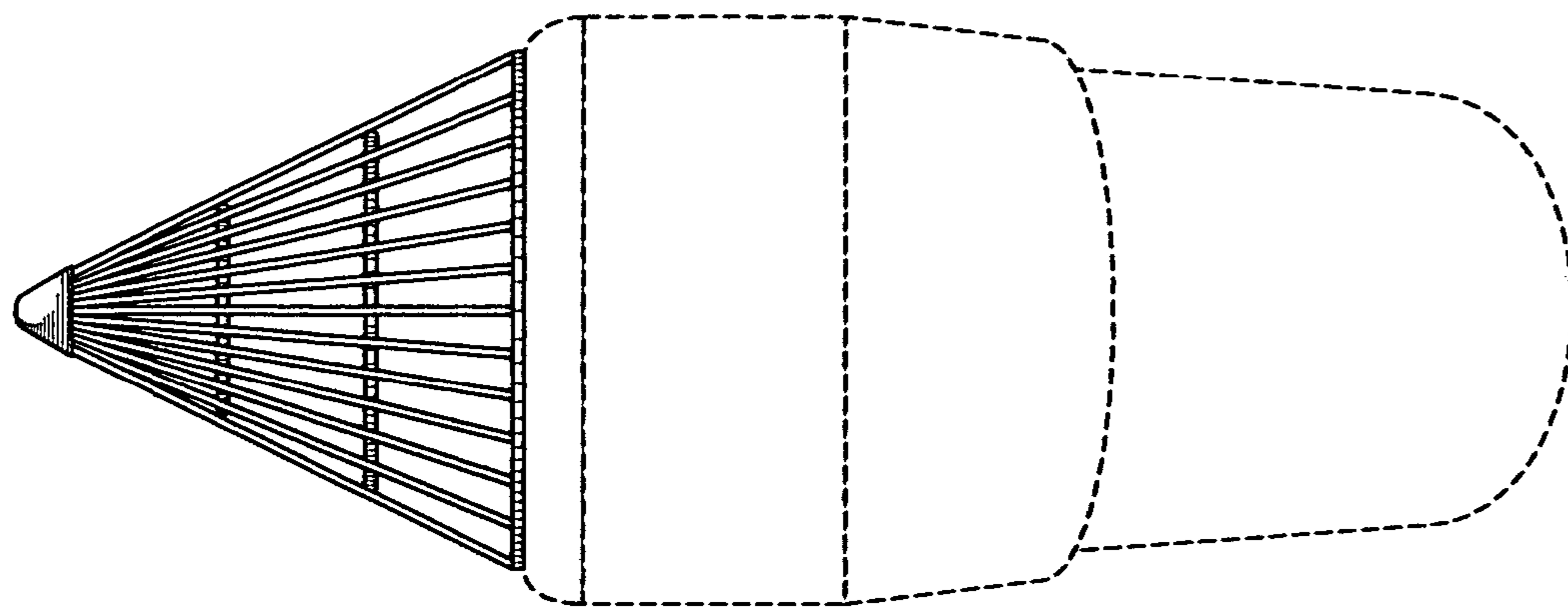


FIG. 6