



US00D614559S

(12) **United States Design Patent**
Alber et al.

(10) **Patent No.:** **US D614,559 S**

(45) **Date of Patent:** **** Apr. 27, 2010**

(54) **ROTARY-WING AIRCRAFT WITH A
COMMON DYNAMIC SYSTEM/BACKBONE
STRUCTURE**

(75) Inventors: **Mark R. Alber**, Milford, CT (US);
Benjamin Reed Hein, Milford, CT
(US); **Alfred Russell Smiley**,
Marlborough, CT (US); **Timothy F.
Lauder**, Oxford, CT (US); **William J.
Eadie**, Cheshire, CT (US)

(73) Assignee: **Sikorsky Aircraft Corporation**,
Stratford, CT (US)

(**) Term: **14 Years**

(21) Appl. No.: **29/284,739**

(22) Filed: **Sep. 14, 2007**

(51) **LOC (9) Cl.** **09-12**

(52) **U.S. Cl.** **D12/326**

(58) **Field of Classification Search** D12/319,
D12/343, 326, 327; 244/35 R, 45 R, 119,
244/130

See application file for complete search history.

(56) **References Cited**

U.S. PATENT DOCUMENTS

D336,888 S * 6/1993 Alber et al. D12/327
D592,583 S * 5/2009 Brody et al. D12/326

* cited by examiner

Primary Examiner—Lisa P Lichtenstein

(74) *Attorney, Agent, or Firm*—Carlson, Gaskey & Olds PC

(57) **CLAIM**

The ornamental design for a rotary-wing aircraft with a com-
mon dynamic system/backbone structure, as shown and
described.

DESCRIPTION

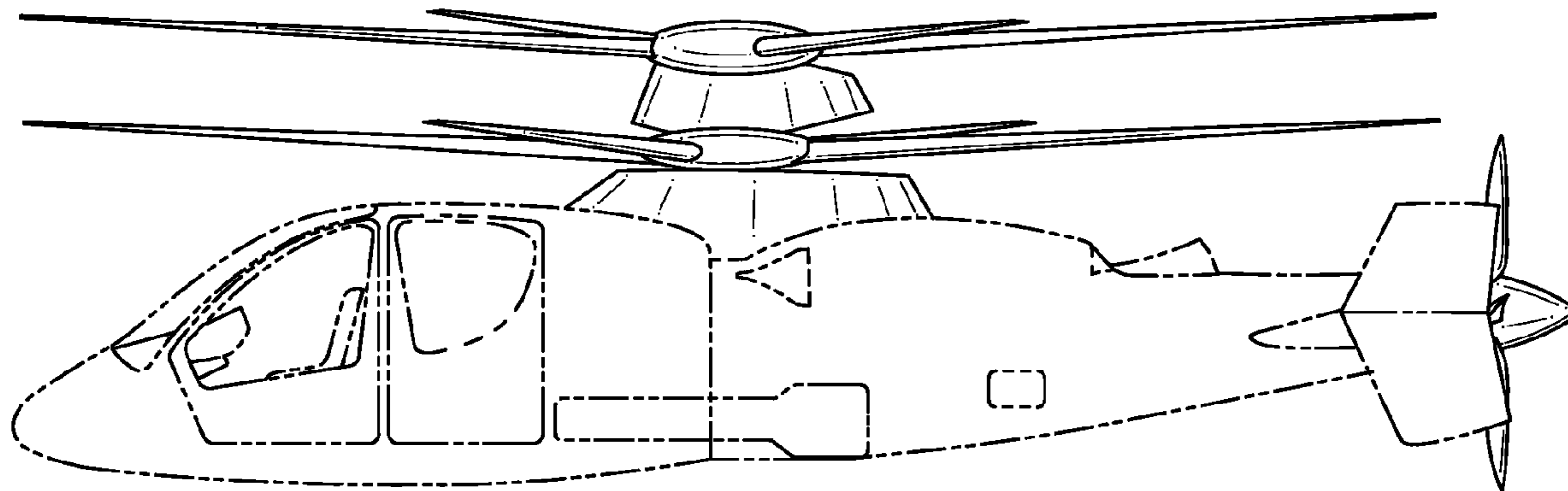
FIG. 1 is a side view of a rotary-wing aircraft;

FIG. 2 is a front view of a rotary-wing aircraft of FIG. 1;

FIG. 3 is a top view of a rotary-wing aircraft of FIG. 1; and,

FIG. 4 is a front left perspective view of a rotary-wing aircraft
of FIG. 1.

1 Claim, 3 Drawing Sheets



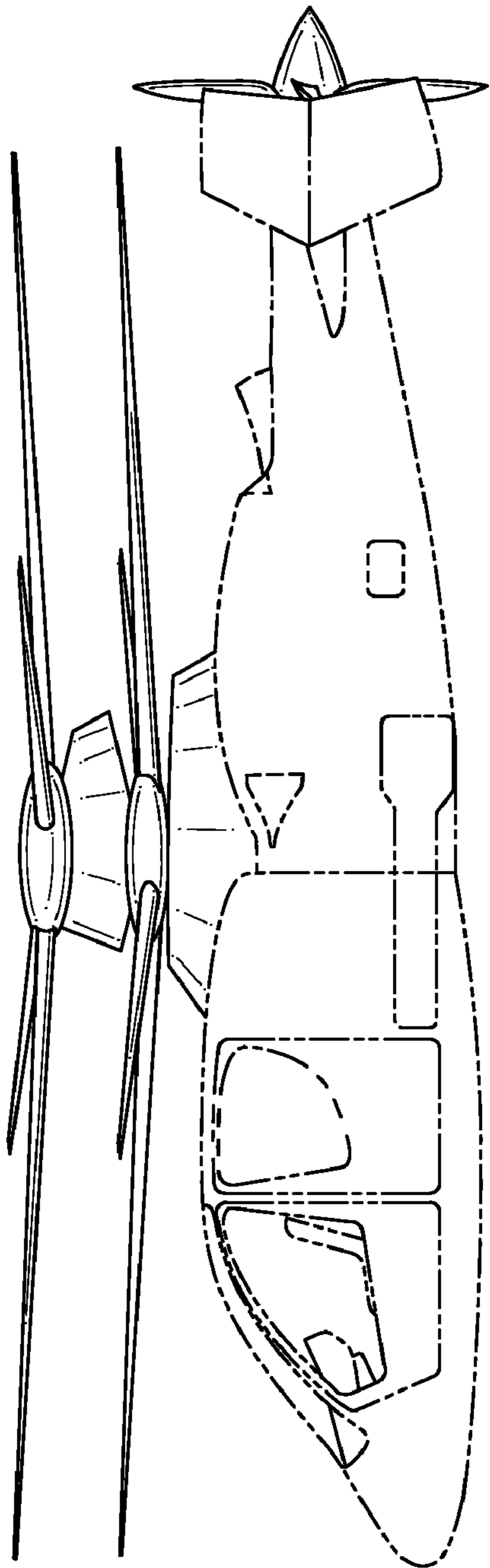


FIG. 1

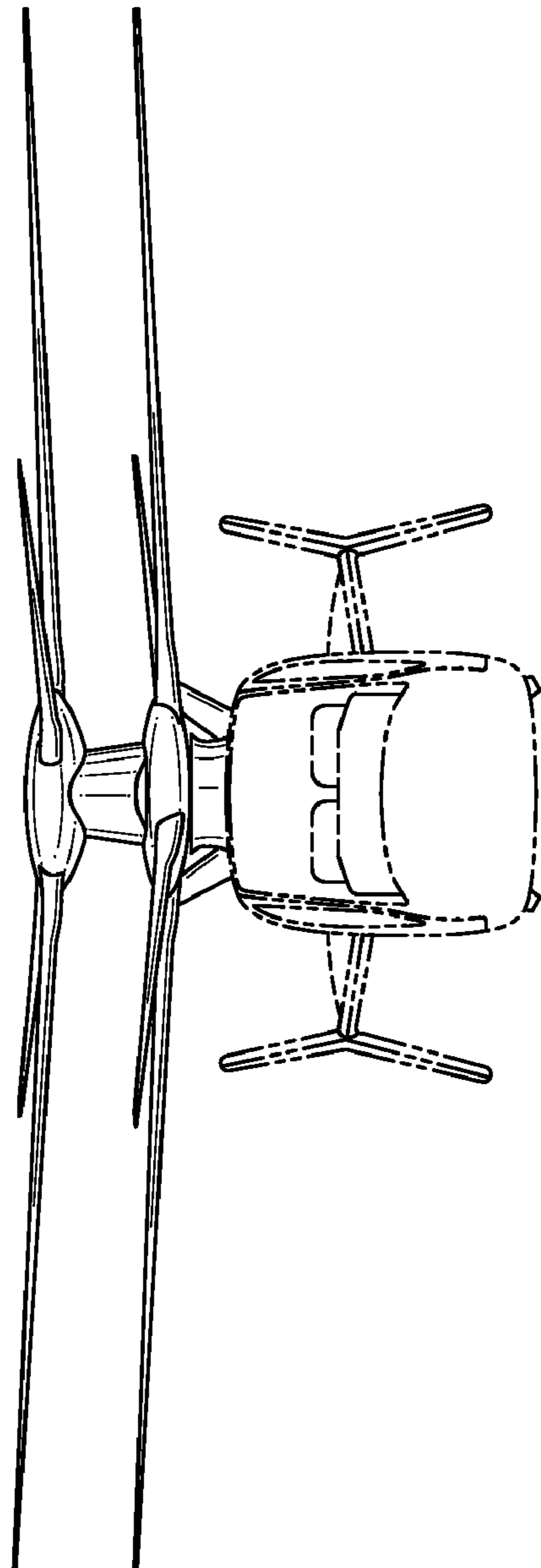


FIG. 2

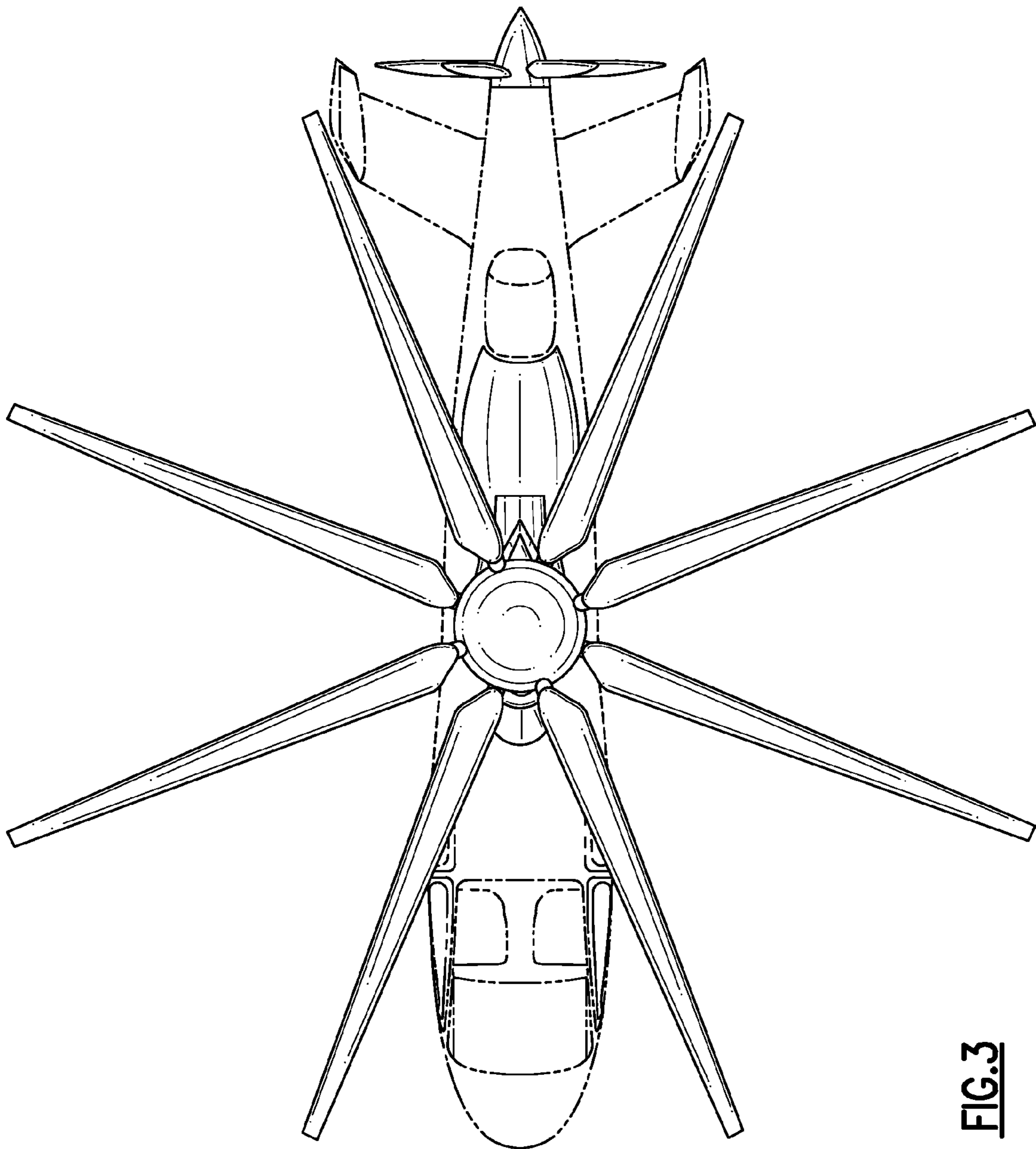


FIG. 3

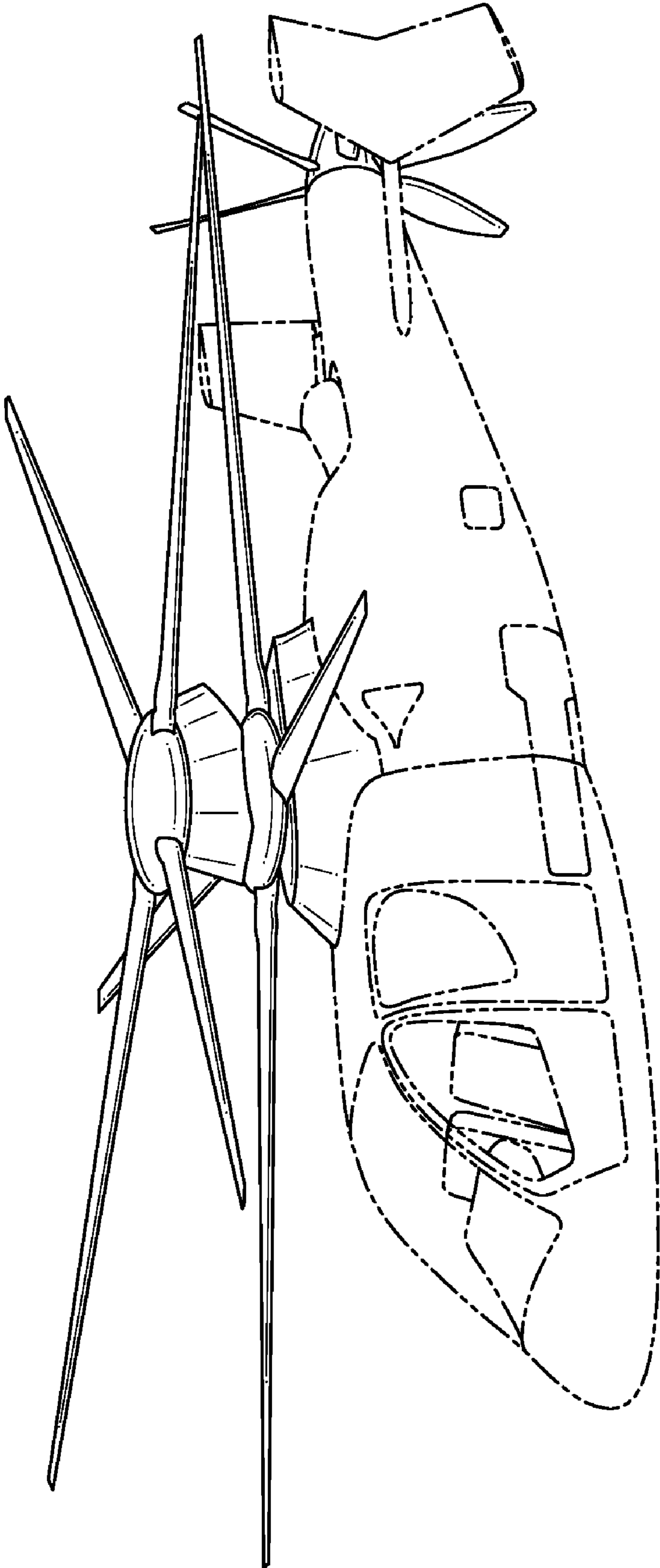


FIG.4