



US00D614558S

(12) **United States Design Patent**
Luciani et al.

(10) **Patent No.:** **US D614,558 S**

(45) **Date of Patent:** **** Apr. 27, 2010**

(54) **WHEEL OR WHEEL COVER**

(75) Inventors: **Franco Luciani**, Freiburg (DE); **Marcus Wallmeyer**, Reute (DE)

(73) Assignee: **Bayerische Motoren Werke Aktiengesellschaft**, Munich (DE)

(**) Term: **14 Years**

(21) Appl. No.: **29/347,014**

(22) Filed: **Aug. 24, 2009**

(30) **Foreign Application Priority Data**

Feb. 25, 2009 (DE) 402009001117

(51) **LOC (9) Cl.** **12-16**

(52) **U.S. Cl.** **D12/209**

(58) **Field of Classification Search** D12/204-213;
301/37.101, 64.101, 65, 64.201

See application file for complete search history.

(56) **References Cited**

U.S. PATENT DOCUMENTS

D469,048 S	1/2003	van Hooydonk	
D487,881 S *	3/2004	Laengerer	D12/209
D491,124 S *	6/2004	Rice	D12/209
D492,235 S	6/2004	Nordmann	
D496,318 S *	9/2004	Cheng	D12/209
D512,007 S *	11/2005	Sze	D12/209
D517,968 S *	3/2006	Morioka	D12/209
D522,433 S *	6/2006	Szavits	D12/209
D528,958 S *	9/2006	Kim	D12/209
D531,563 S *	11/2006	Martin	D12/209
D538,216 S	3/2007	Sycha	
D539,204 S *	3/2007	Pollmann	D12/209
D540,238 S *	4/2007	Sycha	D12/209

D560,585 S *	1/2008	Blasi	D12/209
D582,331 S	12/2008	Blasi	
D583,740 S	12/2008	Frizzi	
D585,805 S *	2/2009	Friedrich et al.	D12/209
D587,181 S *	2/2009	Musser	D12/209
D590,757 S *	4/2009	Froehlich	D12/209
D593,018 S	5/2009	Juergens et al.	
D593,920 S	6/2009	Juergens et al.	
D594,801 S *	6/2009	Imai	D12/211

FOREIGN PATENT DOCUMENTS

DE	40006568.1	10/2000
DE	40104441.6	9/2001
EM	000577945-0002	9/2006
EM	000825609-0004	11/2007
EM	000923388-0001	5/2008
EM	000997572-0001	10/2008
EM	000997572-0002	10/2008

* cited by examiner

Primary Examiner—Stacia Cadmus

(74) *Attorney, Agent, or Firm*—Crowell & Moring LLP

(57) **CLAIM**

The ornamental design for a wheel or wheel cover, as shown and described.

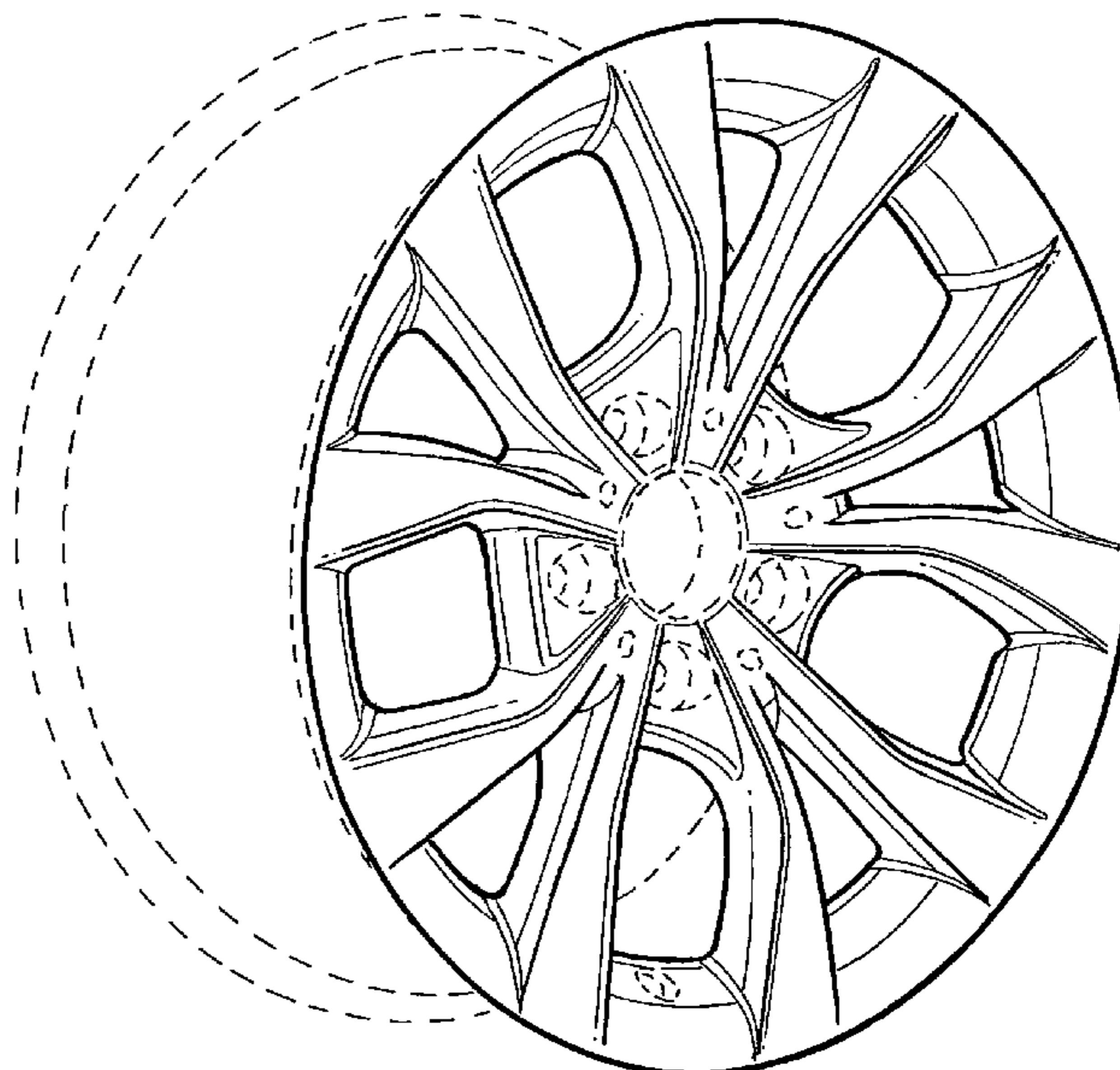
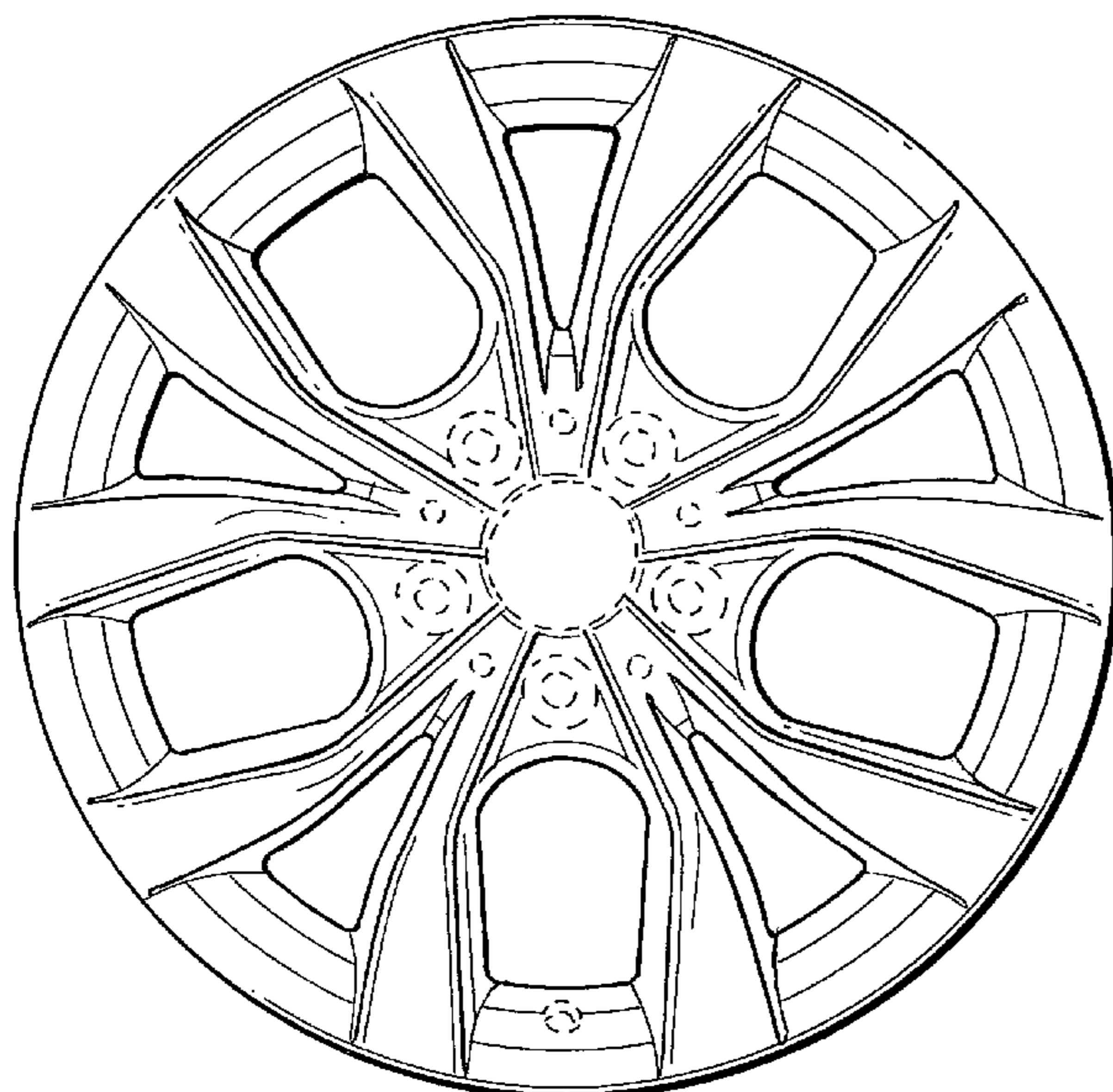
DESCRIPTION

FIG. 1 is a front view of a wheel or wheel cover according to our design; and,

FIG. 2 is a perspective view thereof.

The broken line showing of the rear of the rim and the bolt holes and center hole in the central hub area is included for the purpose of illustrating environment and forms no part of the claimed design.

1 Claim, 1 Drawing Sheet



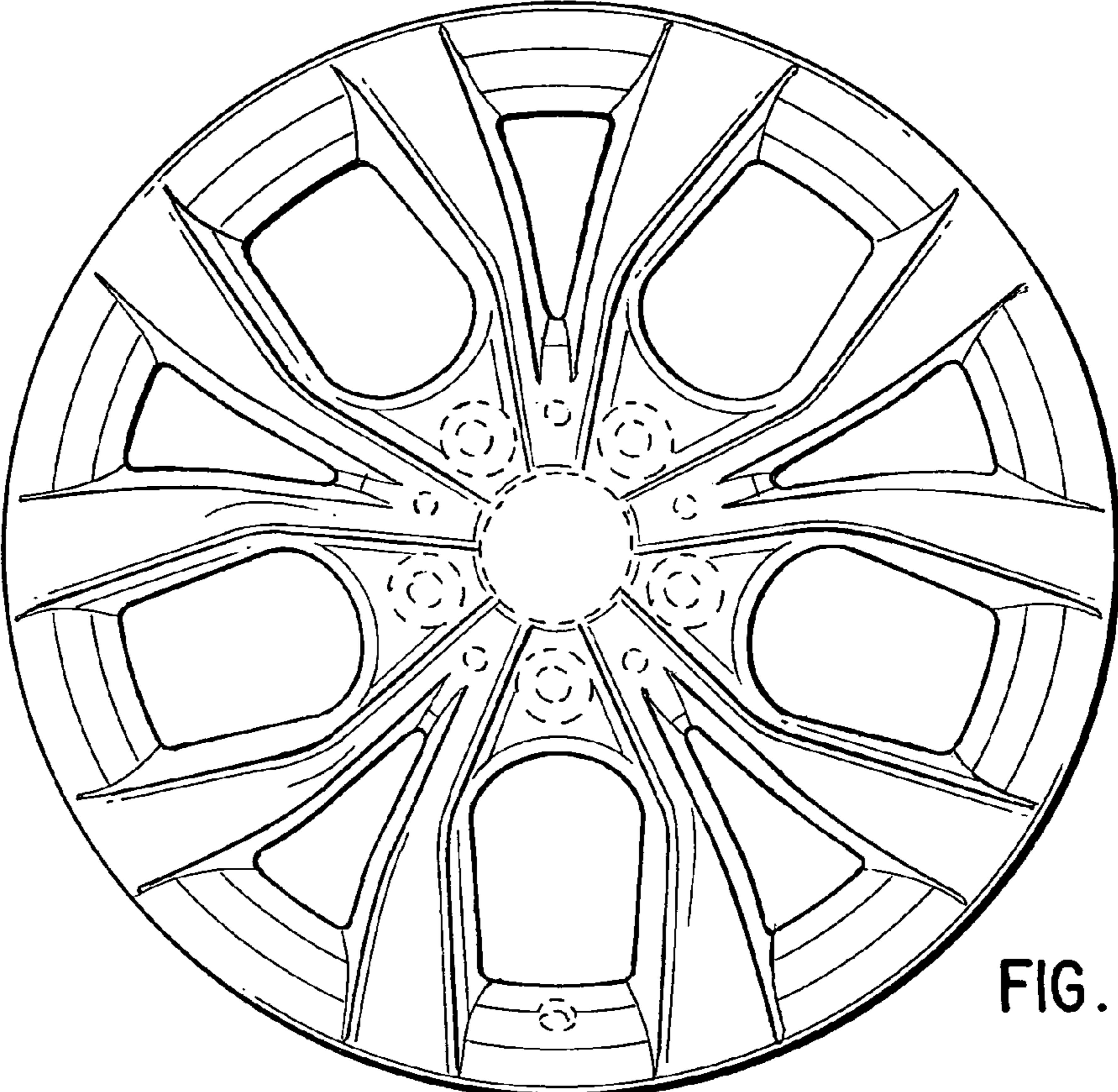


FIG. 1

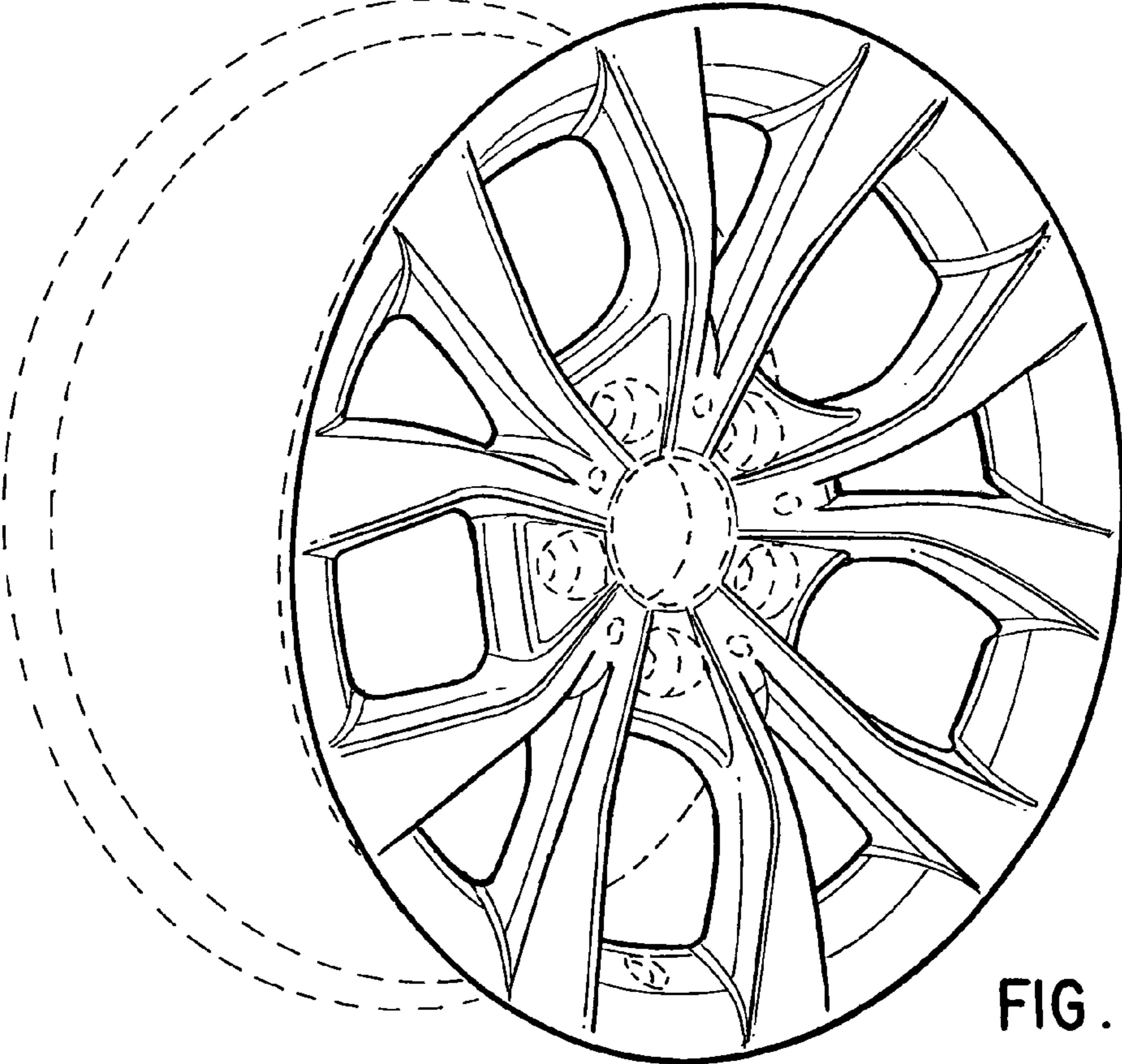


FIG. 2