



US00D614549S

(12) **United States Design Patent**
Salazar

(10) **Patent No.:** **US D614,549 S**
(45) **Date of Patent:** **** Apr. 27, 2010**

(54) **STEERING WHEEL BOOK HOLDER**

(76) **Inventor:** **Jose Salazar**, 11816 S. New Hampshire Ave., Los Angeles, CA (US) 90044

(**) **Term:** **14 Years**

(21) **Appl. No.:** **29/336,613**

(22) **Filed:** **May 6, 2009**

(51) **LOC (9) Cl.** **12-16**

(52) **U.S. Cl.** **D12/177; D12/400; D7/409; D7/387**

(58) **Field of Classification Search** D12/177, D12/174, 175, 400; 108/44; 248/444.1; 4/579; D7/388, 396, 409, 402; D6/419, D6/567

See application file for complete search history.

(56) **References Cited**

U.S. PATENT DOCUMENTS

893,930	A *	7/1908	Lederman	4/579
1,299,827	A *	4/1919	Edwards	297/255
D118,443	S *	1/1940	Fisk et al.	D6/313
D152,688	S *	2/1949	Hammond	D6/411
3,193,240	A *	7/1965	Browett	248/449
3,625,161	A *	12/1971	Rosner	108/44
4,453,788	A	6/1984	Russell		
4,805,867	A	2/1989	McAllister		
D365,219	S	12/1995	Tange		
5,511,493	A	4/1996	Kanehl, Jr.		
D381,212	S *	7/1997	Pagano	D6/300
D411,391	S *	6/1999	Goodman et al.	D6/419
6,038,983	A	3/2000	Lendl		
D431,019	S	9/2000	Richter		

6,148,738	A	11/2000	Richter		
D490,606	S *	6/2004	Beatto	D3/215
7,000,985	B2 *	2/2006	Belgarde	297/255
D547,991	S *	8/2007	Kubota	D6/567
D577,256	S *	9/2008	Schutte	D7/409
2004/0094677	A1	5/2004	Guo et al.		
2005/0077333	A1	4/2005	Caradimos		
2006/0032410	A1	2/2006	Miller		

* cited by examiner

Primary Examiner—Robert M Spear
Assistant Examiner—Cynthia Underwood
(74) *Attorney, Agent, or Firm*—Kyle Fletcher

(57) **CLAIM**

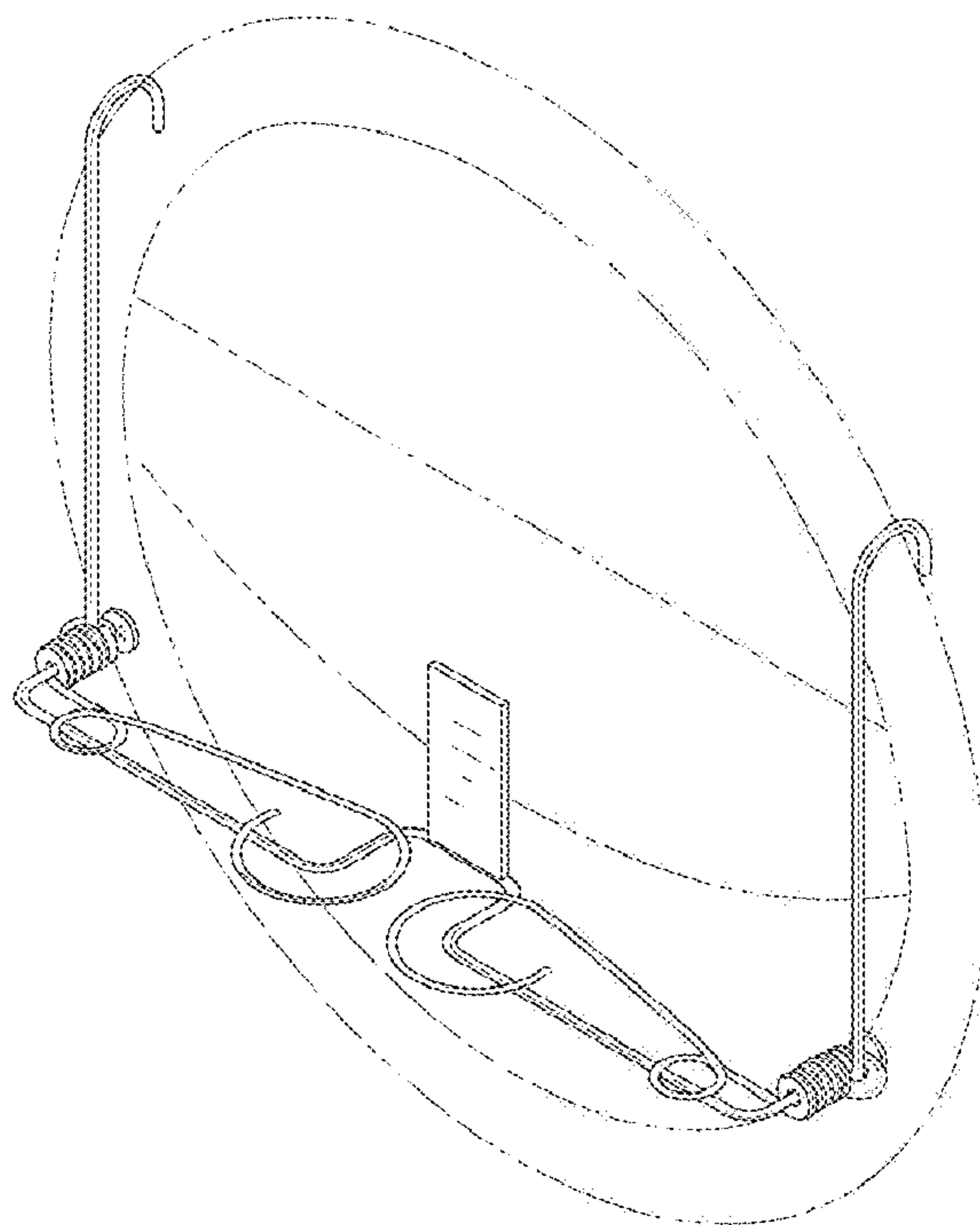
I claim the ornamental design for the steering wheel book holder, as shown and described.

DESCRIPTION

FIG. 1 is a front view of the steering wheel book holder.
FIG. 2 is a rear view of the claimed design.
FIG. 3 is a side view of the claimed design.
FIG. 4 is a top view of the claimed design.
FIG. 5 is a bottom view of the claimed design.
FIG. 6 is an isometric view of the claimed design with broken lines that represent the item in use on a steering wheel; and,
FIG. 7 is an isometric view of the claimed design with alternate broken lines that represent the item in use on a steering wheel.

The broken lines in the drawings form no part of the claim.

1 Claim, 4 Drawing Sheets



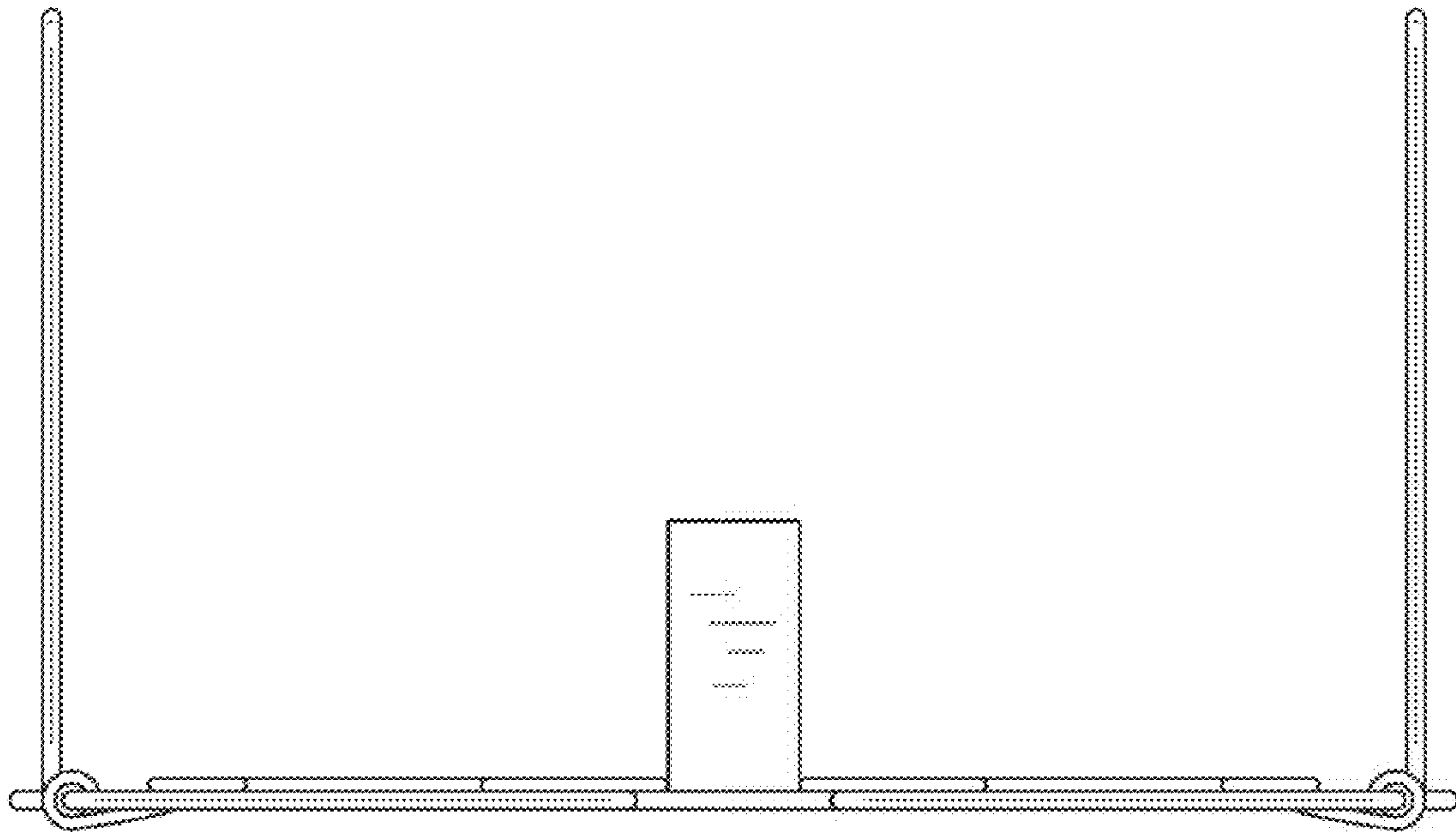


FIG. 1

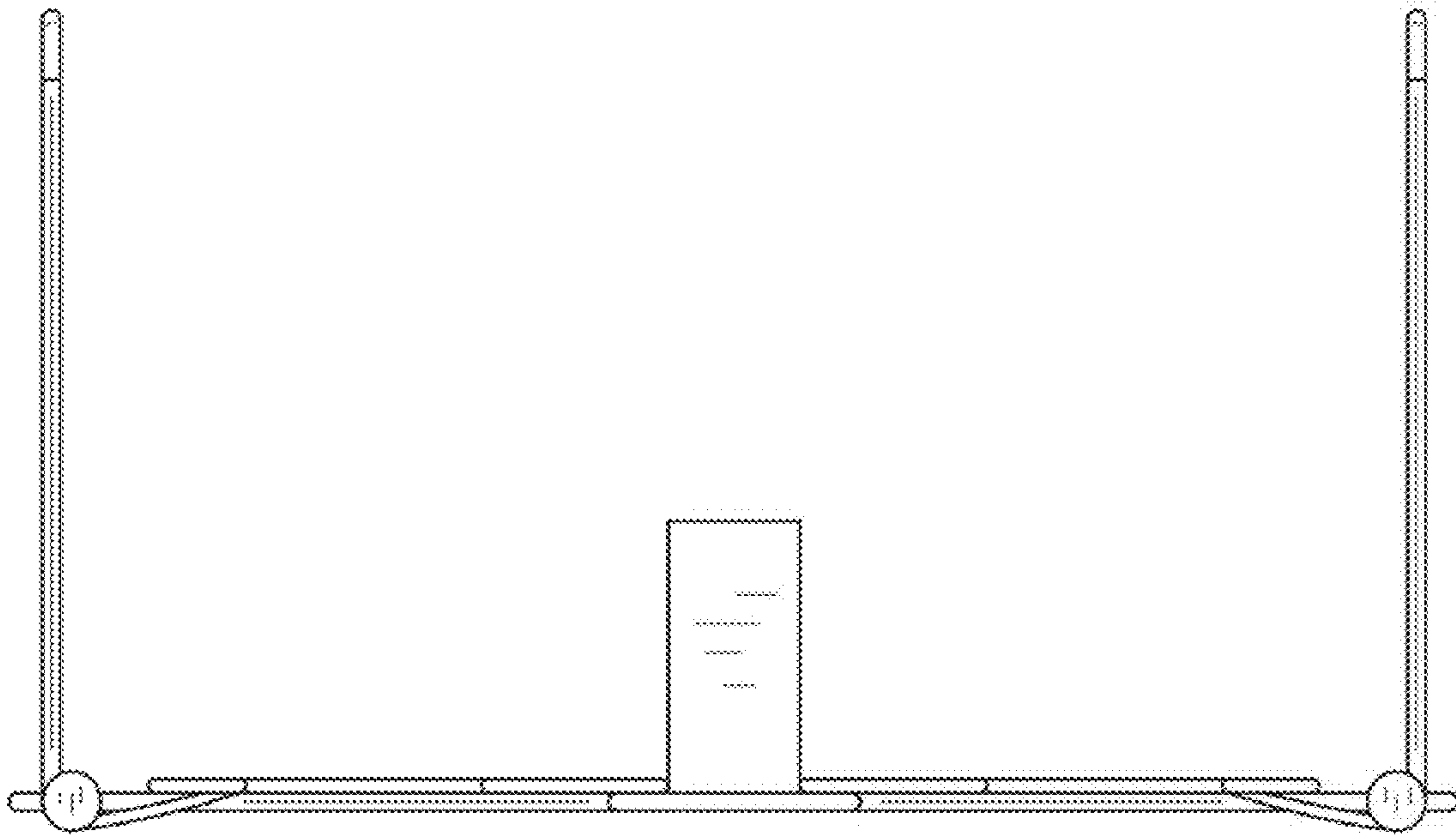


FIG. 2

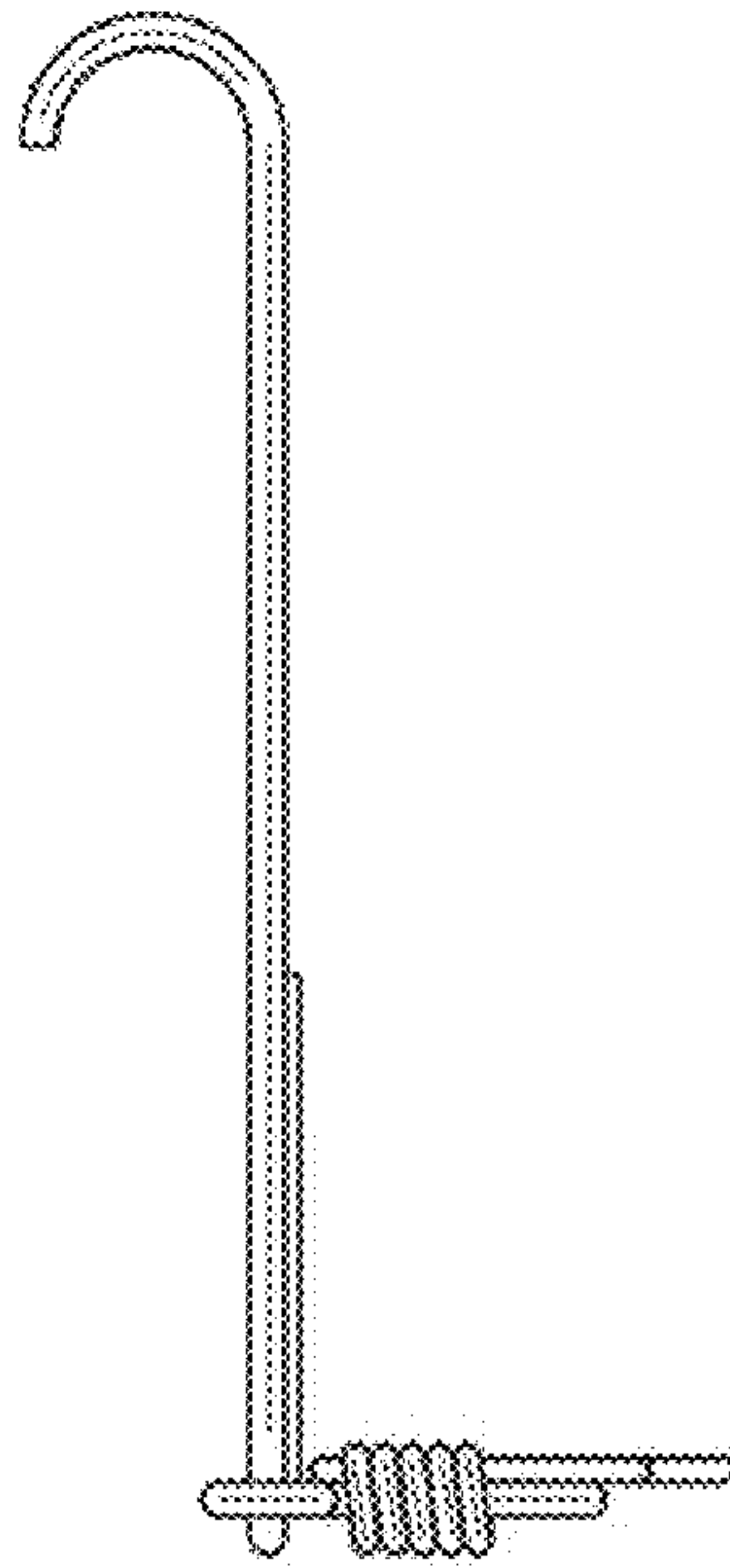


FIG. 3

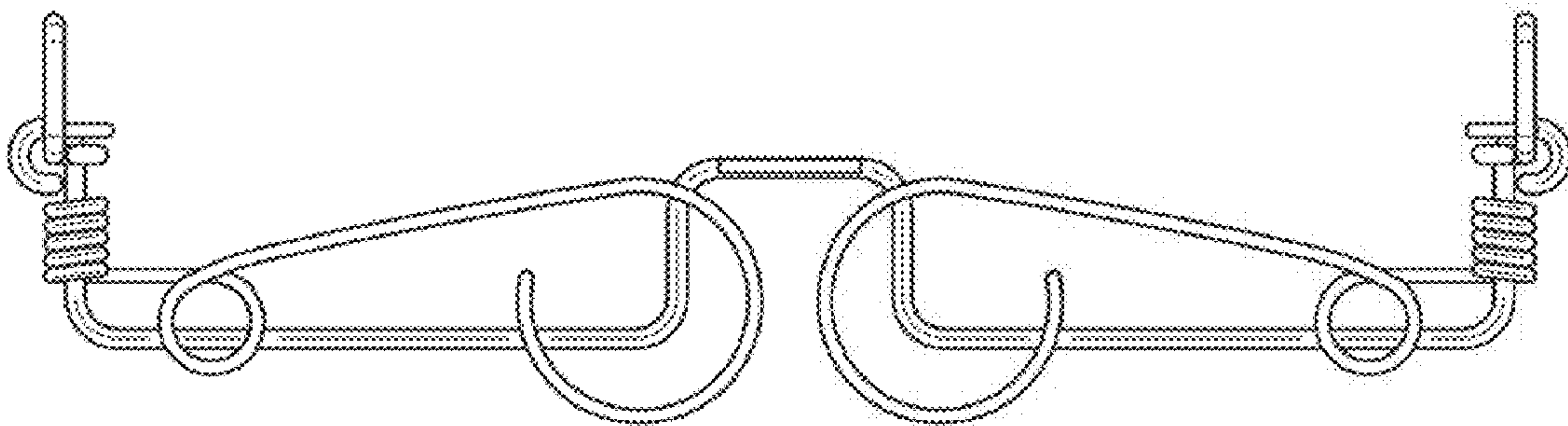


FIG. 4

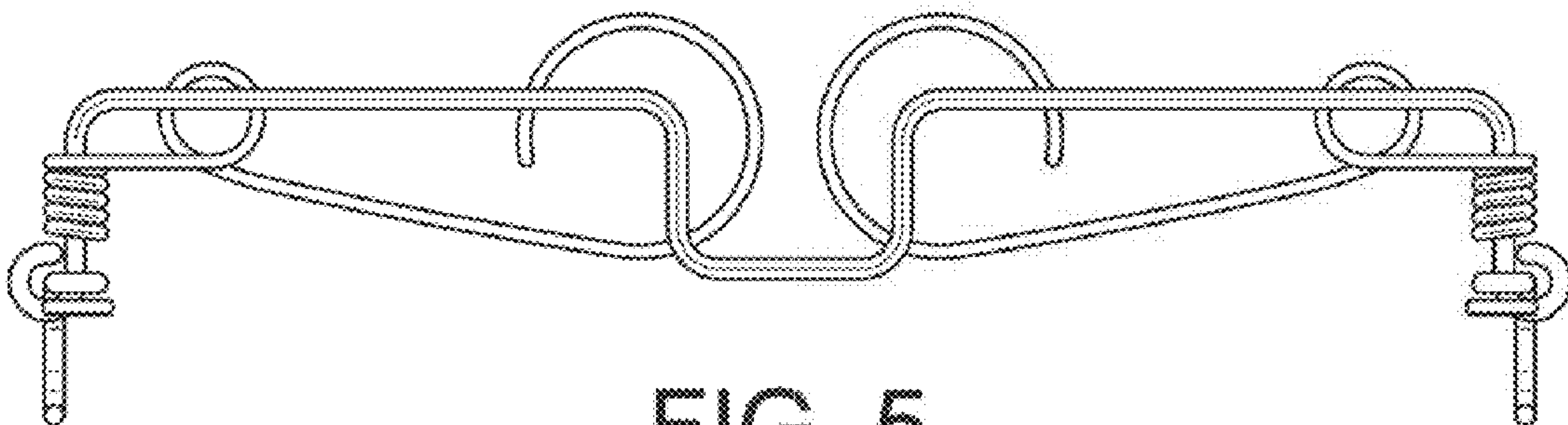


FIG. 5

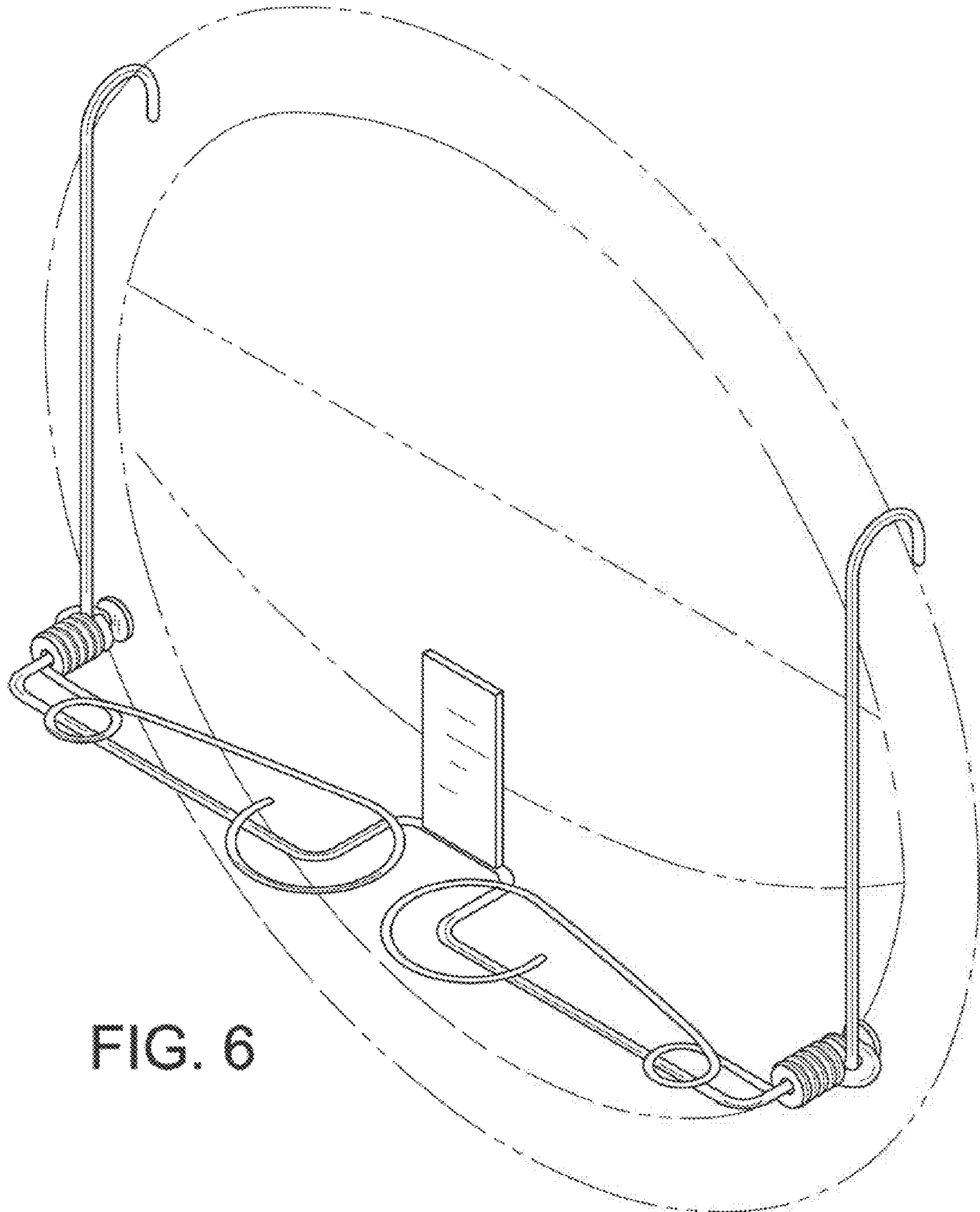


FIG. 6

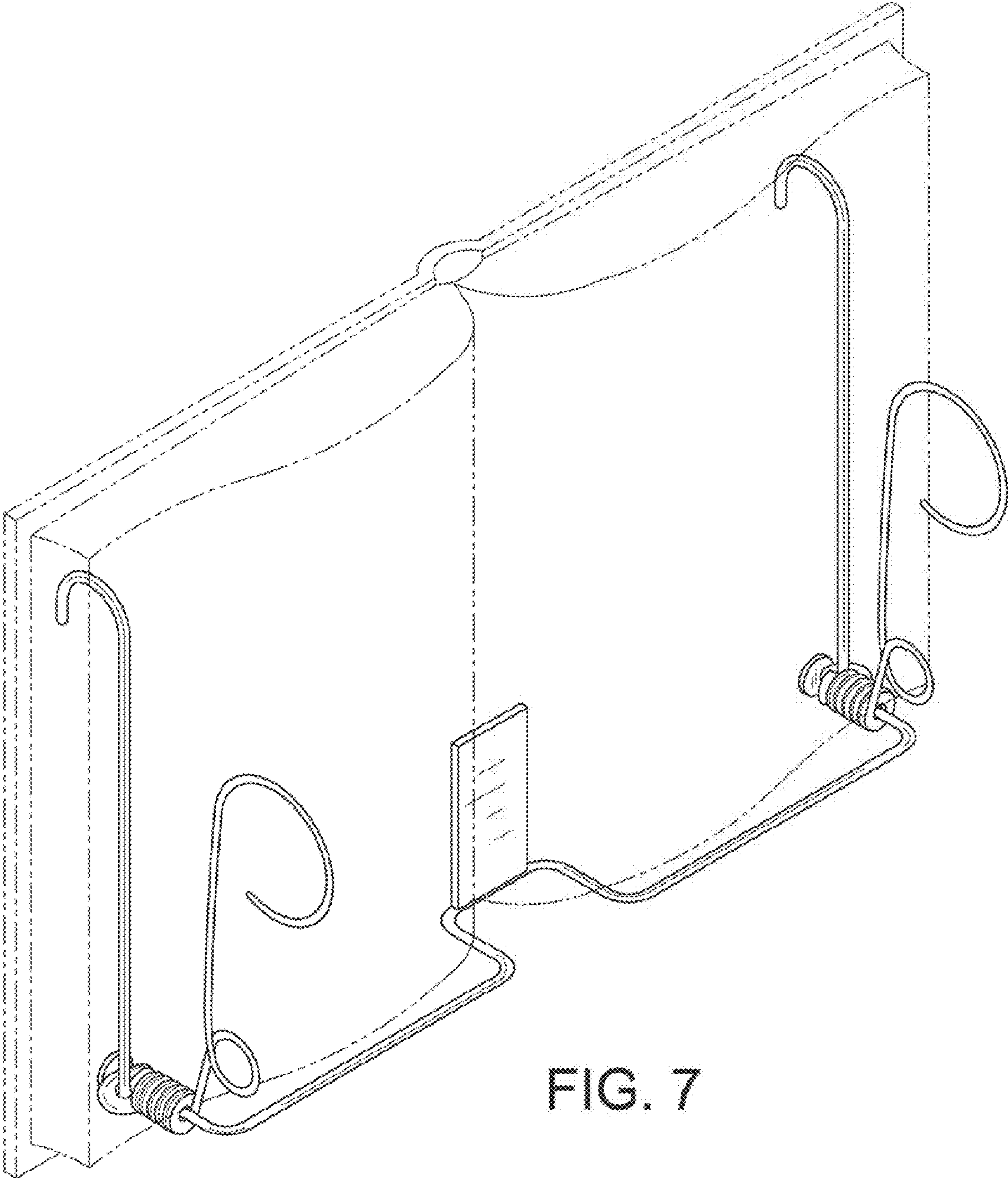


FIG. 7