



US00D614546S

(12) **United States Design Patent**
Bennett et al.

(10) **Patent No.:** **US D614,546 S**
(45) **Date of Patent:** **** Apr. 27, 2010**

(54) **COMBINED VEHICLE FRONT BUMPER AND GRILLE**

D606,464 S * 12/2009 Bennett et al. D12/169

(75) Inventors: **Jordan Bennett**, London (GB); **Mehmet Engin Okvuran**, Istanbul (TR); **Ayca Odabasi Uyanik**, Istanbul (TR)

* cited by examiner

Primary Examiner—Melody N Brown
(74) *Attorney, Agent, or Firm*—Frank A. MacKenzie; Brooks Kushman P.C.

(73) Assignees: **Ford Global Technologies, LLC**, Dearborn, MI (US); **Ford Otomotiv Sanayi Anonim Sirketi** (TR)

(57) **CLAIM**

The ornamental design for a combined vehicle front bumper and grille, as shown and described.

(**) Term: **14 Years**

(21) Appl. No.: **29/332,248**

DESCRIPTION

(22) Filed: **Feb. 11, 2009**

(51) **LOC (9) Cl.** **12-16**

(52) **U.S. Cl.** **D12/169**

(58) **Field of Classification Search** D12/169,
D12/196, 171, 216, 163, 86, 90-92; 293/102,
293/113, 115, 117, 120; 296/180.1, 180.2
See application file for complete search history.

FIG. 1 is a front/right side perspective of a combined vehicle front bumper and grille showing my new design;
FIG. 2 is a front/left side perspective view thereof;
FIG. 3 is another front/left side perspective view thereof;
FIG. 4 is a front/right side perspective view of a second embodiment of a combined vehicle front bumper and grille showing my new design;
FIG. 5 is a front/left side perspective view of FIG. 4; and,
FIG. 6 is another front/left side perspective view of FIG. 4.

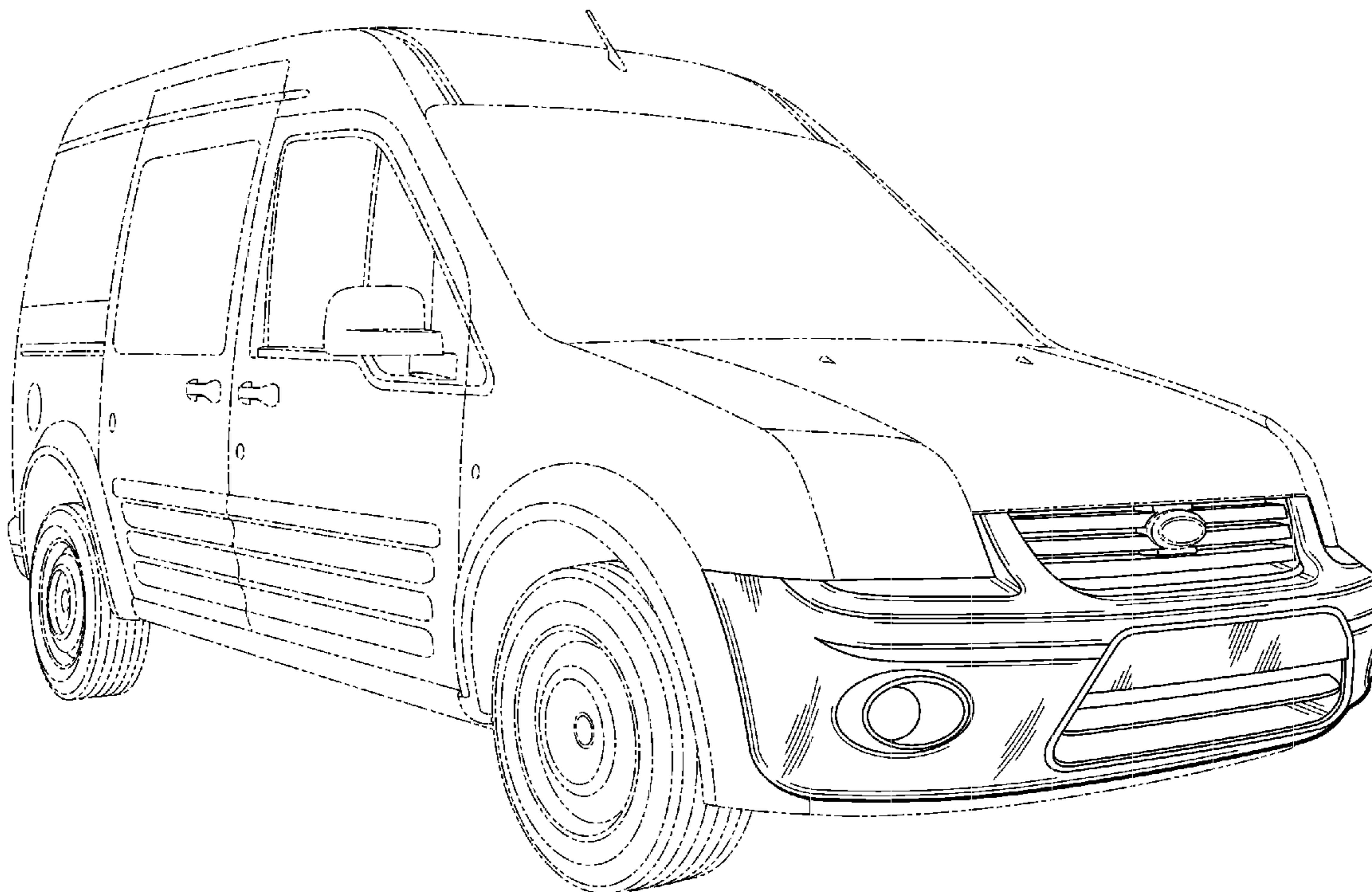
The portions shown in broken lines are included to show environment and form no part of the claimed design.

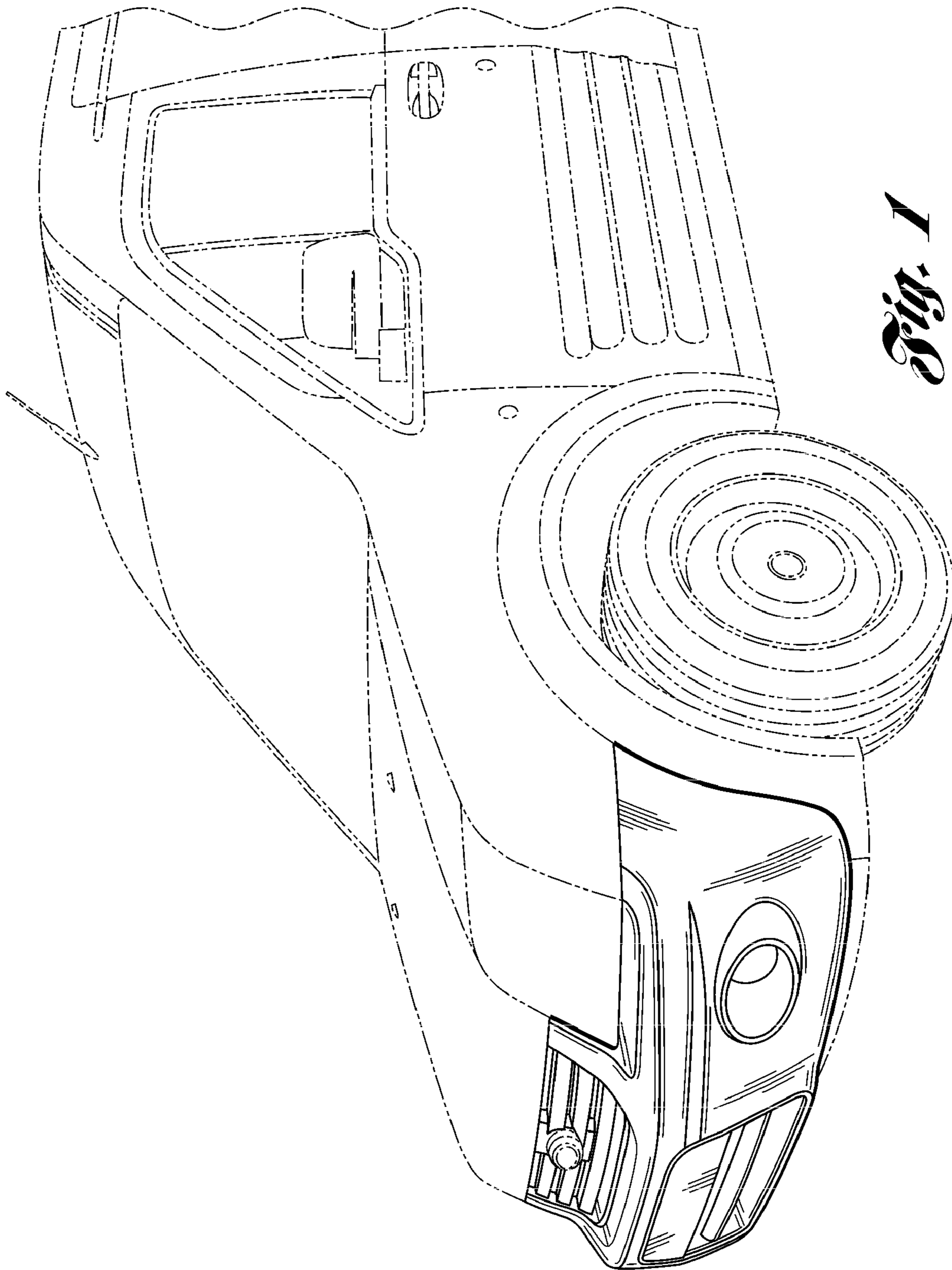
(56) **References Cited**

U.S. PATENT DOCUMENTS

- D580,318 S * 11/2008 Gueler et al. D12/169
- D603,309 S * 11/2009 Tada et al. D12/169
- D605,098 S * 12/2009 Bennett et al. D12/169

1 Claim, 6 Drawing Sheets





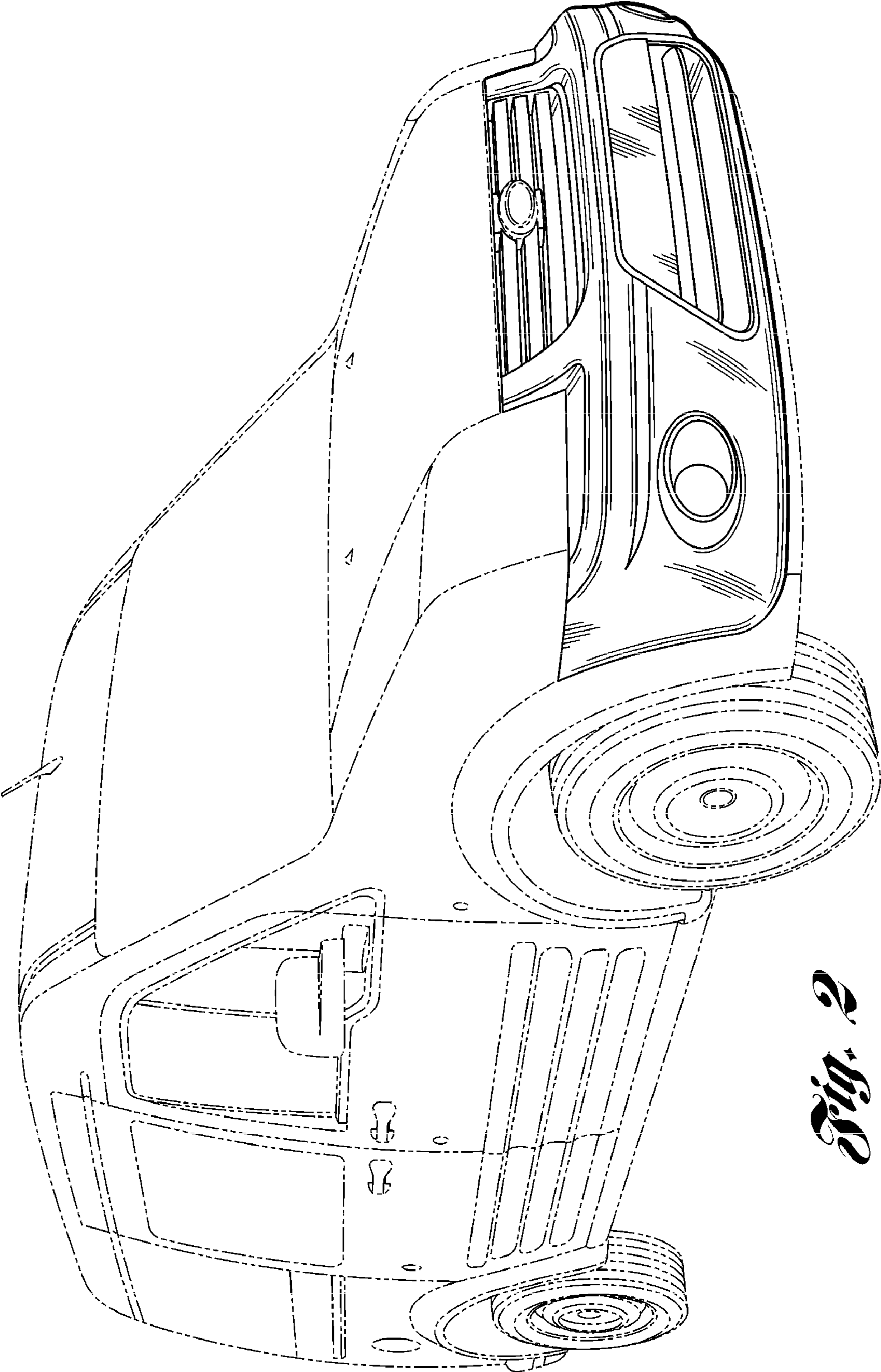


Fig. 2

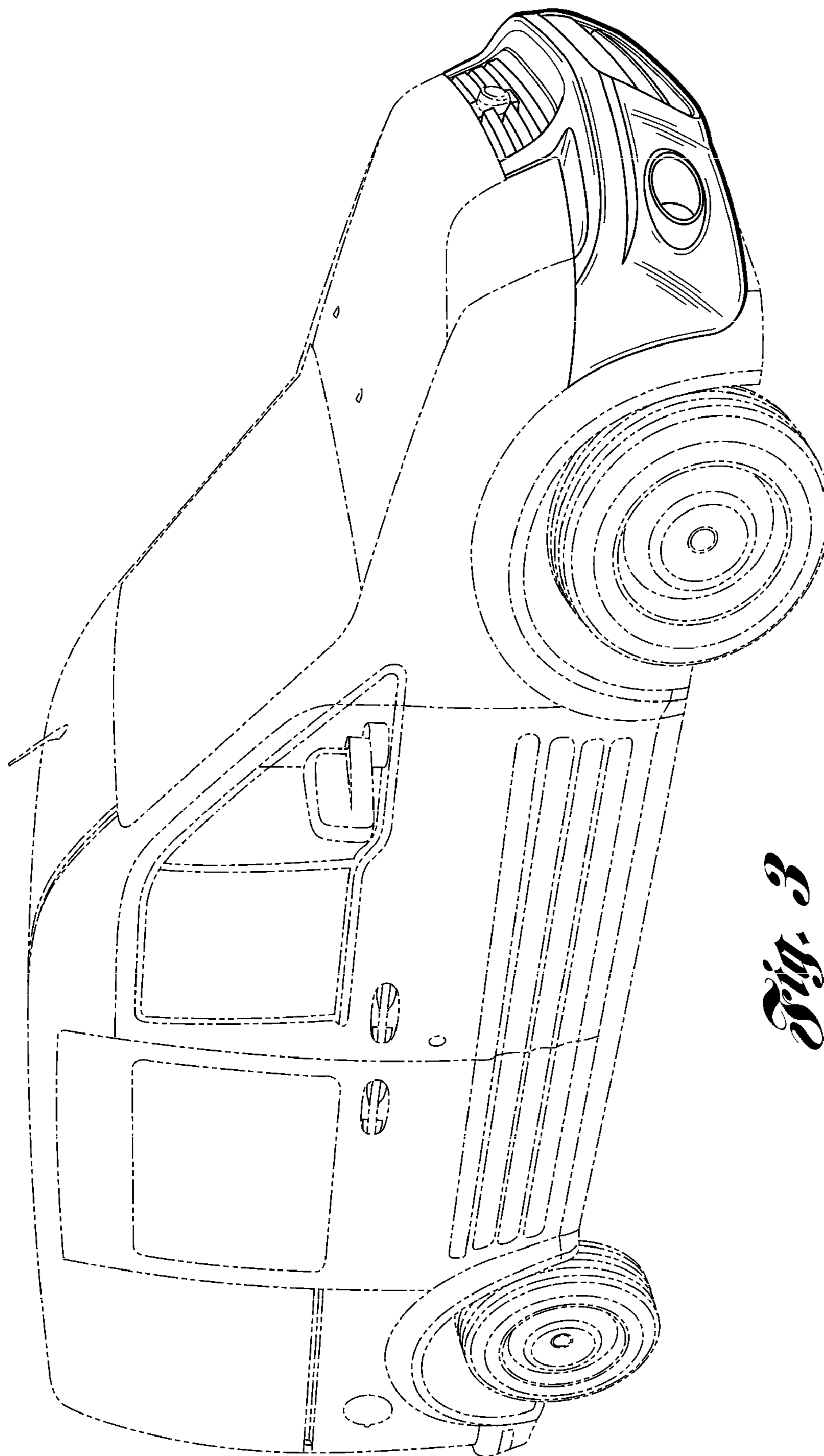


Fig. 3

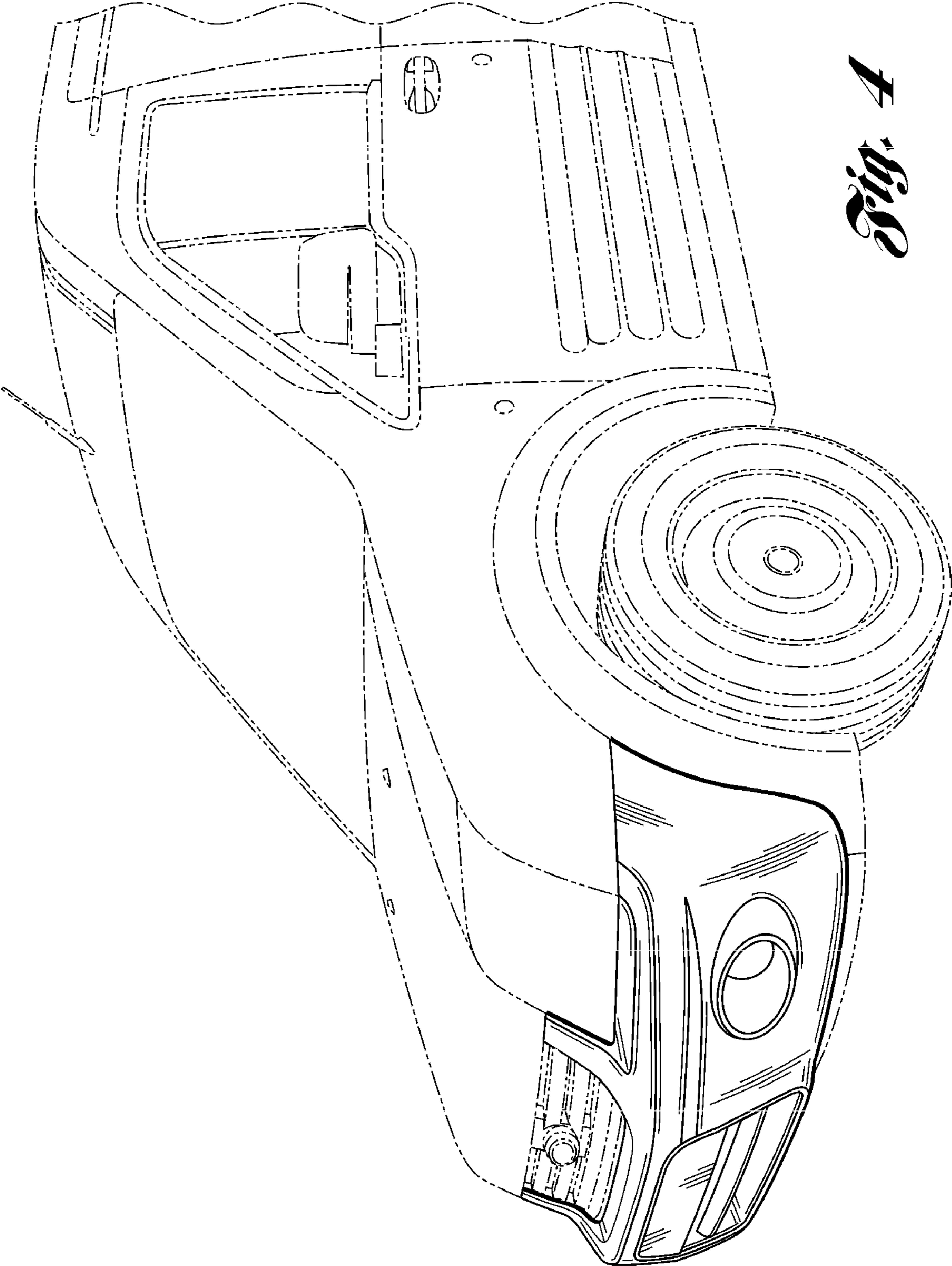


Fig. 4

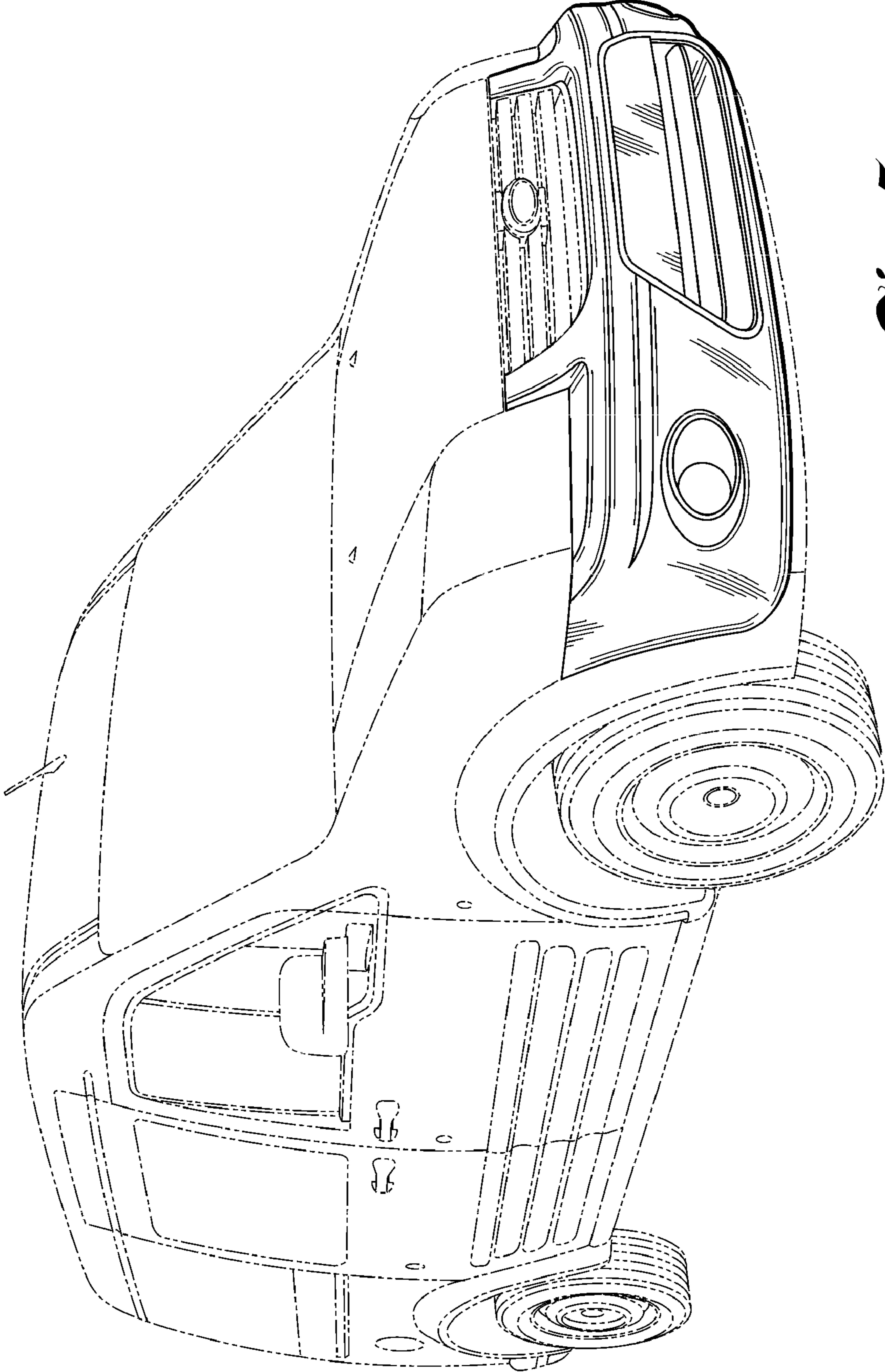


Fig. 5

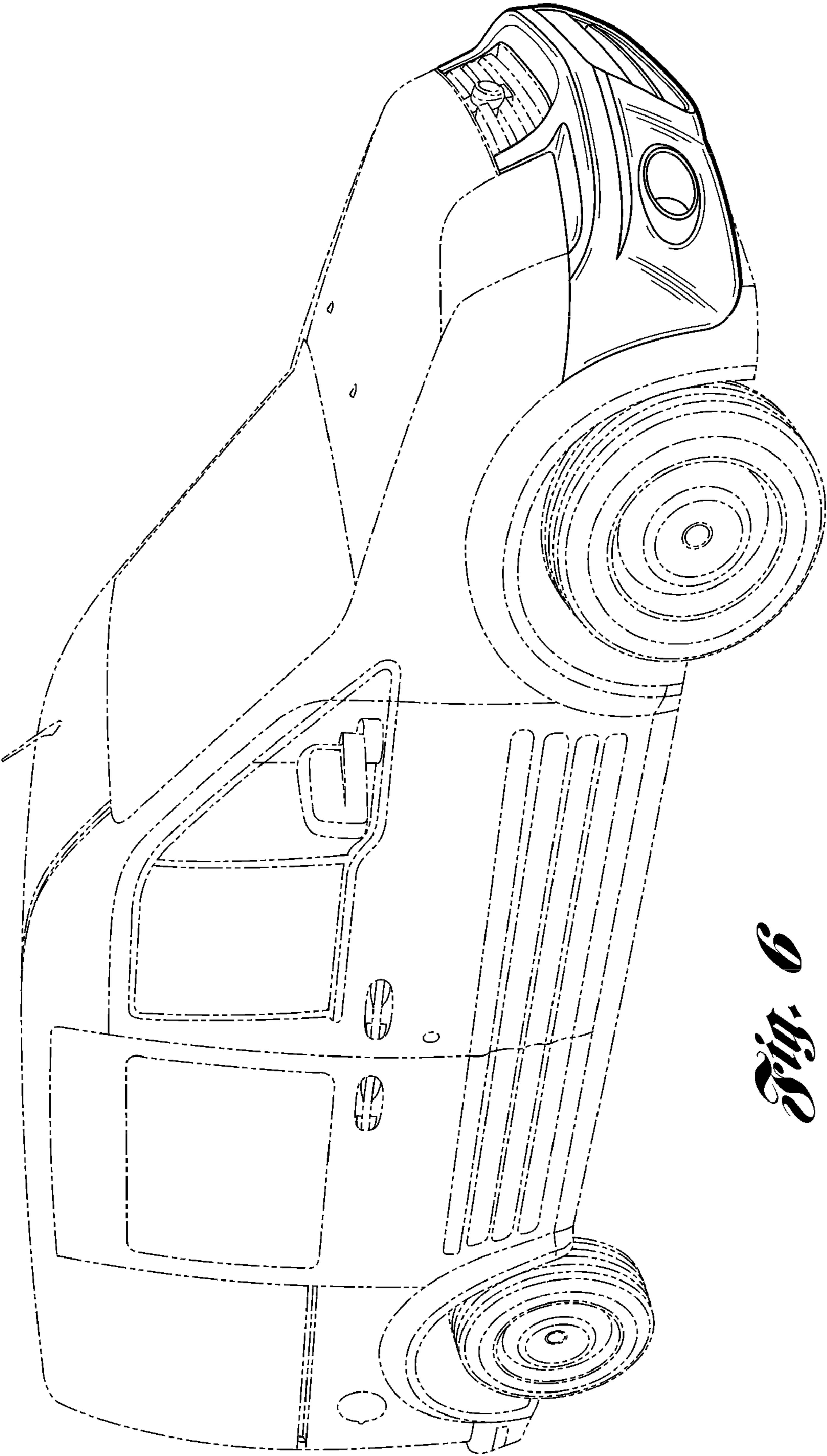


Fig. 6