



US00D614543S

(12) **United States Design Patent**
Kitazumi et al.

(10) **Patent No.:** **US D614,543 S**
(45) **Date of Patent:** **** Apr. 27, 2010**

(54) **FRONT GRILLE FOR AN AUTOMOBILE**

(75) Inventors: **Kazumi Kitazumi**, Toyota (JP); **Keisuke Sakamoto**, Toyota (JP)

(73) Assignee: **Toyota Jidosha Kabushiki Kaisha** (JP)

(**) Term: **14 Years**

(21) Appl. No.: **29/342,296**

(22) Filed: **Aug. 21, 2009**

(51) **LOC (9) Cl.** **12-16**

(52) **U.S. Cl.** **D12/163**

(58) **Field of Classification Search** D12/163,
D12/196, 90-92, 86, 171, 169, 216; 180/68.1,
180/68.6; 296/193.11

See application file for complete search history.

(56) **References Cited**

U.S. PATENT DOCUMENTS

D562,192 S *	2/2008	Kushima et al.	D12/163
D572,177 S *	7/2008	Nakamura et al.	D12/163
D579,829 S *	11/2008	Hokao et al.	D12/163
D580,309 S *	11/2008	Walter et al.	D12/163
D580,311 S *	11/2008	Gueler et al.	D12/163
D592,563 S *	5/2009	Asakura et al.	D12/163

OTHER PUBLICATIONS

Lexus LX, www.netcarshow.com, available at least as early as Aug. 4, 2009.

Toyota Venza, www.netcarshow.com, available at least as early as Aug. 4, 2009.

Land Cruiser 100, Catalogue of Land Cruiser 100, Aug. 2003, Toyota Jidosha Kabushiki Kaisha.

* cited by examiner

Primary Examiner—Melody N Brown

(74) *Attorney, Agent, or Firm*—Saidman DesignLaw Group

(57) **CLAIM**

The ornamental design for a front grille for an automobile, as shown and described.

DESCRIPTION

FIG. 1 is a front perspective view of a front grille for an automobile showing our new design;

FIG. 2 is a front view thereof;

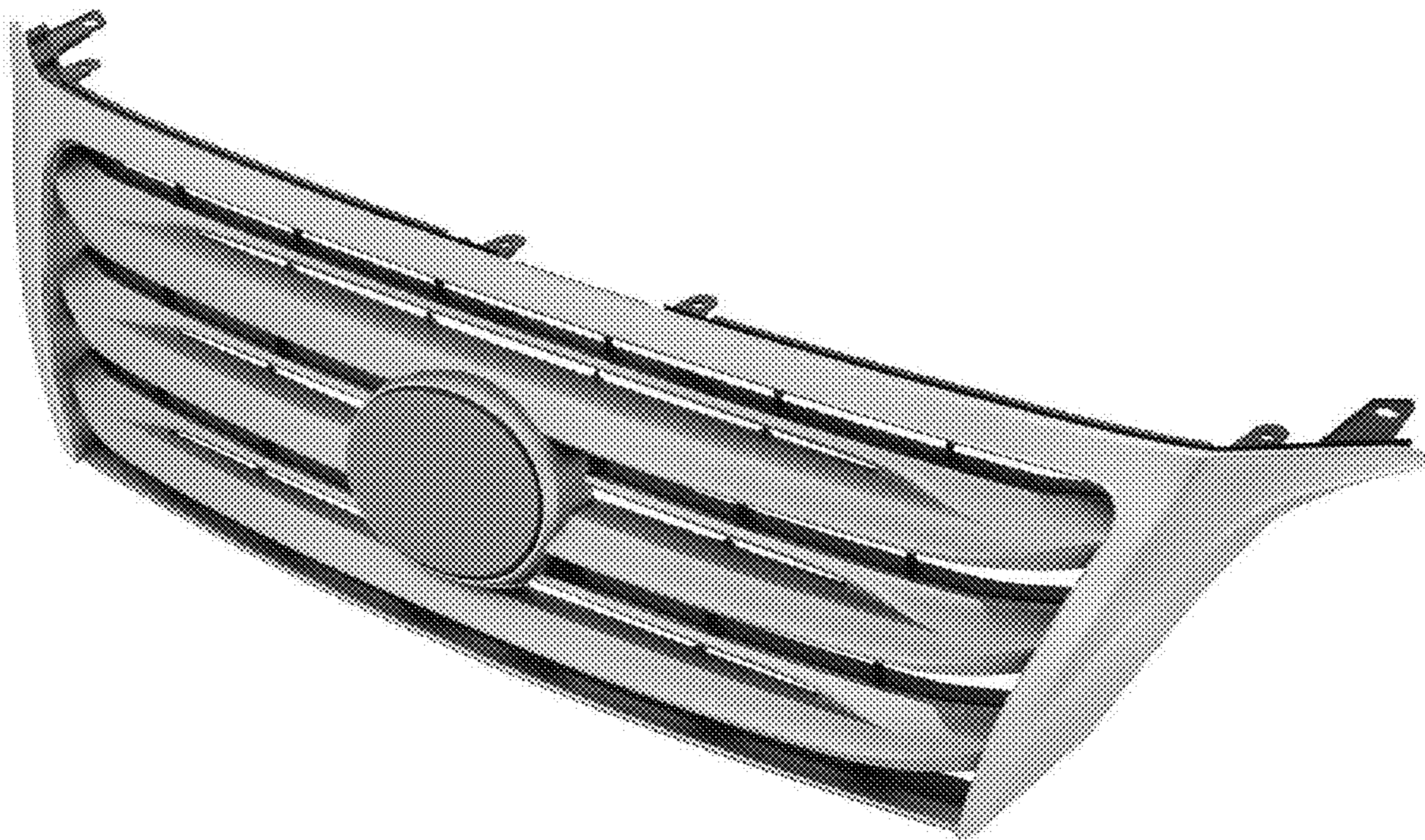
FIG. 3 is a top view thereof;

FIG. 4 is a bottom view thereof;

FIG. 5 is a right-side view thereof; and,

FIG. 6 is a left-side view thereof.

1 Claim, 2 Drawing Sheets



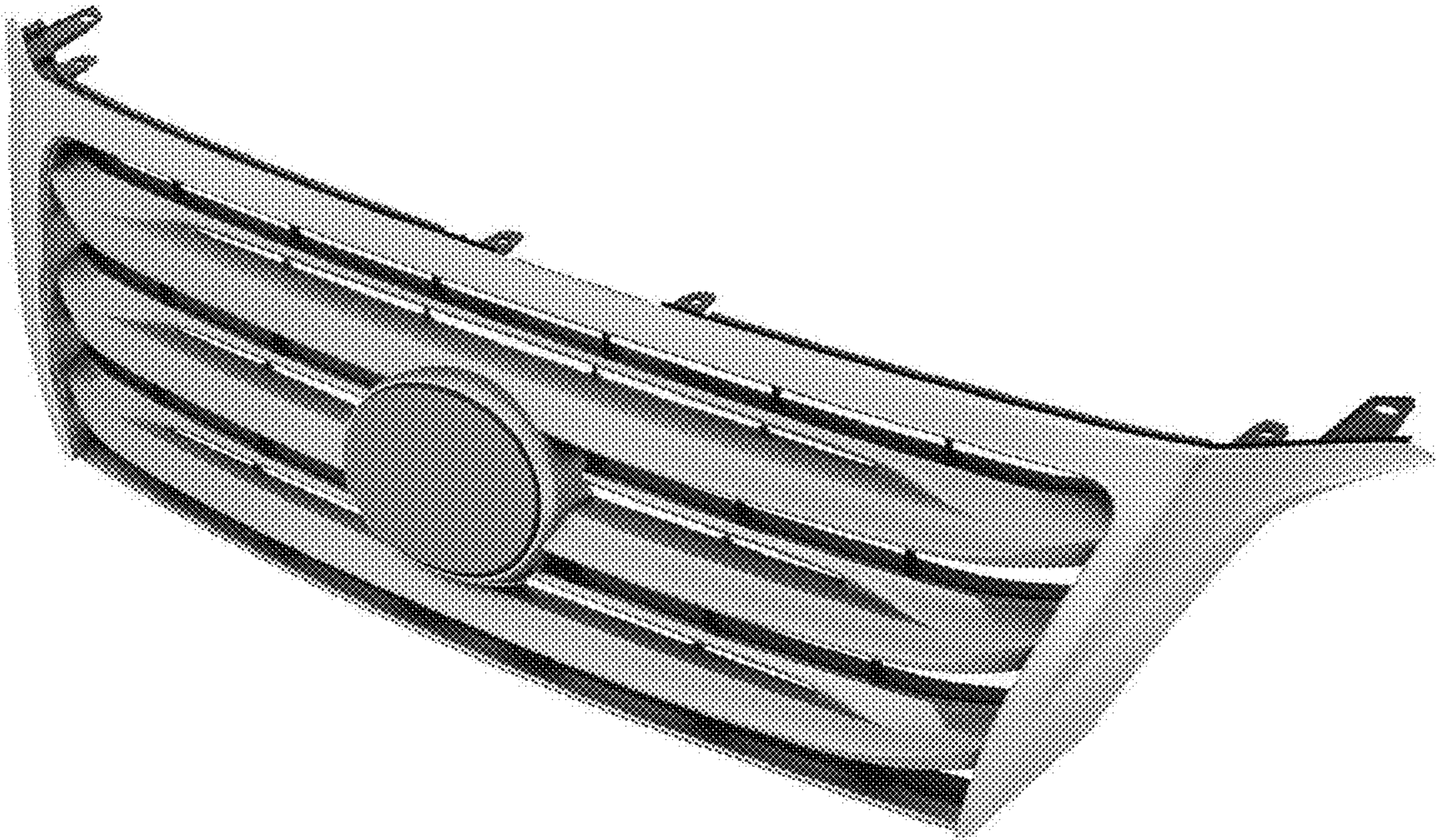


FIG. 1

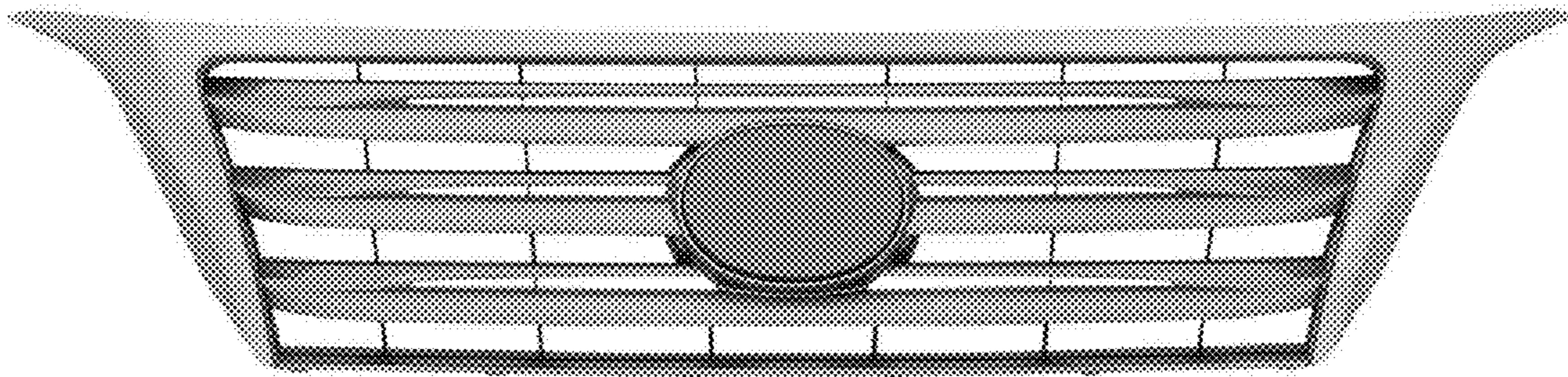


FIG. 2

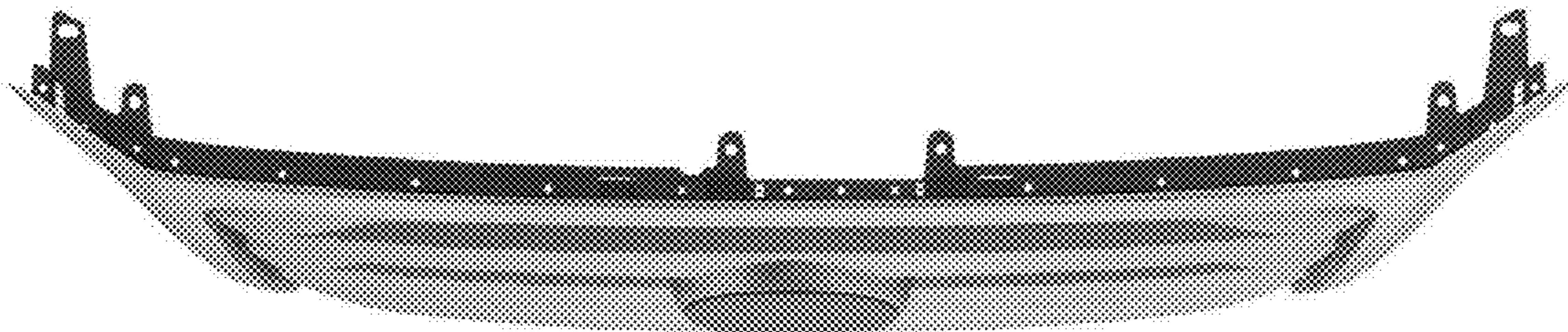


FIG. 3

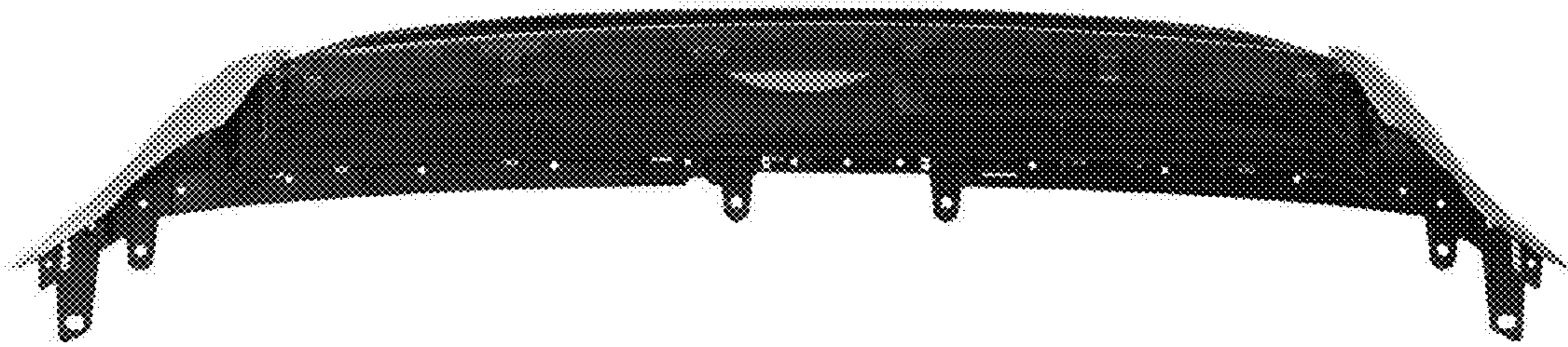


FIG. 4

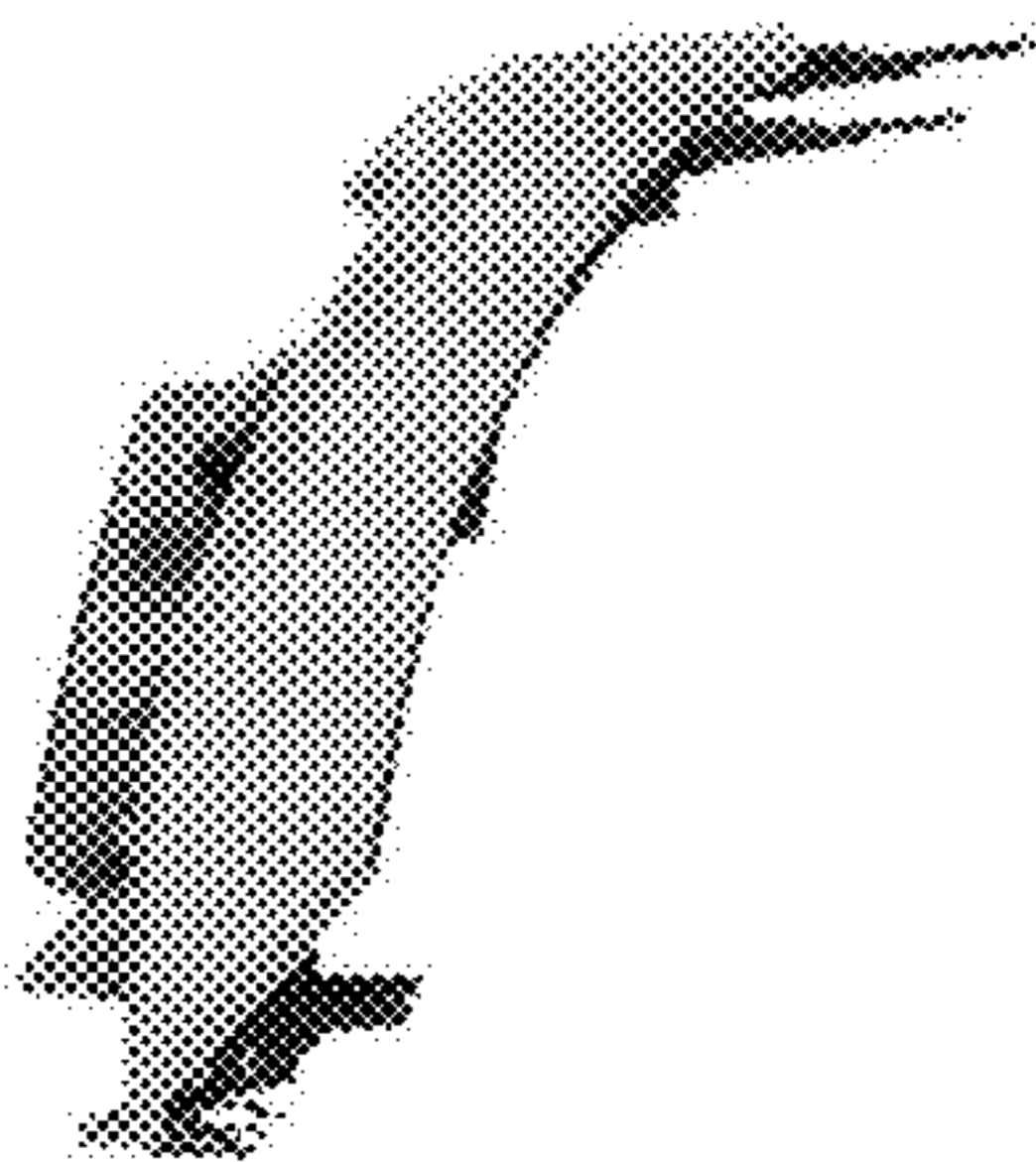


FIG. 5

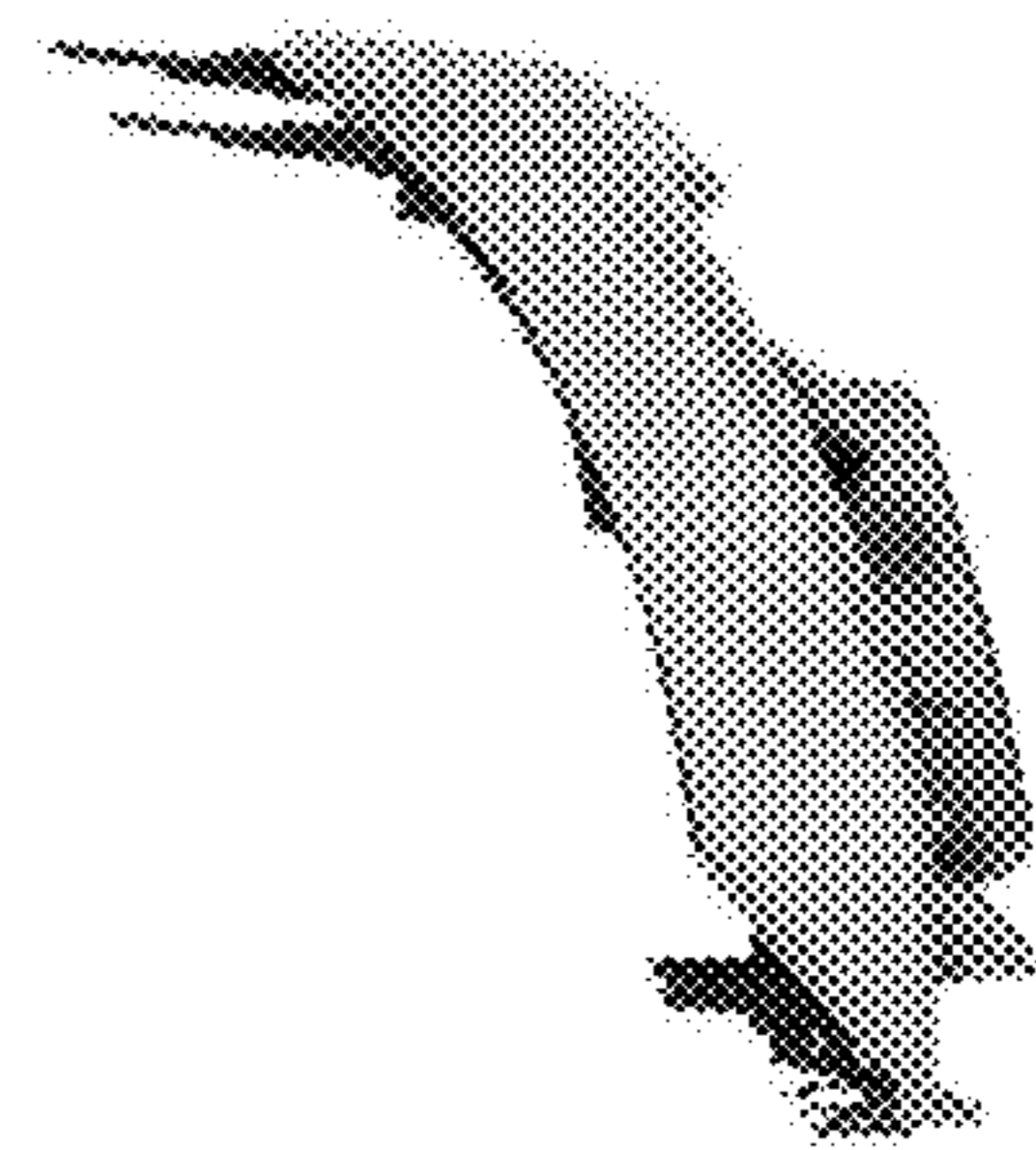


FIG. 6