



US00D614537S

(12) **United States Design Patent**  
**Cheng et al.**

(10) **Patent No.:** **US D614,537 S**  
(45) **Date of Patent:** **\*\* Apr. 27, 2010**

(54) **ALL TERRAIN VEHICLE**

(75) Inventors: **Tao Cheng**, Chongqing (CN); **Benwei Yang**, Chongqing (CN)

(73) Assignee: **Loncin Industry Co., Ltd**, Chongqing (CN)

(\*\*) Term: **14 Years**

(21) Appl. No.: **29/331,539**

(22) Filed: **Jan. 27, 2009**

(51) **LOC (9) Cl.** ..... **12-11**

(52) **U.S. Cl.** ..... **D12/107**

(58) **Field of Classification Search** ..... D12/3,  
D12/86, 87, 107, 110; 180/223, 225, 233,  
180/311, 312, 315, 229

See application file for complete search history.

(56) **References Cited**

**U.S. PATENT DOCUMENTS**

D512,001 S \* 11/2005 Kato et al. .... D12/107  
D515,978 S \* 2/2006 Luh ..... D12/107

D517,450 S \* 3/2006 Wu ..... D12/107  
D529,413 S \* 10/2006 Basset et al. .... D12/107  
D580,301 S \* 11/2008 Schroeder et al. .... D12/107

\* cited by examiner

*Primary Examiner*—Philip S Hyder  
*Assistant Examiner*—Linda G. Brooks

(74) *Attorney, Agent, or Firm*—Sawyer Law Group, P.C.

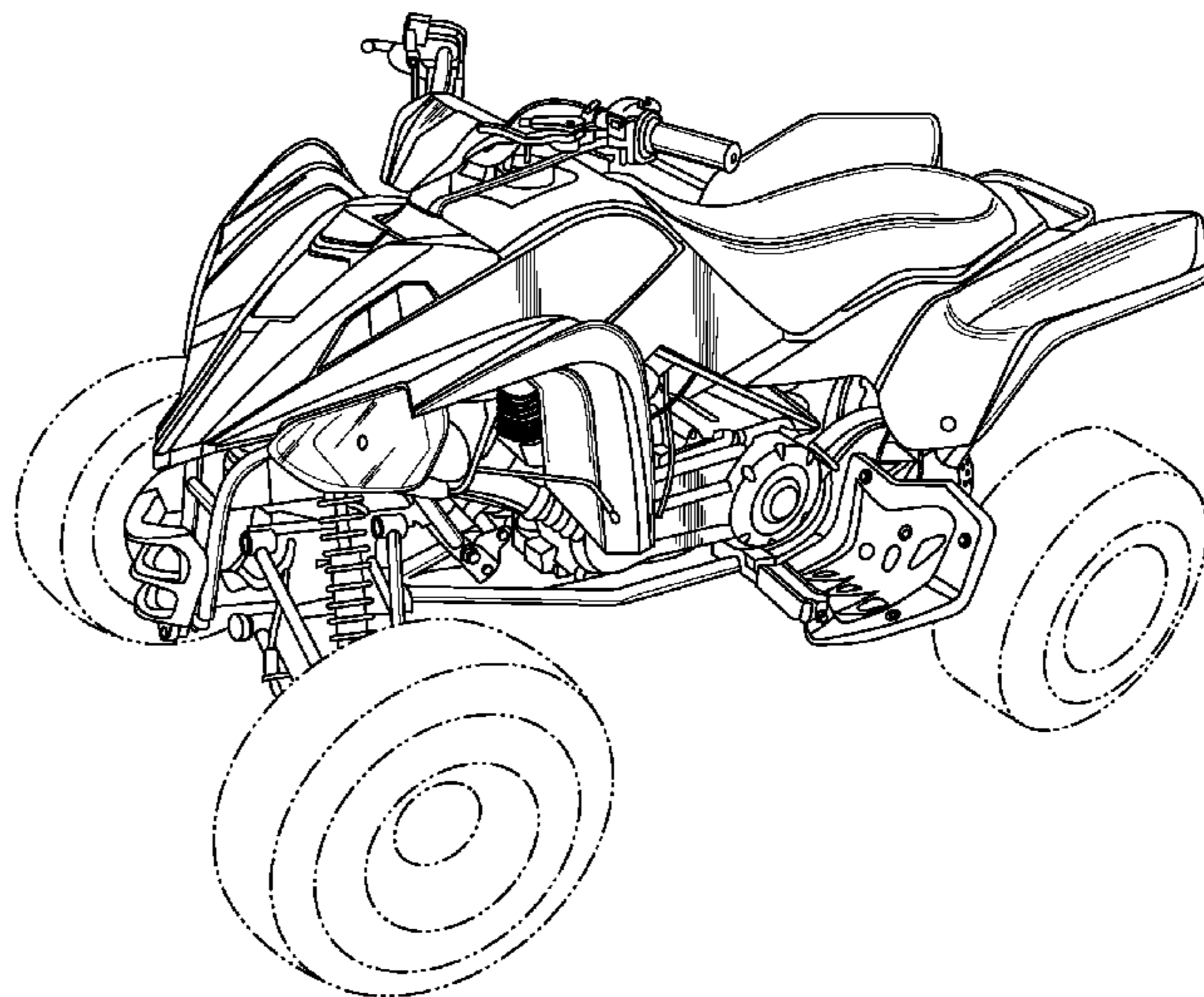
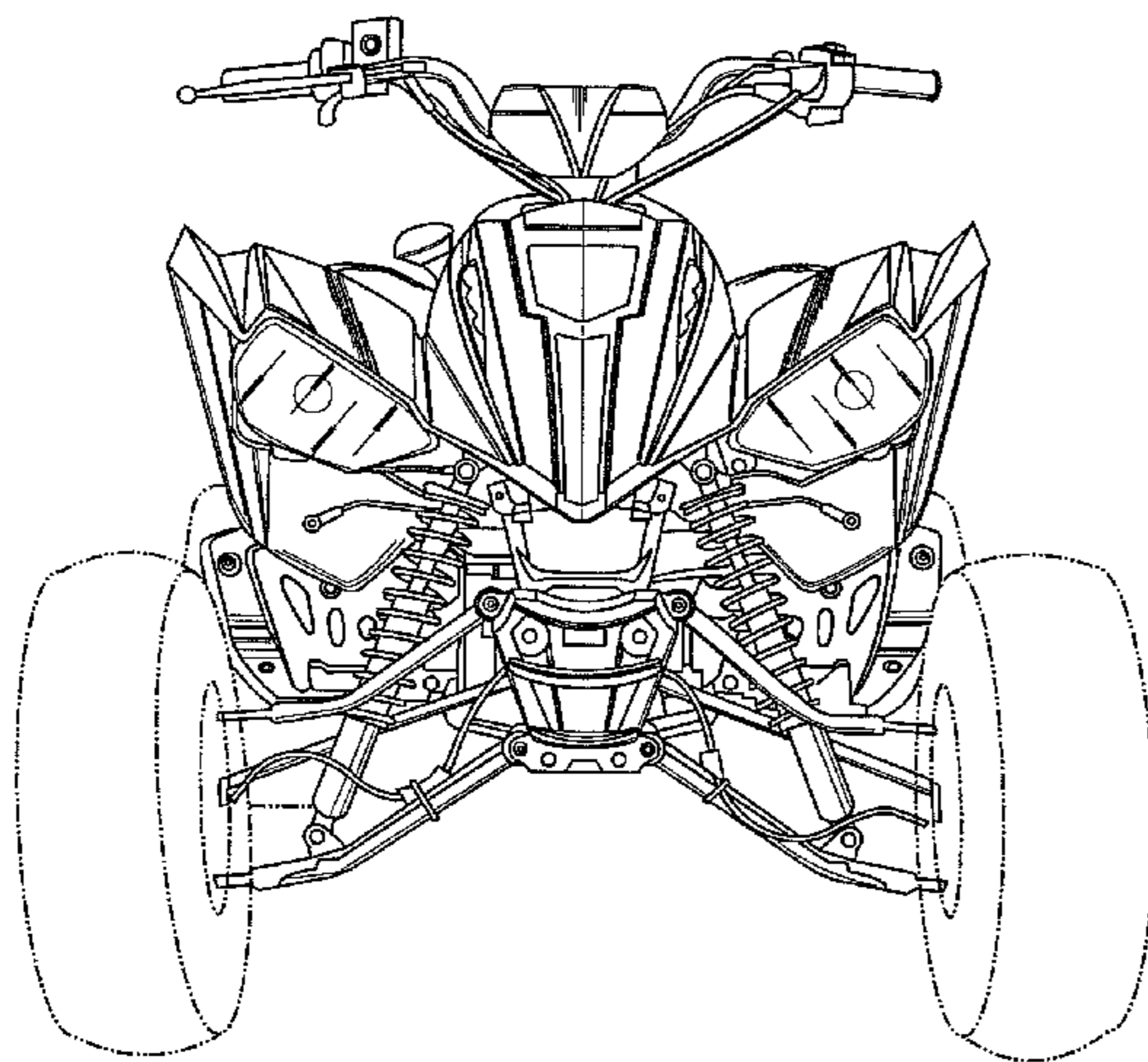
(57) **CLAIM**

The ornamental design for an all terrain vehicle, as shown and described.

**DESCRIPTION**

FIG. 1 is a left side view of the all terrain vehicle.  
FIG. 2 is a right side view of the all terrain vehicle.  
FIG. 3 is a front view of the all terrain vehicle.  
FIG. 4 is a rear view of the all terrain vehicle.  
FIG. 5 is a top view of the all terrain vehicle; and,  
FIG. 6 is a side perspective view of the all terrain vehicle.

**1 Claim, 6 Drawing Sheets**



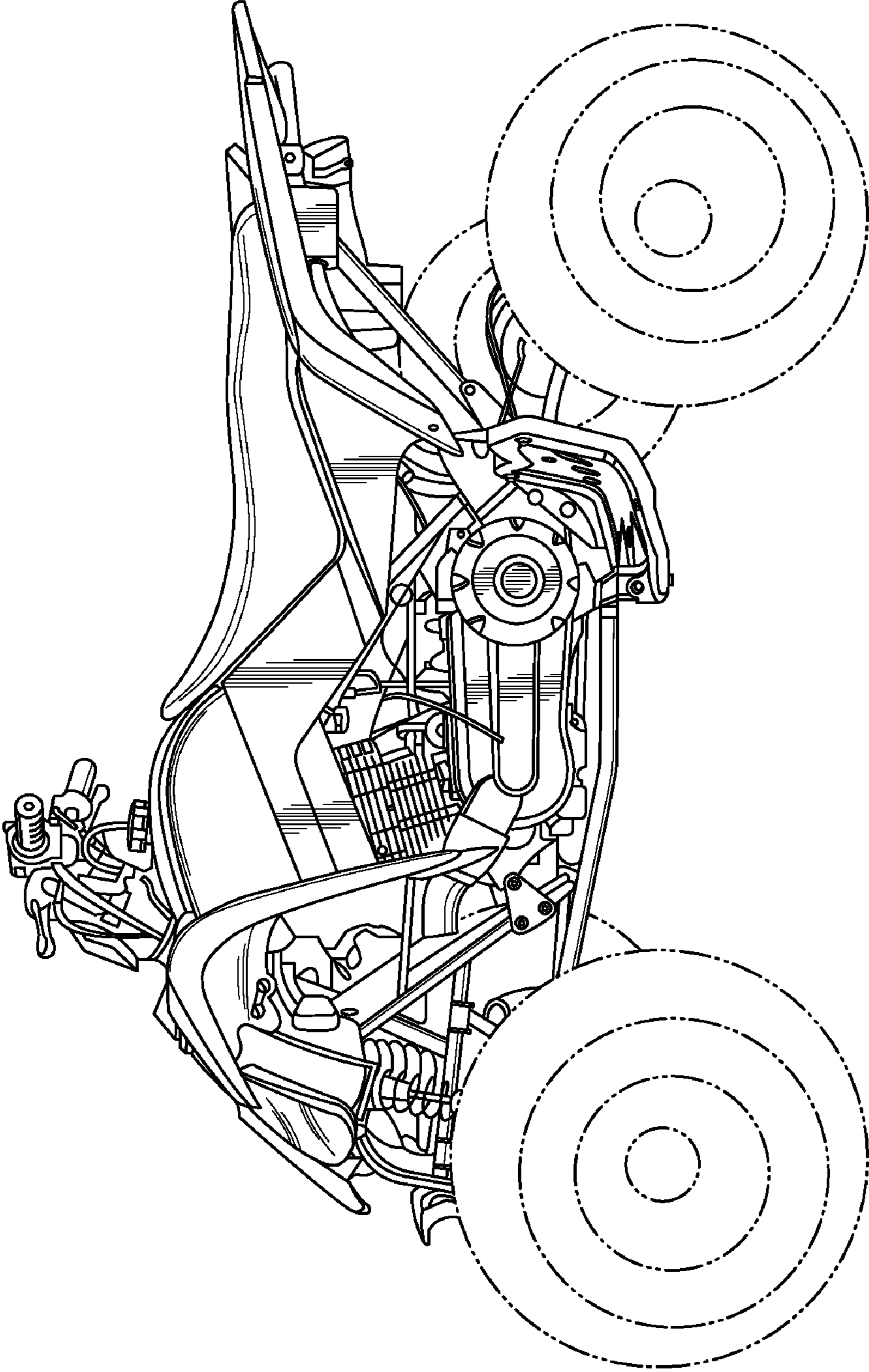


FIG. 1

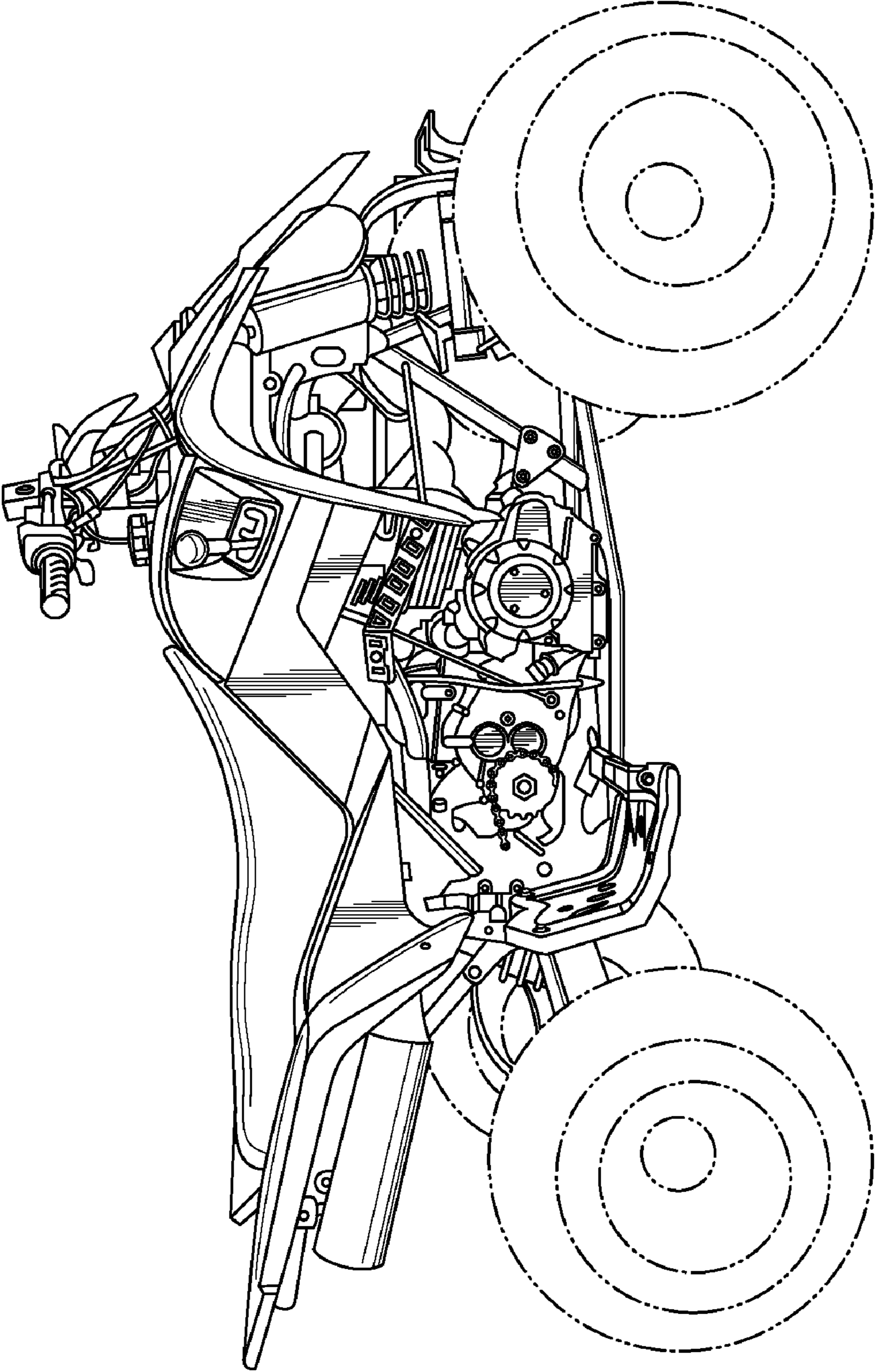


FIG. 2



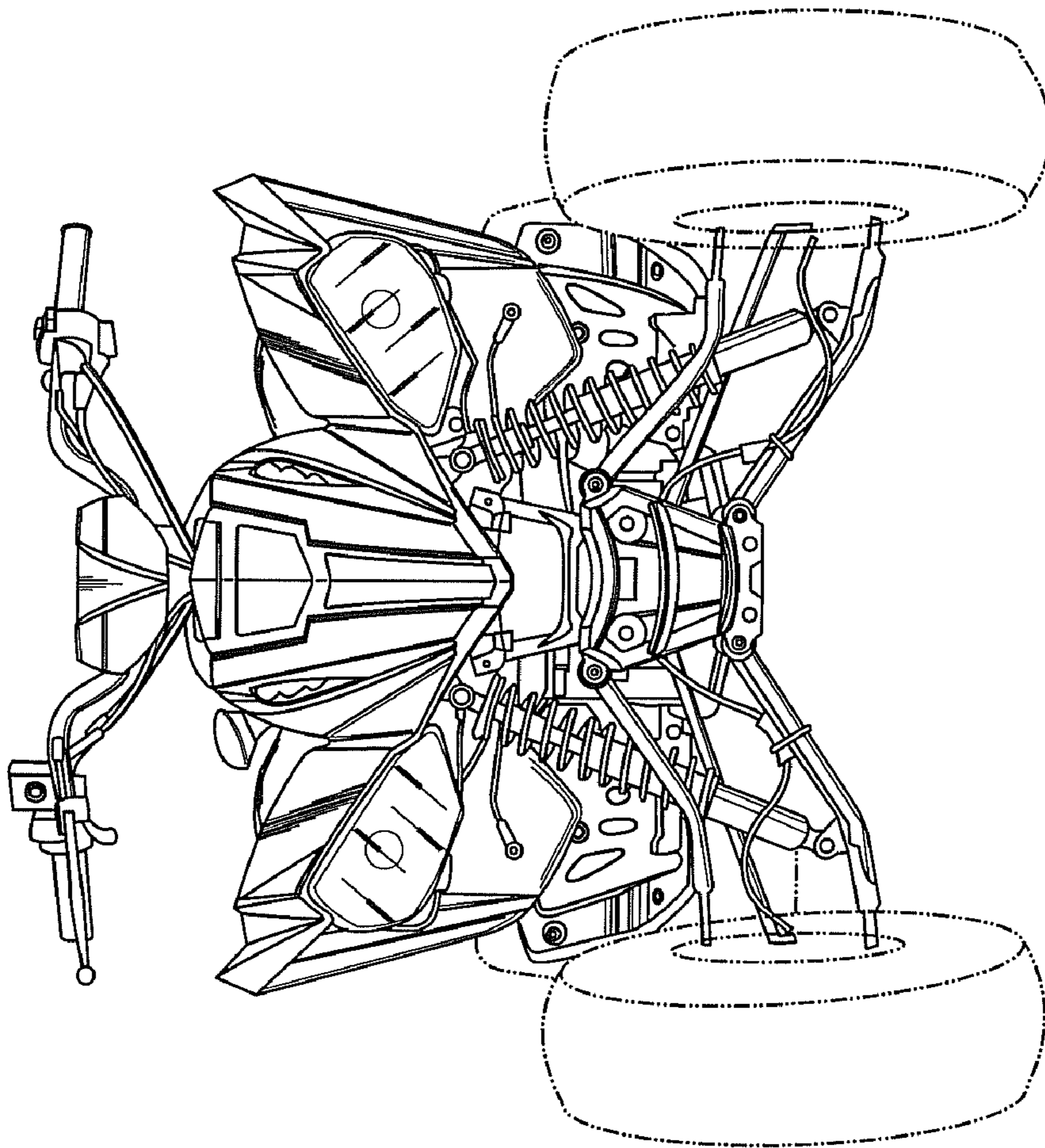


FIG. 3

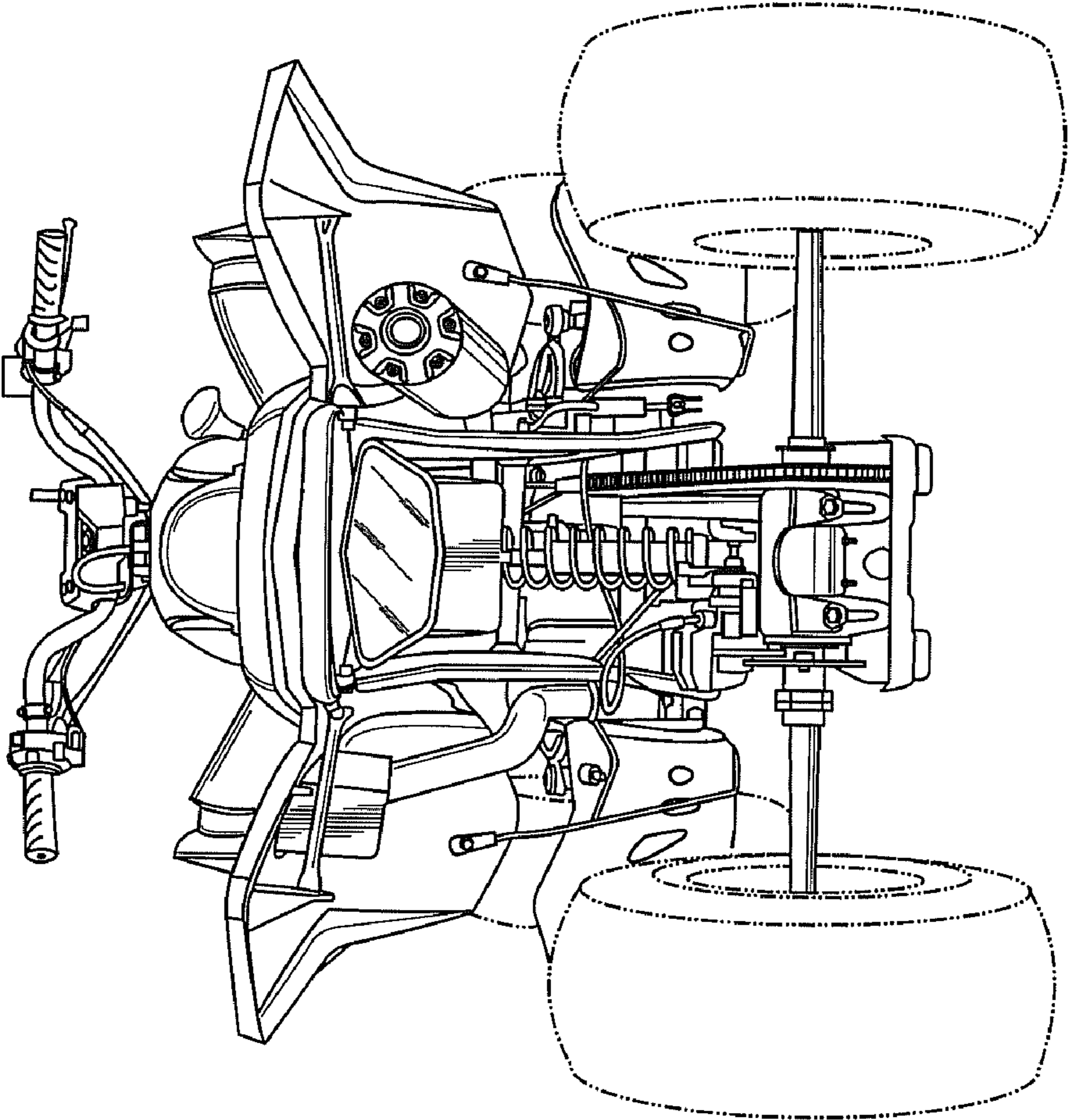


FIG. 4

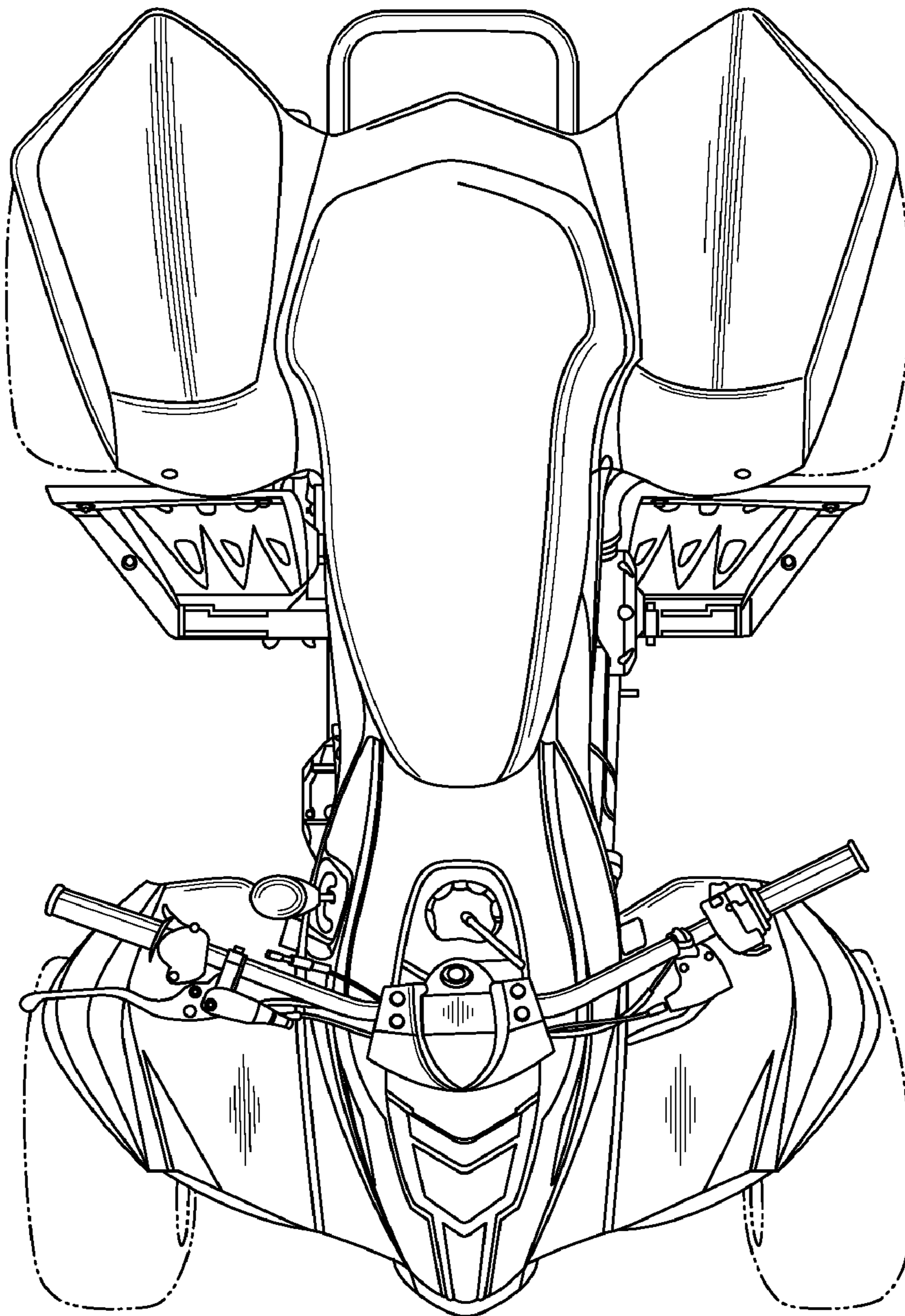


FIG. 5

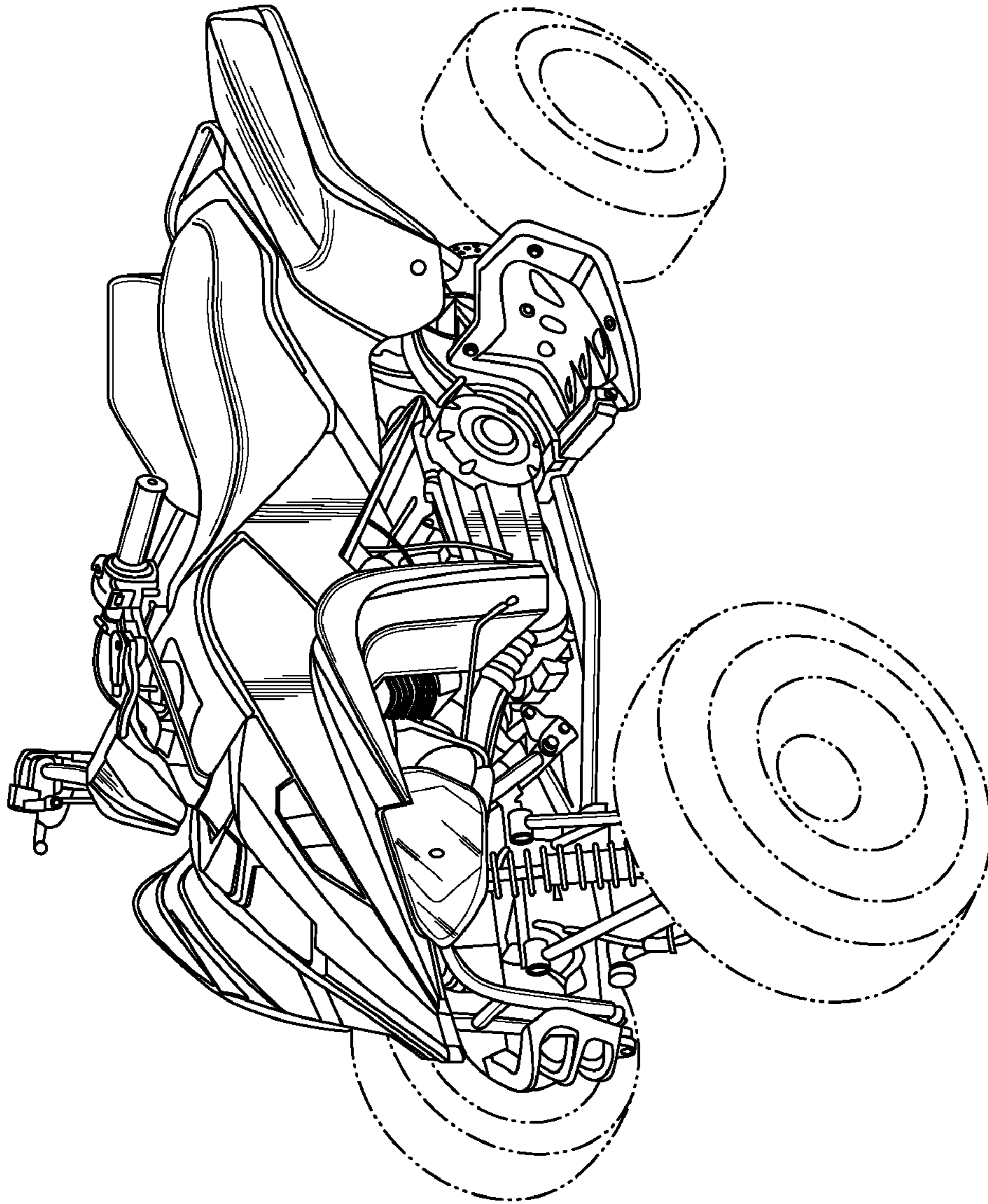


FIG. 6



UNITED STATES PATENT AND TRADEMARK OFFICE  
**CERTIFICATE OF CORRECTION**

PATENT NO. : Des. 614,537 S  
APPLICATION NO. : 29/331539  
DATED : April 27, 2010  
INVENTOR(S) : Tao Cheng and Benwei Yang

Page 1 of 1

It is certified that error appears in the above-identified patent and that said Letters Patent is hereby corrected as shown below:

Title Page, Column 1, Item (73) Assignee:

Delete "Chongging (CN)", and replace with -- Chongqing (CN) --

Signed and Sealed this

Third Day of August, 2010

A handwritten signature in black ink that reads "David J. Kappos". The signature is written in a cursive, flowing style.

David J. Kappos  
*Director of the United States Patent and Trademark Office*