



US00D614536S

(12) **United States Design Patent**
Schneider

(10) **Patent No.:** **US D614,536 S**

(45) **Date of Patent:** **** Apr. 27, 2010**

(54) **ELECTRIC VAN**

D567,713 S * 4/2008 Ohishi et al. D12/91

(75) Inventor: **Steven Schneider**, Santa Rosa, CA (US)

* cited by examiner

(73) Assignee: **ZAP**, Santa Rosa, CA (US)

Primary Examiner—Melody N Brown
(74) *Attorney, Agent, or Firm*—Tran & Associates

(**) Term: **14 Years**

(21) Appl. No.: **29/343,082**

(22) Filed: **Sep. 5, 2009**

(51) **LOC (9) Cl.** **12-08**

(52) **U.S. Cl.** **D12/99**

(58) **Field of Classification Search** D12/86,
D12/90–92, 99, 100; D21/424, 434, 581;
296/181.1, 181.5, 156

See application file for complete search history.

(56) **References Cited**

U.S. PATENT DOCUMENTS

D296,915 S *	7/1988	Matsumoto	D21/581
D297,626 S *	9/1988	London et al.	D12/90
D356,057 S *	3/1995	Sacco et al.	D12/99
D419,921 S *	2/2000	Mishler	D12/99
D477,795 S *	7/2003	Warkuss et al.	D12/91

(57) **CLAIM**

The ornamental design for an electric van, as shown and described.

DESCRIPTION

FIG. 1 is a front perspective view of an electric van showing my new design;

FIG. 2 is a right side elevation view thereof;

FIG. 3 is a front elevation view thereof;

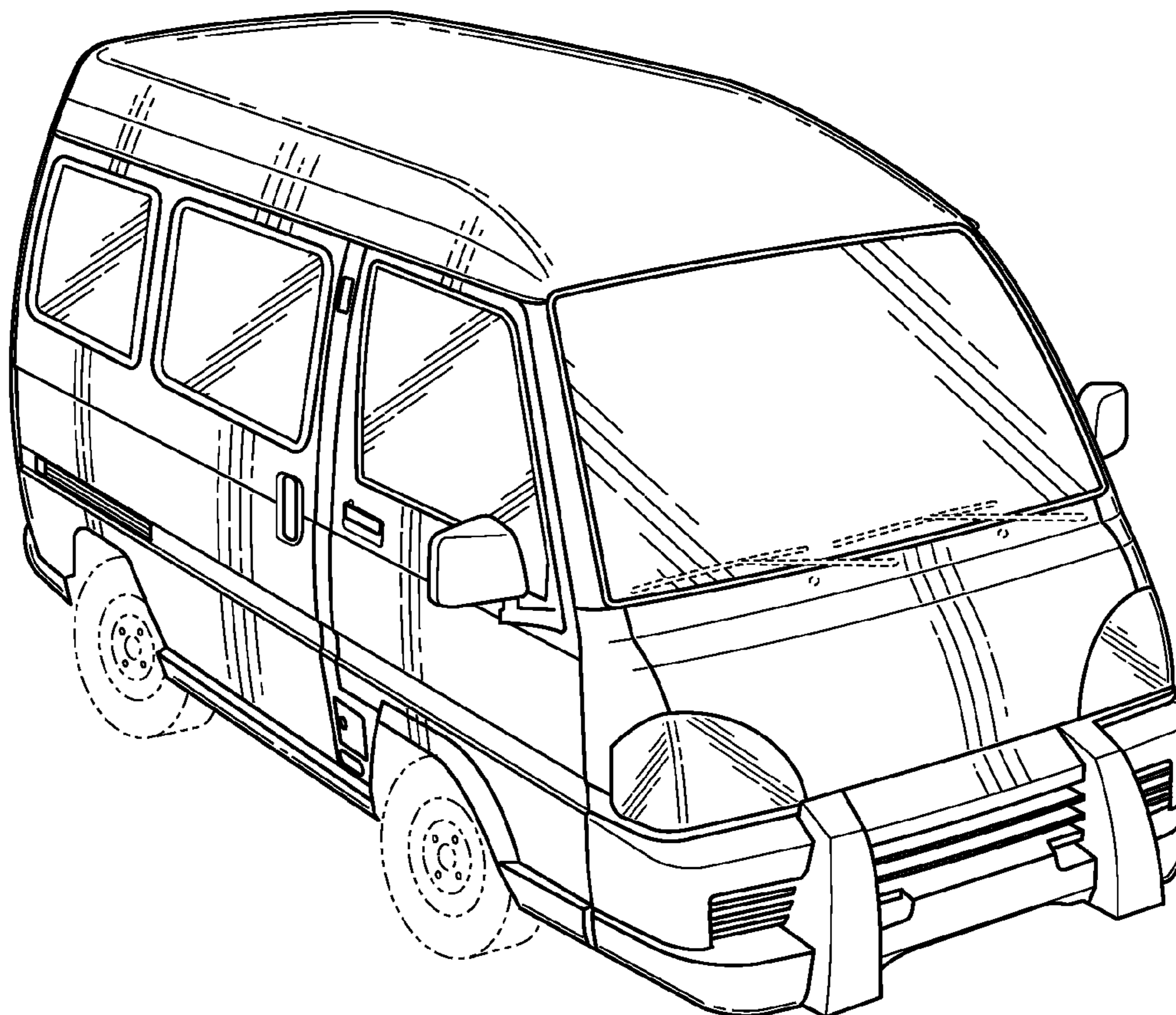
FIG. 4 is a rear elevation view thereof;

FIG. 5 is a top plan view thereof; and,

FIG. 6 is a bottom plan view thereof.

The broken lines are shown for illustrative purposes only and form no part of the claimed design.

1 Claim, 6 Drawing Sheets



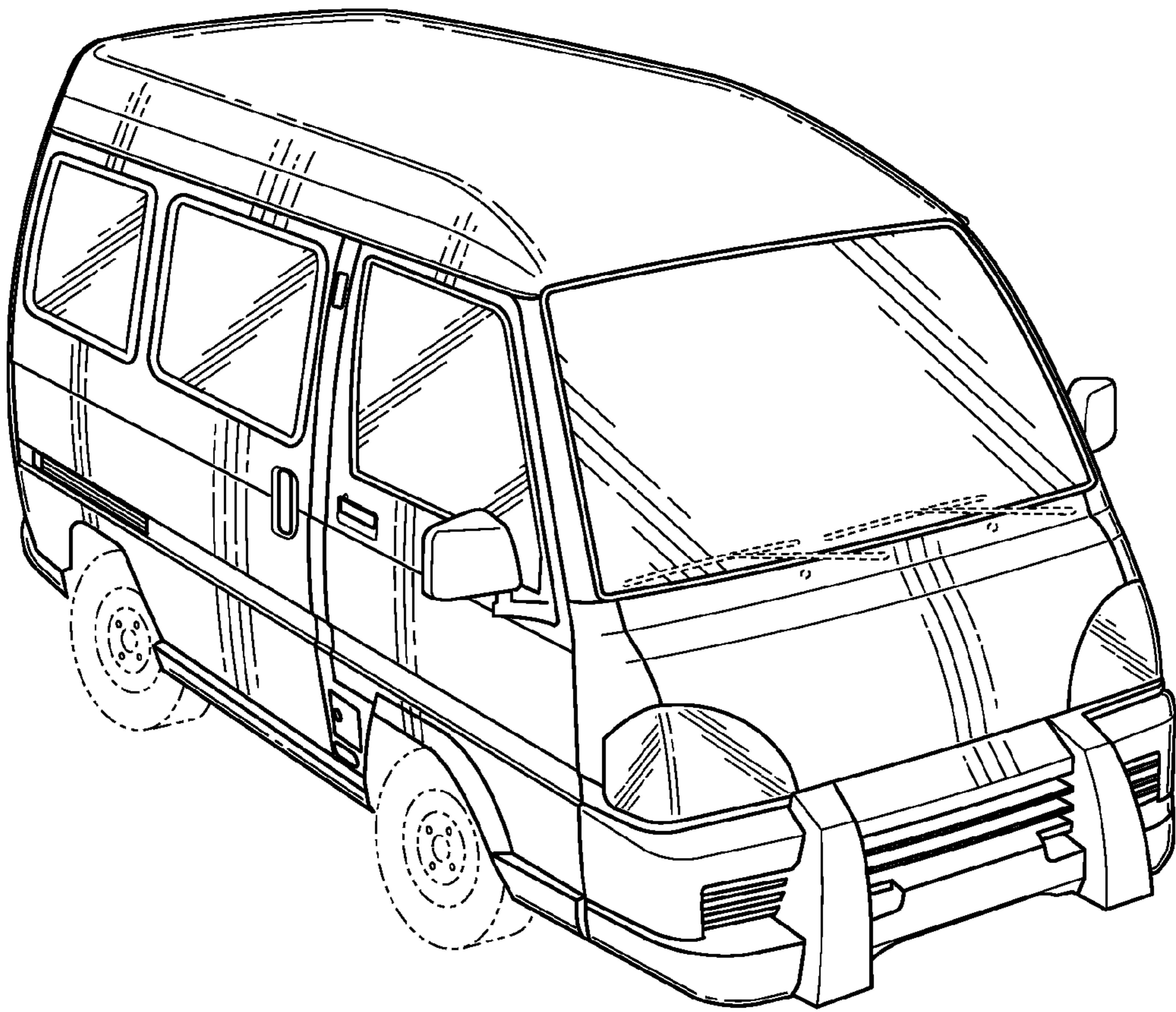


FIG. 1

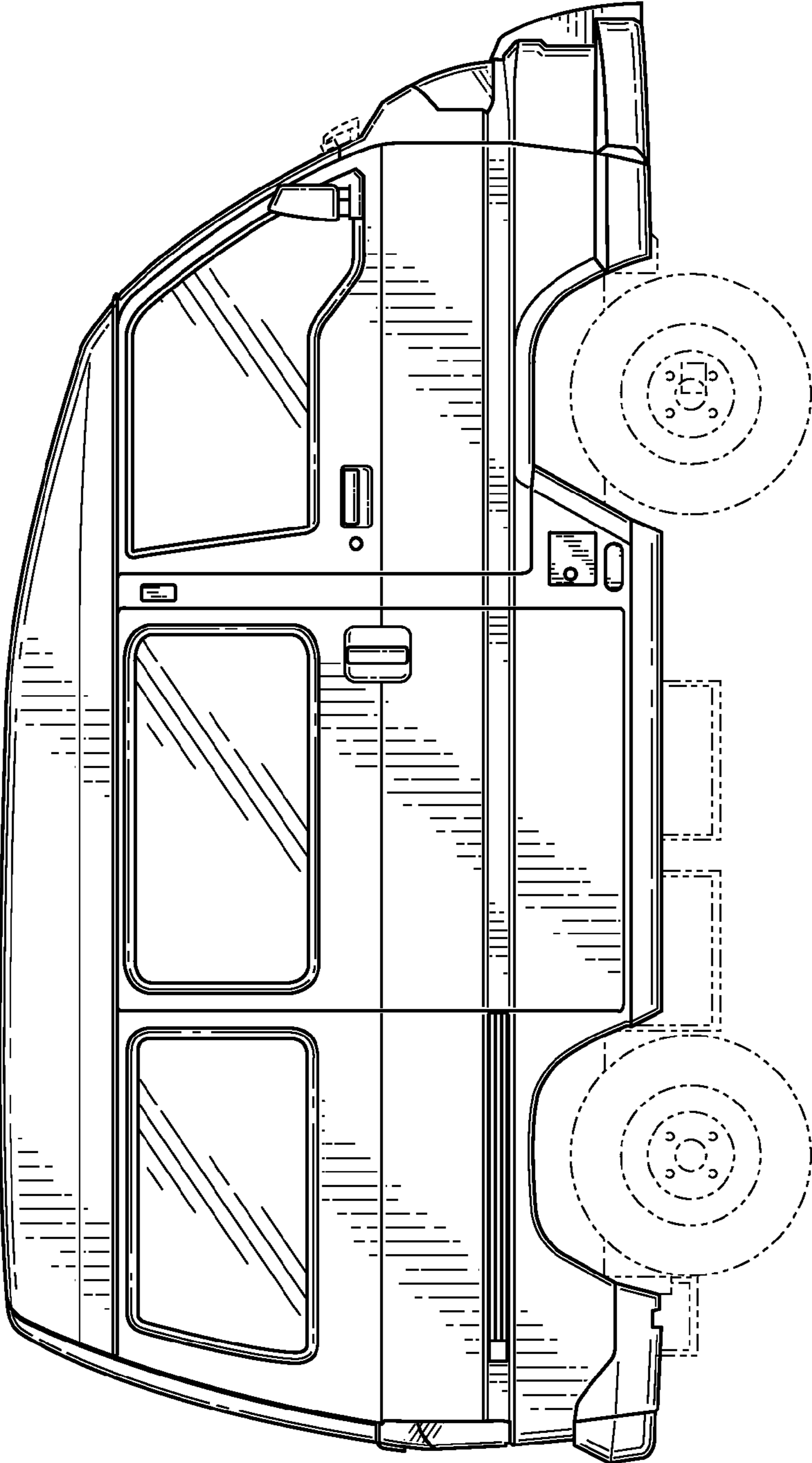


FIG. 2

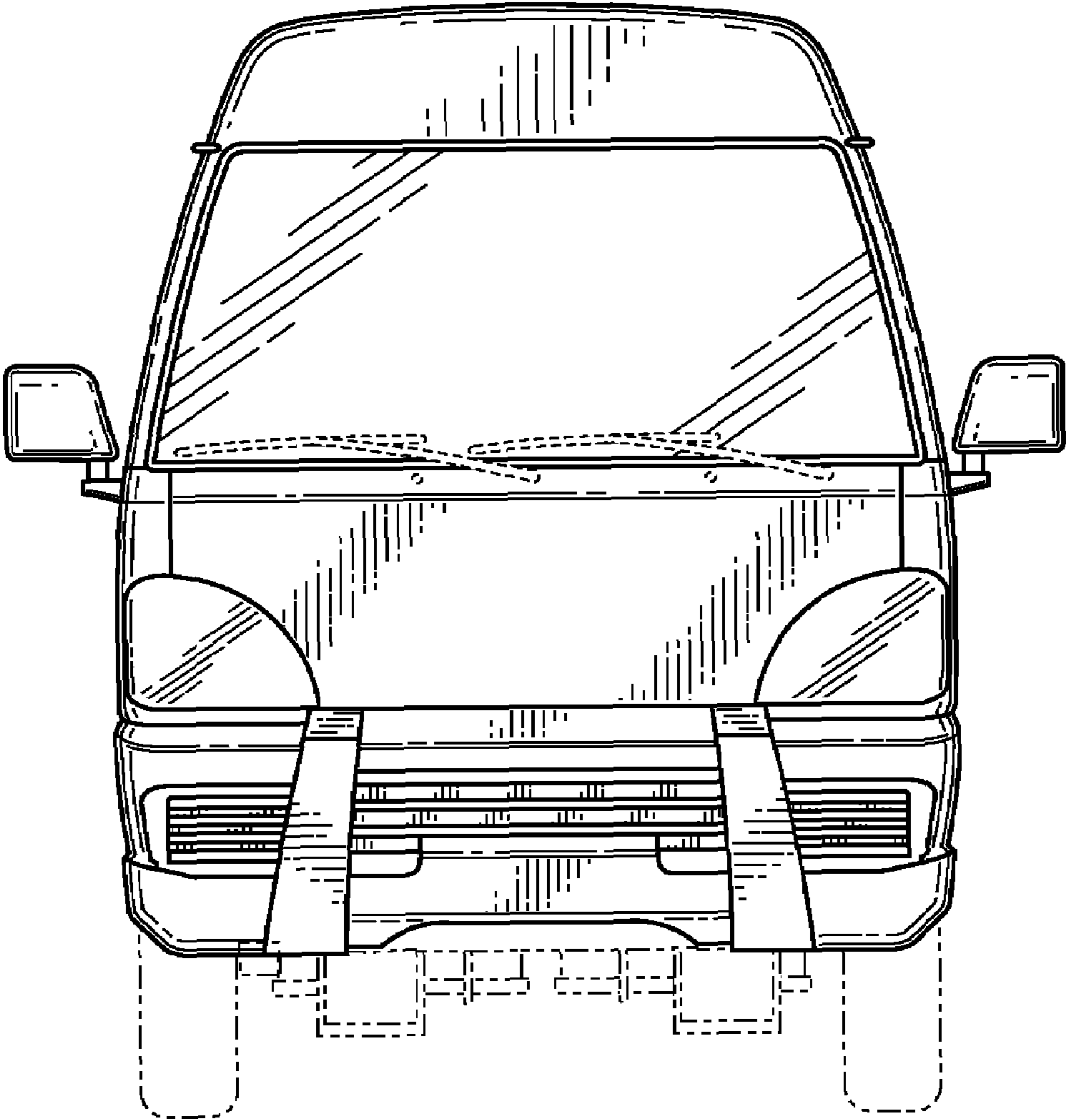


FIG. 3

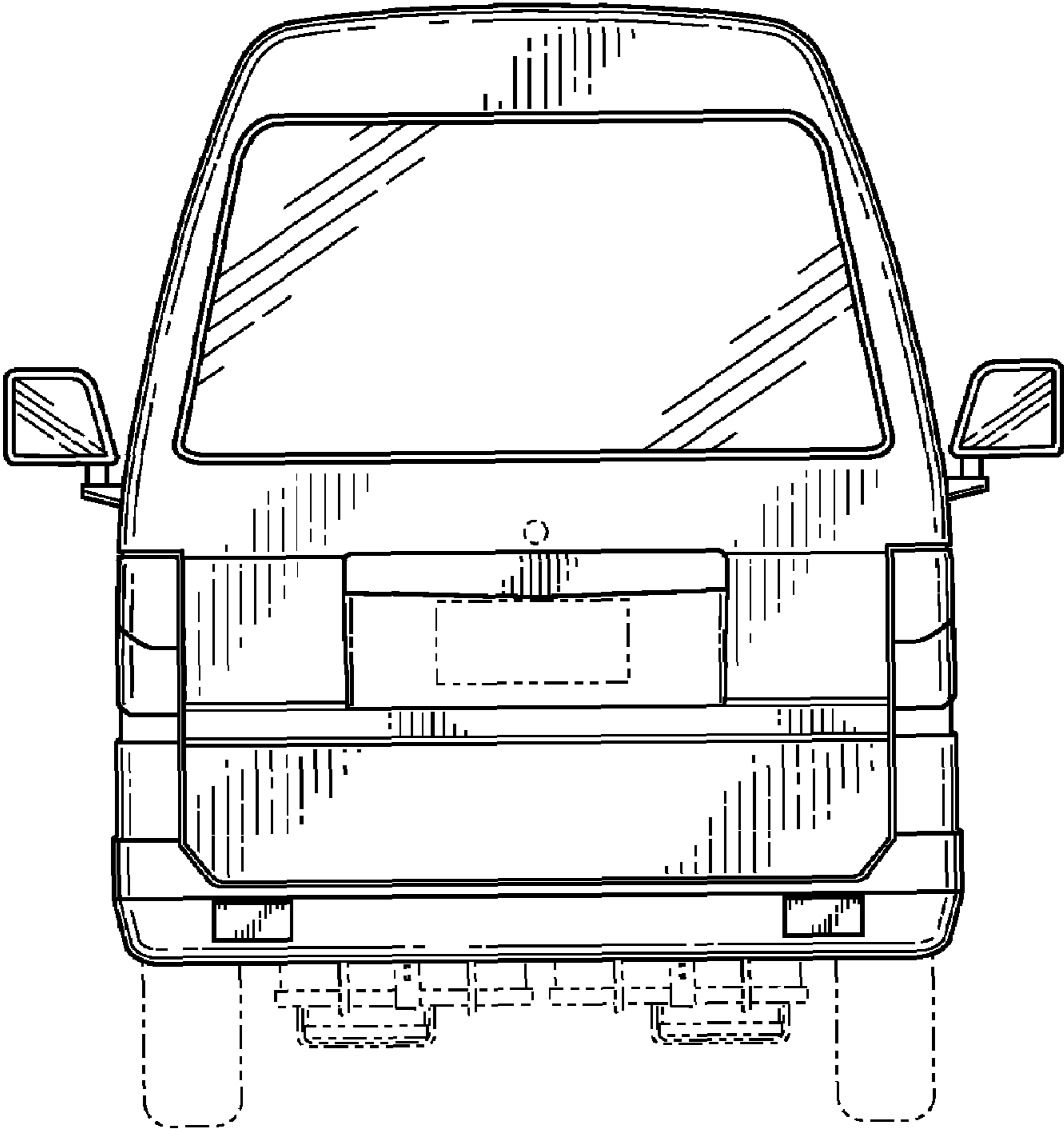


FIG. 4

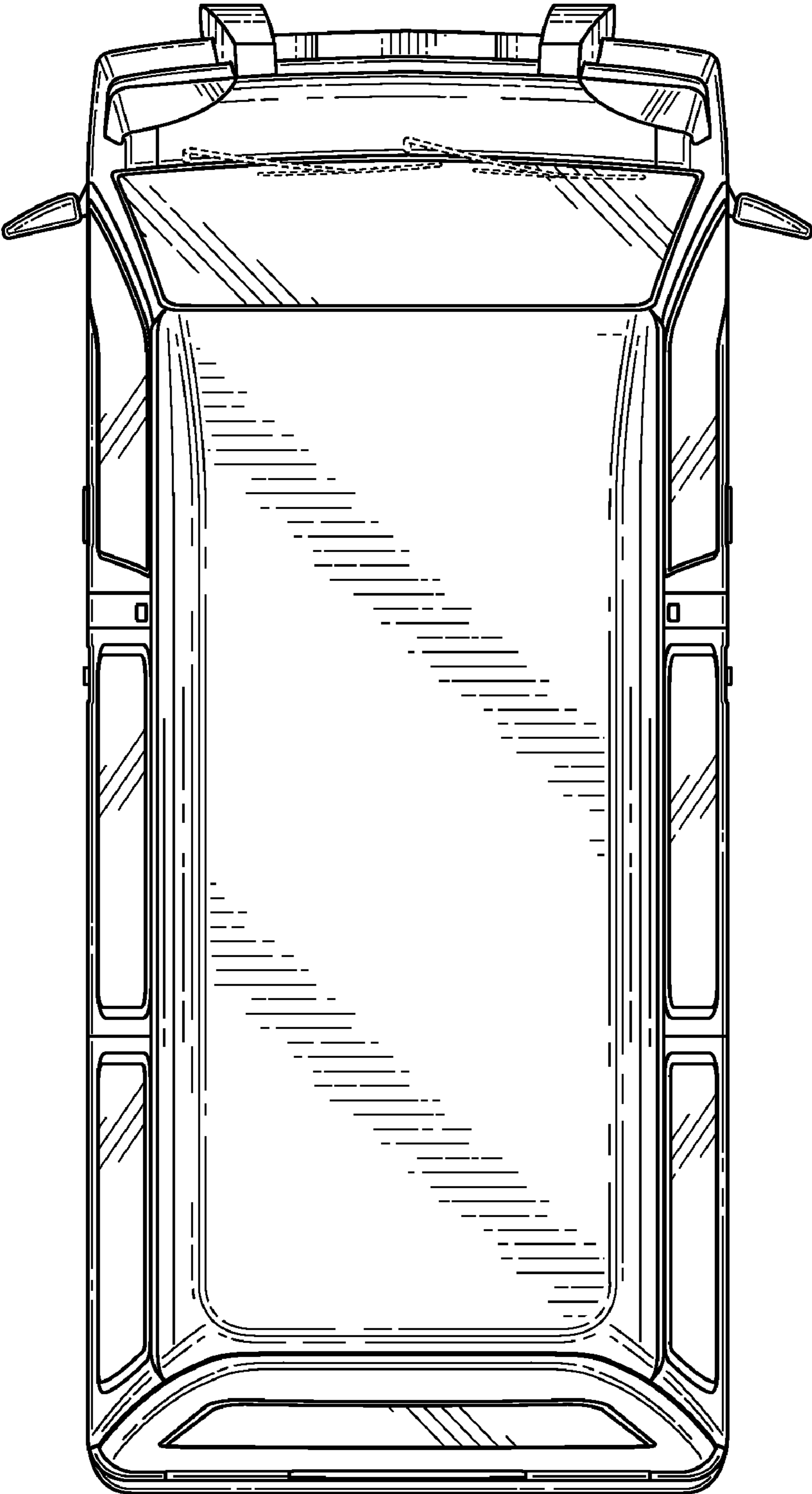


FIG. 5

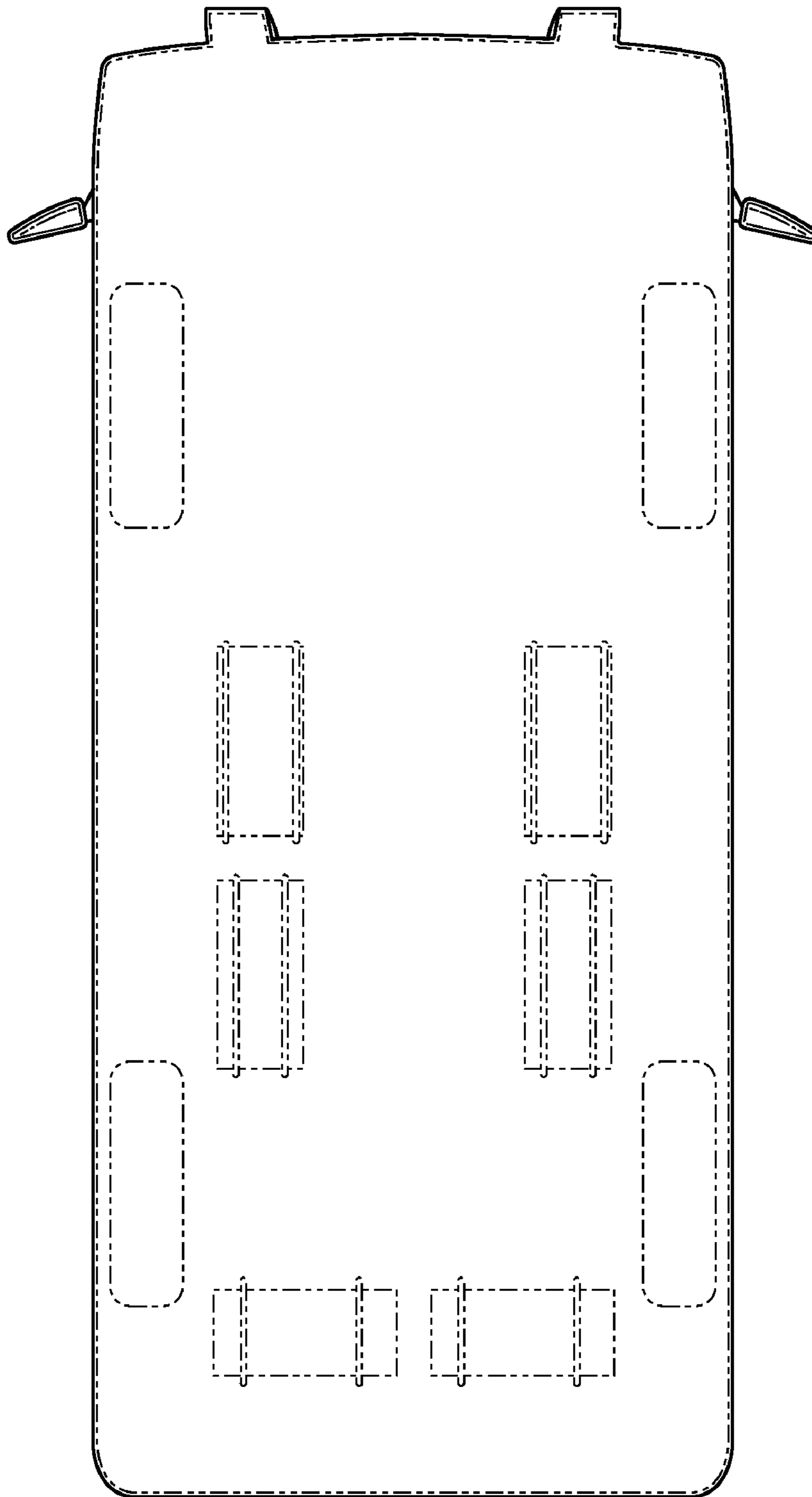


FIG. 6