



US00D614534S

(12) **United States Design Patent**
Weaver

(10) **Patent No.:** **US D614,534 S**
(45) **Date of Patent:** **** Apr. 27, 2010**

(54) **VEHICLE, TOY REPLICAS AND/OR OTHER REPLICAS**

(75) Inventor: **Matthew Weaver**, London (GB)

(73) Assignee: **Nissan Jidosha Kabushiki Kaisha**, Kanagawa-ku, Yokohama-shi, Kanagawa-ken (JP)

(**) Term: **14 Years**

(21) Appl. No.: **29/316,000**

(22) Filed: **Aug. 13, 2009**

(30) **Foreign Application Priority Data**

Feb. 17, 2009 (JP) 2009-003097

(51) **LOC (9) Cl.** **12-08**

(52) **U.S. Cl.** **D12/90**

(58) **Field of Classification Search** D12/86, D12/90-92; 296/181.1, 181.5

See application file for complete search history.

(56) **References Cited**

U.S. PATENT DOCUMENTS

D588,959 S *	3/2009	Bischoff et al.	D12/92
D592,102 S *	5/2009	Kim	D12/90
D597,443 S *	8/2009	Vermeersch et al.	D12/91
D597,444 S *	8/2009	Vermeersch et al.	D12/91
D602,400 S *	10/2009	Chae	D12/92
D607,778 S *	1/2010	Ramaciotti	D12/90

OTHER PUBLICATIONS

U.S. Trademark Registration No. 3,612,436; Registration Date: Apr. 28, 2009; Owner: Nissan Jidosha Kabushiki Kaisha, d/b/a Nissan Motor Co., Ltd.

U.S. Trademark Registration No. 689,797; Registration Date: Dec. 15, 1959; Owner: Nissan Jidosha Kabushiki Kaisha, d/b/a Nissan Motor Co., Ltd.

U.S. Trademark Registration No. 1,914,770; Registration Date: Aug. 29, 1995; Owner: Nissan Jidosha Kabushiki Kaisha, d/b/a Nissan Motor Co., Ltd.

U.S. Trademark Registration No. 2,697,209; Registration Date: Mar. 18, 2003; Owner: Nissan Jidosha Kabushiki Kaisha, d/b/a Nissan Motor Co., Ltd.

U.S. Trademark Registration No. 2,203,744; Registration Date: Nov. 17, 1998; Owner: Nissan Jidosha Kabushiki Kaisha, d/b/a Nissan Motor Co., Ltd.

* cited by examiner

Primary Examiner—Melody N Brown

(74) *Attorney, Agent, or Firm*—Fross Zelnick Lehrman & Zissu, P.C.; Lawrence E. Apolzon, Esq.

(57) **CLAIM**

The ornamental design for a vehicle, toy replica, and/or other replicas, as shown and described.

DESCRIPTION

FIG. 1 is a perspective view of the front, right and top of a vehicle, toy replica and/or other replicas showing my new design;

FIG. 2 is a perspective view of the rear, right and top thereof;

FIG. 3 is a front view thereof;

FIG. 4 is a rear view thereof;

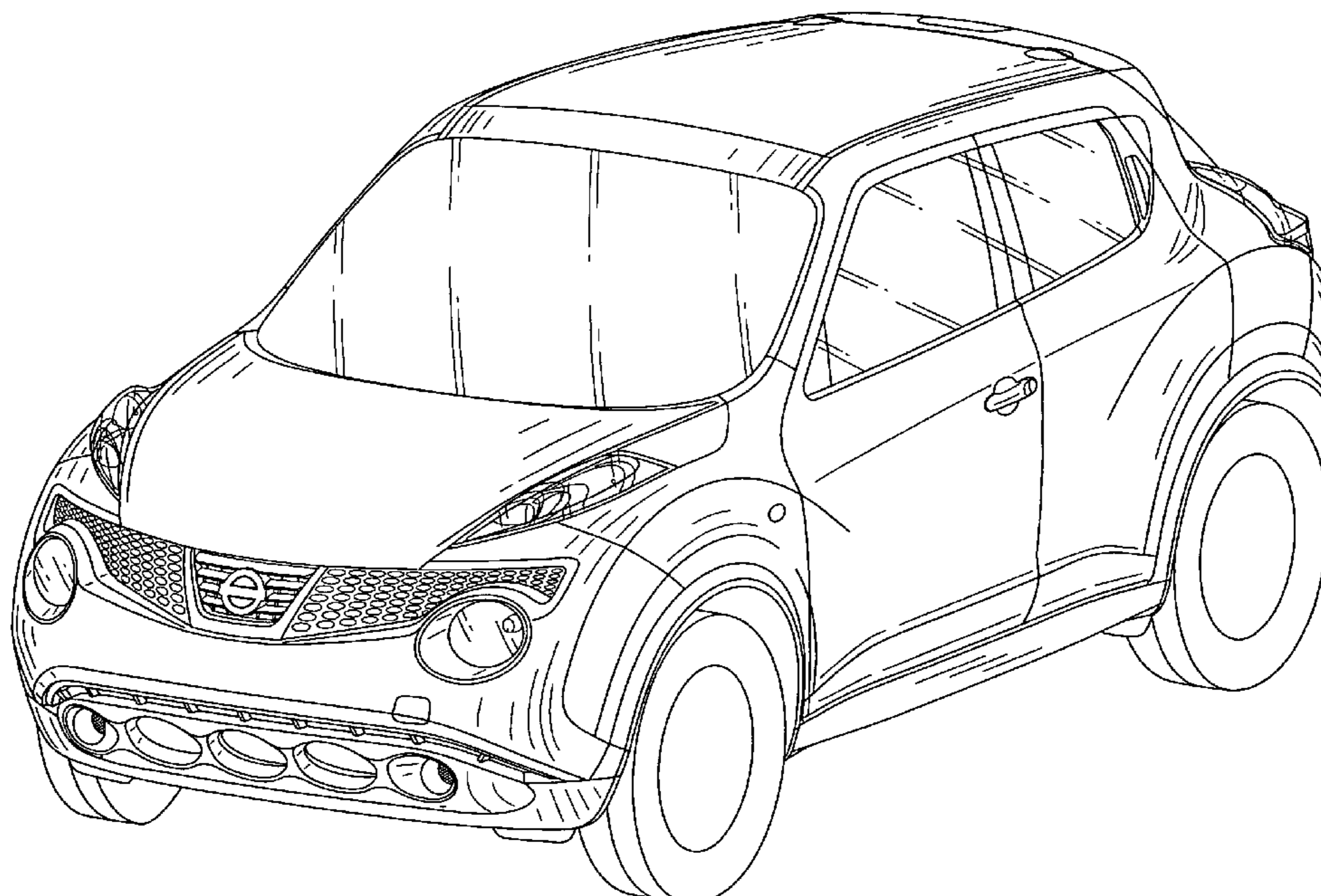
FIG. 5 is a left side view thereof;

FIG. 6 is a right side view thereof;

FIG. 7 is a top plan view thereof; and,

FIG. 8 is a bottom view thereof.

1 Claim, 7 Drawing Sheets



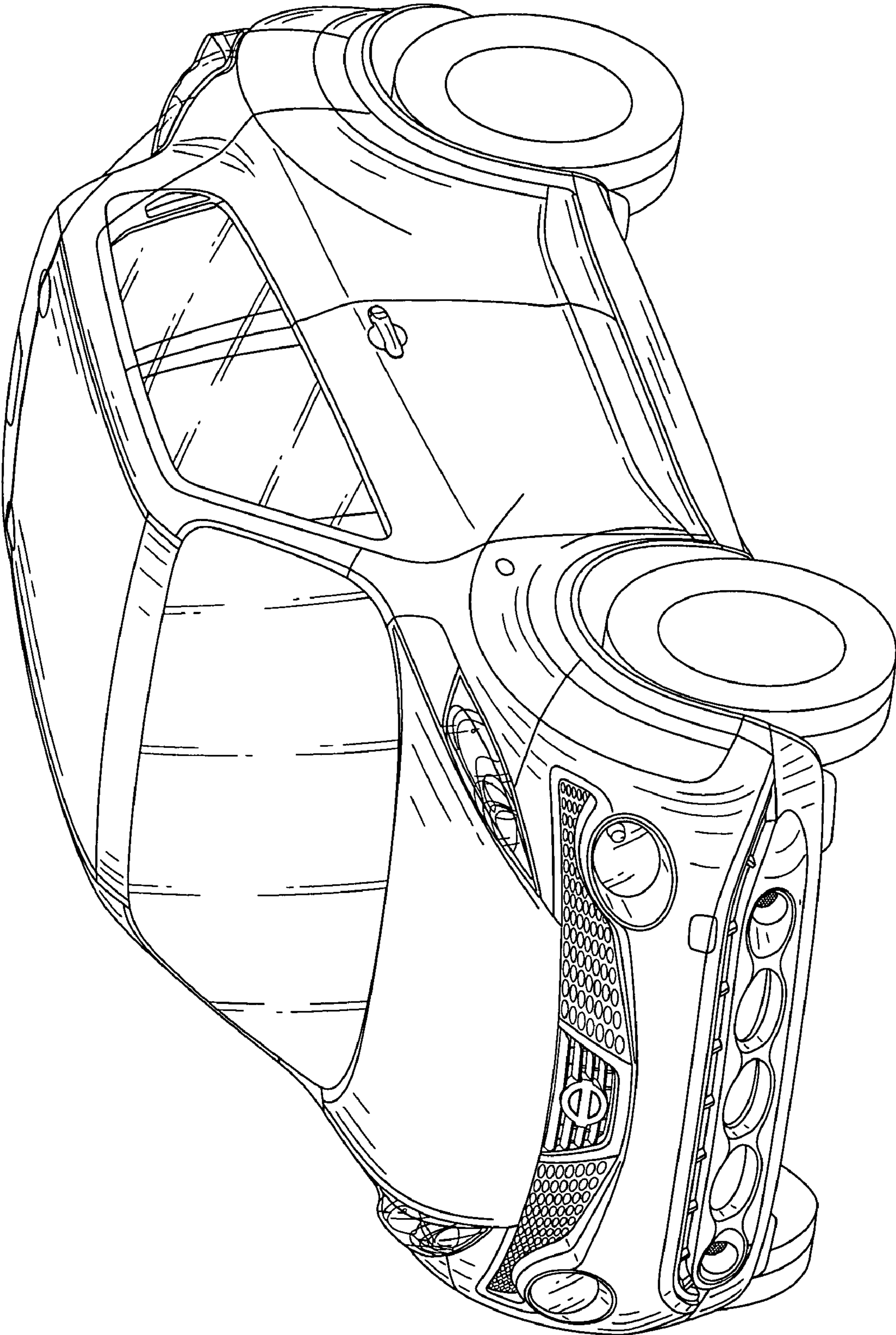


FIG. 1

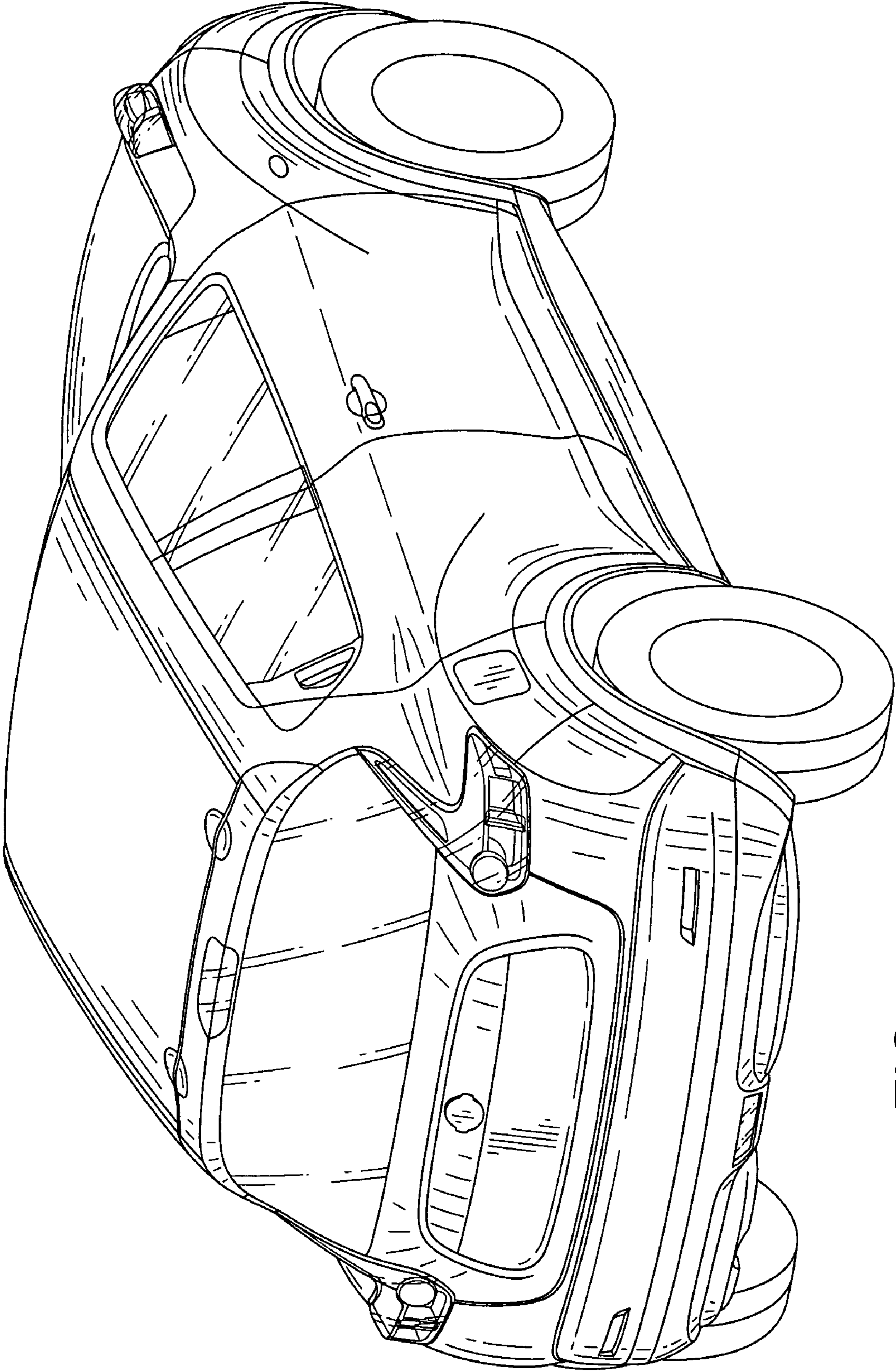


FIG. 2

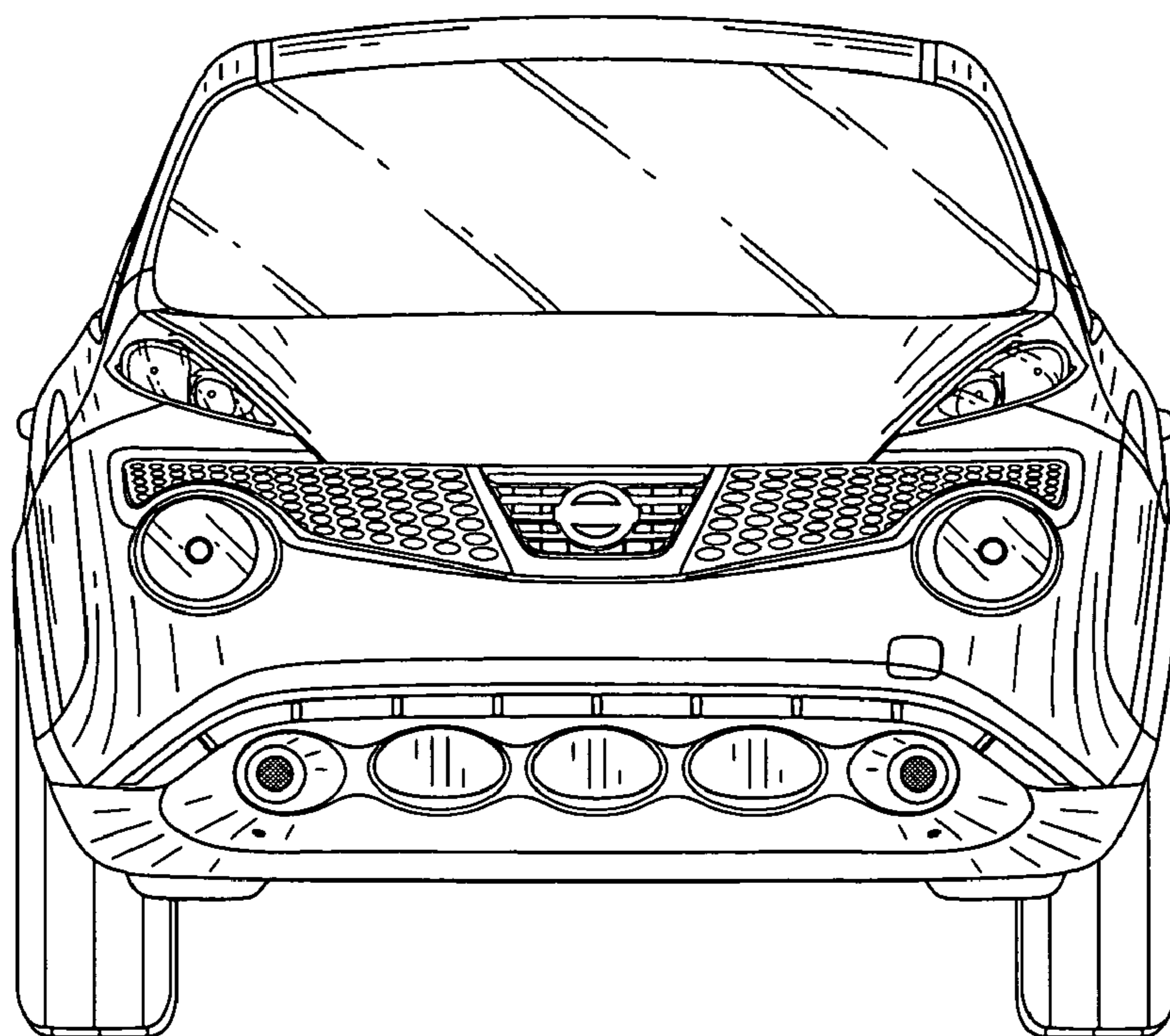


FIG. 3

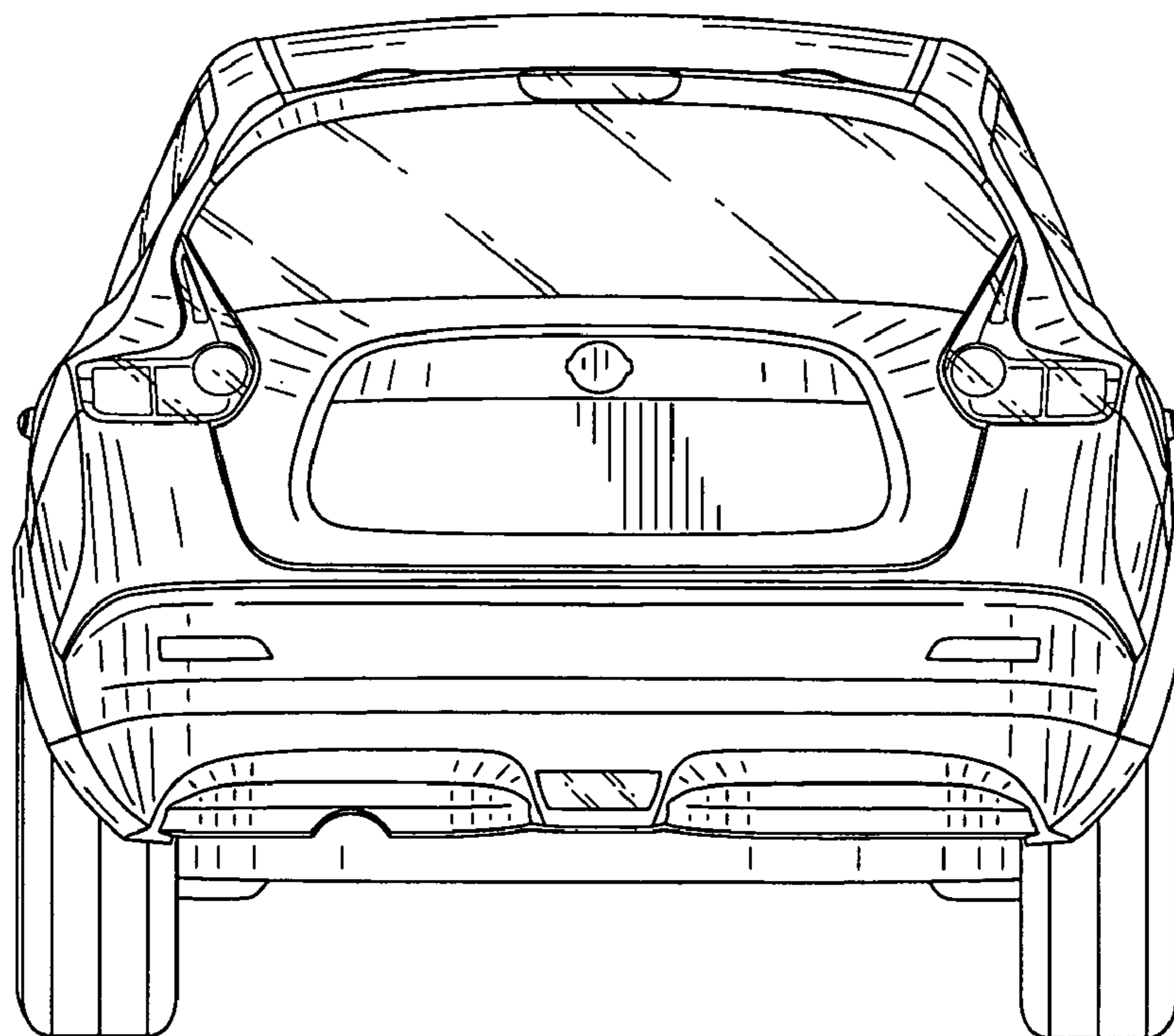


FIG. 4

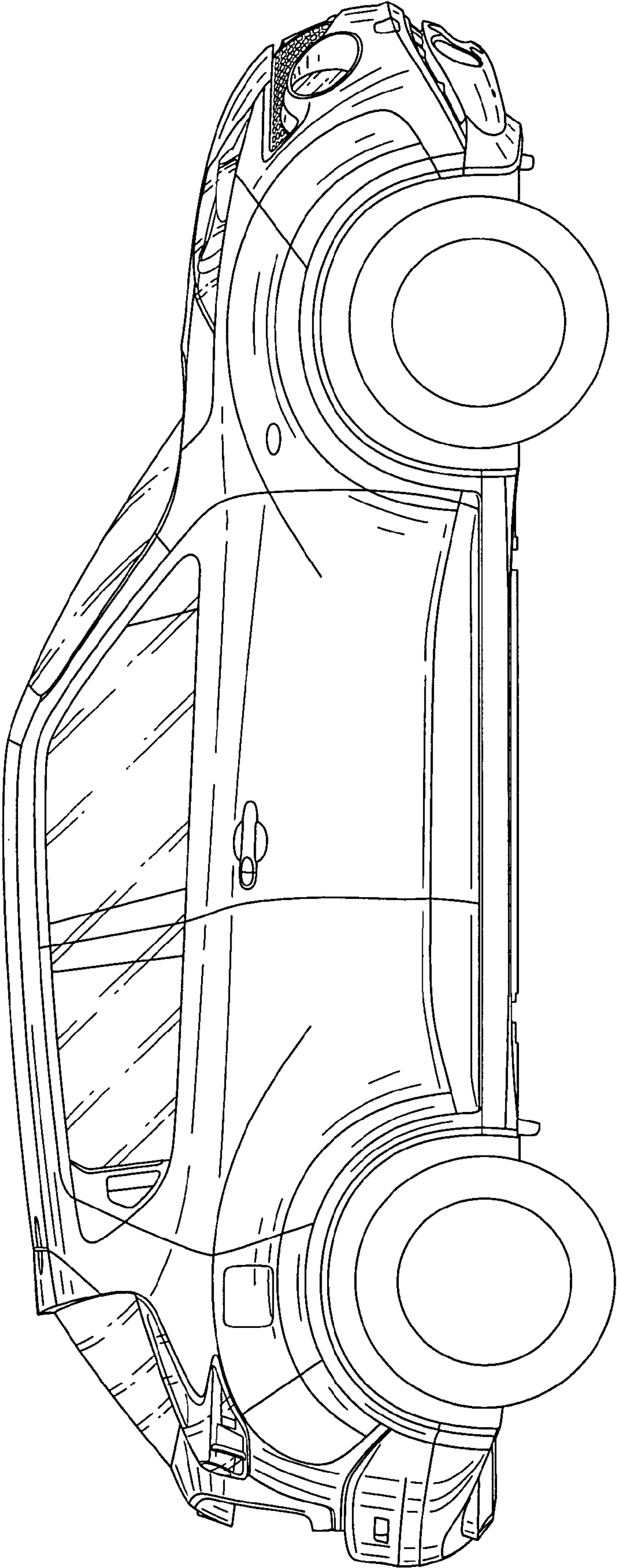


FIG. 5

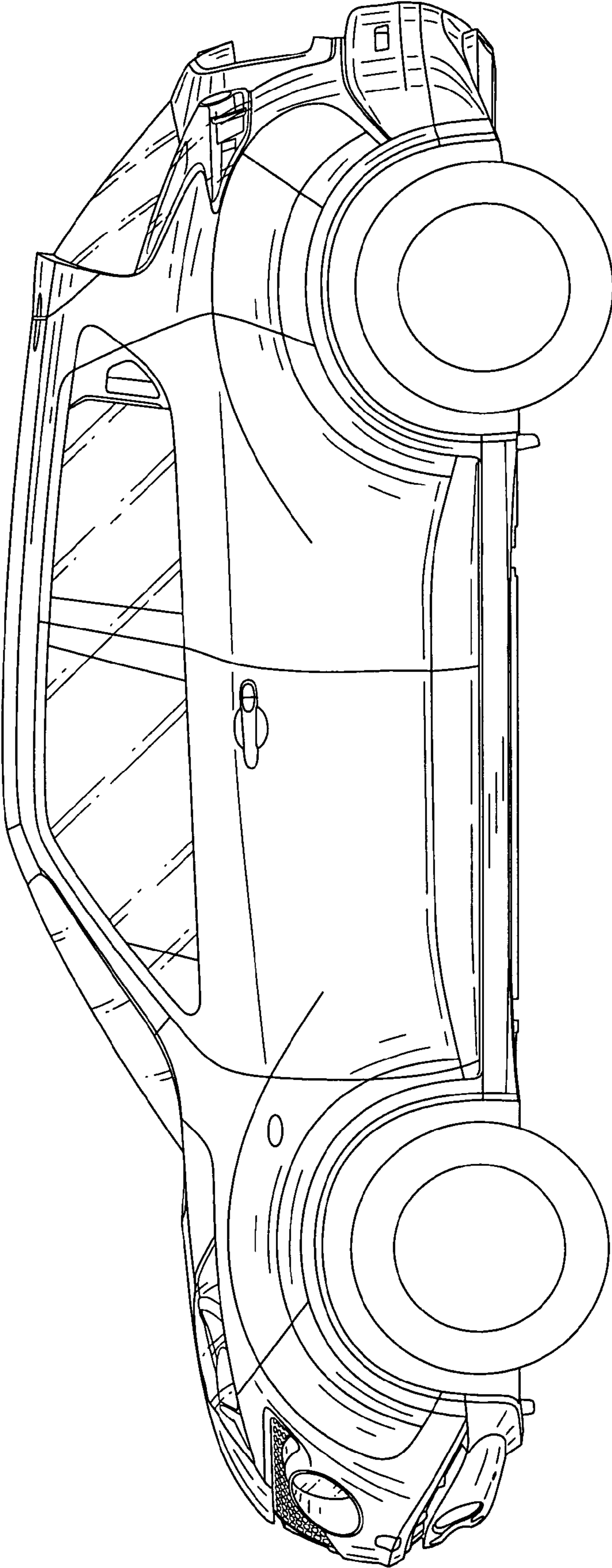


FIG. 6

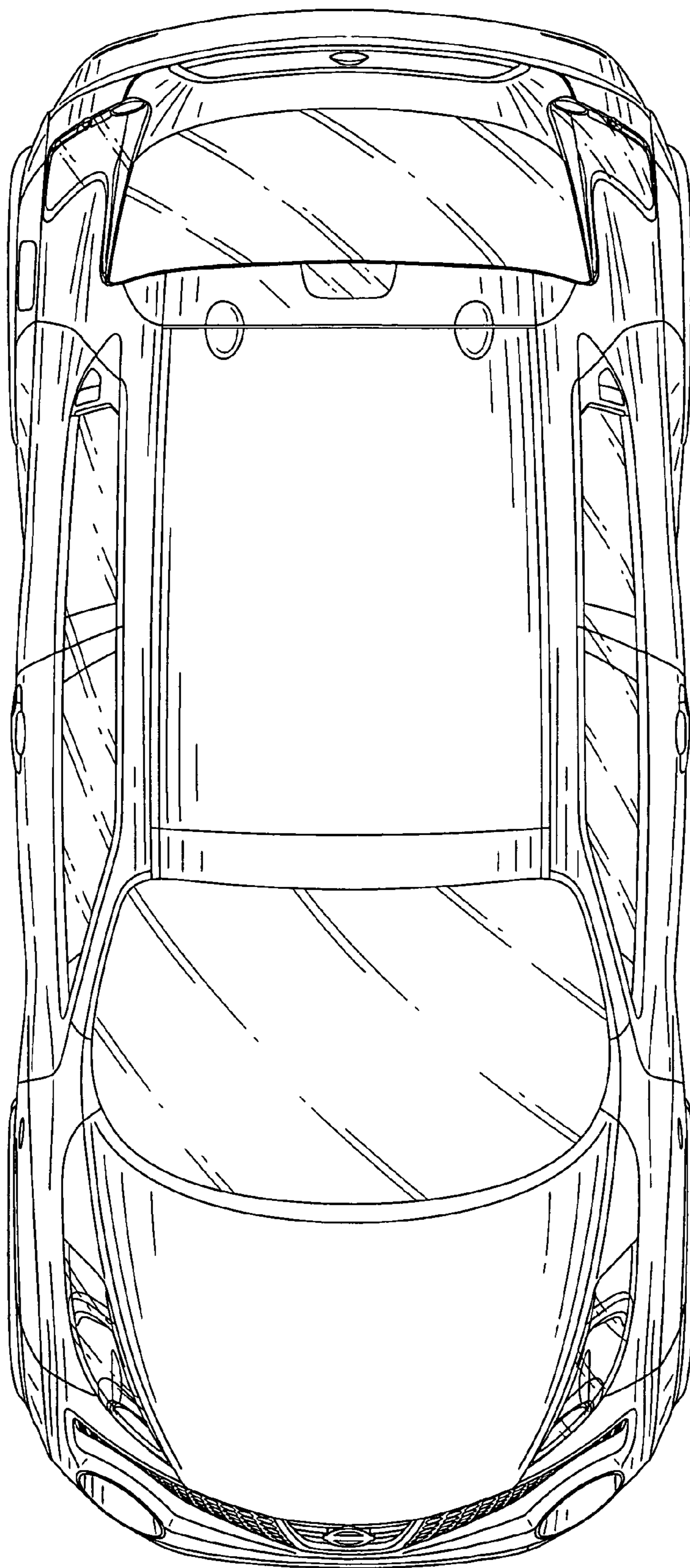


FIG. 7

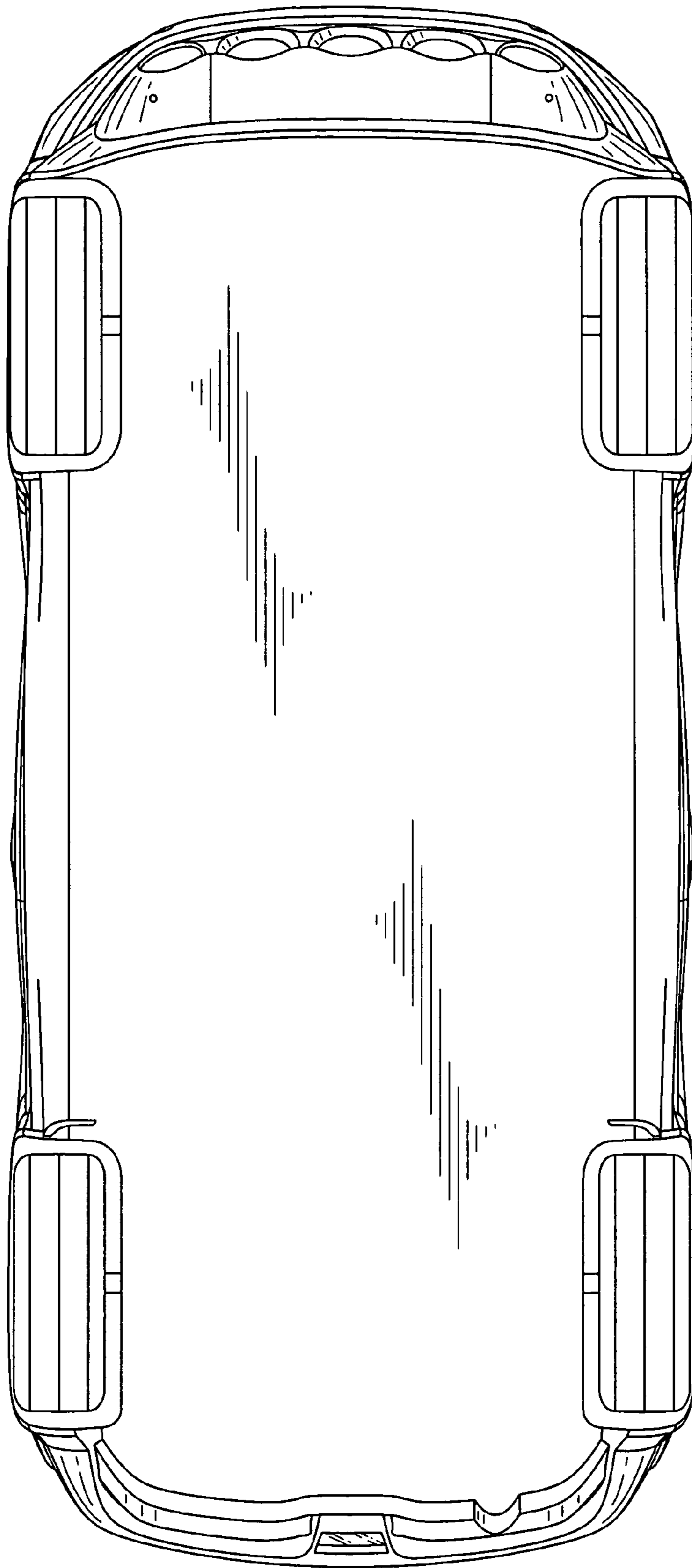


FIG. 8