



US00D614533S

(12) **United States Design Patent**
Weible et al.

(10) **Patent No.:** **US D614,533 S**

(45) **Date of Patent:** **** Apr. 27, 2010**

(54) **TEA POT SHAPED CAR**

(76) Inventors: **Carol Weible**, 700 E. Olive Ave.,
Lompoc, CA (US) 93436; **Vincent**
Weible, 700 E. Olive Ave., Lompoc, CA
(US) 93436

(**) Term: **14 Years**

(21) Appl. No.: **29/333,830**

(22) Filed: **Mar. 16, 2009**

(51) **LOC (9) Cl.** **12-08**

(52) **U.S. Cl.** **D12/83; D7/303; D7/302**

(58) **Field of Classification Search** D7/300-303,
D7/312, 321, 319; 222/481, 129; 99/319,
99/318, 285; D12/3, 83, 86
See application file for complete search history.

(56) **References Cited**

U.S. PATENT DOCUMENTS

1,886,415	A	*	11/1932	Mitchell	99/295
2,214,623	A	*	9/1940	Millen	222/481
D178,435	S	*	7/1956	Swann	D7/321
D185,054	S	*	4/1959	Winans	D7/321
D186,162	S	*	9/1959	Sjoman	D12/83
D266,474	S	*	10/1982	Everhan	D7/321
D266,833	S	*	11/1982	Wharton	D12/83
D284,954	S	*	8/1986	Lamb	D12/83
D287,832	S	*	1/1987	Byrd	D12/83
D300,617	S	*	4/1989	Baker	D12/83
D328,403	S	*	8/1992	Unger	D7/317

D371,931	S	*	7/1996	Lin	D7/302
D380,336	S	*	7/1997	Zive	D7/321
D395,788	S	*	7/1998	Holland	D7/321
D399,789	S	*	10/1998	Adamovich et al.	D12/86
D486,989	S	*	2/2004	Bodum	D7/321
D495,193	S	*	8/2004	Moore et al.	D7/321
D552,404	S	*	10/2007	Bodum	D7/321
D558,510	S	*	1/2008	Bodum	D7/321
D560,091	S	*	1/2008	Bodum	D7/316
D565,340	S	*	4/2008	Bodum	D7/319
D589,292	S	*	3/2009	Thurlow et al.	D7/321

* cited by examiner

Primary Examiner—Marianne Pandozzi

(74) *Attorney, Agent, or Firm*—Felix L. Fischer

(57) **CLAIM**

The ornamental design for a tea pot shaped car, as shown and described.

DESCRIPTION

FIG. 1 is a top right top perspective of a tea pot shaped car according to the present design;

FIG. 2 is a front view of the tea pot shaped car of FIG. 1;

FIG. 3 is a rear view of the tea pot shaped car of FIG. 1;

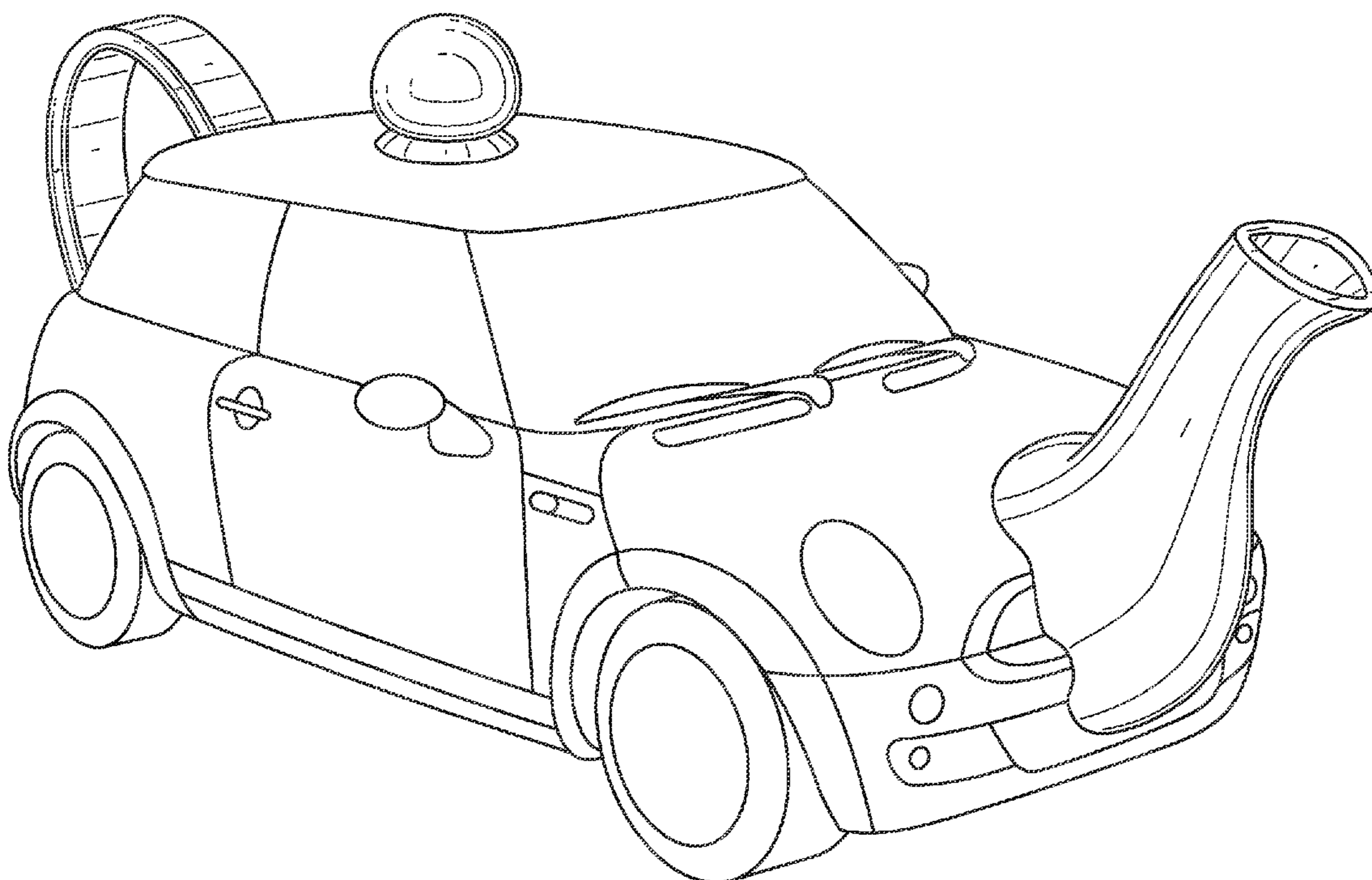
FIG. 4 is a right side view of the tea pot shaped car of FIG. 1;

FIG. 5 is left side view of the tea pot shaped car of FIG. 1;

FIG. 6 is a top view of the tea pot shaped car of FIG. 1; and,

FIG. 7 is a bottom view of the tea pot shaped car of FIG. 1.

1 Claim, 6 Drawing Sheets



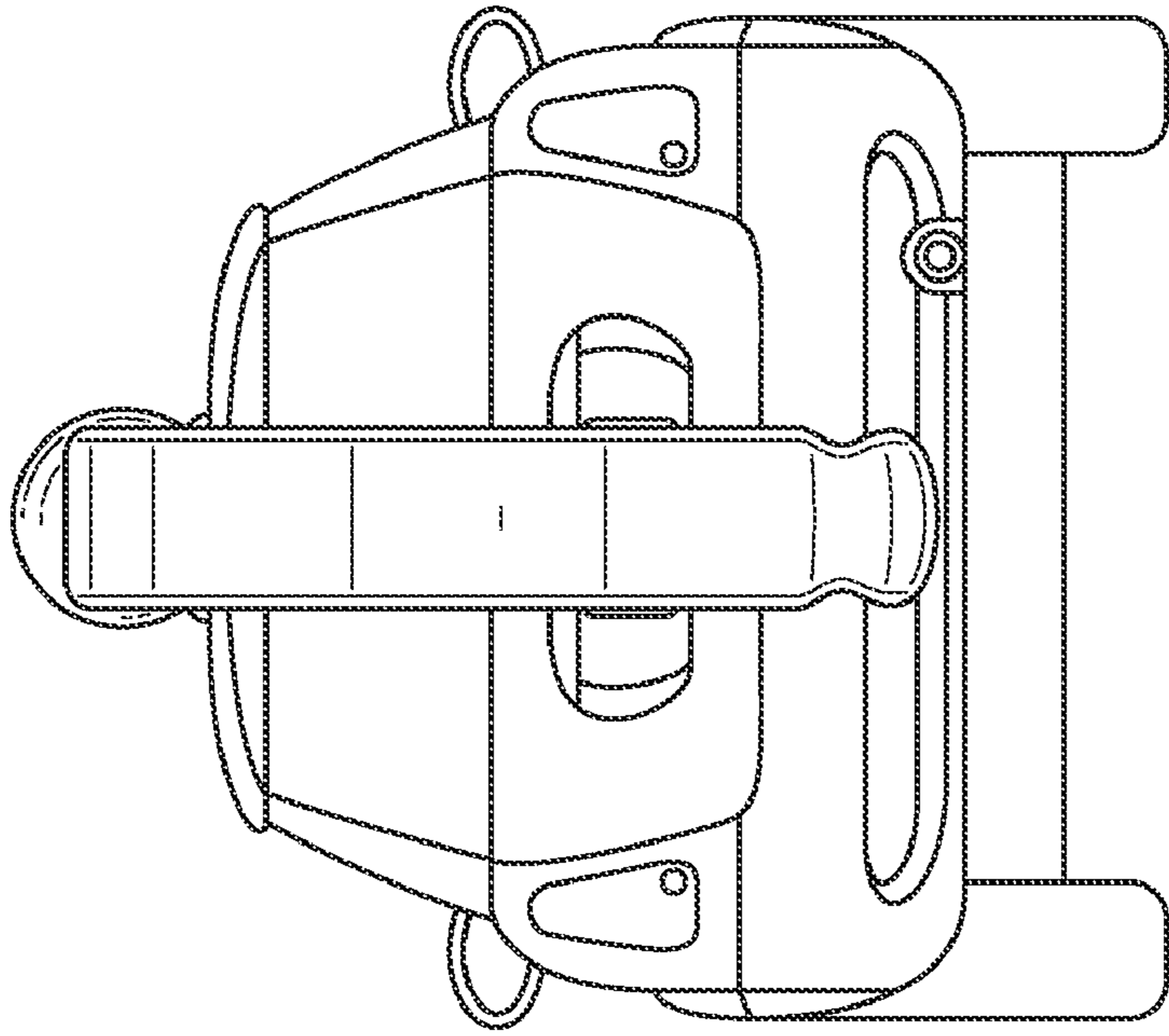


FIG. 3

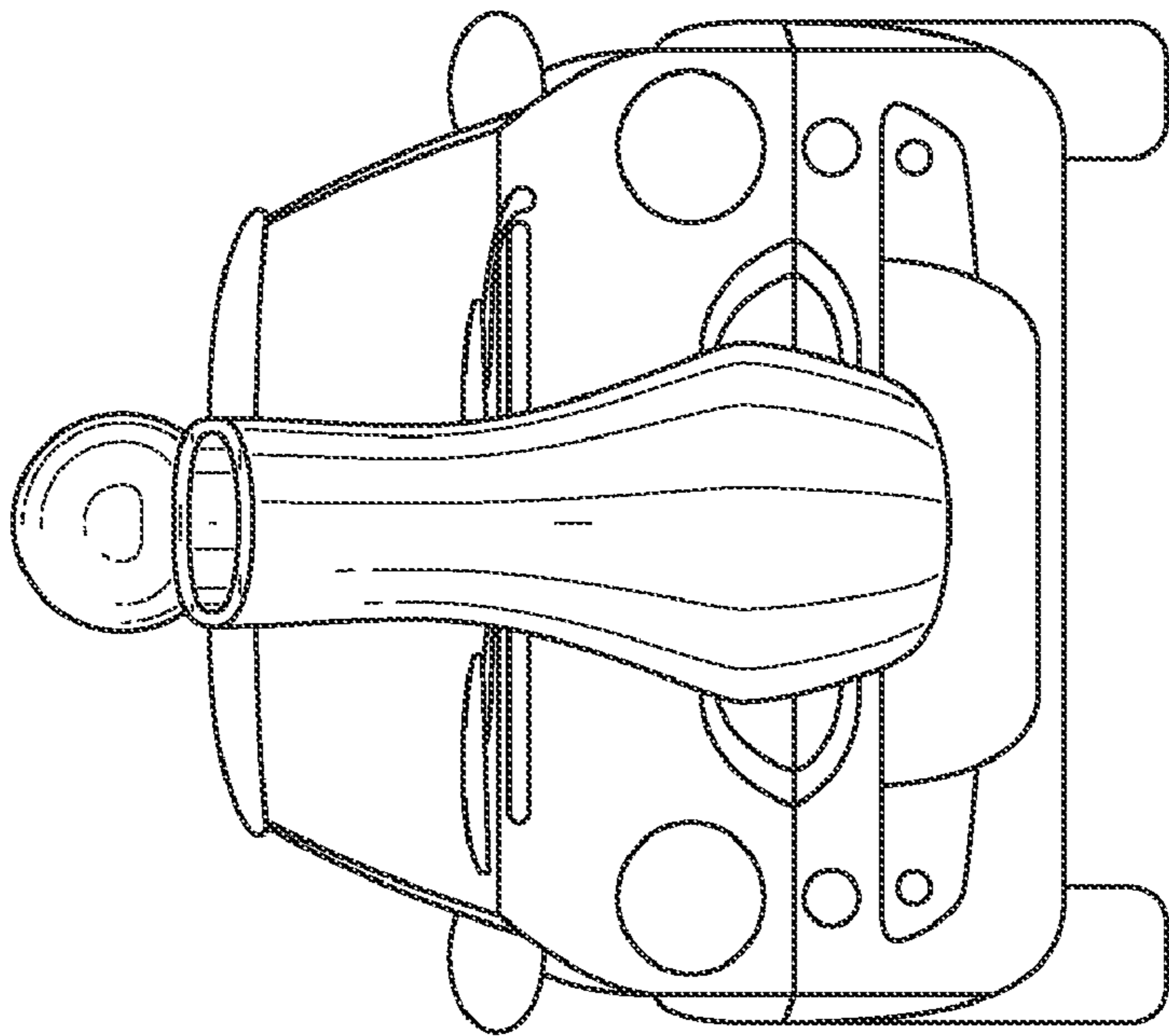


FIG. 2

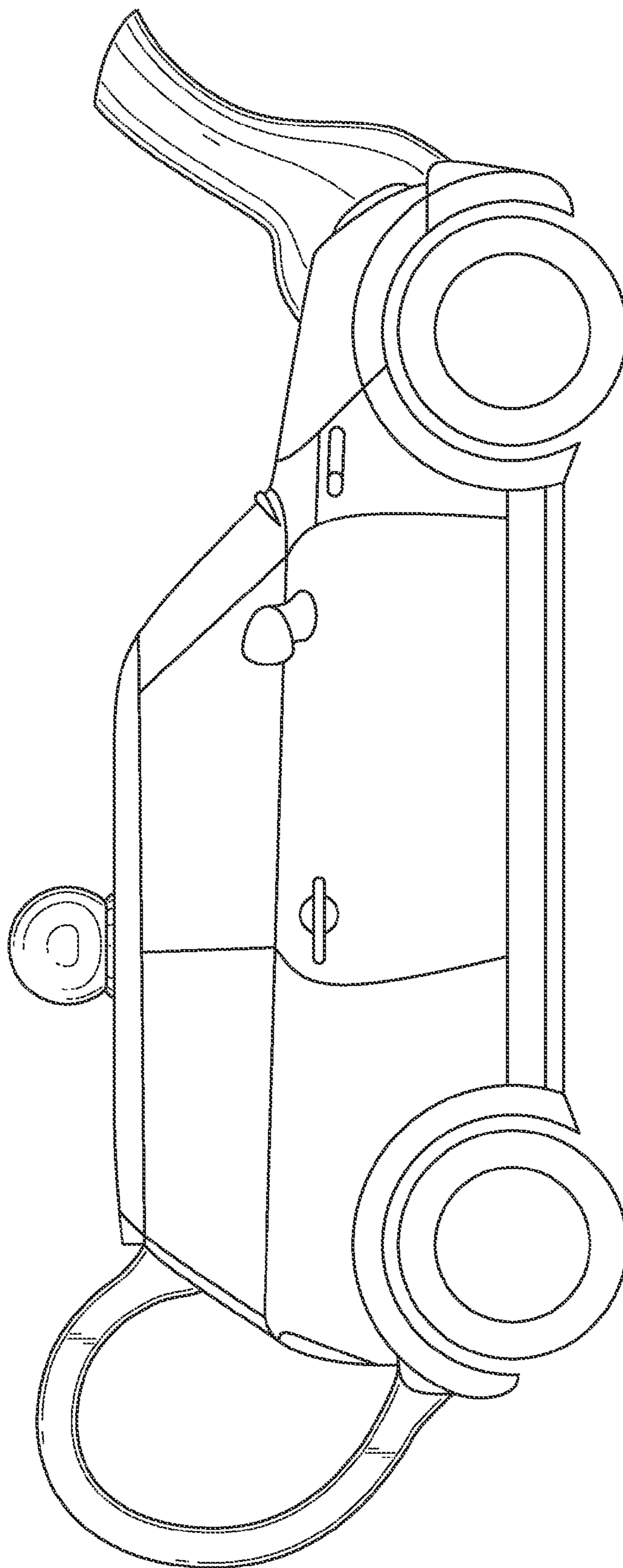


FIG. 4

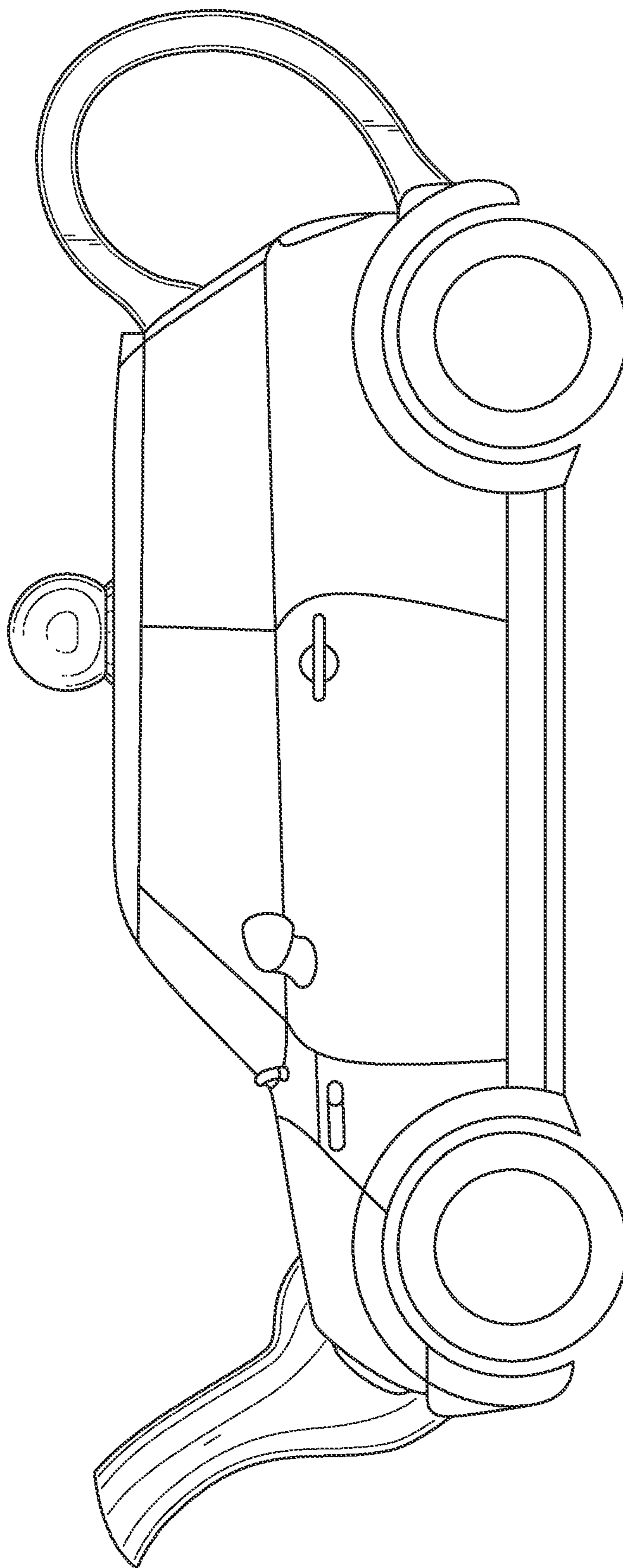


FIG. 5

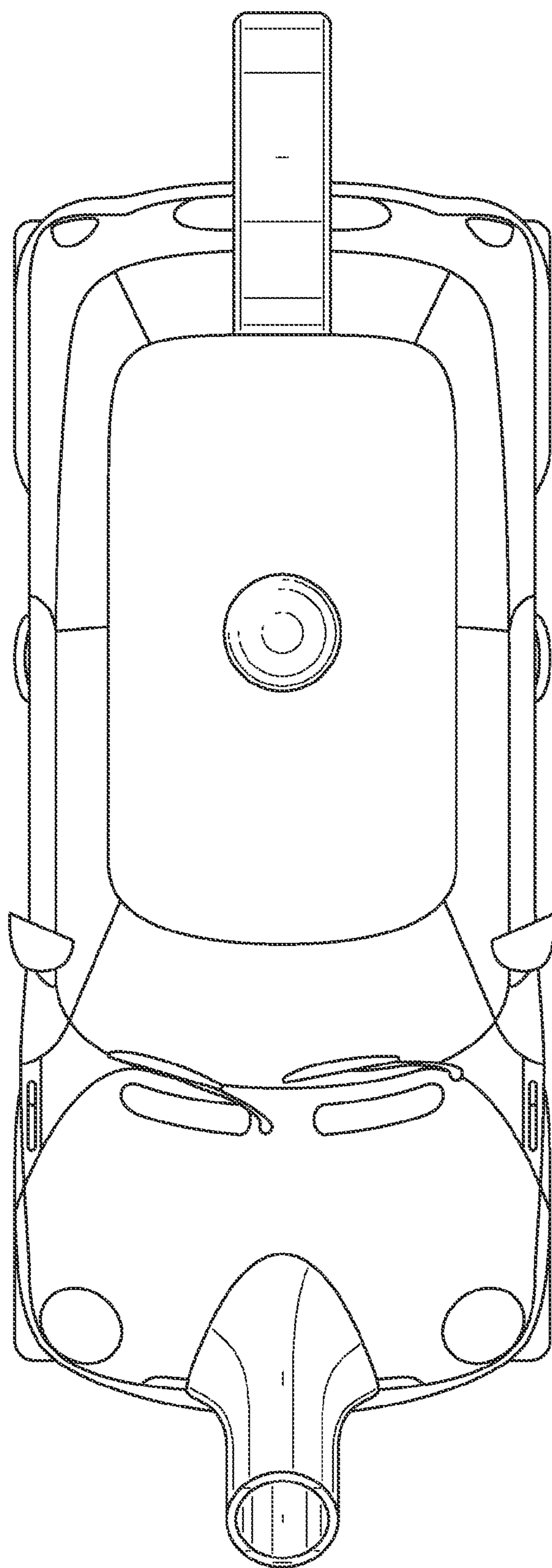


FIG. 6

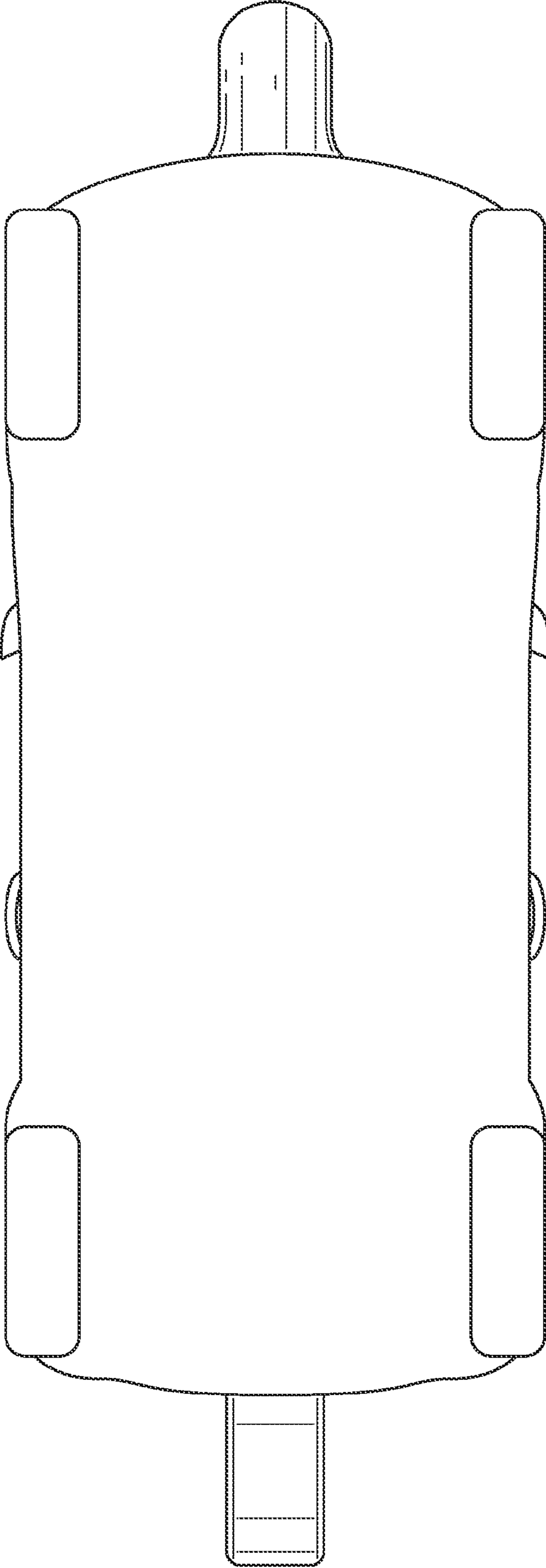


FIG. 7