



US00D614532S

(12) **United States Design Patent**  
**Rudolph et al.**

(10) **Patent No.:** **US D614,532 S**  
(45) **Date of Patent:** **\*\* Apr. 27, 2010**

(54) **VEHICLE BODY, TOY, AND/OR OTHER REPLICAS**

(75) Inventors: **Frank Rudolph**, Reservoir (AU); **Aaron Scot Deneweth**, Keilor (AU); **Garry A Jensz**, Stawell (AU); **Guy D Burgoyne**, Brighton (AU)

(73) Assignee: **GM Global Technology Operations, Inc.**, Detroit, MI (US)

(\*\*) Term: **14 Years**

(21) Appl. No.: **29/339,176**

(22) Filed: **Jun. 25, 2009**

(51) **LOC (9) Cl.** ..... **12-14**

(52) **U.S. Cl.** ..... **D12/1**

(58) **Field of Classification Search** ..... D12/85,  
D12/1, 174, 178-181; 280/93.502, 229,  
280/226; 180/21, 8.2, 5.26, 6.5, 7.1, 65.8,  
180/907; D21/419, 421, 424

See application file for complete search history.

(56) **References Cited**

**U.S. PATENT DOCUMENTS**

D320,958 S \* 10/1991 Kimura et al. .... D12/85  
D329,028 S \* 9/1992 Malewicki ..... D12/37

D422,940 S \* 4/2000 Hanagan et al. .... D12/85  
D435,487 S \* 12/2000 Covert ..... D12/1  
D505,363 S \* 5/2005 Aube et al. .... D12/107  
D569,308 S \* 5/2008 Bergeron et al. .... D12/7  
D591,645 S \* 5/2009 Murphy ..... D12/85

\* cited by examiner

*Primary Examiner*—T. Chase Nelson  
*Assistant Examiner*—Ania K Dworzecka

(57) **CLAIM**

The ornamental design for a vehicle body, toy, and/or other replicas thereof, as shown and described.

**DESCRIPTION**

FIG. 1 is a left front perspective view of a vehicle body, toy, and/or other replicas showing our new design;

FIG. 2 is a left rear perspective view thereof;

FIG. 3 is a front view thereof;

FIG. 4 is a rear view thereof;

FIG. 5 is a left side view thereof, the right side being a mirror image thereof; and,

FIG. 6 is a top plan view thereof.

**1 Claim, 3 Drawing Sheets**

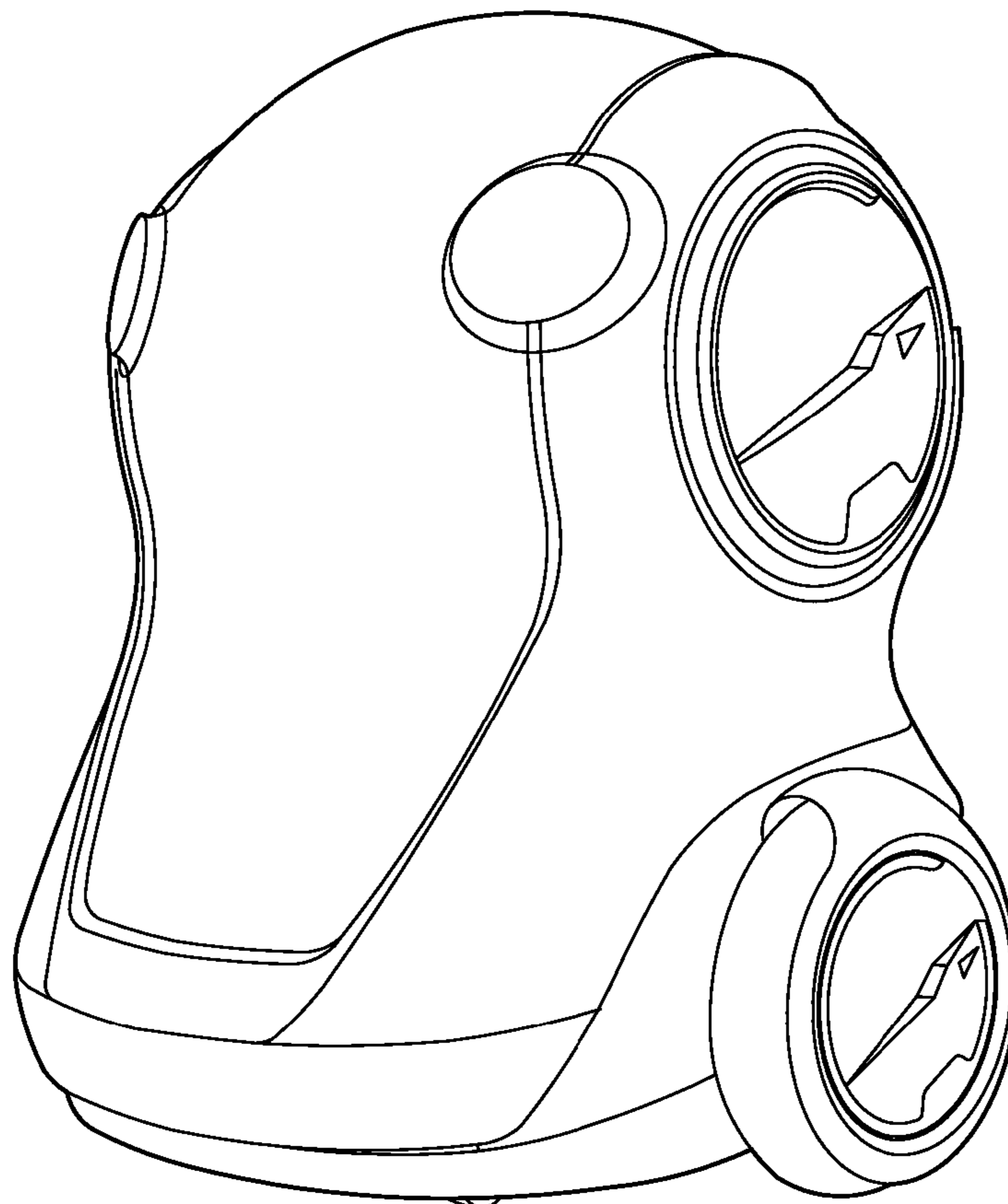


Fig-1

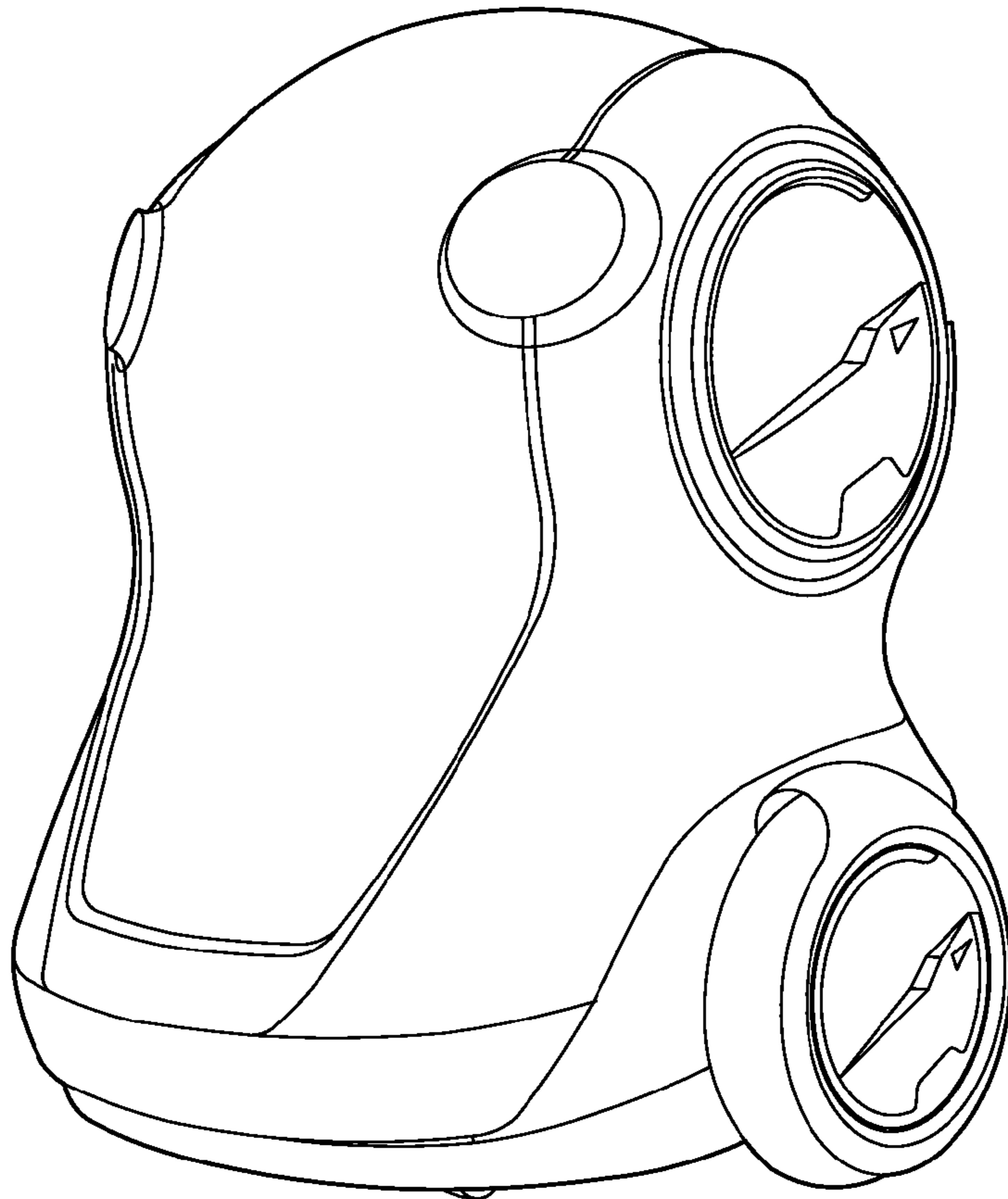


Fig-2

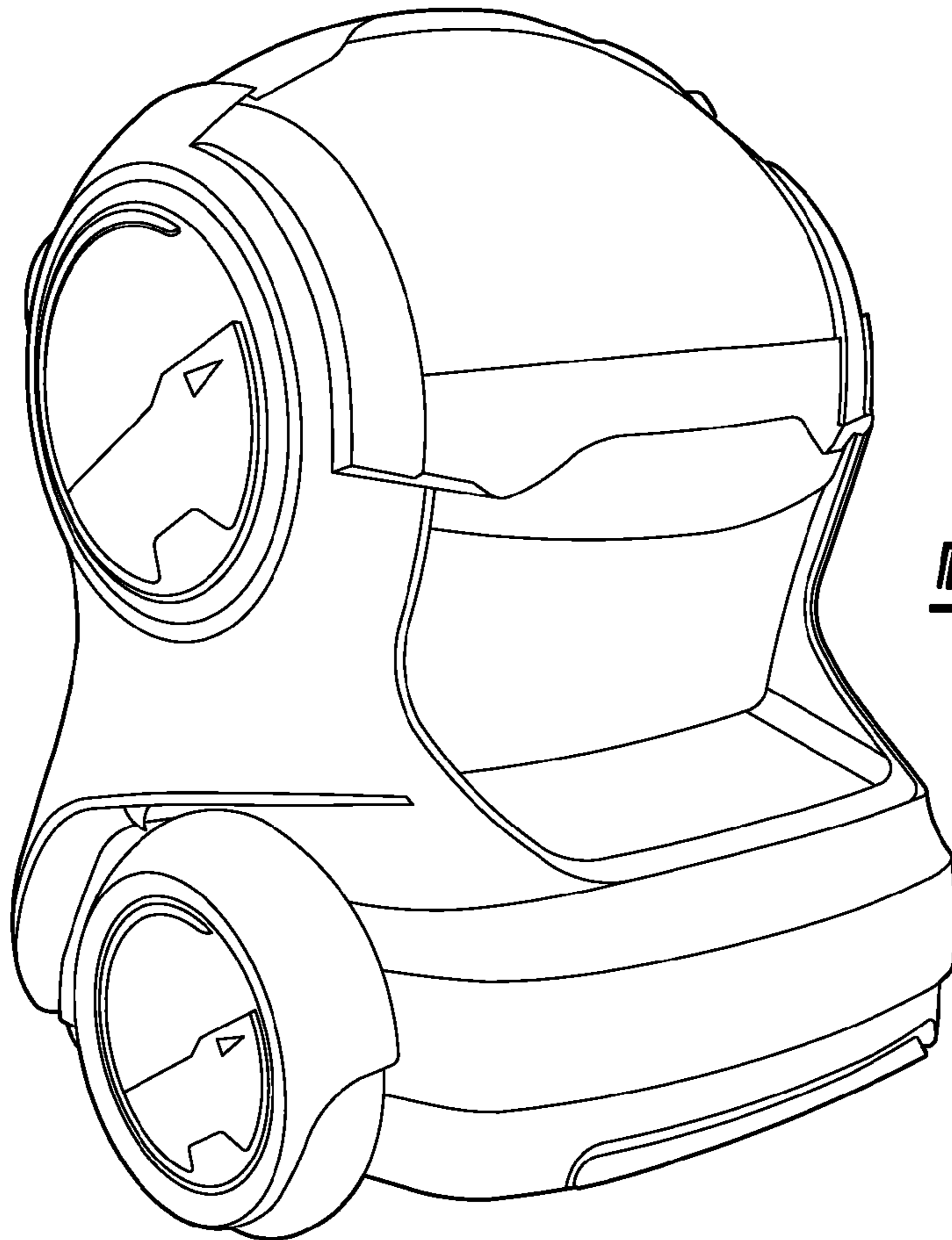


Fig-3

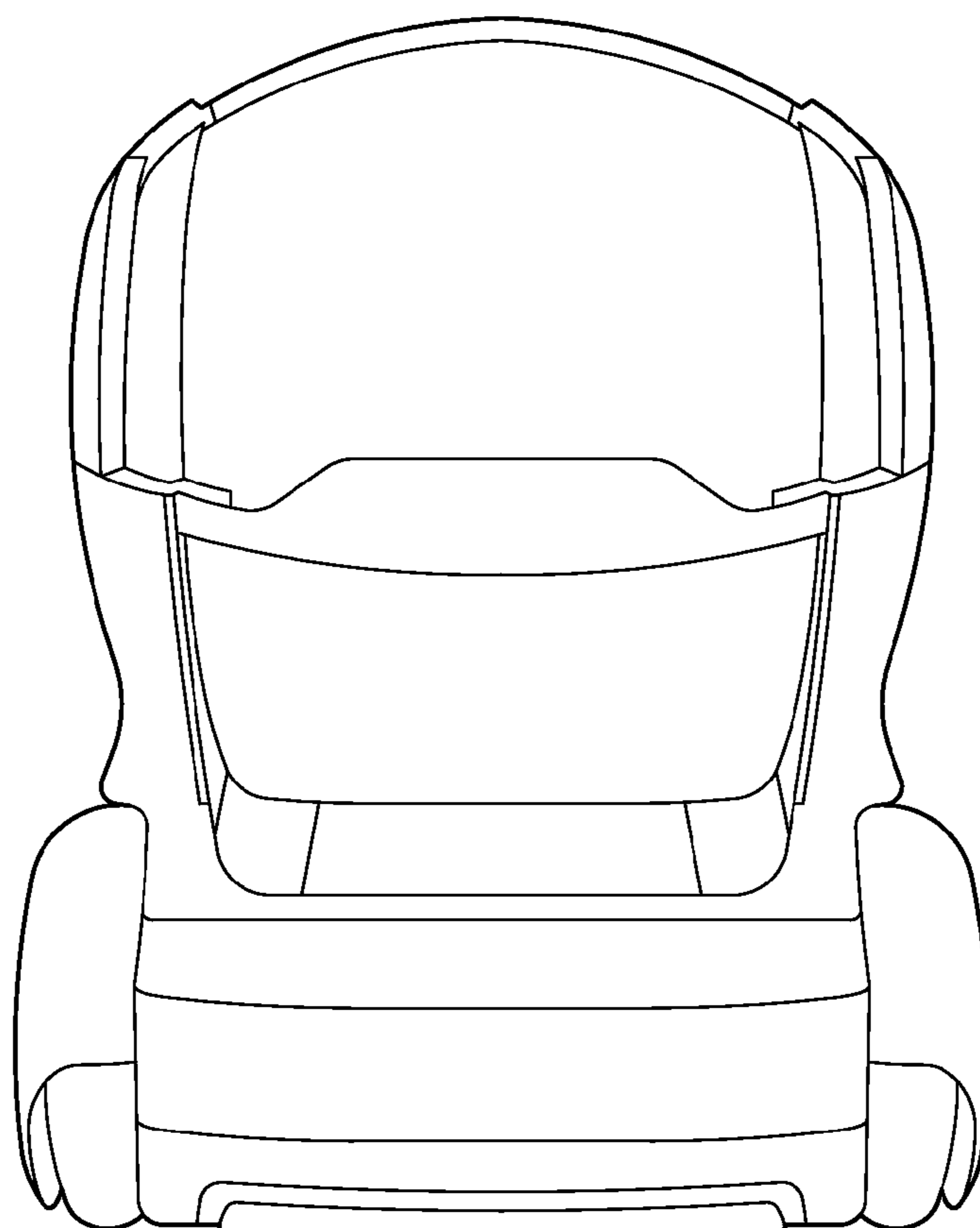
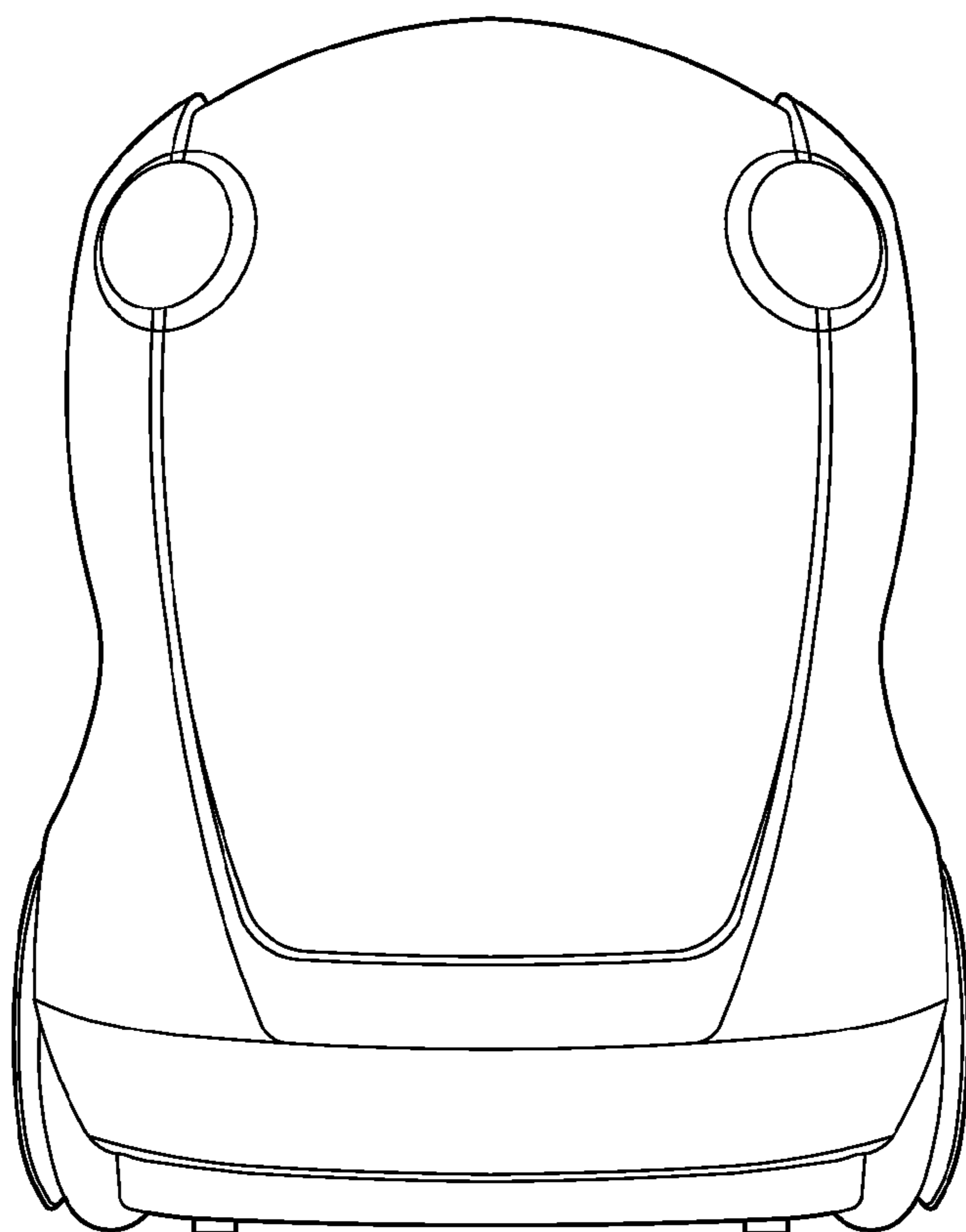


Fig-4

Fig-5

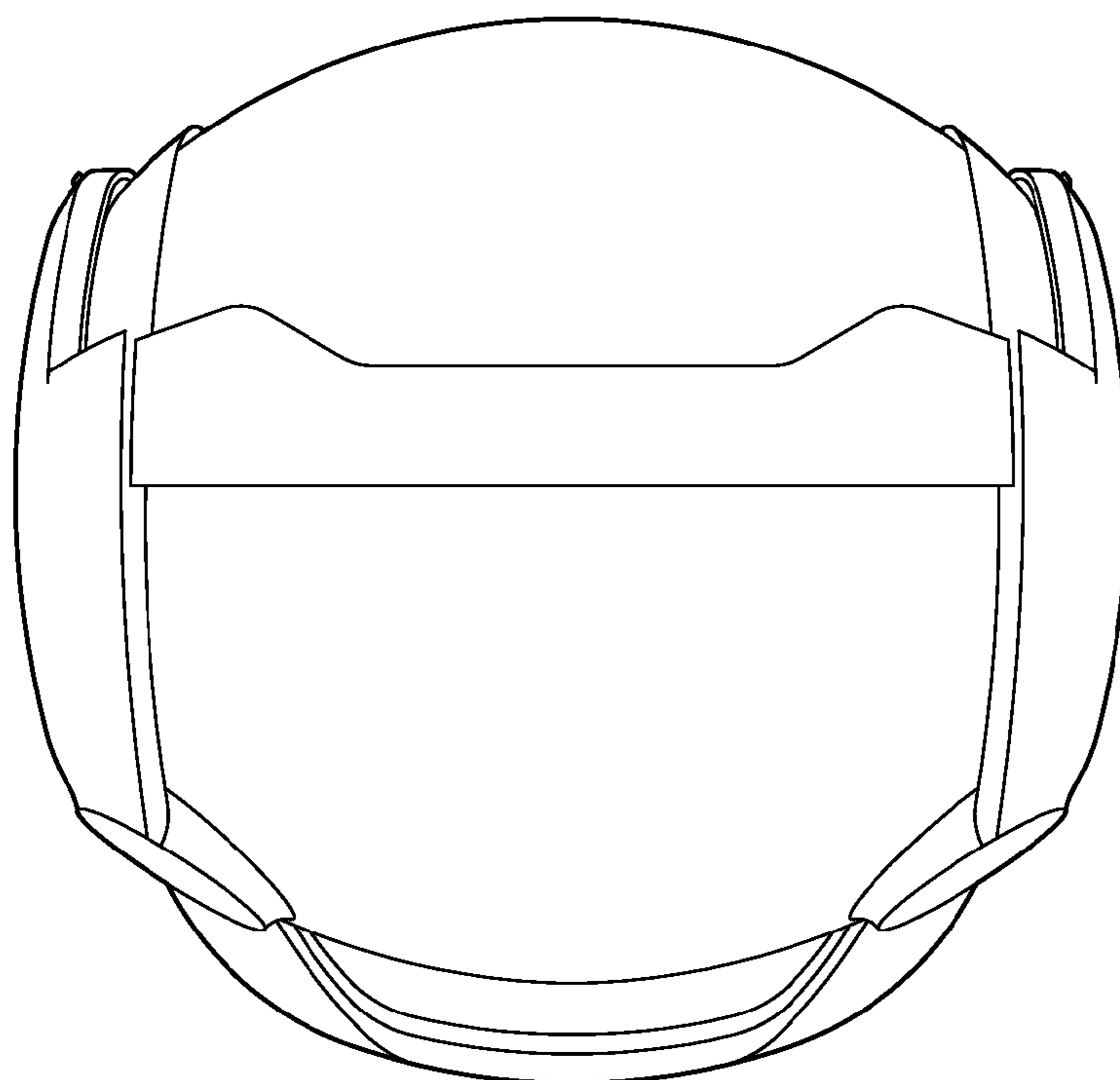
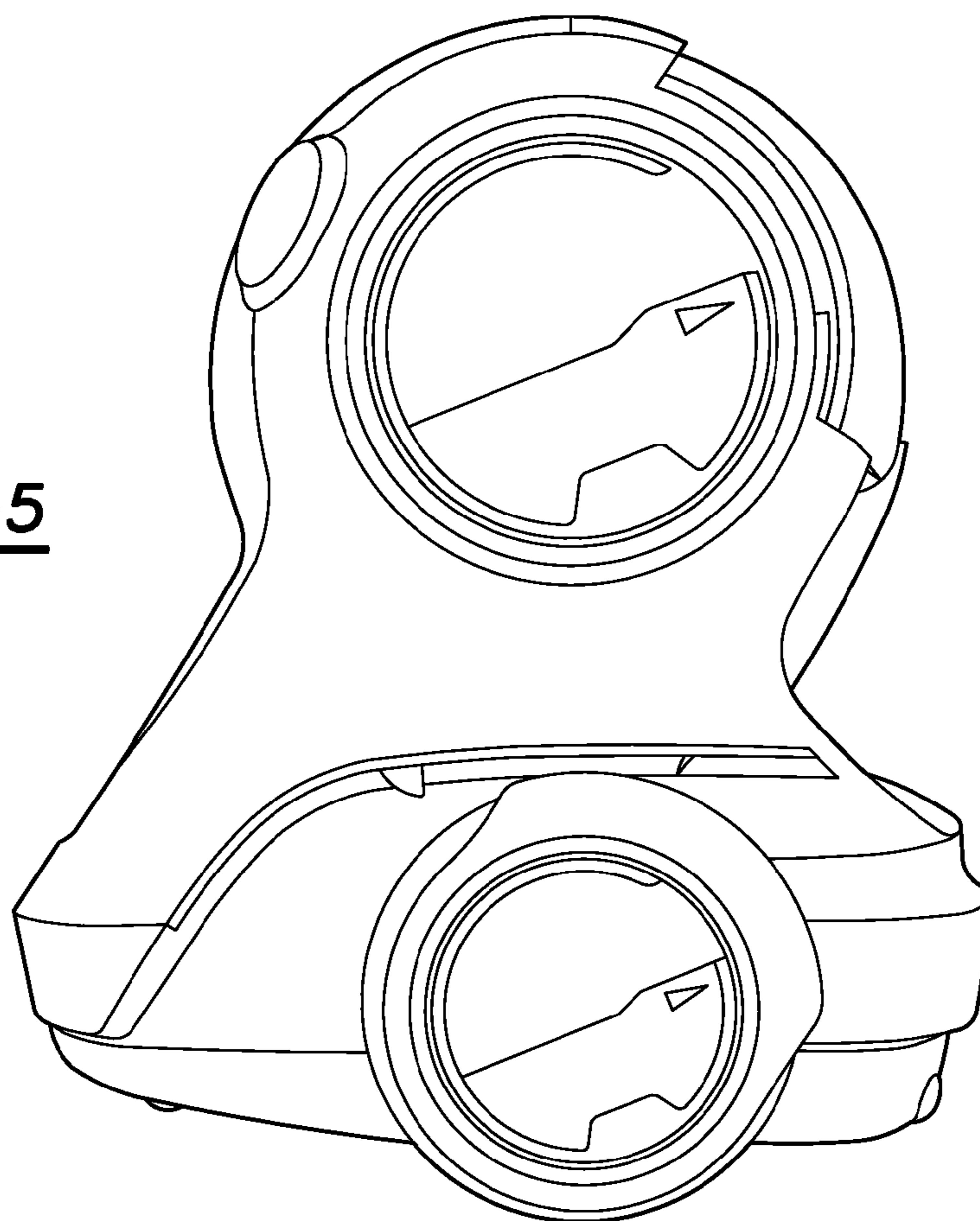


Fig-6