



US00D614525S

(12) **United States Design Patent**  
**Chawla**

(10) **Patent No.:** **US D614,525 S**  
(45) **Date of Patent:** **\*\* Apr. 27, 2010**

(54) **RING**

(75) Inventor: **Ritika J. Chawla**, Mumbai (IN)

(73) Assignee: **Jewelex New York, Ltd.**, New York, NY (US)

(\*\*) Term: **14 Years**

(21) Appl. No.: **29/316,189**

(22) Filed: **Sep. 1, 2009**

(51) **LOC (9) Cl.** ..... **11-01**

(52) **U.S. Cl.** ..... **D11/34**

(58) **Field of Classification Search** ..... D11/26–39,  
D11/89–91; 63/15.1–15.4, 15.45, 15.5, 15.6,  
63/15.65, 15.7, 26–27

See application file for complete search history.

(56) **References Cited**

**U.S. PATENT DOCUMENTS**

D454,315 S \* 3/2002 Ambar ..... D11/34  
D581,308 S \* 11/2008 Fernandez ..... D11/34

**OTHER PUBLICATIONS**

Ring. Accessed Dec. 1, 2009. <http://www.birks.com/media/pictures/semi/000000000000000000005000022078.jpg>\*

Ring. Accessed Dec. 1, 2009. <http://www.25karats.com/articles/wp-content/uploads/2009/10/round.jpg>\*

Ring. Accessed Dec. 1, 2009. [http://www.mulloysjewelry.com/catalog/z\\_sk01821.jpg](http://www.mulloysjewelry.com/catalog/z_sk01821.jpg)\*

\* cited by examiner

*Primary Examiner*—Cathron C Brooks

*Assistant Examiner*—Melanie Levy

(74) *Attorney, Agent, or Firm*—Thomas I. Rozsa

(57) **CLAIM**

The ornamental design for a ring, as shown and described.

**DESCRIPTION**

FIG. 1 is a perspective view of the ring, showing my design;

FIG. 2 is a top plan view thereof;

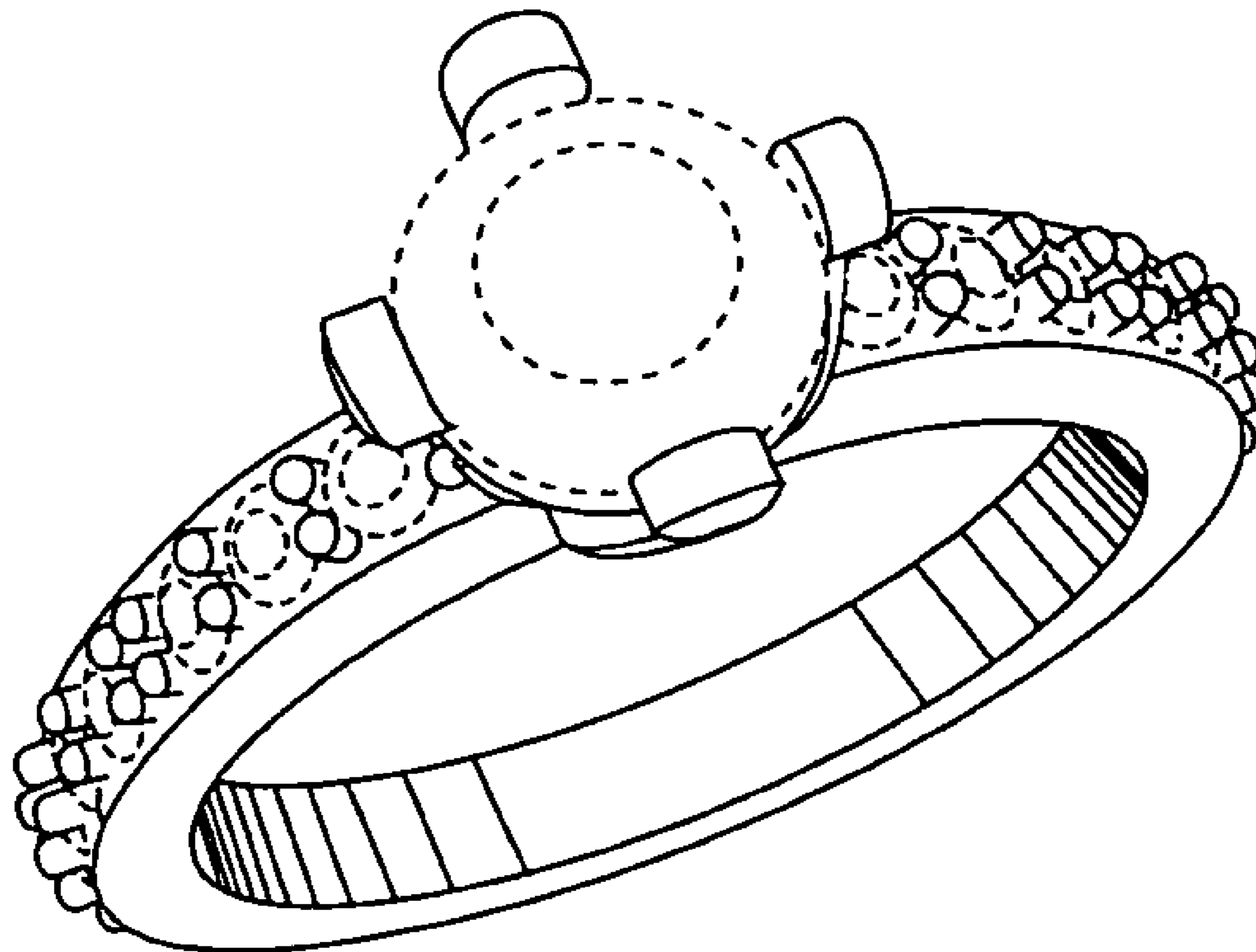
FIG. 3 is a bottom plan view thereof;

FIG. 4 is a front elevational view, the rear elevational view being a mirror image thereof; and,

FIG. 5 is a side elevational view thereof when viewed from the left side, the side elevational view from the right side being a mirror image thereof.

The stones within the setting of the ring are shown in broken lines and do not form any part of the claimed invention.

**1 Claim, 2 Drawing Sheets**



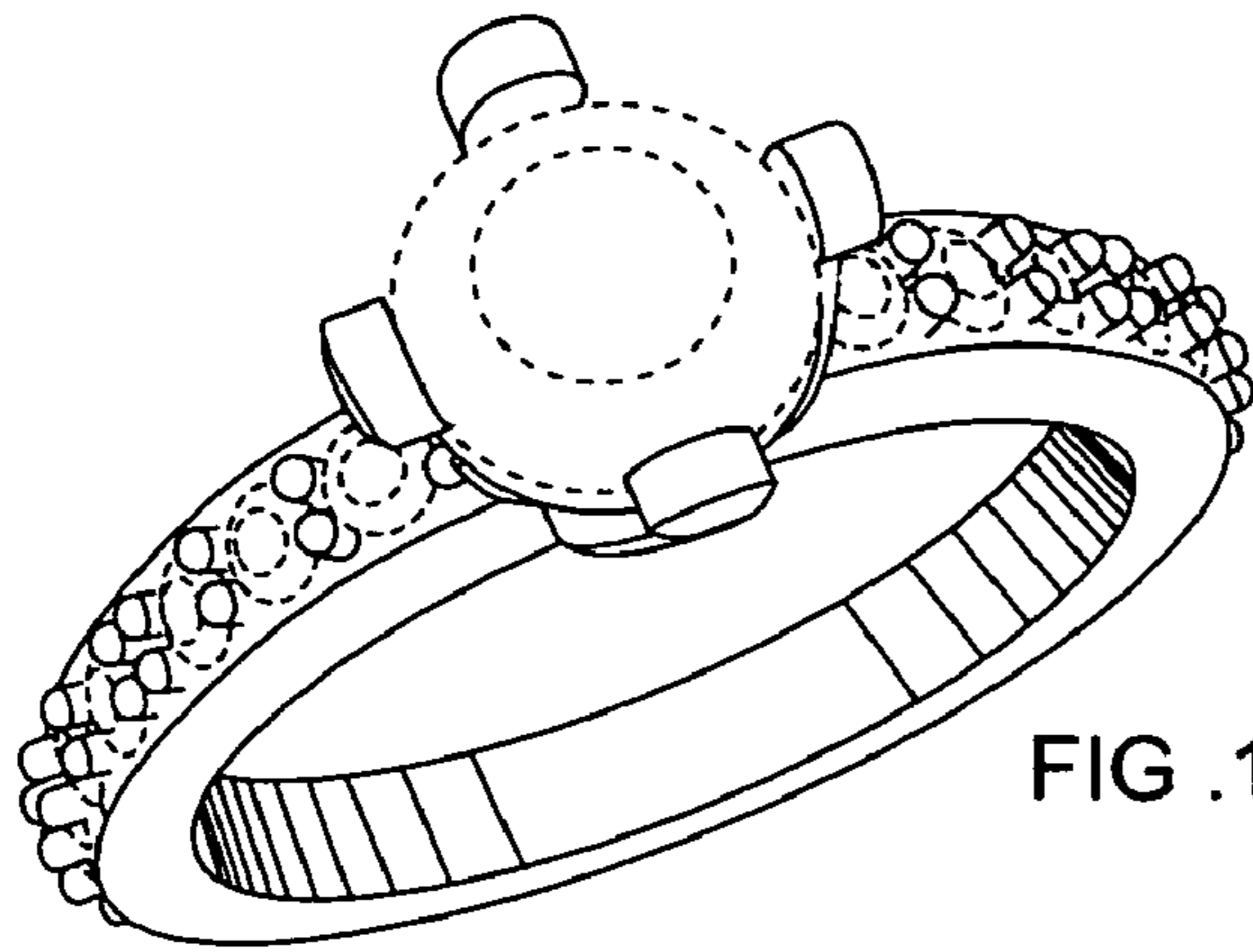


FIG . 1

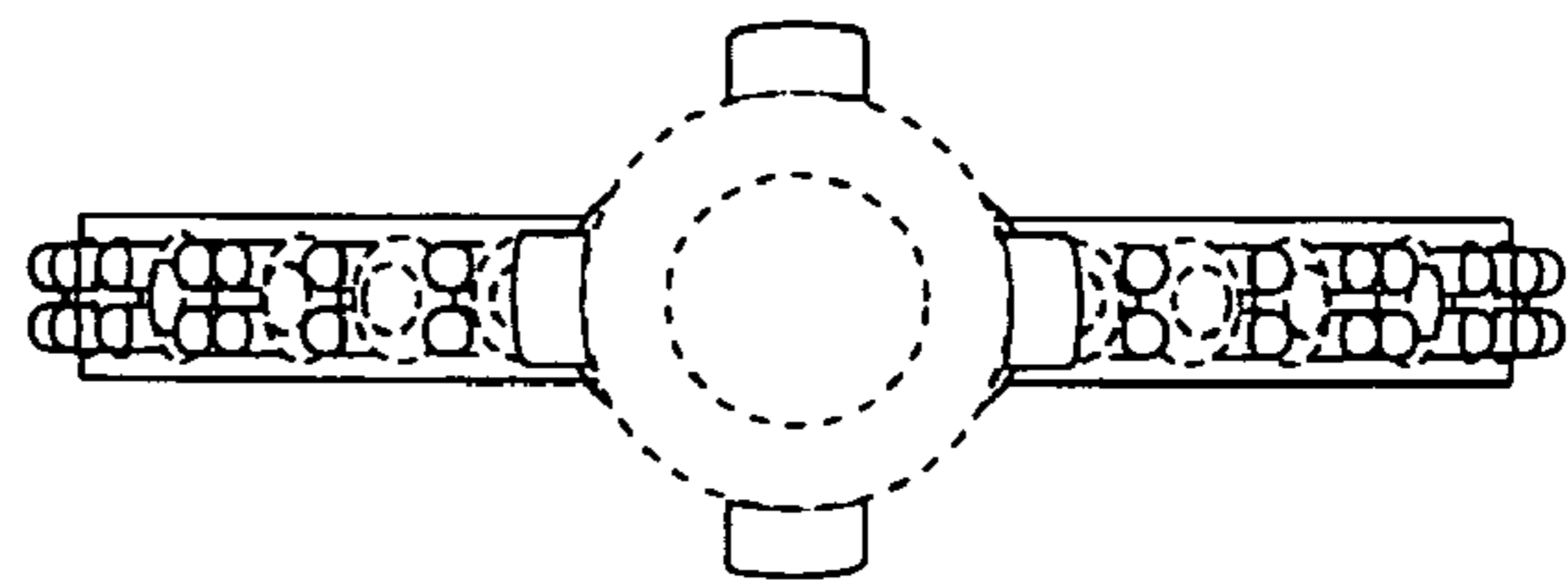


FIG . 2

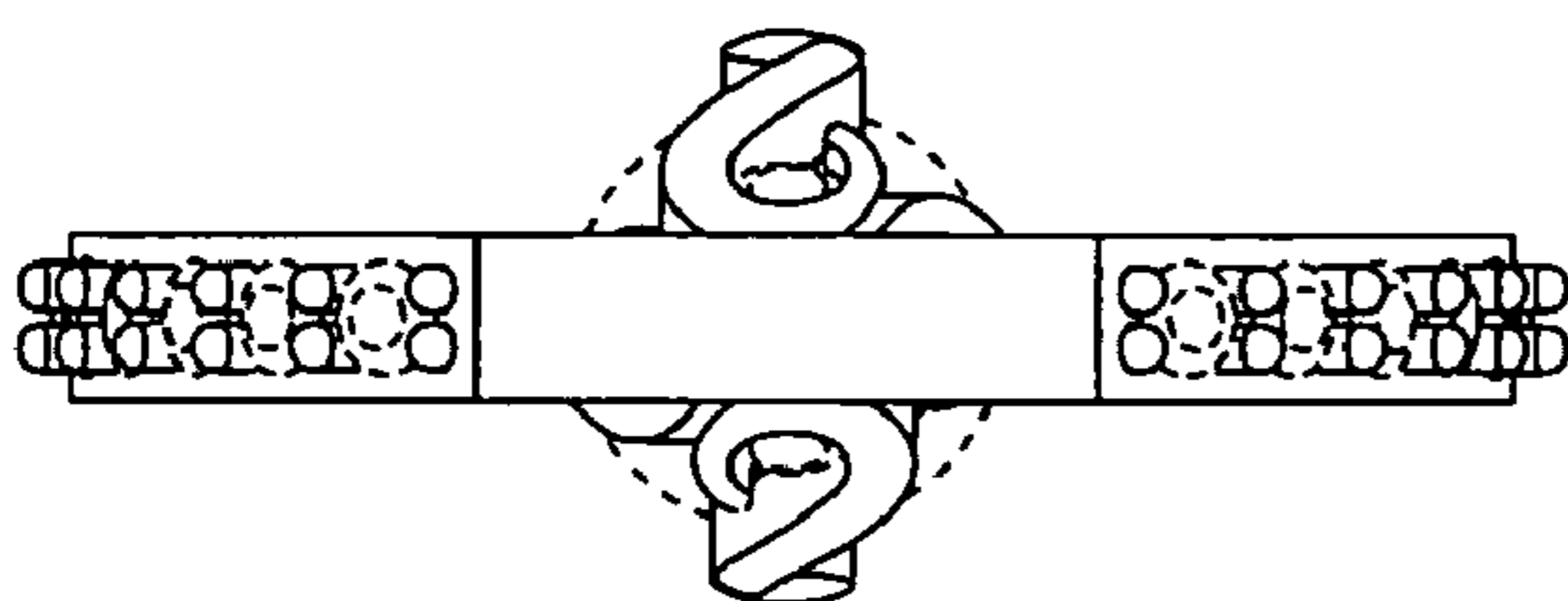


FIG . 3

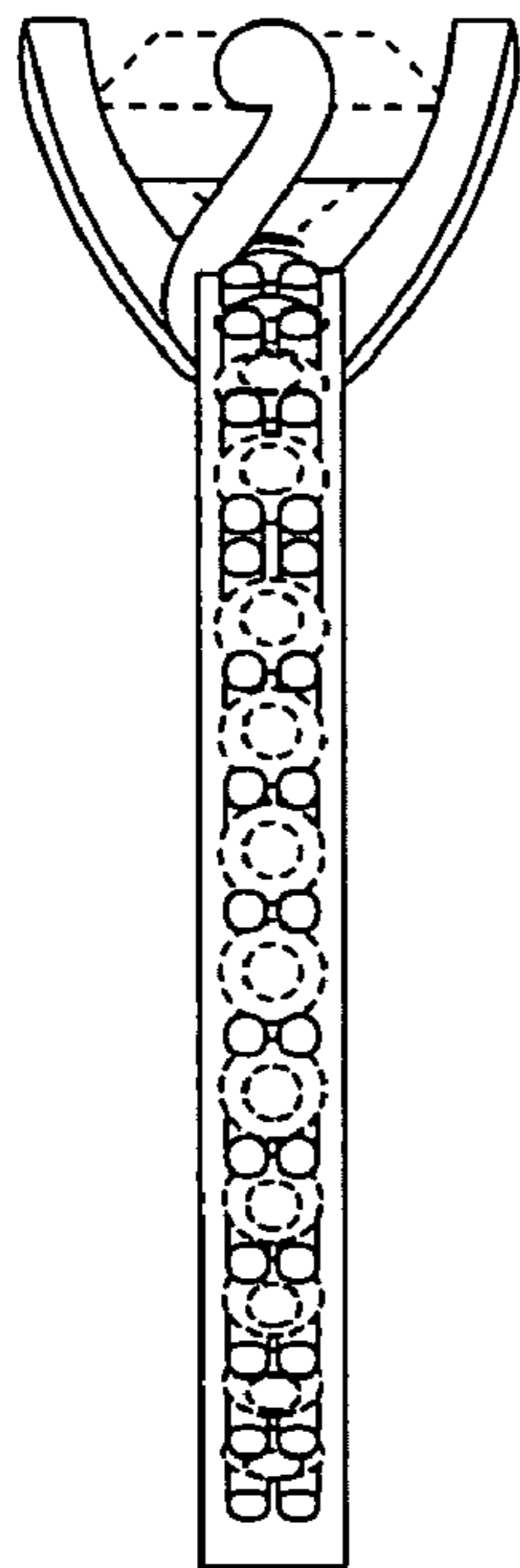


FIG . 5

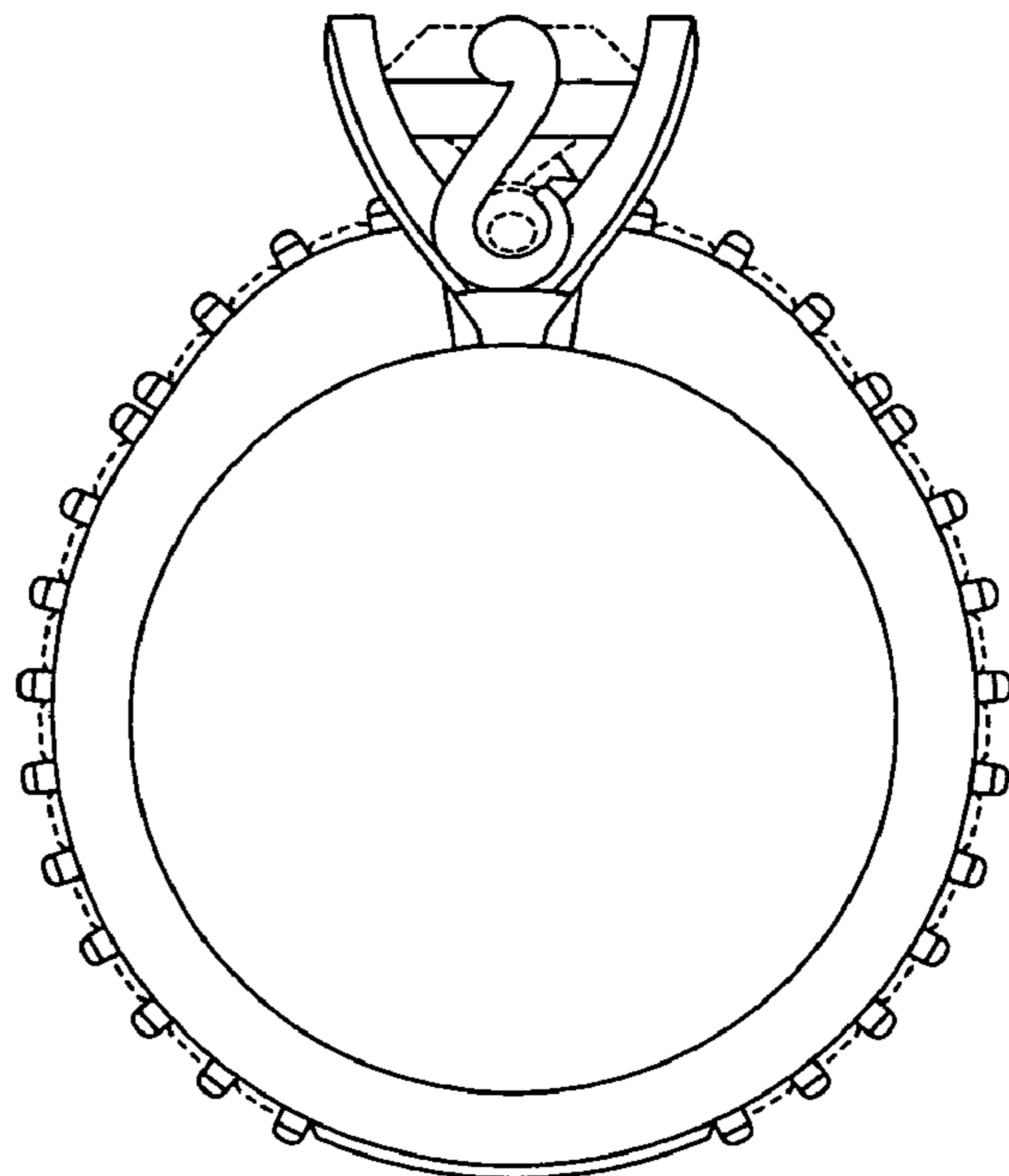


FIG . 4