



US00D614524S

(12) **United States Design Patent**  
**McAlpine et al.**

(10) **Patent No.:** **US D614,524 S**  
(45) **Date of Patent:** **\*\* Apr. 27, 2010**

(54) **PUMP COUPLING**

(75) Inventors: **Michael McAlpine**, Caloundra (AU);  
**Robert Turner**, Caloundra (AU)

(73) Assignee: **Weir Minerals Australia, Ltd.**,  
Artarmon (AU)

(\*\*) Term: **14 Years**

(21) Appl. No.: **29/314,292**

(22) Filed: **Mar. 18, 2009**

(30) **Foreign Application Priority Data**

Sep. 22, 2008 (AU) ..... 14549/2008

(51) **LOC (9) Cl.** ..... **15-02**

(52) **U.S. Cl.** ..... **D11/7**

(58) **Field of Classification Search** ..... D15/7-9;  
D23/231, 232, 225; 417/410.1, 359, 415-416,  
417/234, 321, 265, 405

See application file for complete search history.

(56) **References Cited**

**U.S. PATENT DOCUMENTS**

3,144,832 A \* 8/1964 Haynes ..... 415/185  
D245,005 S \* 7/1977 Carter ..... D15/9  
D258,508 S \* 3/1981 Serrambana ..... D15/7  
D293,912 S \* 1/1988 Wilgus et al. .... D15/7

D309,308 S \* 7/1990 Webb ..... D15/7  
D404,742 S \* 1/1999 Versaw et al. .... D15/7  
D429,735 S \* 8/2000 Versaw et al. .... D15/7  
D469,111 S \* 1/2003 Morita et al. .... D15/9  
D490,819 S \* 6/2004 Wahlberg ..... D15/7  
D603,878 S \* 11/2009 Chu ..... D15/9

\* cited by examiner

*Primary Examiner*—Ralf Seifert

(74) *Attorney, Agent, or Firm*—Morriss O’Bryant Compagni

(57) **CLAIM**

The ornamental design for the pump coupling, as shown and described herein.

**DESCRIPTION**

FIG. 1 is a perspective view of the present invention depicting a first end of the pump coupling;

FIG. 2 is a perspective view of the invention depicting a second end of the pump coupling shown in FIG. 1;

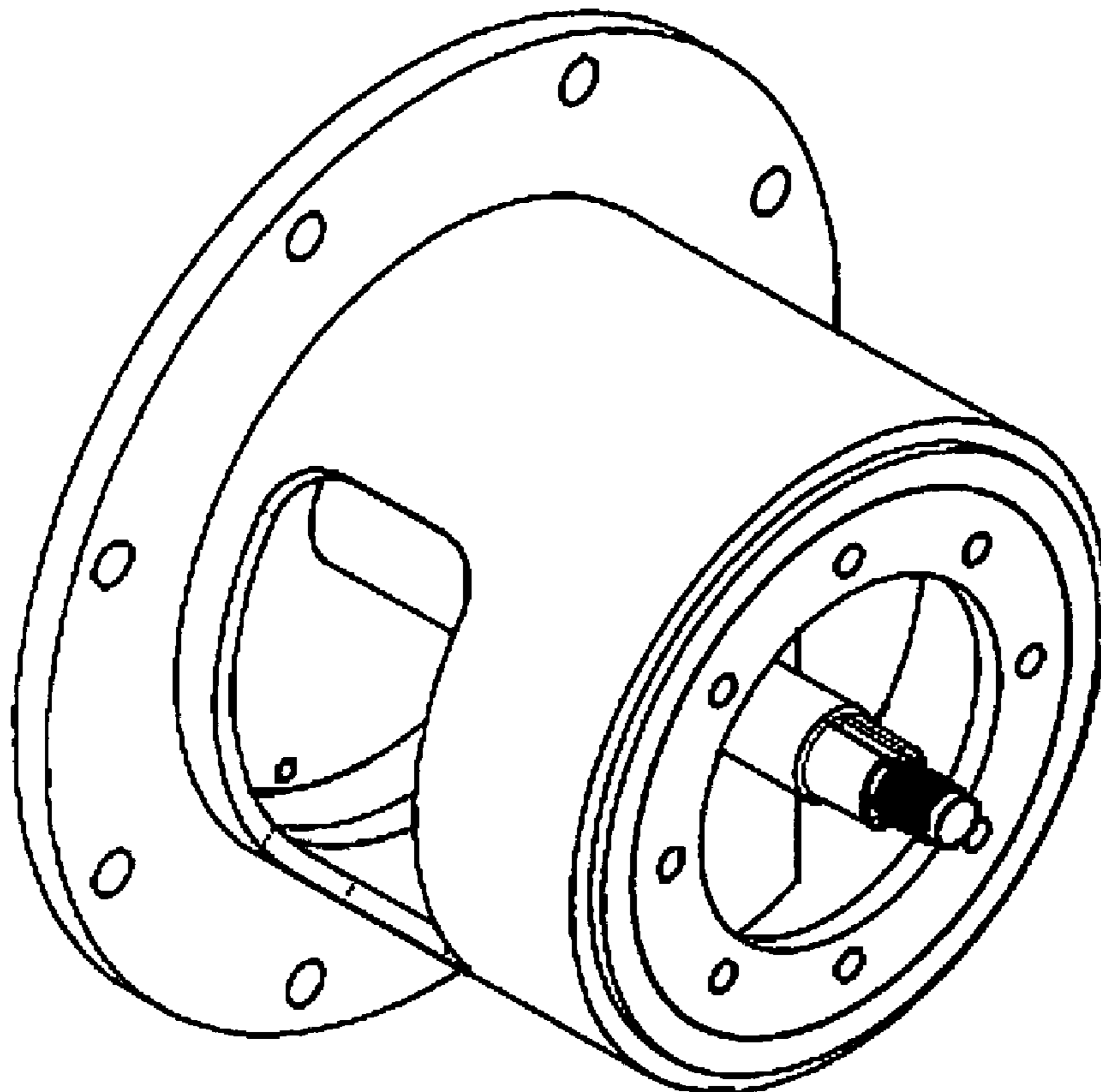
FIG. 3 is a side view in elevation of the pump coupling;

FIG. 4 is a side view in elevation of the pump coupling as shown in FIG. 3, rotated 180°;

FIG. 5 is a plan view of the pump coupling, as depicted in FIG. 1; and,

FIG. 6 is a side view in elevation of the first end of the pump coupling depicted in FIG. 1.

**1 Claim, 4 Drawing Sheets**



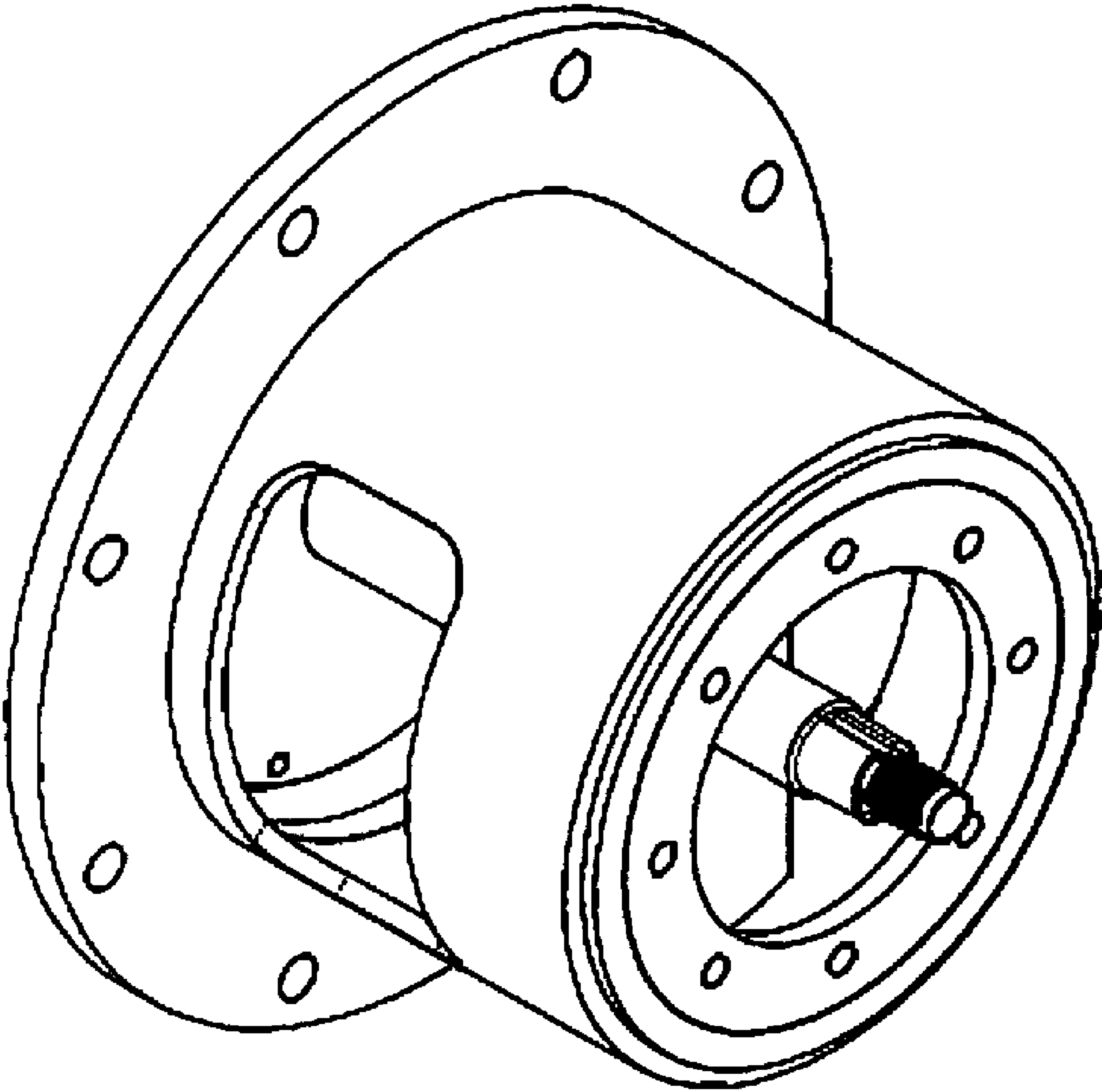


Figure 1

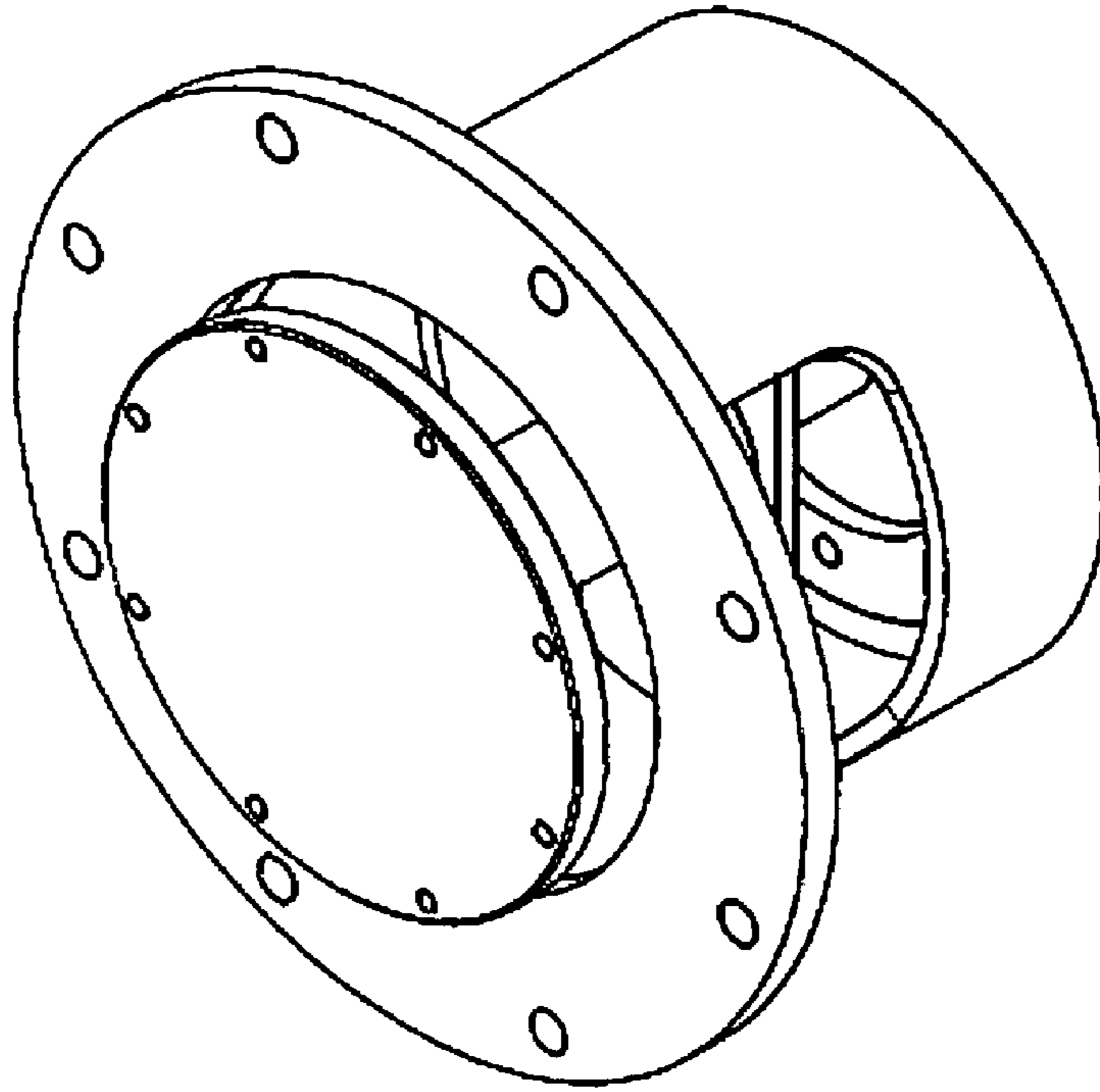


Figure 2

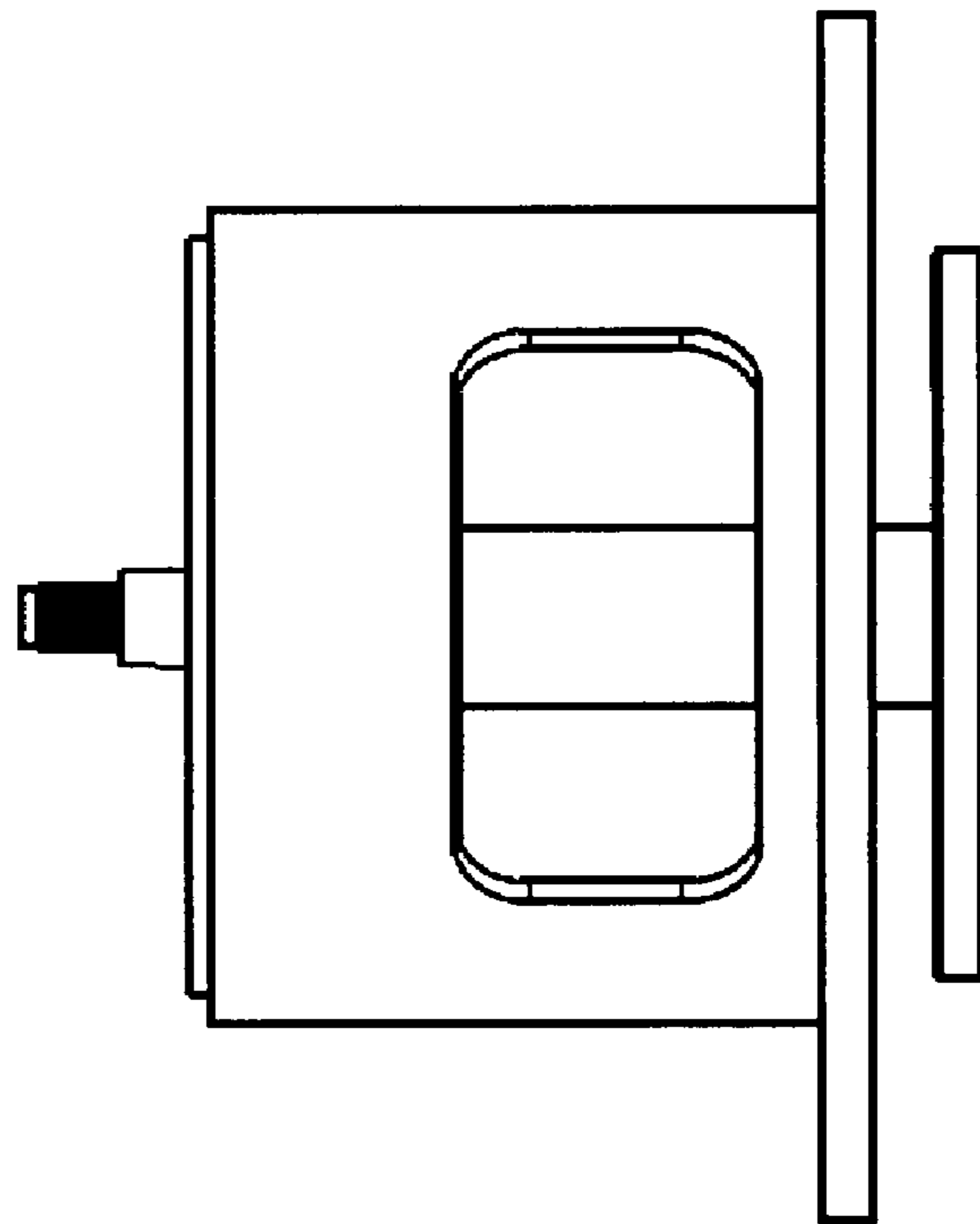


Figure 3

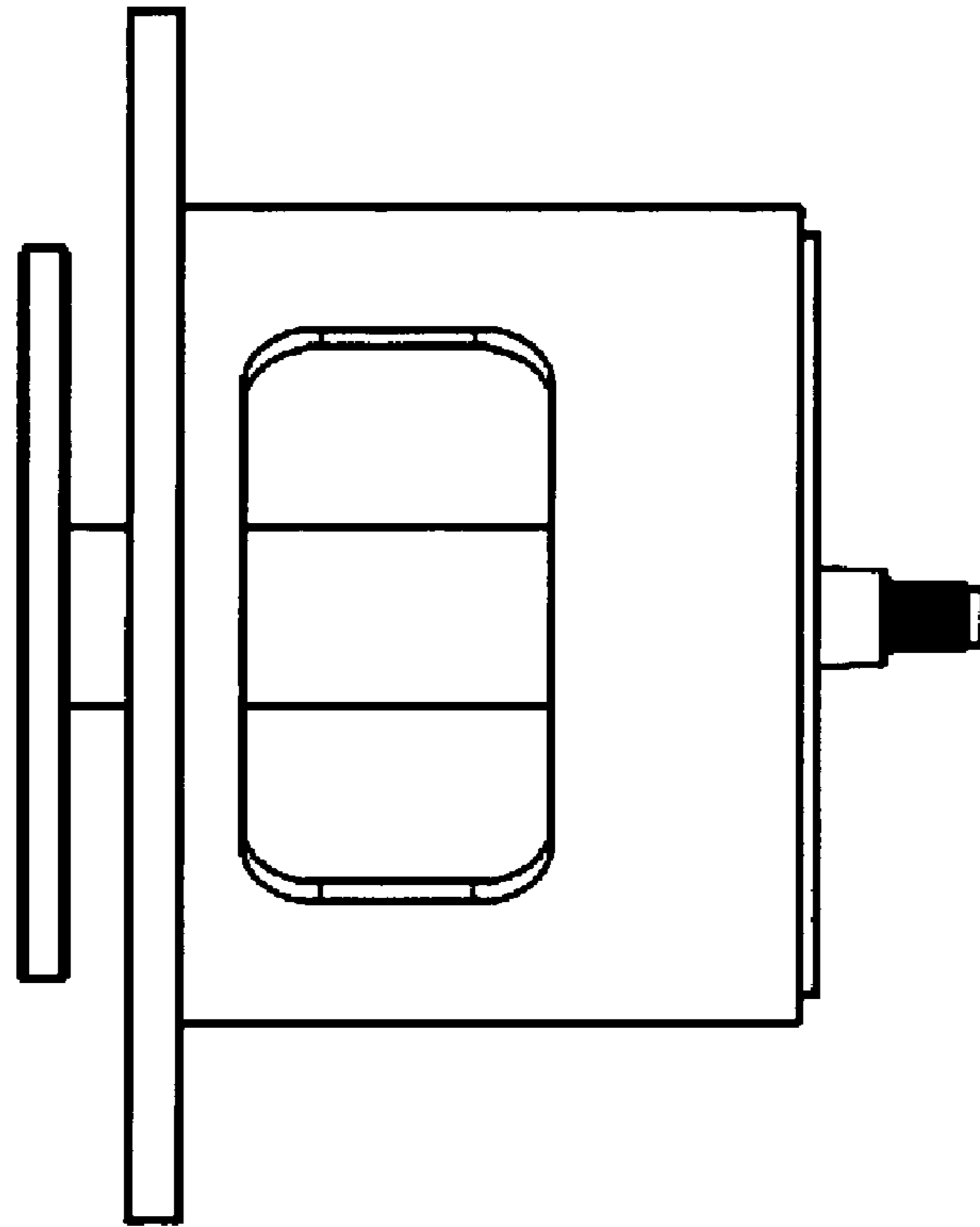


Figure 4

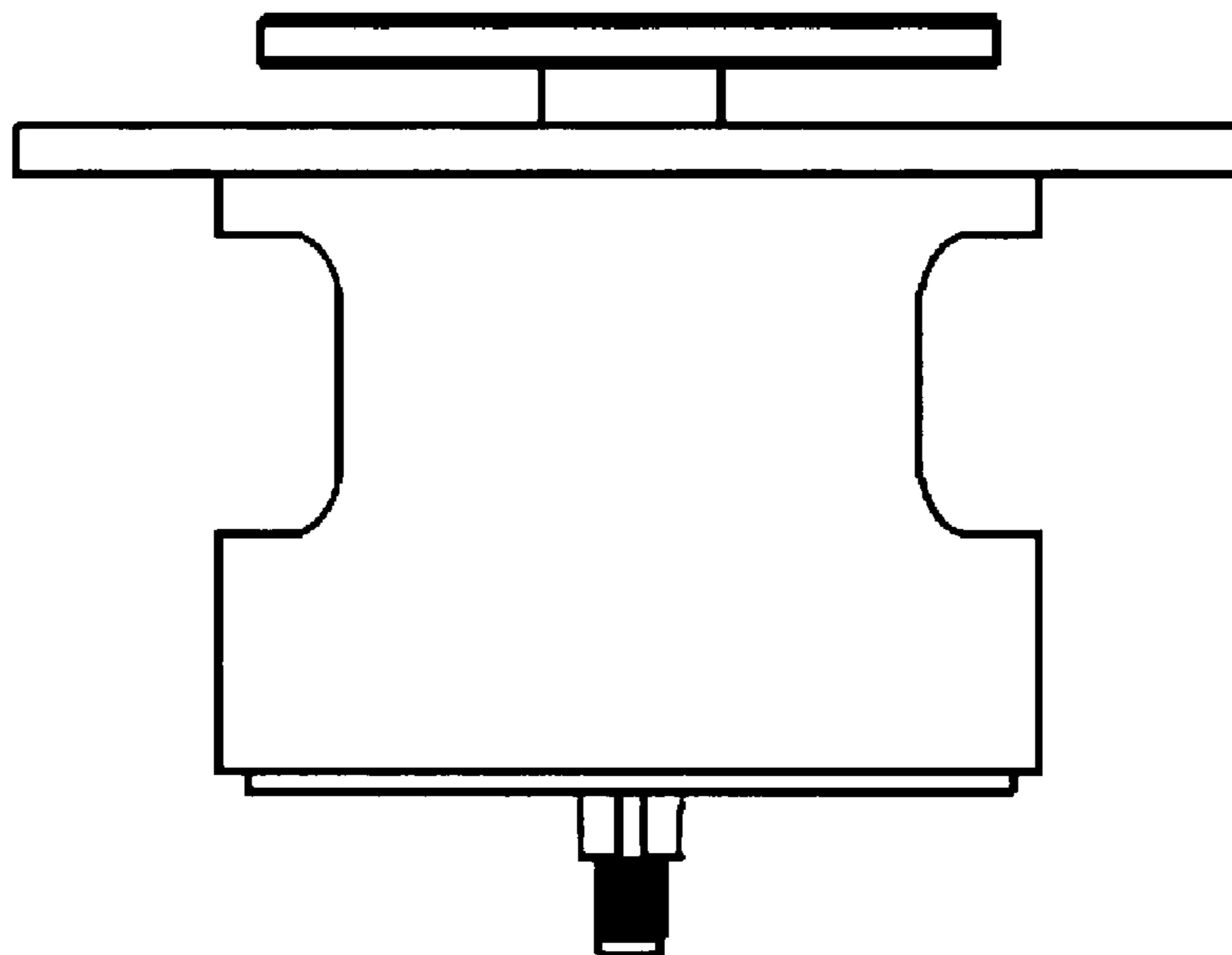


Figure 5

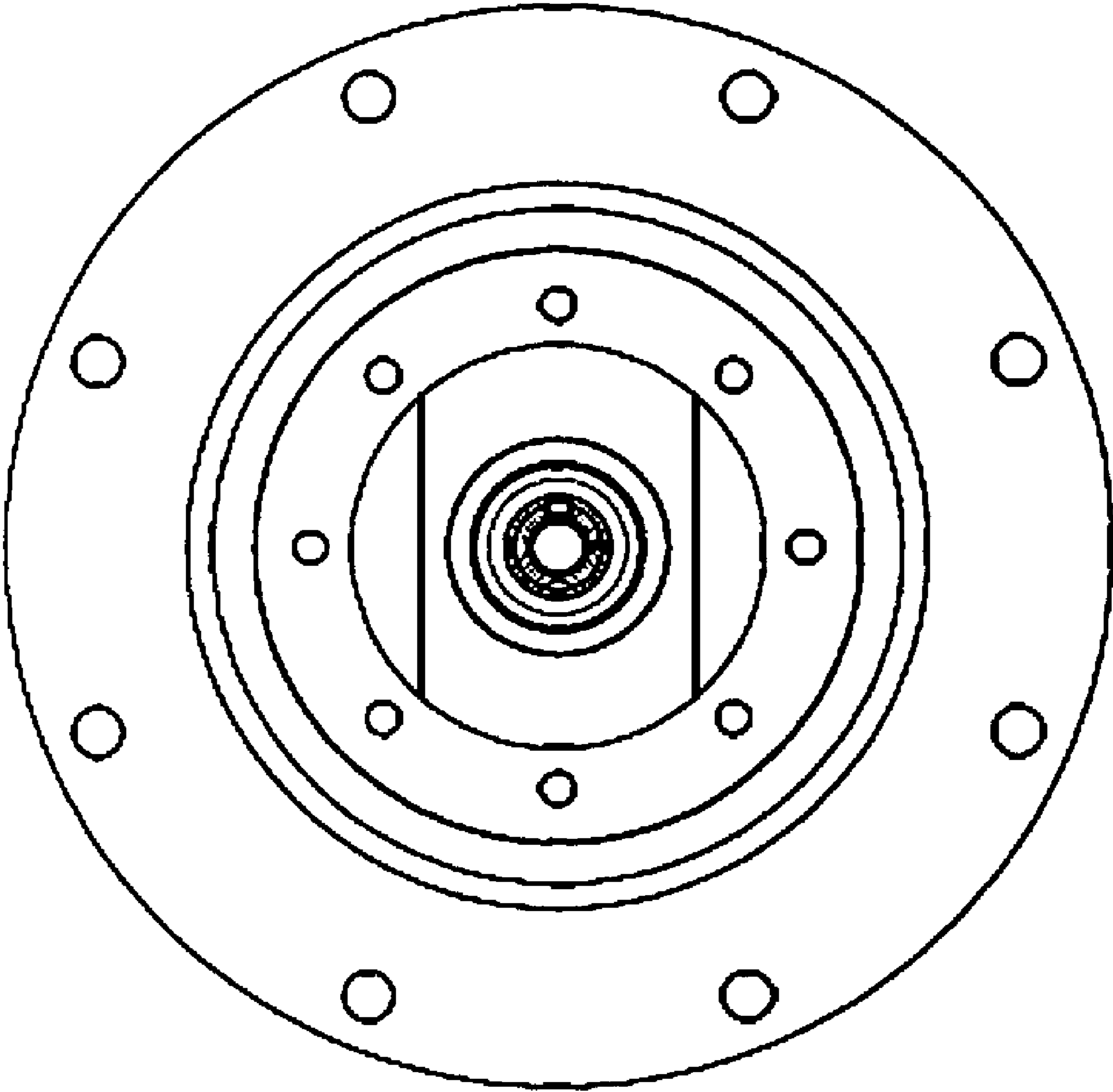


Figure 6