



US00D614522S

(12) **United States Design Patent**  
**Shin**

(10) **Patent No.:** **US D614,522 S**

(45) **Date of Patent:** **\*\* Apr. 27, 2010**

(54) **WARNING LIGHT LENS**

(76) **Inventor:** **David D Shin**, 7322 Madison St.,  
Paramount, CA (US) 90723

(\*\*) **Term:** **14 Years**

(21) **Appl. No.:** **29/352,289**

(22) **Filed:** **Dec. 18, 2009**

(51) **LOC (9) Cl.** ..... **10-05**

(52) **U.S. Cl.** ..... **D10/114**

(58) **Field of Classification Search** ..... D10/109,  
D10/111, 114; D26/29-31, 60, 37, 24; 362/158,  
362/171-174, 183-208

See application file for complete search history.

(56) **References Cited**

**U.S. PATENT DOCUMENTS**

D118,717 S	1/1940	Alm	
3,093,320 A	6/1963	Knapp	
D205,957 S	10/1966	Skokie	
D215,117 S	9/1969	Stahl	
D221,106 S	7/1971	Tixier	
4,020,047 A	4/1977	Burland	
D246,131 S	10/1977	Schifrin	
D246,330 S *	11/1977	Krase et al.	..... D26/76
D248,791 S	8/1978	Tixier	
D255,883 S	7/1980	Ferenc	
D282,687 S	2/1986	McMahon	
D352,914 S	11/1994	Sours	
D375,180 S	10/1996	Lyons	
D397,633 S *	9/1998	Yang et al.	..... D10/111
D402,576 S	12/1998	Yang et al.	
D407,168 S *	3/1999	Arakelian	..... D26/28
D414,712 S *	10/1999	Yang et al.	..... D10/111
D483,511 S	12/2003	Lay	
D530,437 S	10/2006	Neufeglise	
D542,948 S	5/2007	Columbro	
D564,108 S	3/2008	Lassen	
D583,695 S *	12/2008	Grote, Jr.	..... D10/109

D584,180 S	1/2009	Pokorny
D589,835 S	4/2009	Pokorny
D591,187 S	4/2009	Pokorny
D591,188 S	4/2009	Pokorny
D593,428 S	6/2009	Lyons
D595,172 S	6/2009	Pokorny
2005/0190553 A1	9/2005	Lynch et al.

\* cited by examiner

*Primary Examiner*—Caron Veynar

*Assistant Examiner*—George D Kirschbaum

(74) *Attorney, Agent, or Firm*—Kirk A. Buhler; Buhler & Associates

(57) **CLAIM**

The ornamental design of a warning light lens, as shown and described.

**DESCRIPTION**

FIG. 1 is a top perspective view for a warning light lens showing my new design;

FIG. 2 is a top view thereof;

FIG. 3 is a right view, the opposite left side is a mirror image thereof;

FIG. 4 is a bottom view thereof;

FIG. 5 is a front view, the opposite back side is a mirror image thereof;

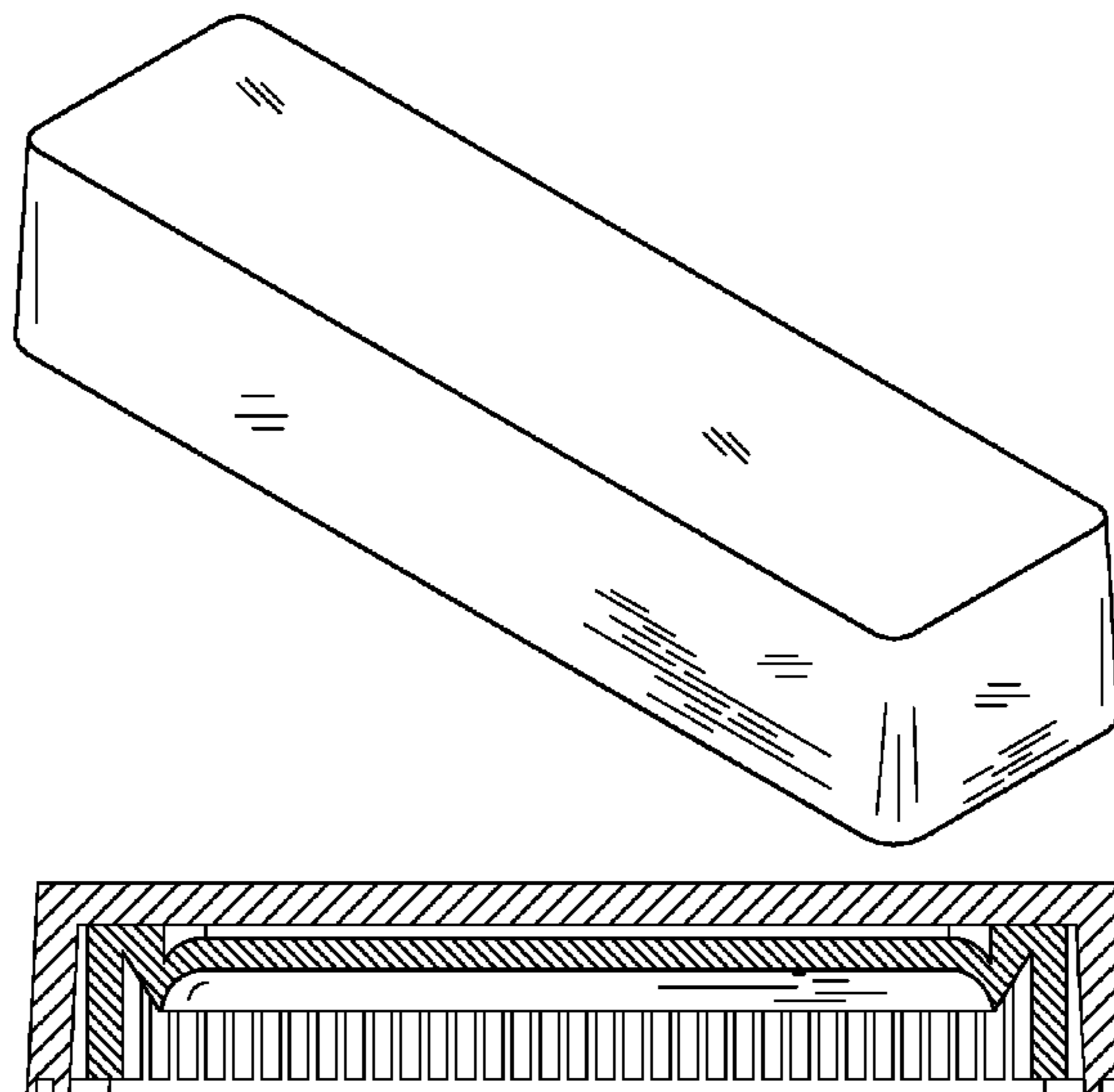
FIG. 6 is a cross-sectional view taken along lines 6—6 from FIG. 4 thereof;

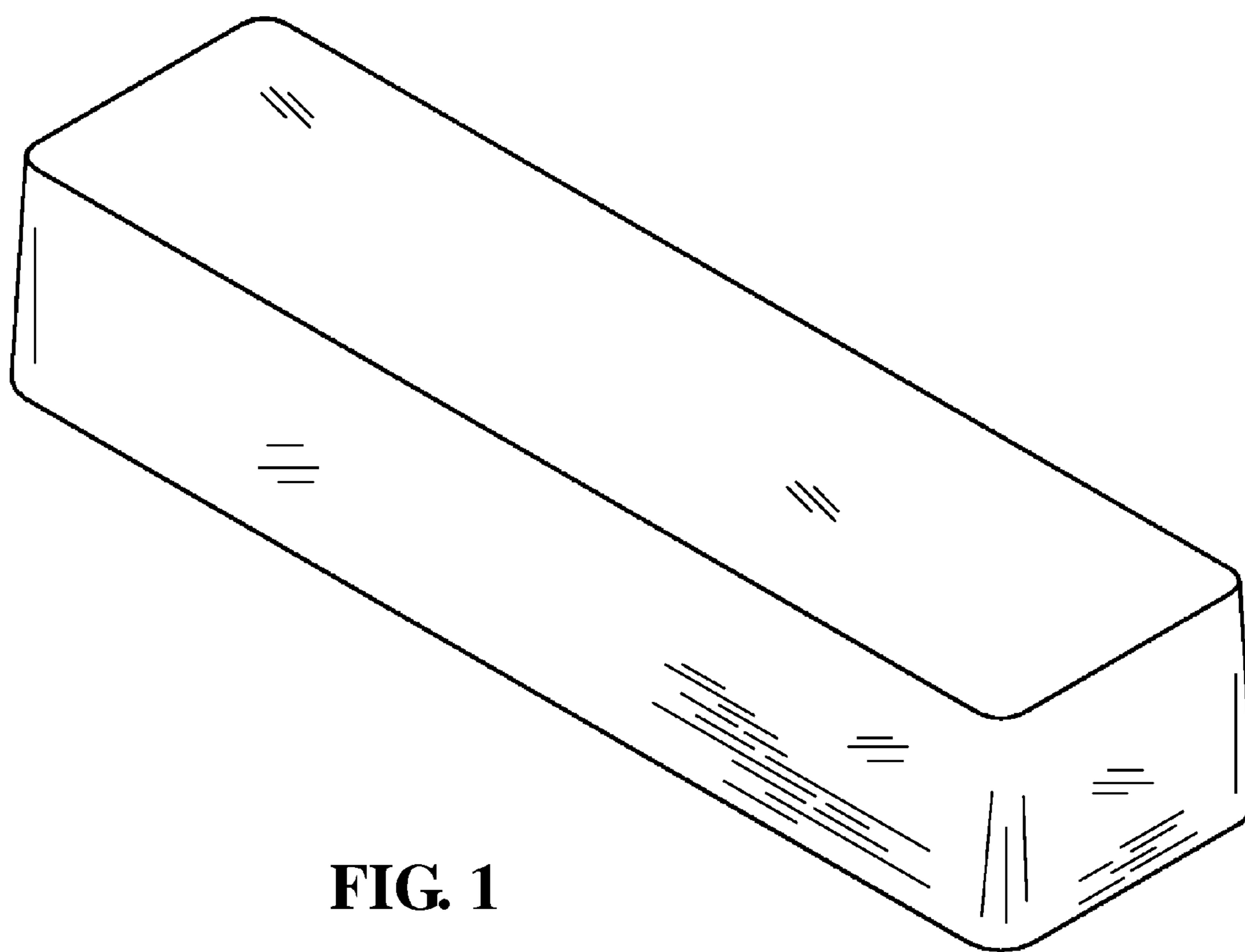
FIG. 7 is a cross-sectional view taken along lines 7—7 from FIG. 4; and,

FIG. 8 is a perspective view of the warning light lens with environmental mounted hardware.

The broken lines in FIG. 8 depict environmental subject matter of mounting hardware for the invention only and form no part of the claimed design.

**1 Claim, 4 Drawing Sheets**





**FIG. 1**



FIG. 2

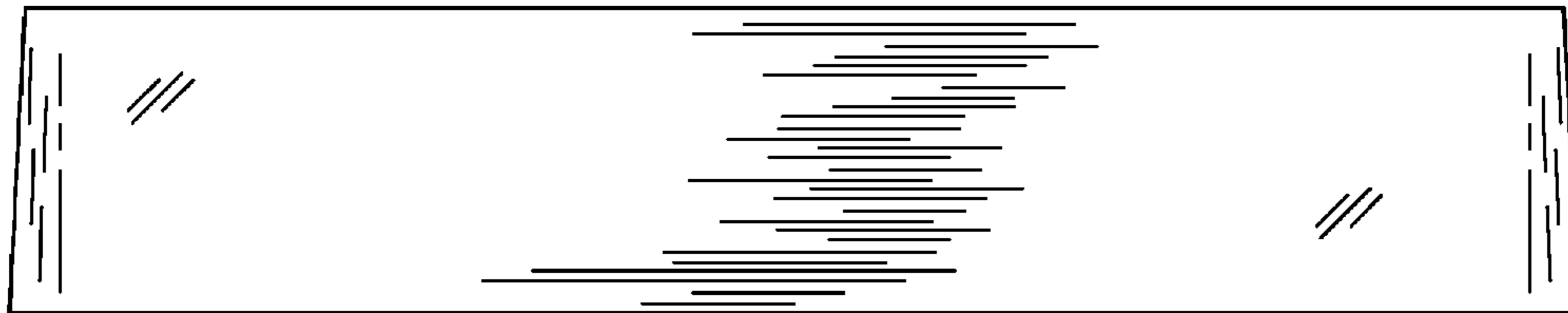


FIG. 3

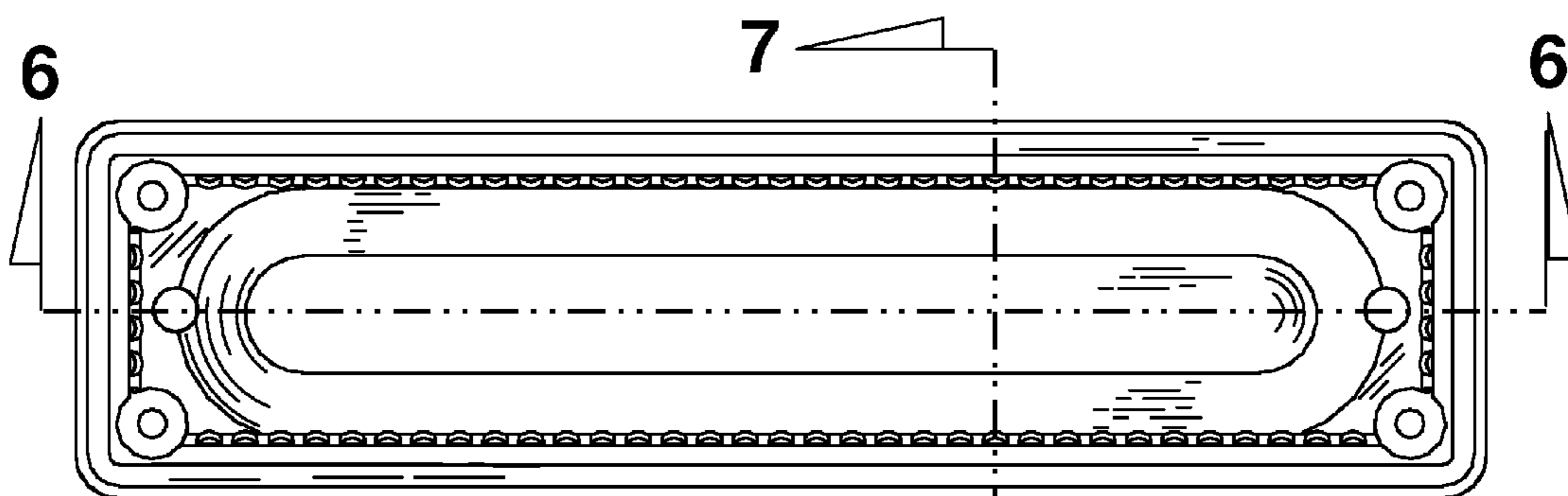
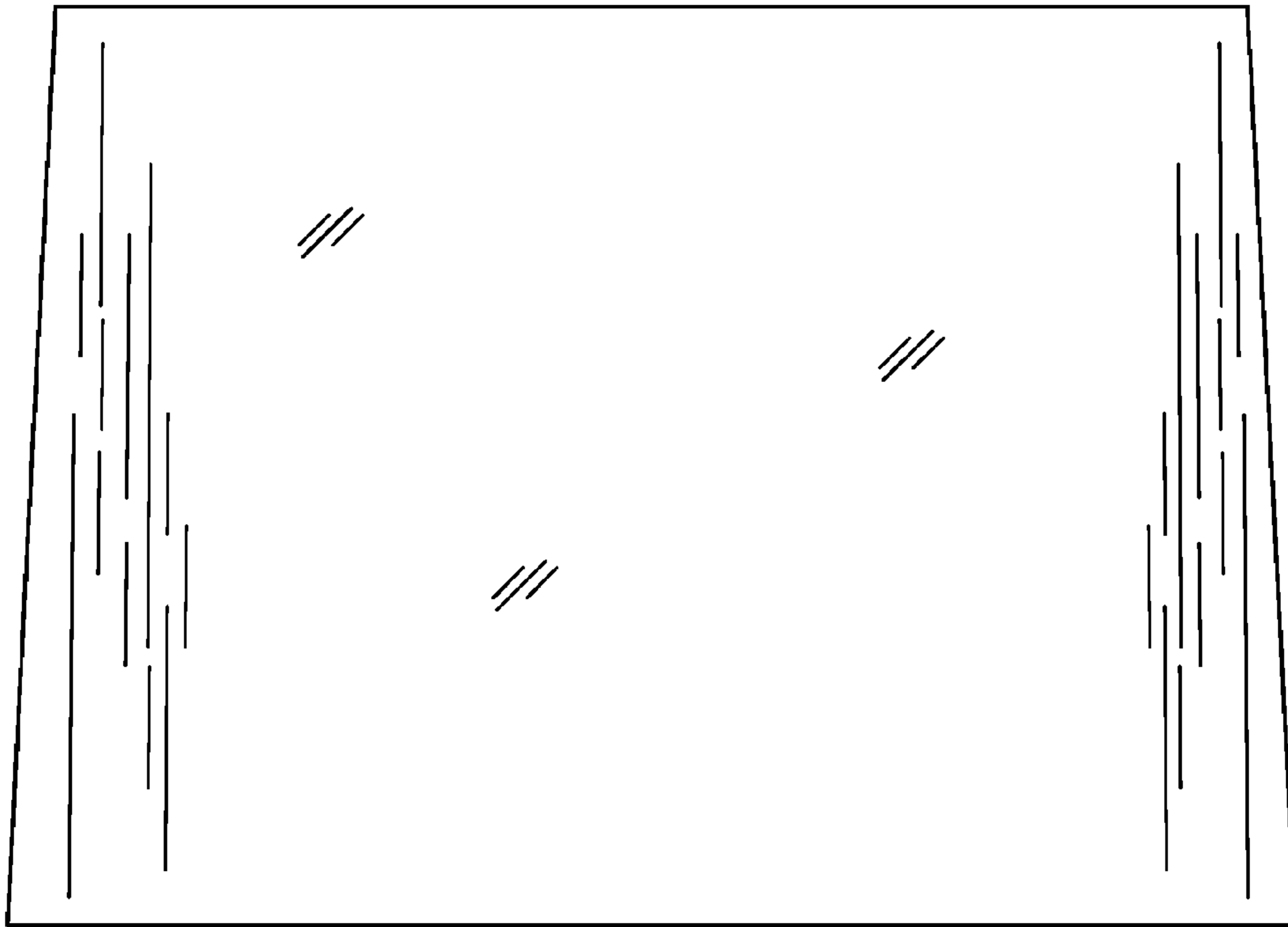
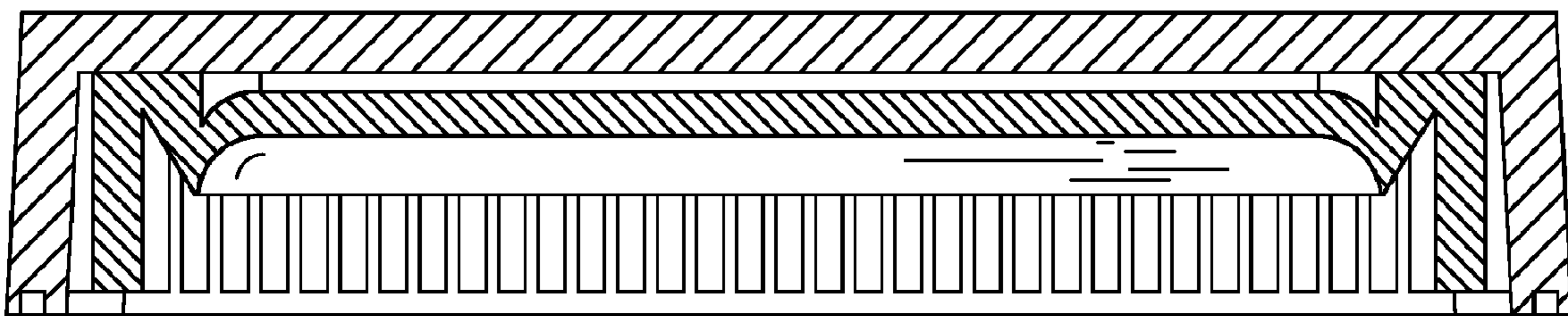


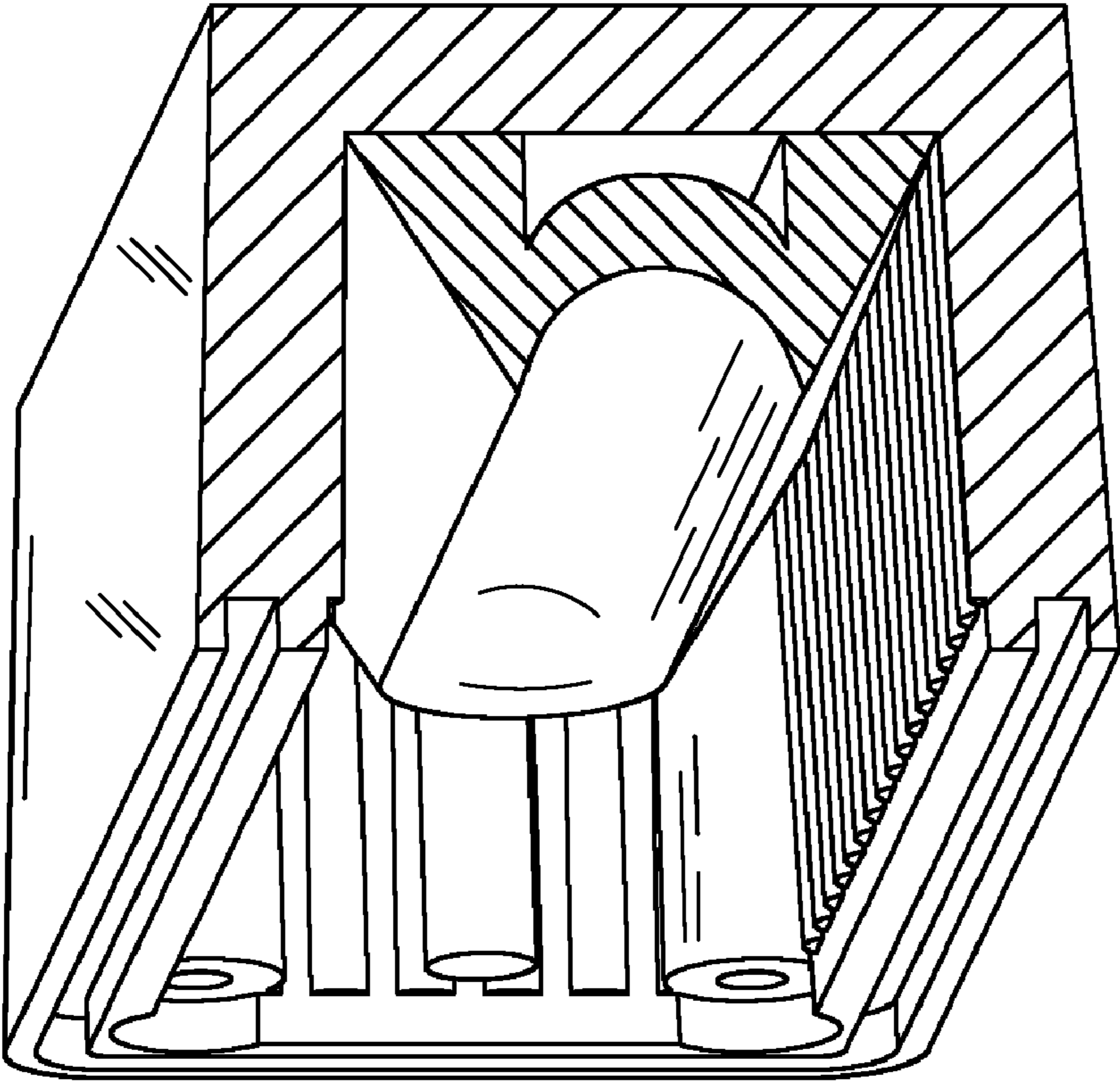
FIG. 4



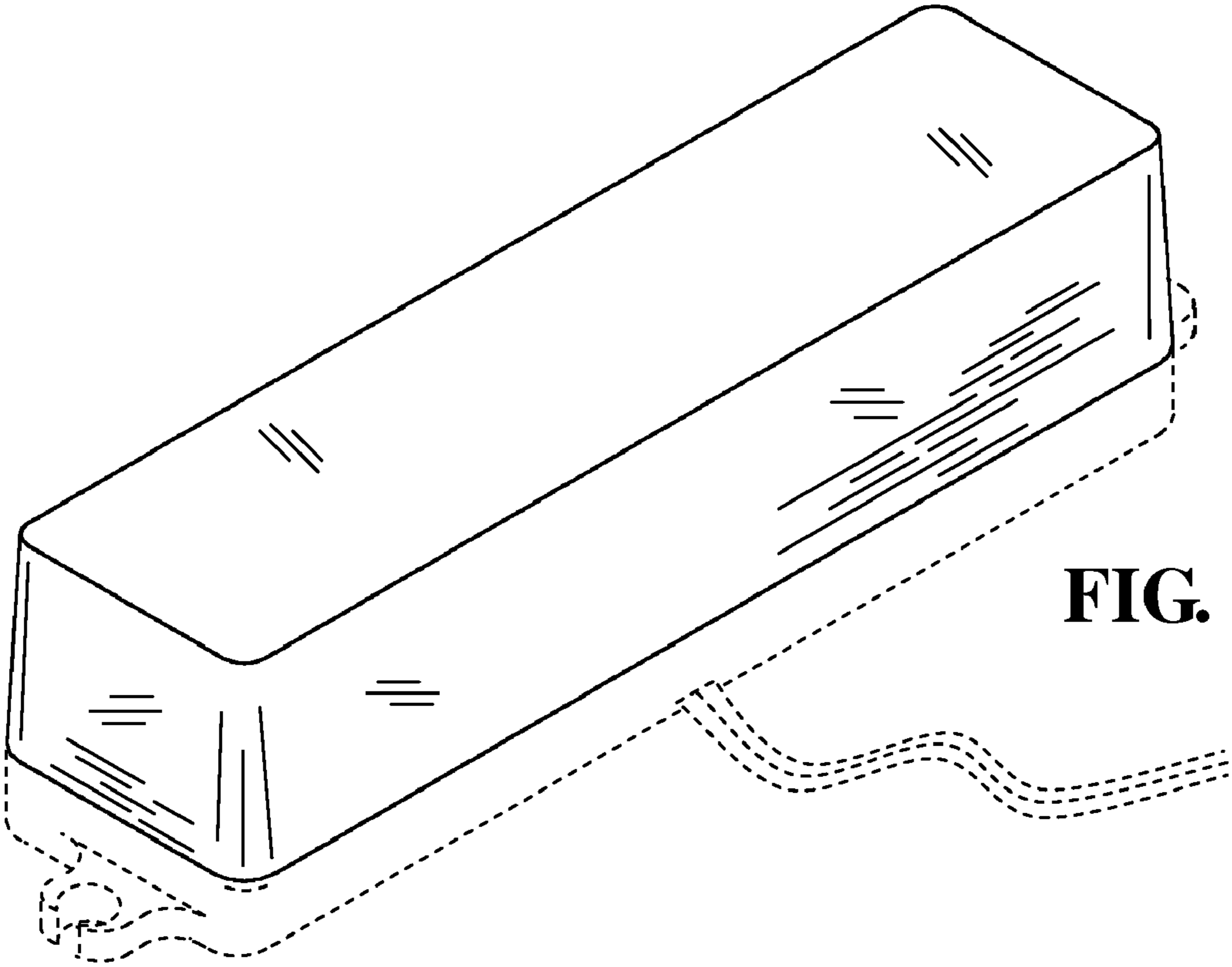
**FIG. 5**



**FIG. 6**



**FIG. 7**



**FIG. 8**