



US00D614518S

(12) **United States Design Patent**
Li et al.

(10) **Patent No.:** **US D614,518 S**
(45) **Date of Patent:** **** Apr. 27, 2010**

(54) **INFANT WEIGHT SCALE ASSEMBLY**

(75) Inventors: **Weilong Li**, Schaumburg, IL (US);
Jiwen Lu, Schaumburg, IL (US);
Ricardo Murguia, Schaumburg, IL (US);
James Montagnino, St. Charles, IL (US);
Charles Choi, Chicago, IL (US);
Mark Pavel, Chicago, IL (US);
Nathan J. Luman, Chicago, IL (US)

(73) Assignee: **NCI Technology, Inc.**, Schaumburg, IL (US)

(**) Term: **14 Years**

(21) Appl. No.: **29/311,901**

(22) Filed: **Jul. 27, 2009**

(51) **LOC (9) Cl.** **10-04**

(52) **U.S. Cl.** **D10/91**

(58) **Field of Classification Search** D10/88-94;
177/210 R, 210 C, 210 GM, 210 PP, 236,
177/245, DIG. 3, 25.12-25.18, 177, 126,
177/1, 181, 25, 30, 127, 131, 148, 225, 21 EM,
177/21 FP, 212-214, 211; 600/506, 547
See application file for complete search history.

(56) **References Cited**

U.S. PATENT DOCUMENTS

D592,534 S * 5/2009 Kousuge D10/91

* cited by examiner

Primary Examiner—Antoine D Davis
(74) *Attorney, Agent, or Firm*—Dillis V. Allen, Esq.

(57) **CLAIM**

The ornamental design for an infant weight scale assembly, as shown and described.

DESCRIPTION

FIG. 1 is a front view of the present infant weight scale assembly design;

FIG. 2 is a rear view of the present infant weight scale assembly design;

FIG. 3 is a left side view of the present infant weight scale assembly design;

FIG. 4 is a right side view of the present infant weight scale assembly design;

FIG. 5 is a top view of the present infant weight scale assembly design;

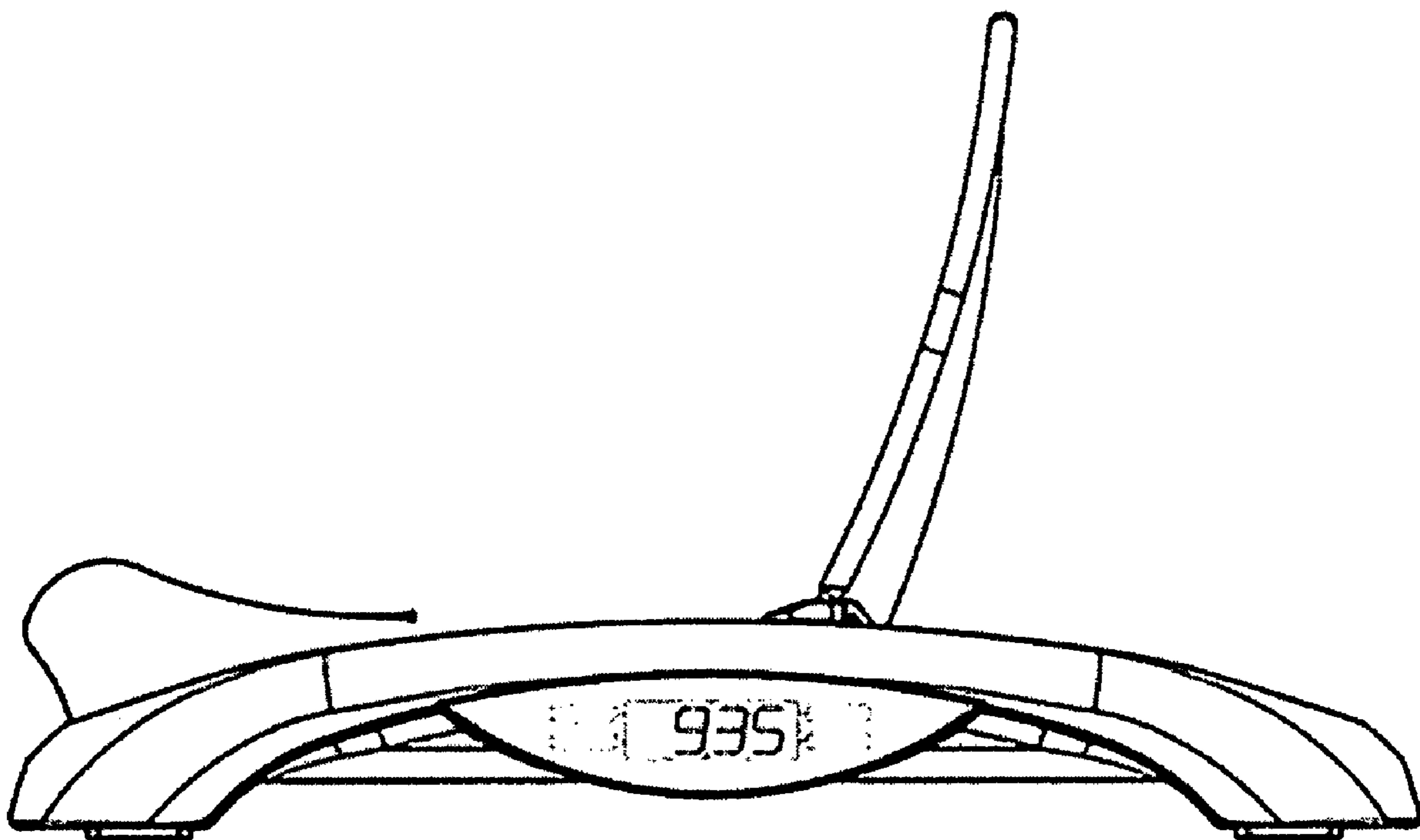
FIG. 6 is a bottom view of the present infant weight scale assembly design, and;

FIG. 7 is a perspective view of the present infant weight scale assembly design; and,

FIG. 8 is an enlarged view of the display of the present infant weight scale assembly design.

The broken line showing of structural features is included for the purpose of illustrating non-claimed subject matter and forms no part of the claimed design.

1 Claim, 5 Drawing Sheets



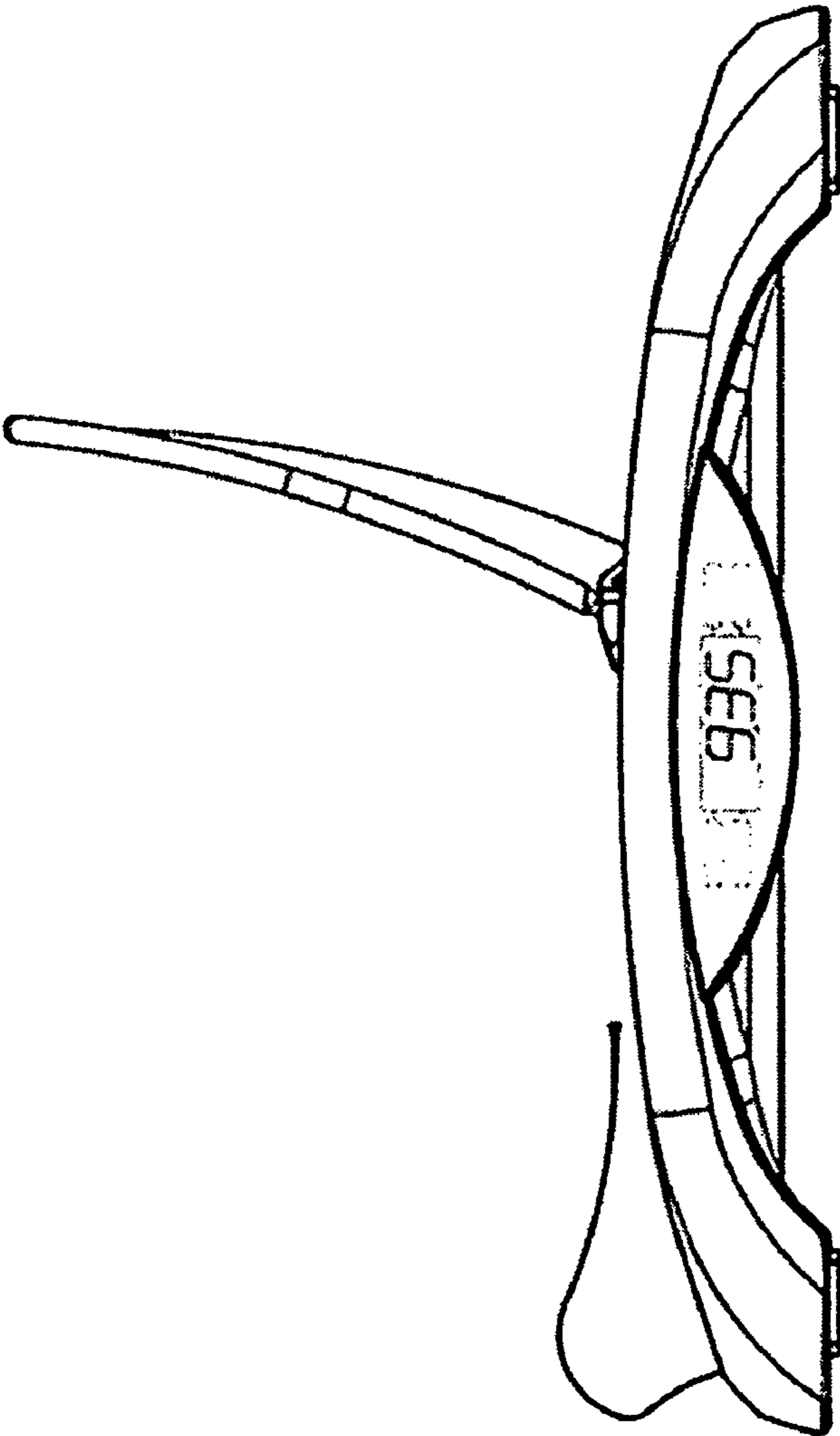


Fig.1

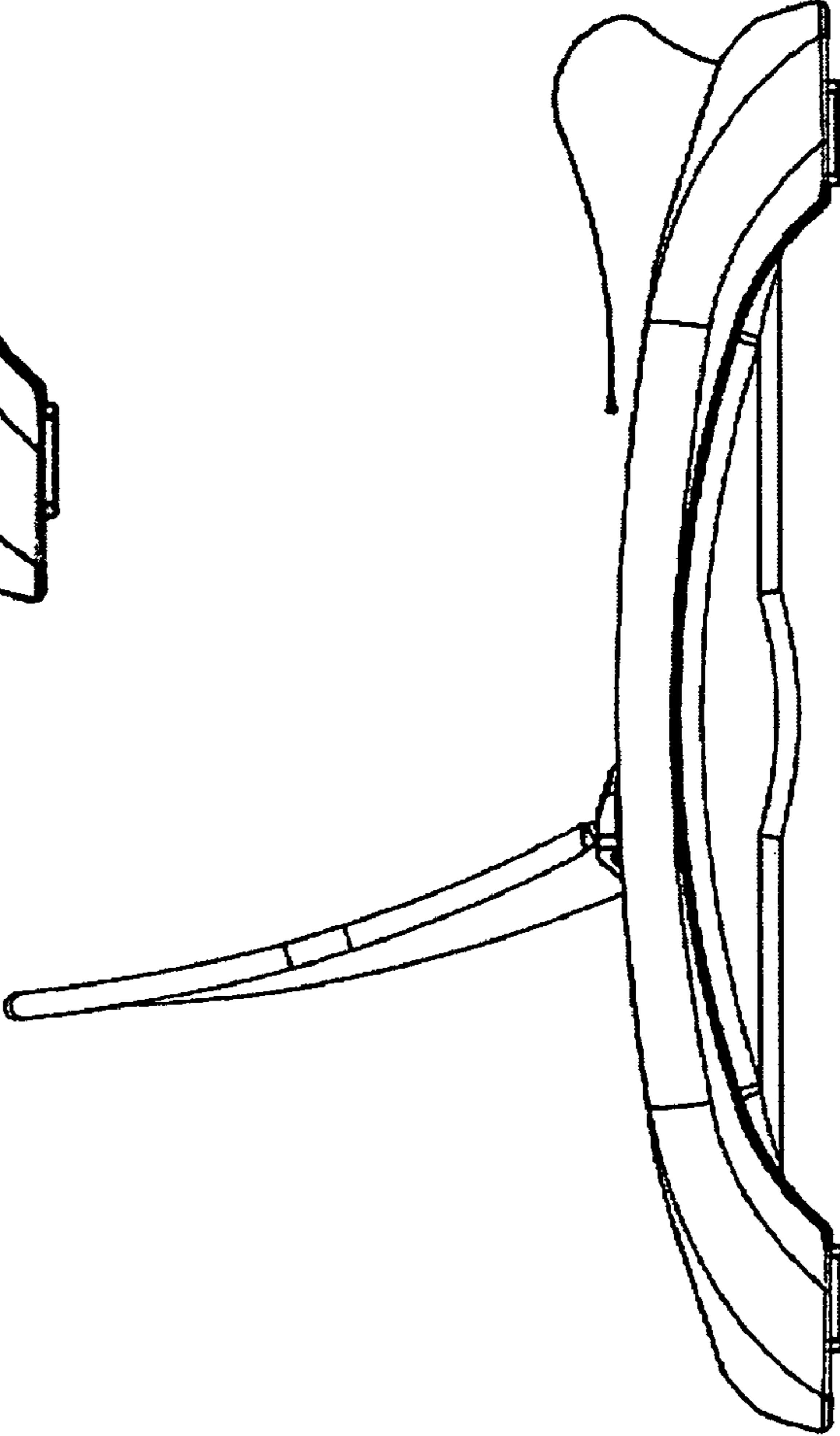


Fig.2

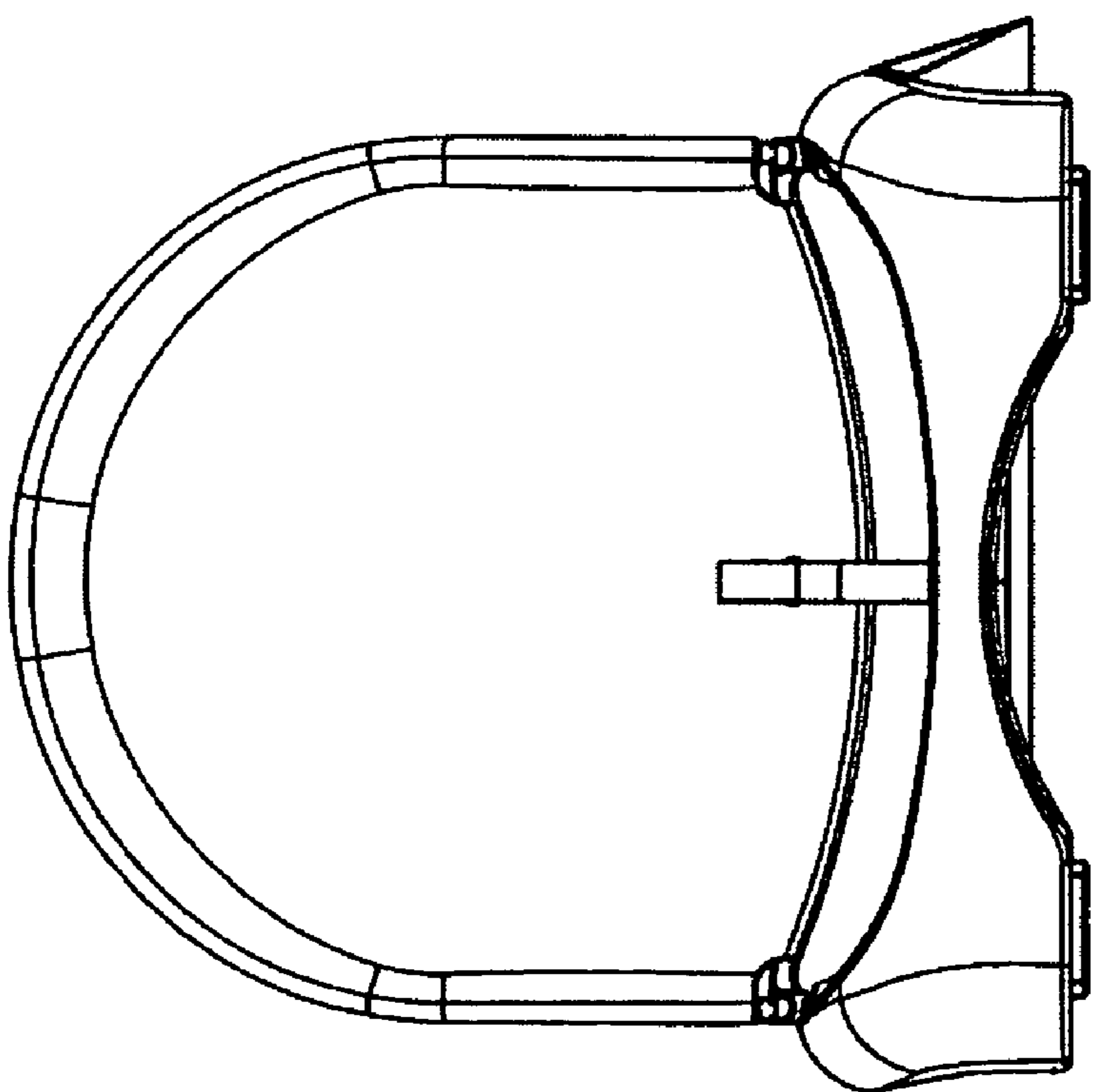


Fig. 3

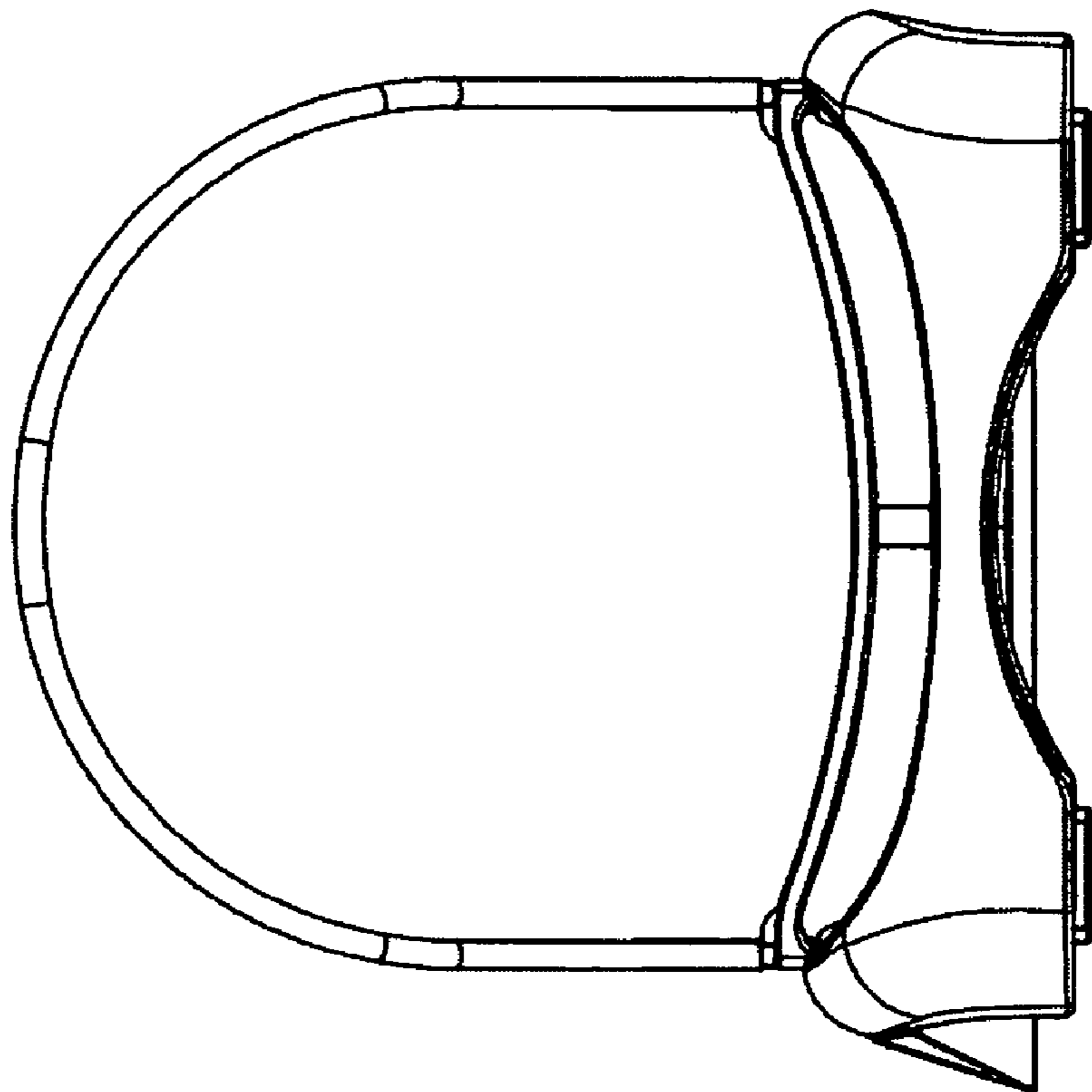


Fig. 4

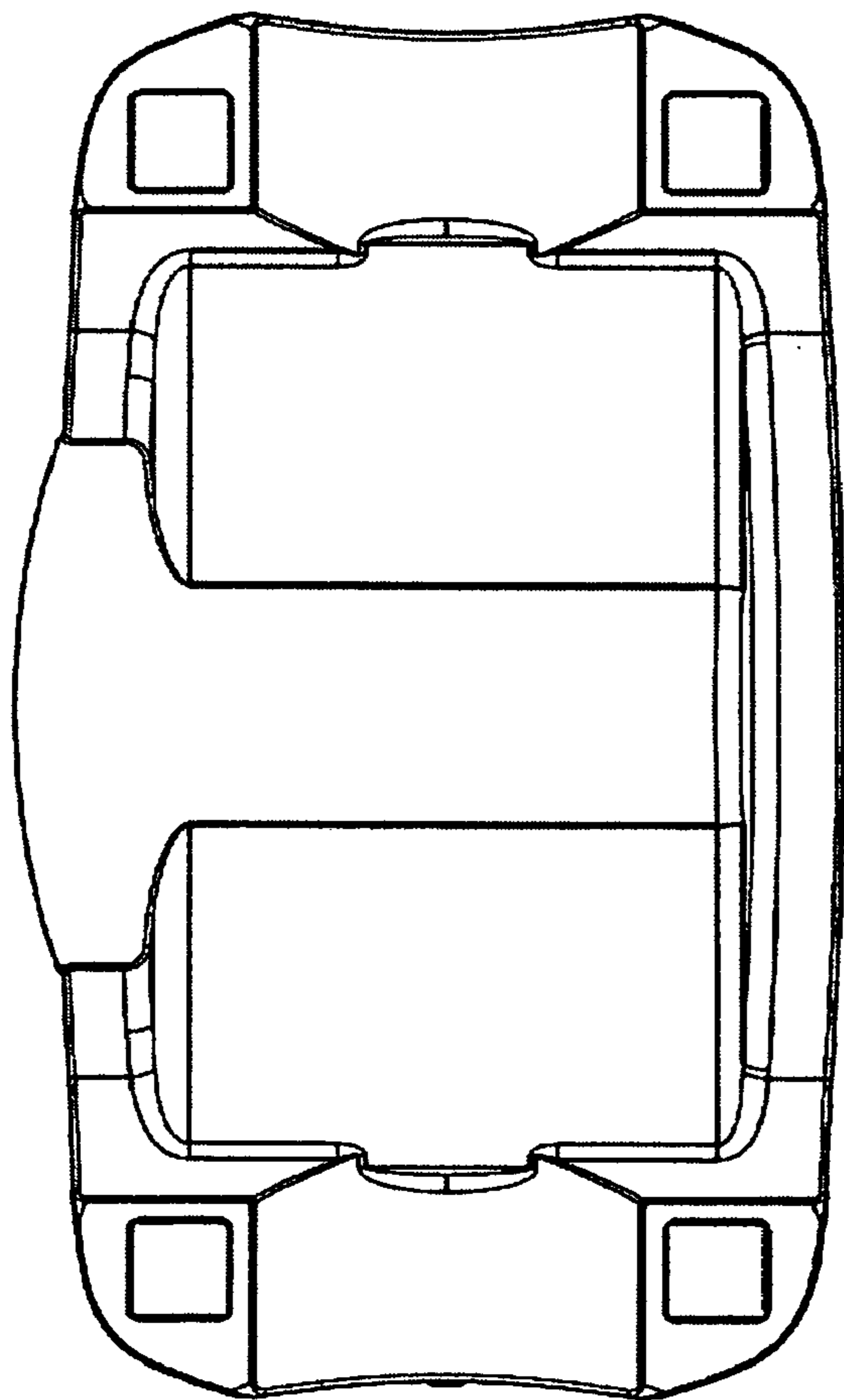


Fig. 5

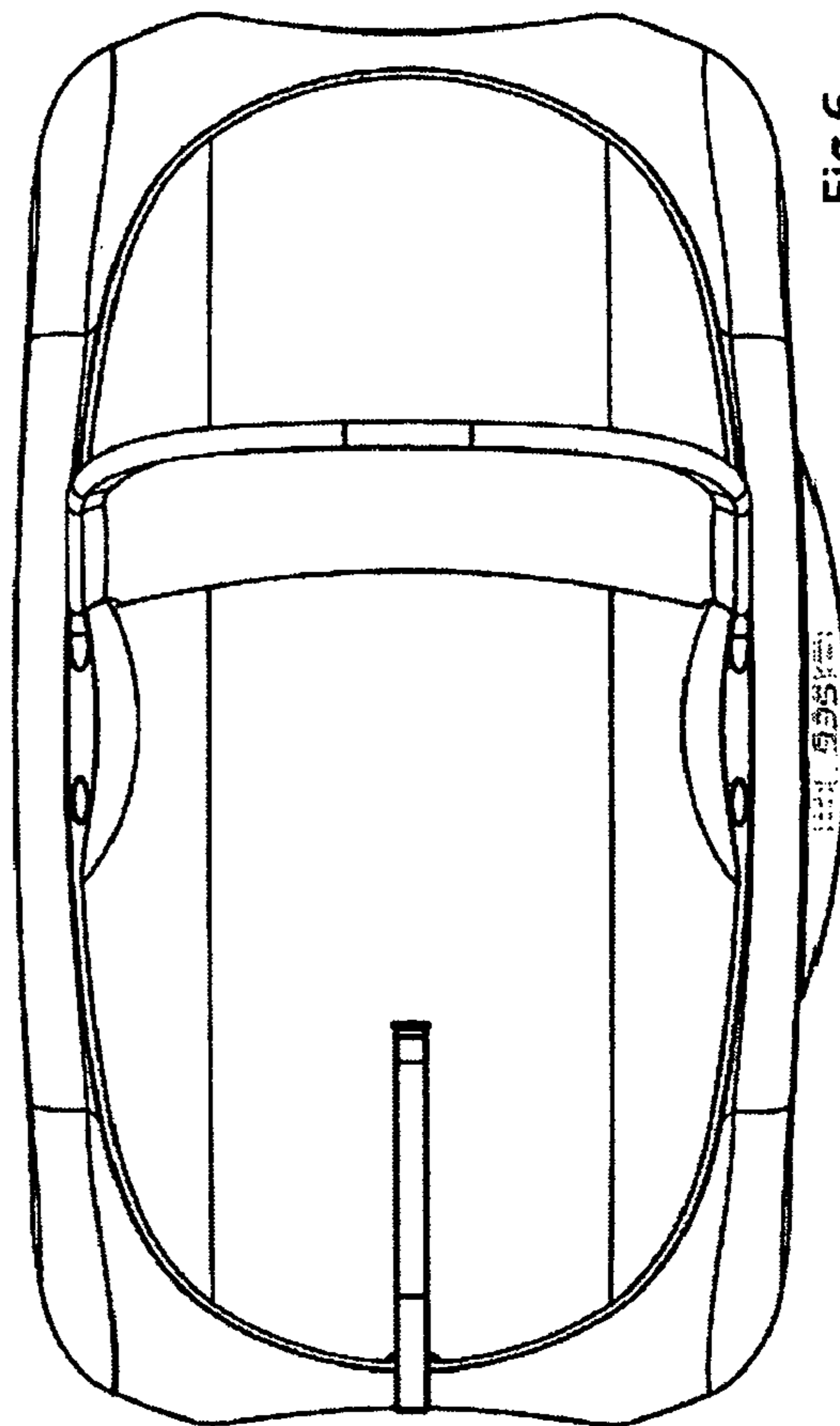


Fig. 6

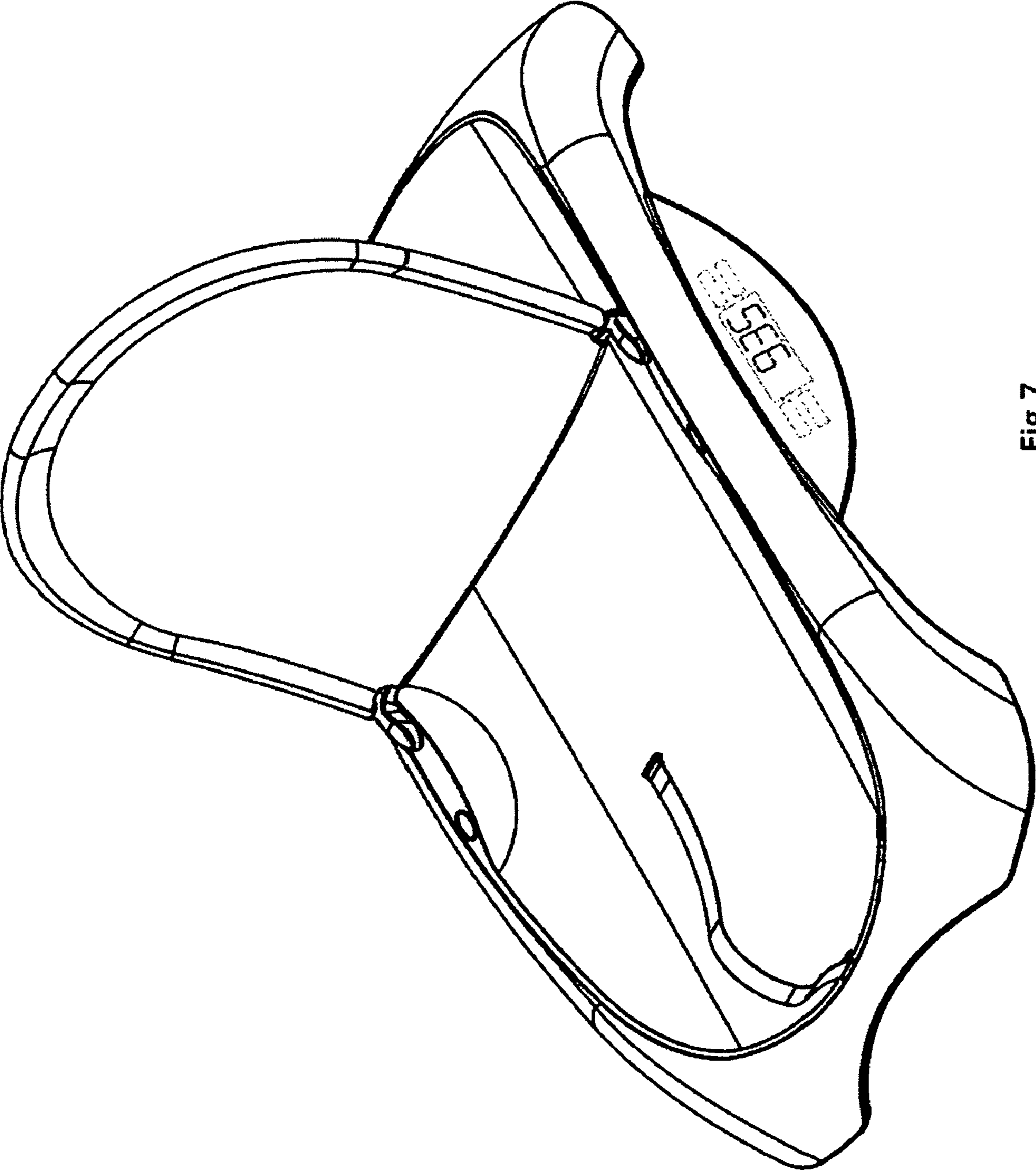


Fig. 7

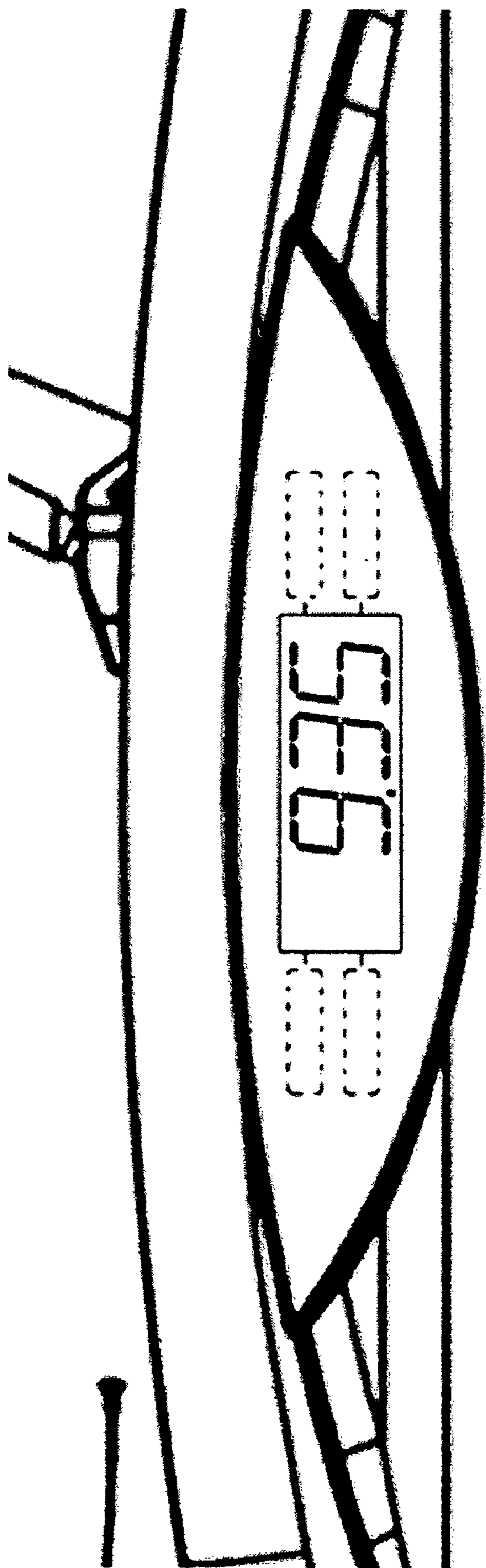


Fig.8