



US00D614517S

(12) **United States Design Patent**
Janky et al.

(10) **Patent No.:** **US D614,517 S**
(45) **Date of Patent:** **** Apr. 27, 2010**

(54) **HOLSTER FOR TEST INSTRUMENT**

(75) Inventors: **Sena E. R. Janky**, Sammamish, WA
(US); **Derek Silverio**, Seattle, WA (US)

(73) Assignee: **Fluke Corporation**, Everett, WA (US)

(**) Term: **14 Years**

(21) Appl. No.: **29/342,170**

(22) Filed: **Aug. 19, 2009**

(51) **LOC (9) Cl.** **10-04**

(52) **U.S. Cl.** **D10/80**

(58) **Field of Classification Search** D10/70,
D10/80; D3/200, 201, 315; 224/227, 242,
224/252, 253, 904; 248/455, 688, 126, 676
See application file for complete search history.

(56) **References Cited**

U.S. PATENT DOCUMENTS

D312,534 S *	12/1990	Nelson et al.	D10/80
D365,927 S *	1/1996	Cho	D10/80
D397,246 S *	8/1998	Hoofnagle et al.	D3/201
5,996,956 A *	12/1999	Shawver	248/688
6,003,831 A *	12/1999	Coleman	248/688

D575,056 S *	8/2008	Tan	D3/201
D581,151 S *	11/2008	Aipa	D3/201
D597,089 S *	7/2009	Khan et al.	D3/201
D597,301 S *	8/2009	Richardson et al.	D3/201

* cited by examiner

Primary Examiner—Antoine D Davis

(74) *Attorney, Agent, or Firm*—patenttm.us

(57) **CLAIM**

We claim the ornamental design for a holster for test instrument, as shown and described.

DESCRIPTION

FIG. 1 is a perspective view of the design for a holster for test instrument;

FIG. 2 is a front view of the design of FIG. 1;

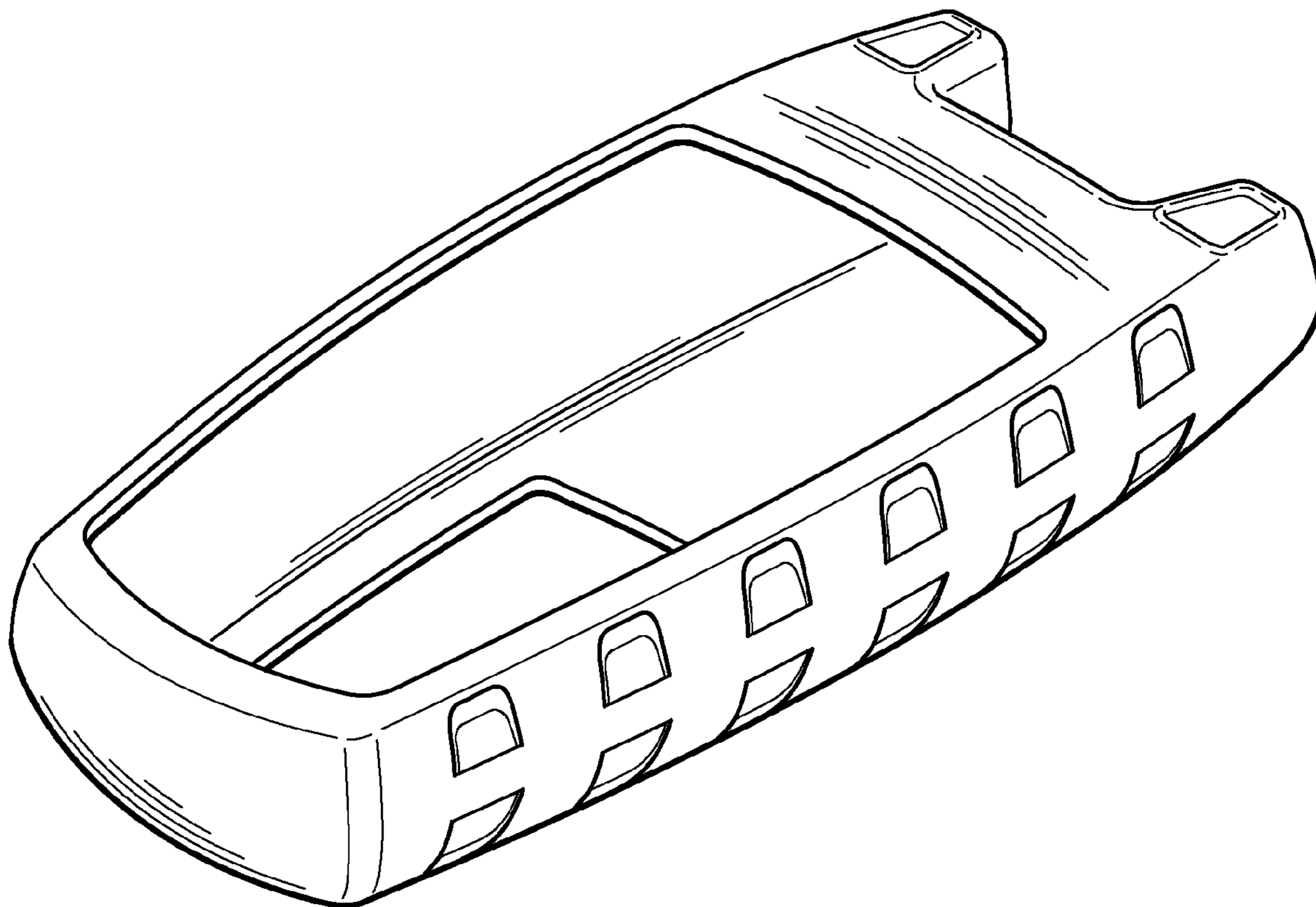
FIG. 3 is a left side view of the design of FIG. 1, the right side view being a mirror image thereof;

FIG. 4 is a top end view of the design of FIG. 1;

FIG. 5 is a bottom end view of the design of FIG. 1; and,

FIG. 6 is a rear view of the design of FIG. 1.

1 Claim, 4 Drawing Sheets



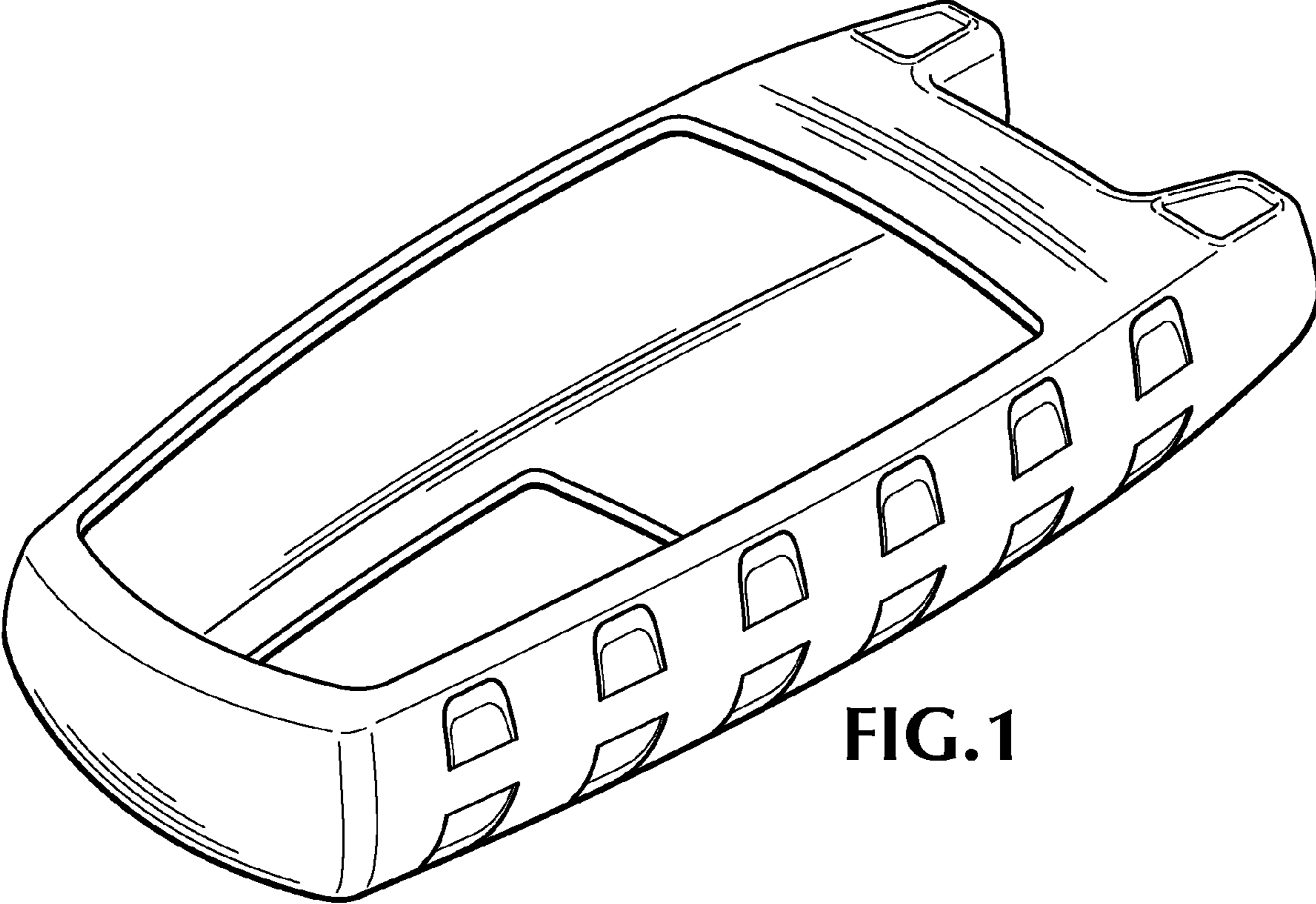


FIG.1

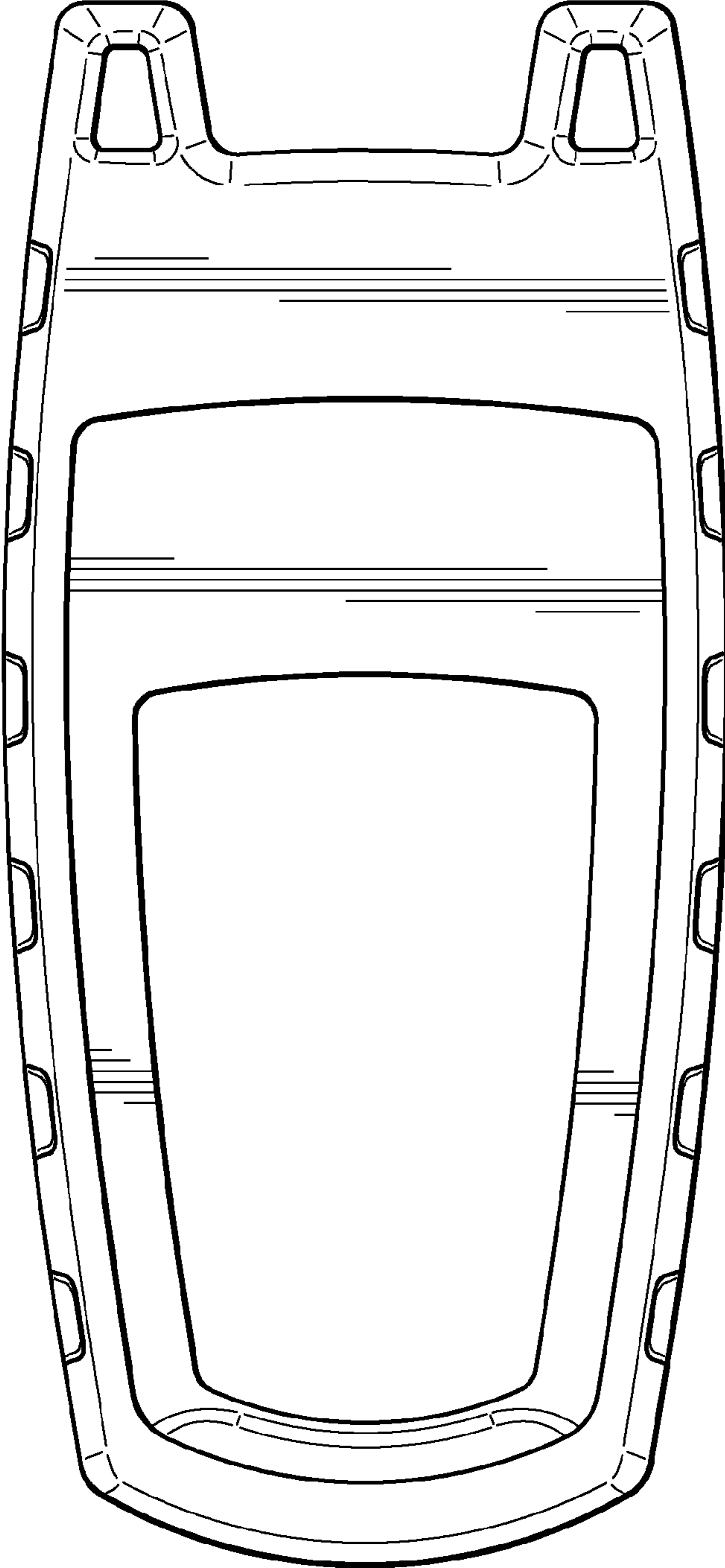


FIG. 2

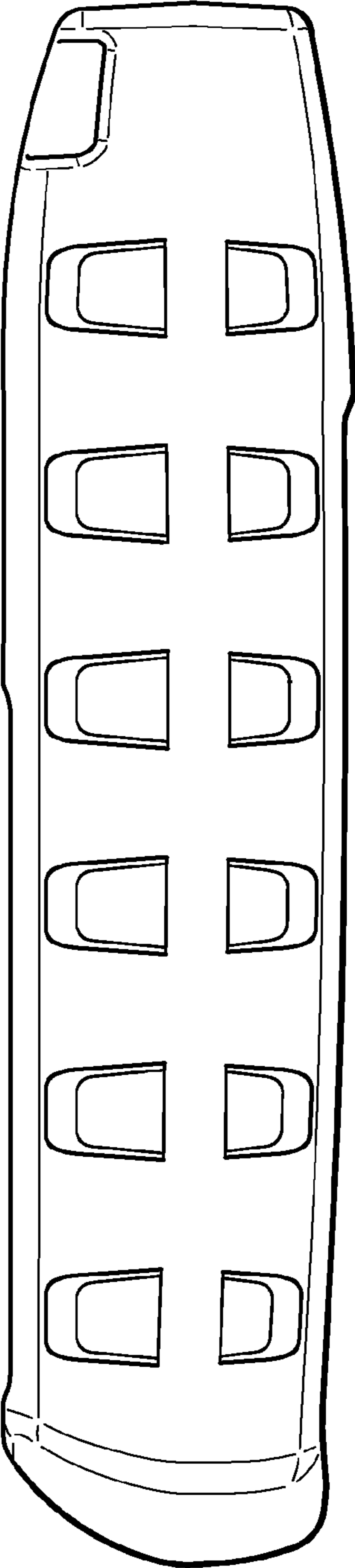


FIG. 3

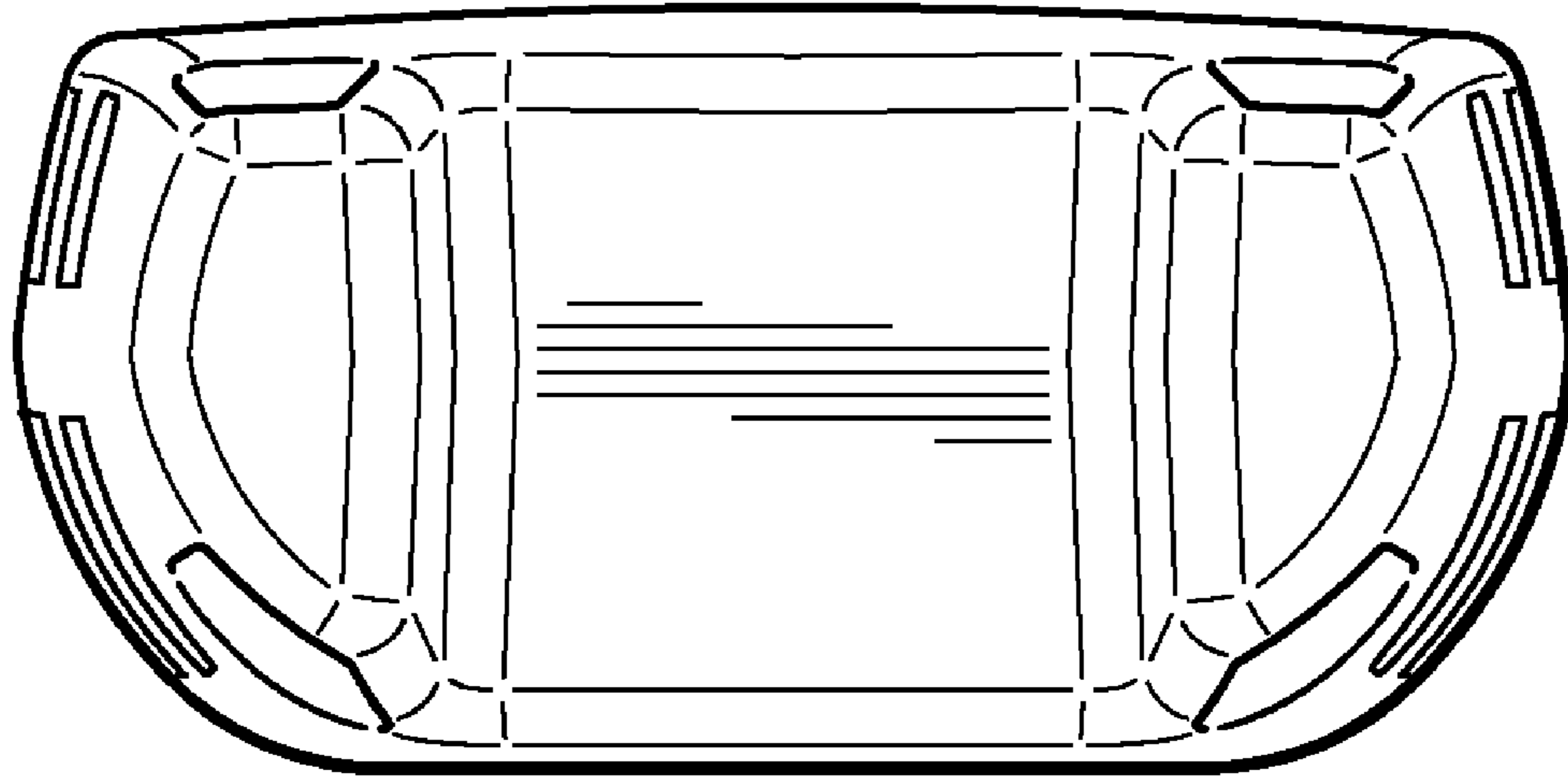


FIG. 4

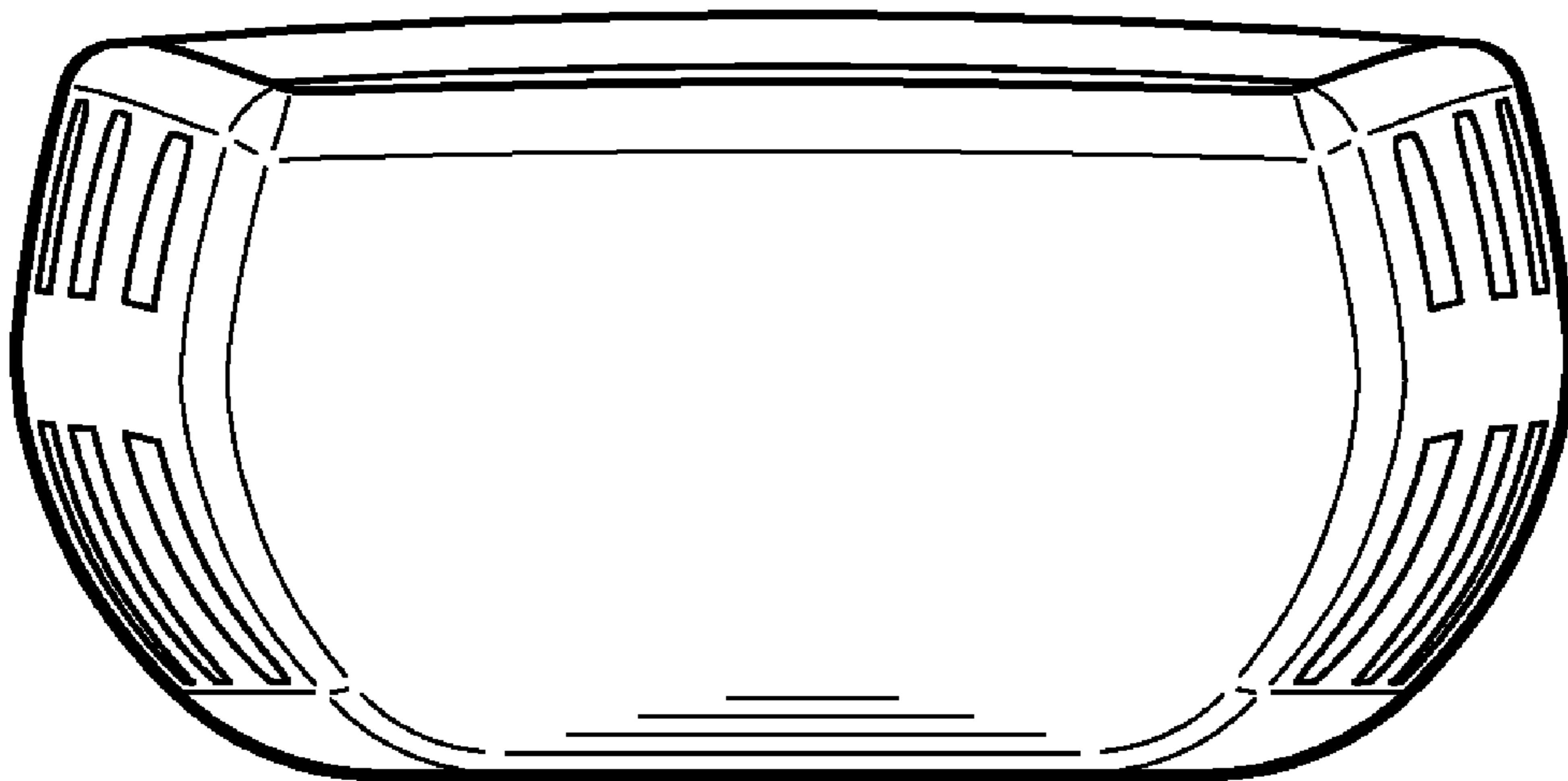


FIG. 5

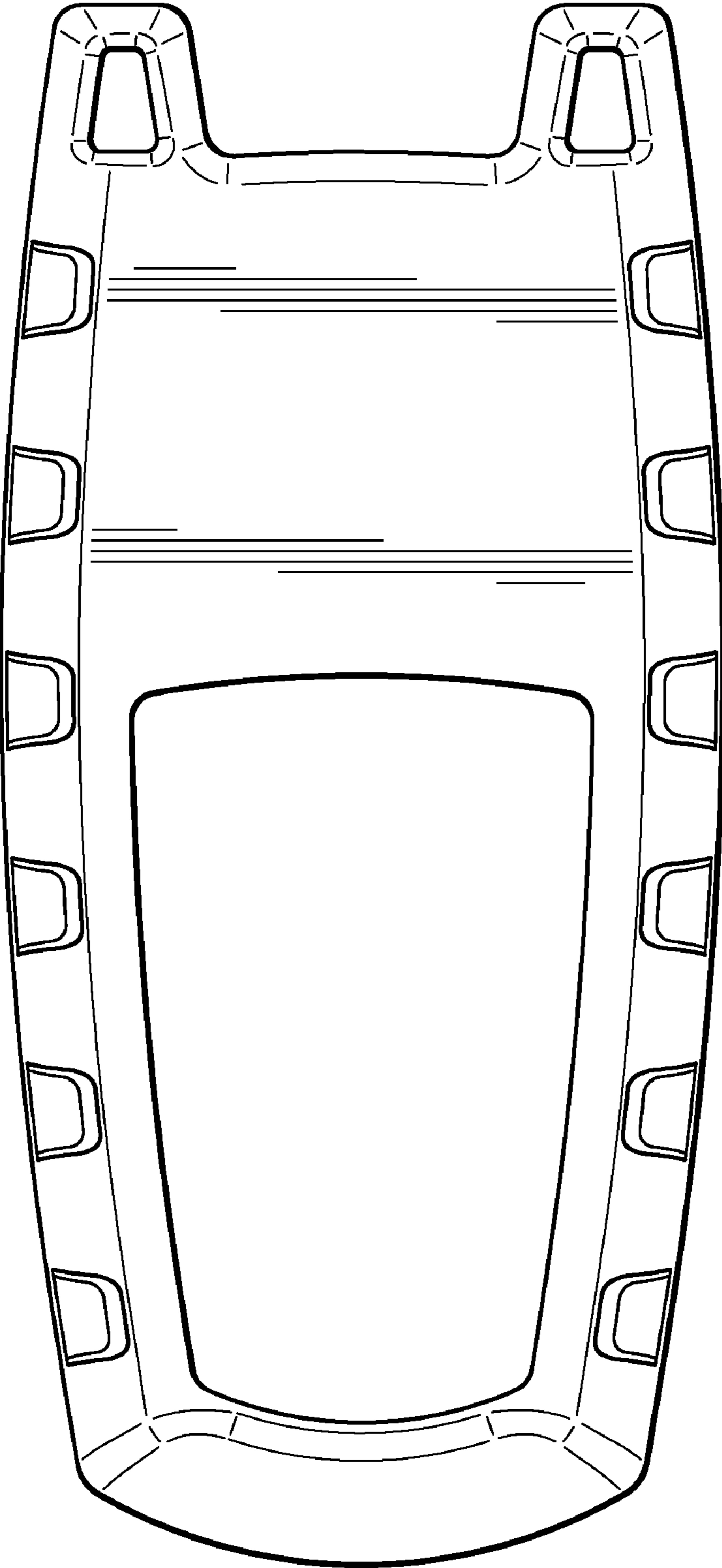


FIG.6