



US00D614516S

(12) **United States Design Patent**
Capra

(10) **Patent No.:** **US D614,516 S**
(45) **Date of Patent:** **** Apr. 27, 2010**

(54) **MEASURING TAPE DEVICE**

(76) **Inventor:** **Ines Capra**, 25 Adair Road, East York,
ON (CA) M4B 1V4

(**) **Term:** **14 Years**

(21) **Appl. No.:** **29/342,173**

(22) **Filed:** **Aug. 19, 2009**

(51) **LOC (9) Cl.** **10-04**

(52) **U.S. Cl.** **D10/72**

(58) **Field of Classification Search** D10/72;
33/755-770, DIG. 1

See application file for complete search history.

(56) **References Cited**

U.S. PATENT DOCUMENTS

2,649,787	A *	8/1953	Kobayashi	33/668
5,134,784	A	8/1992	Atienza		
D360,838	S *	8/1995	Lin	D10/72
5,440,820	A	8/1995	Hwang		
D393,221	S	4/1998	McConahay		
D432,034	S	10/2000	Heimerle		
D465,740	S *	11/2002	Odachowski	D10/72
D466,035	S *	11/2002	Odachowski	D10/72
D504,628	S *	5/2005	Weeks et al.	D10/72
7,174,656	B1	2/2007	Smith		

7,185,445	B2	3/2007	Rhead		
D562,163	S	2/2008	Covey		
7,555,845	B2 *	7/2009	Critelli et al.	33/767
2004/0049937	A1	3/2004	Silva		

* cited by examiner

Primary Examiner—Antoine D Davis

(57) **CLAIM**

The ornamental design for measuring tape device, as shown and claimed.

DESCRIPTION

FIG. 1 is a perspective view of measuring tape device showing my new design;

FIG. 2 is another perspective view of measuring tape device thereof;

FIG. 3 is a side view thereof;

FIG. 4 is an opposite side view thereof;

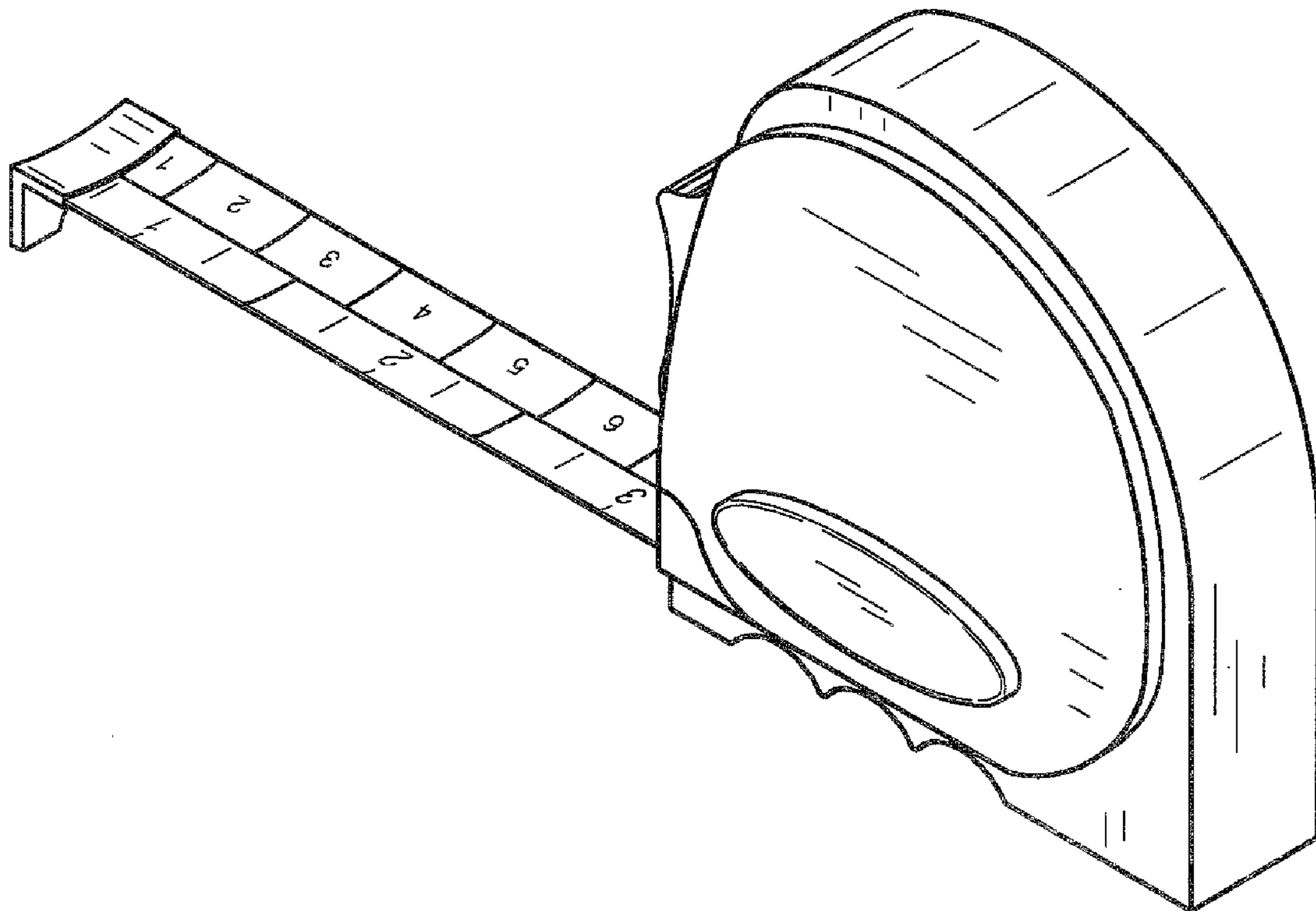
FIG. 5 is a front view thereof;

FIG. 6 is a back view thereof;

FIG. 7 is a top view thereof; and,

FIG. 8 is a bottom view thereof.

1 Claim, 3 Drawing Sheets



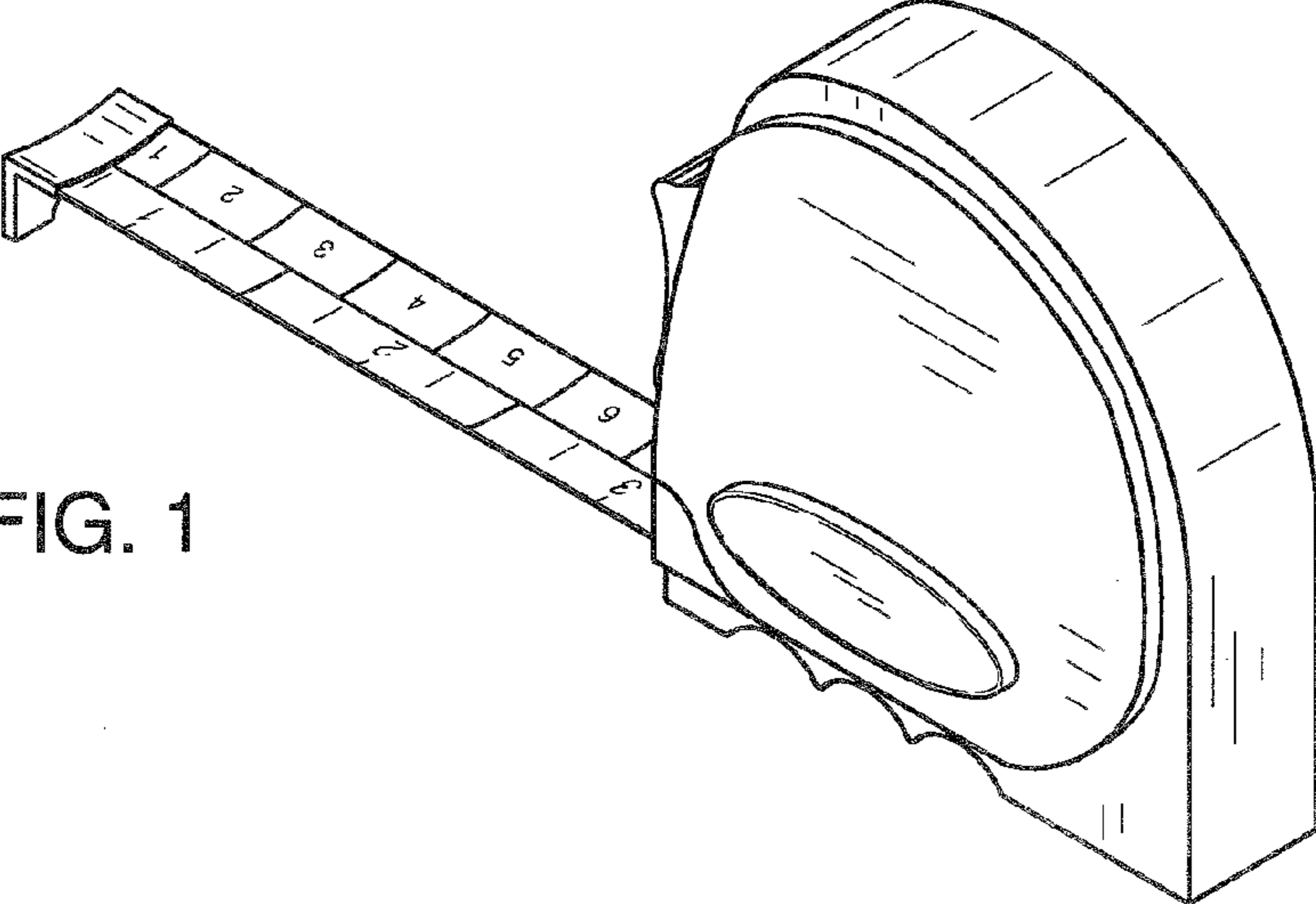


FIG. 1

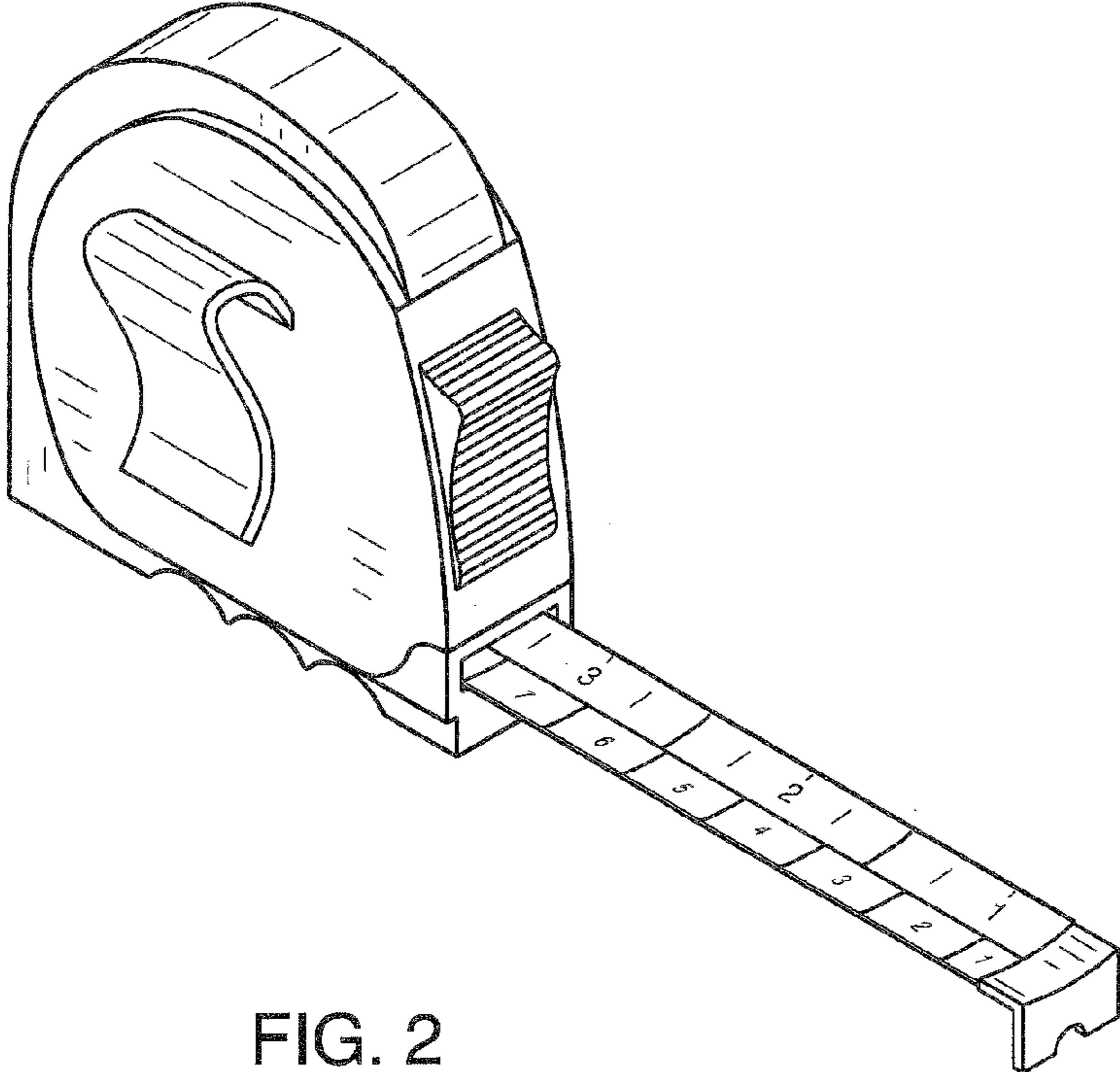


FIG. 2

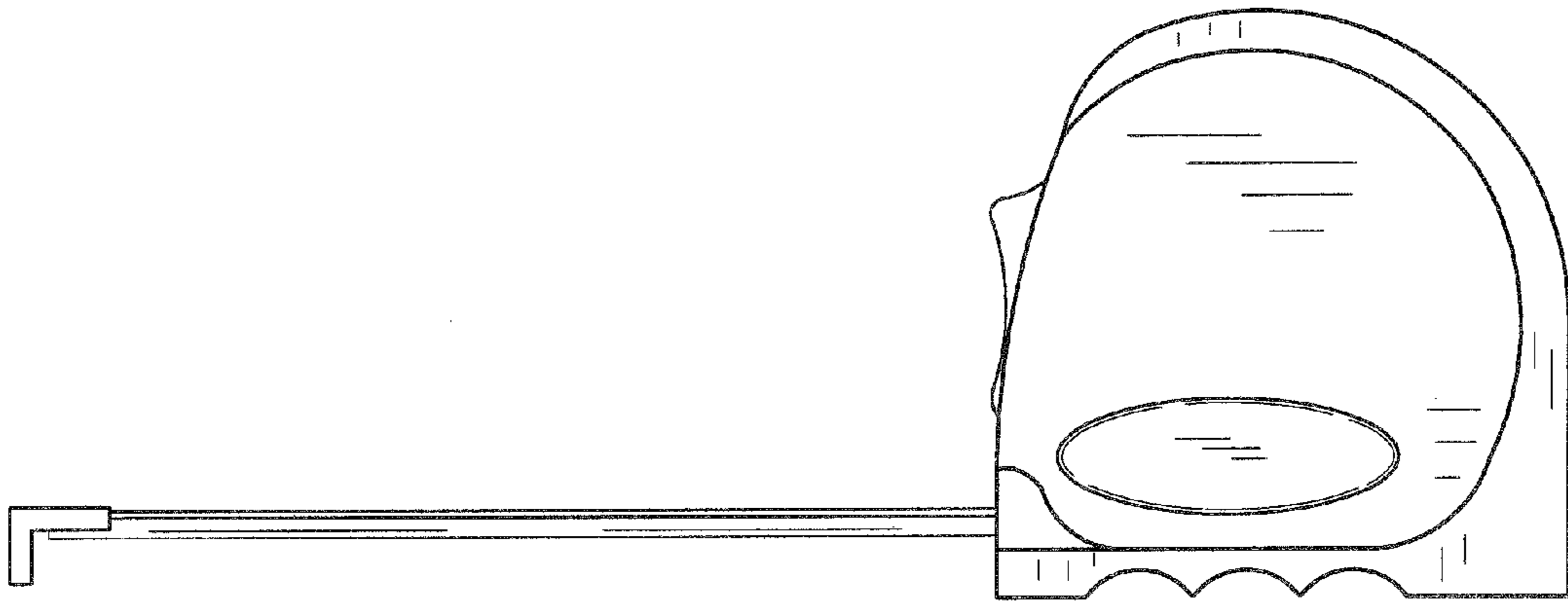


FIG. 3

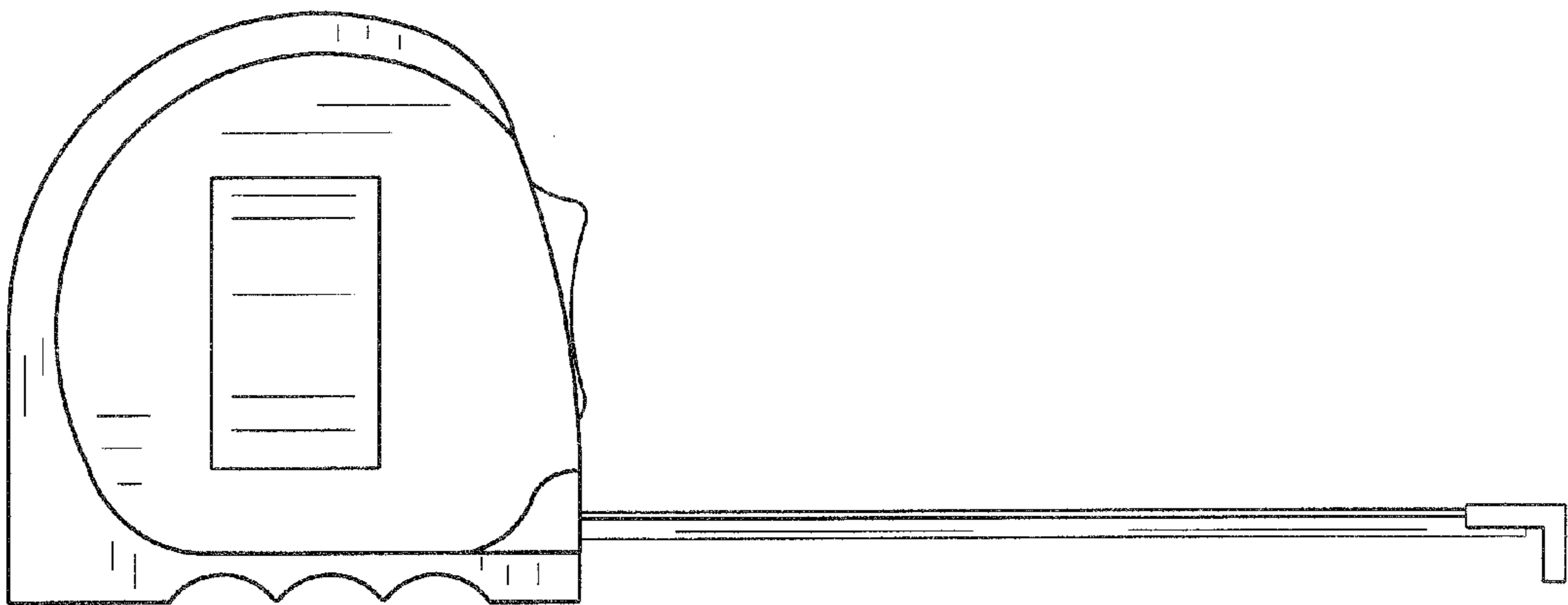


FIG. 4

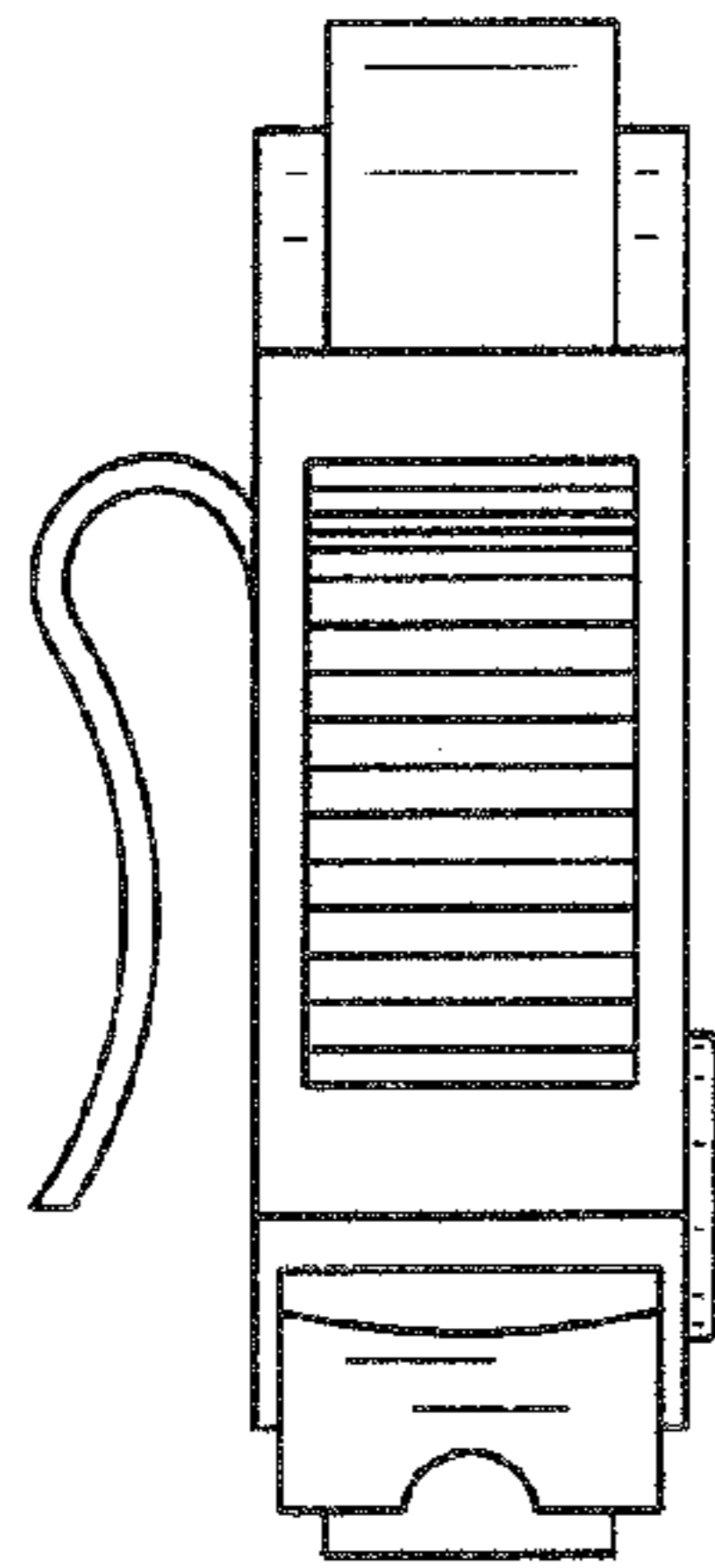


FIG. 5

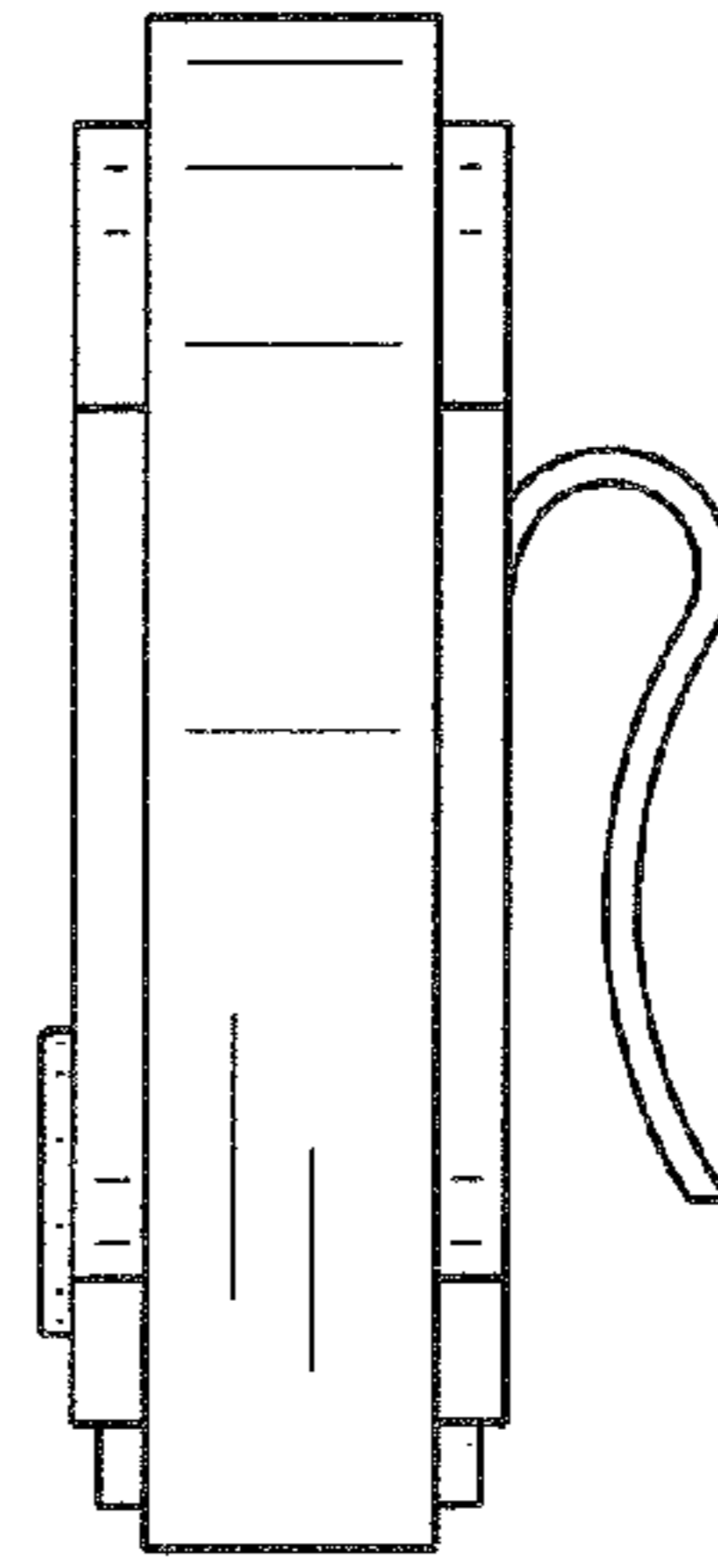


FIG. 6

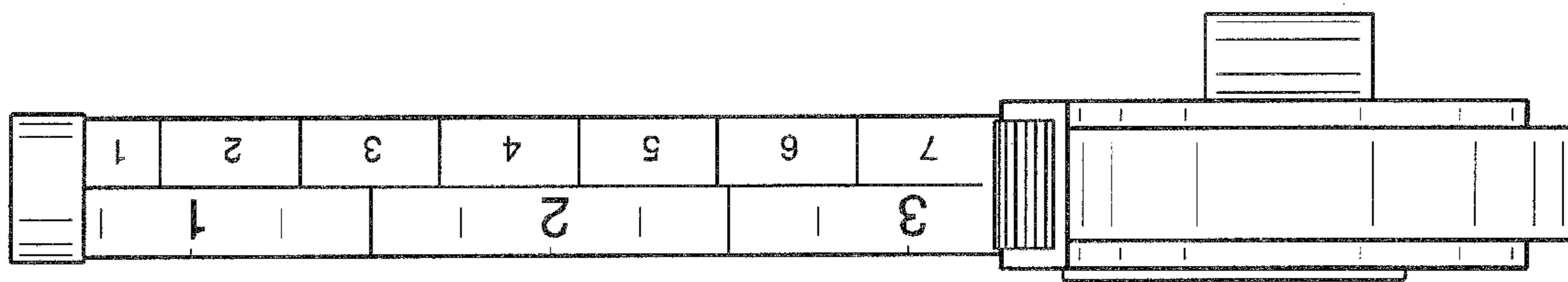


FIG. 7

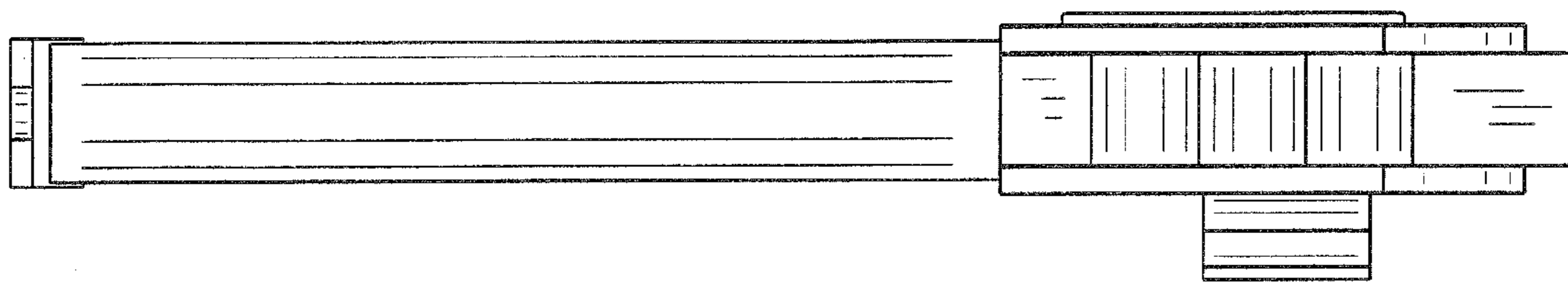


FIG. 8