



US00D614514S

(12) **United States Design Patent**
Laucella

(10) **Patent No.:** **US D614,514 S**
(45) **Date of Patent:** **** Apr. 27, 2010**

(54) **WATCH**

(75) **Inventor:** **Vincent Laucella, Le Brassus (CH)**

(73) **Assignee:** **Montres Breguet SA, L'Abbaye (CH)**

(**) **Term:** **14 Years**

(21) **Appl. No.:** **29/342,520**

(22) **Filed:** **Aug. 26, 2009**

(30) **Foreign Application Priority Data**

Feb. 26, 2009 (WO) DM/071 457

(51) **LOC (9) Cl.** **10-02**

(52) **U.S. Cl.** **D10/39**

(58) **Field of Classification Search** D10/30-39,
D10/122-126; 368/276, 281, 282, 285, 80,
368/223, 228, 232, 28
See application file for complete search history.

(56) **References Cited**

U.S. PATENT DOCUMENTS

3,475,902	A	*	11/1969	Wessel	368/10
3,503,203	A	*	3/1970	Gruner et al.	368/21
D308,945	S	*	7/1990	Bonnet	D10/32
D349,653	S	*	8/1994	Giardiello	D10/30
D368,664	S	*	4/1996	Schick et al.	D10/39
D371,081	S	*	6/1996	Mijatovic	D10/39
D447,705	S	*	9/2001	Scheufele	D10/39
D502,879	S	*	3/2005	Bernheim	D10/32
D525,148	S	*	7/2006	Gruosi	D10/30
D552,490	S	*	10/2007	Laucella	D10/31

D554,005	S	*	10/2007	Laucella	D10/39
D554,535	S	*	11/2007	Journe	D10/31
D559,128	S	*	1/2008	Laucella	D10/39
D559,129	S	*	1/2008	Laucella	D10/39
D559,130	S	*	1/2008	Laucella	D10/39
D559,131	S	*	1/2008	Laucella	D10/39
D562,705	S	*	2/2008	Laucella	D10/37
D567,117	S	*	4/2008	Metrailler	D10/38
D578,413	S	*	10/2008	Laucella	D10/39
D593,880	S	*	6/2009	Laucella	D10/39

* cited by examiner

Primary Examiner—Lucy Lieberman

(74) *Attorney, Agent, or Firm*—Collen IP; Donald J. Ranft

(57) **CLAIM**

The ornamental design for a watch, as shown and described.

DESCRIPTION

FIG. 1 is a front view of my new, original and ornamental design for a watch;

FIG. 2 is a rear view thereof;

FIG. 3 is a right side view thereof;

FIG. 4 is a left side view thereof;

FIG. 5 is a top view thereof;

FIG. 6 is a bottom view thereof; and,

FIG. 7 is a front perspective view thereof.

The broken lines in FIG. 2 are used to show portions of the watch that do not form part of the claimed design.

1 Claim, 4 Drawing Sheets

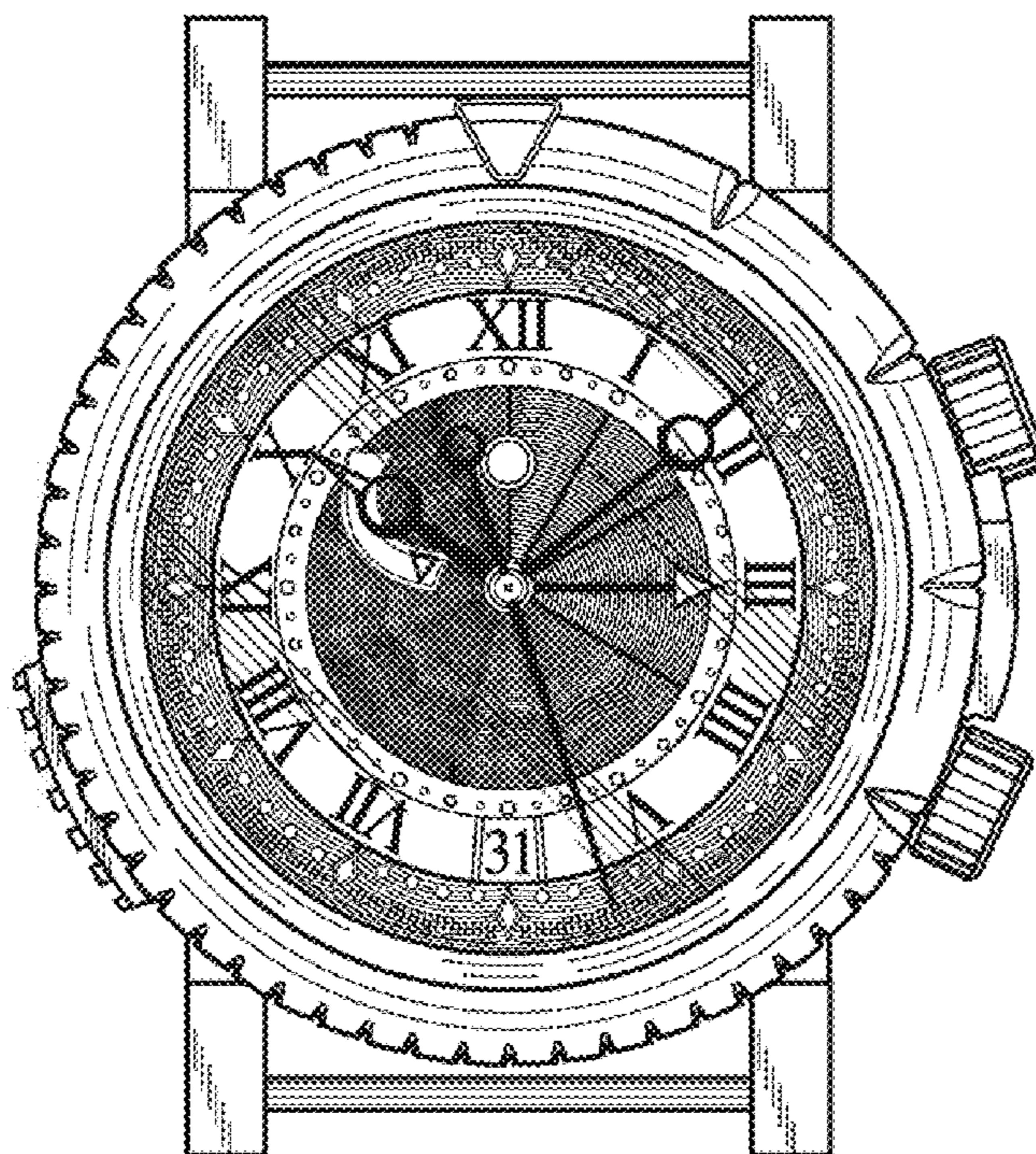


Fig. 2

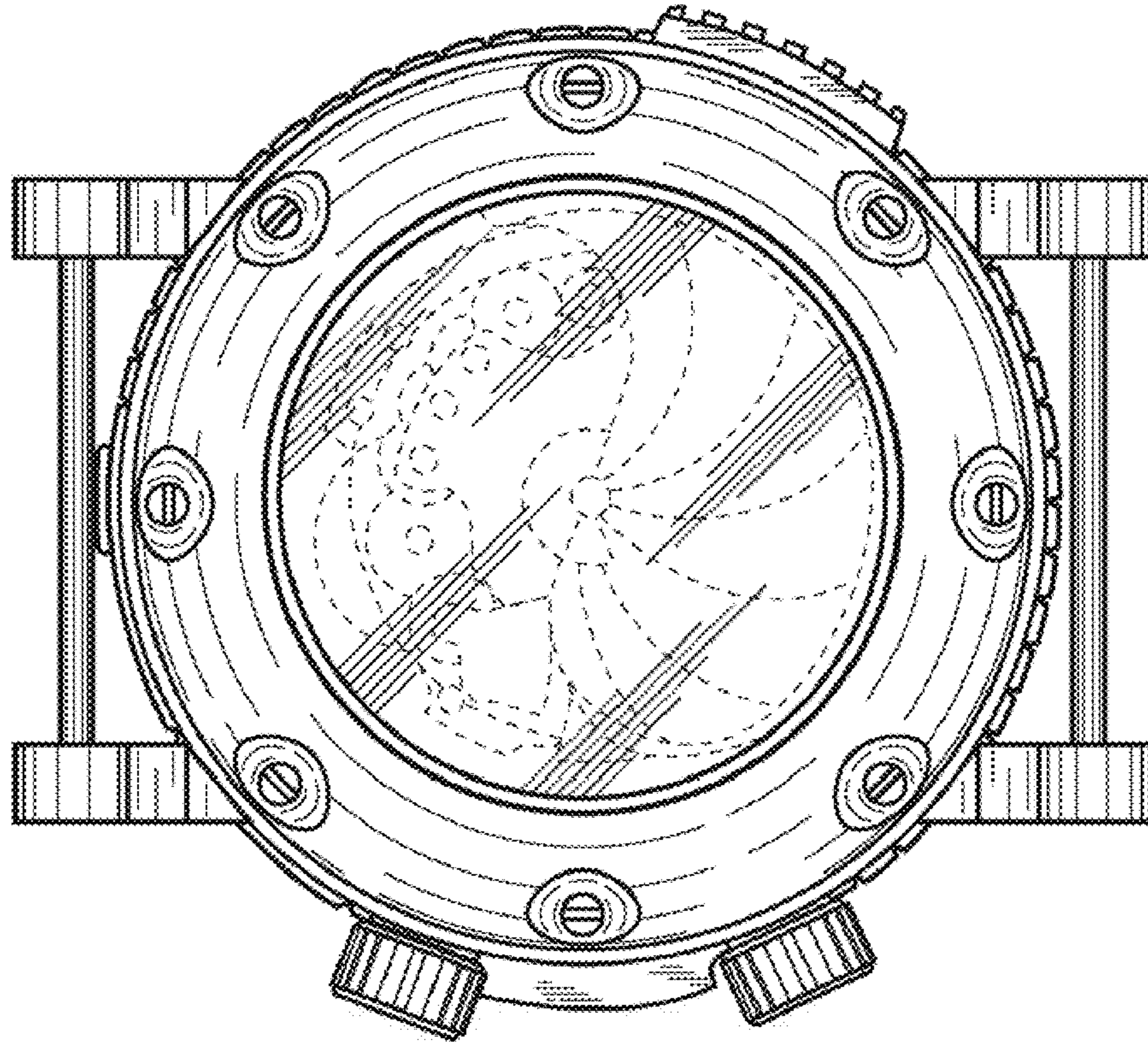


Fig. 1

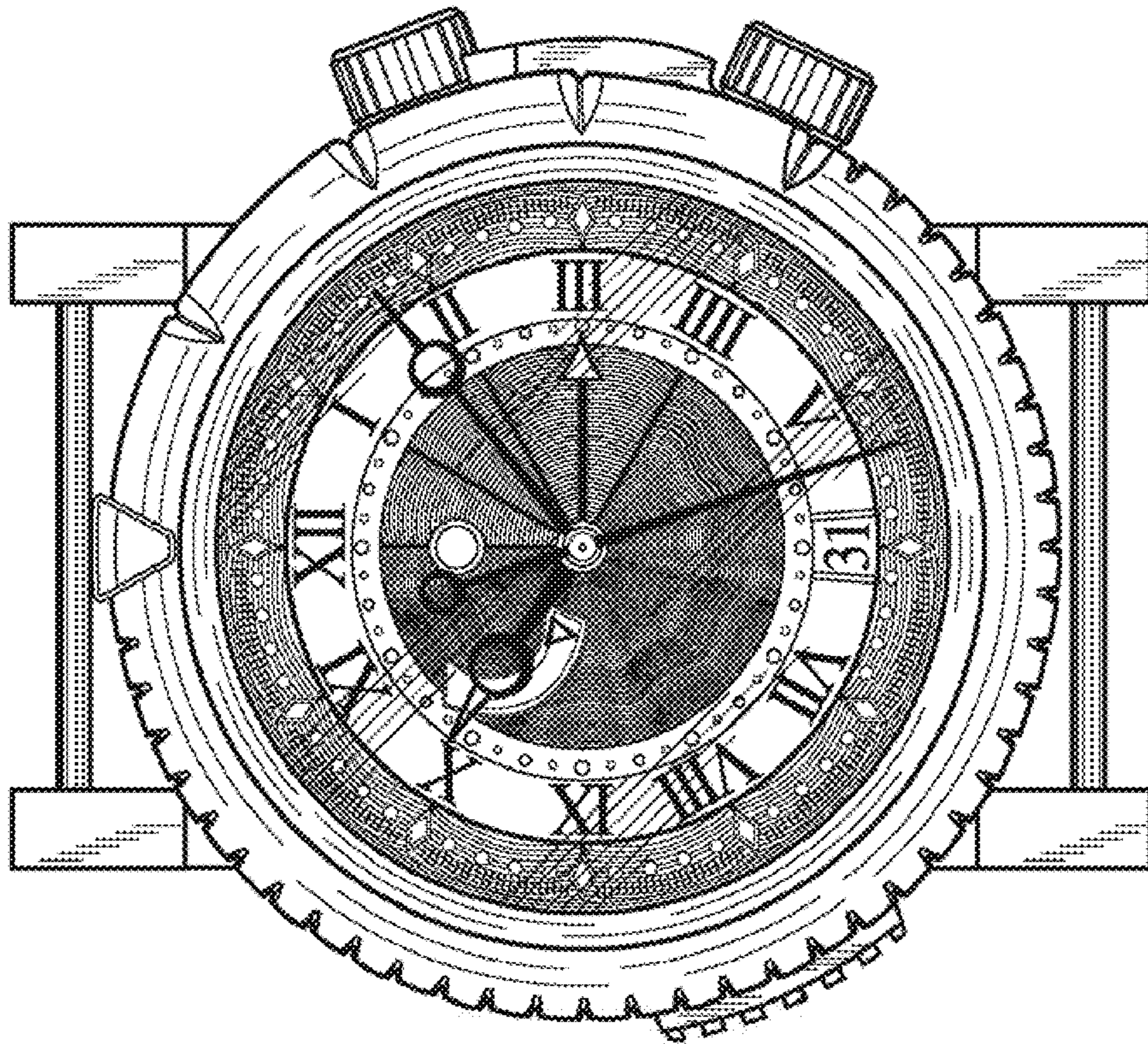


Fig. 3

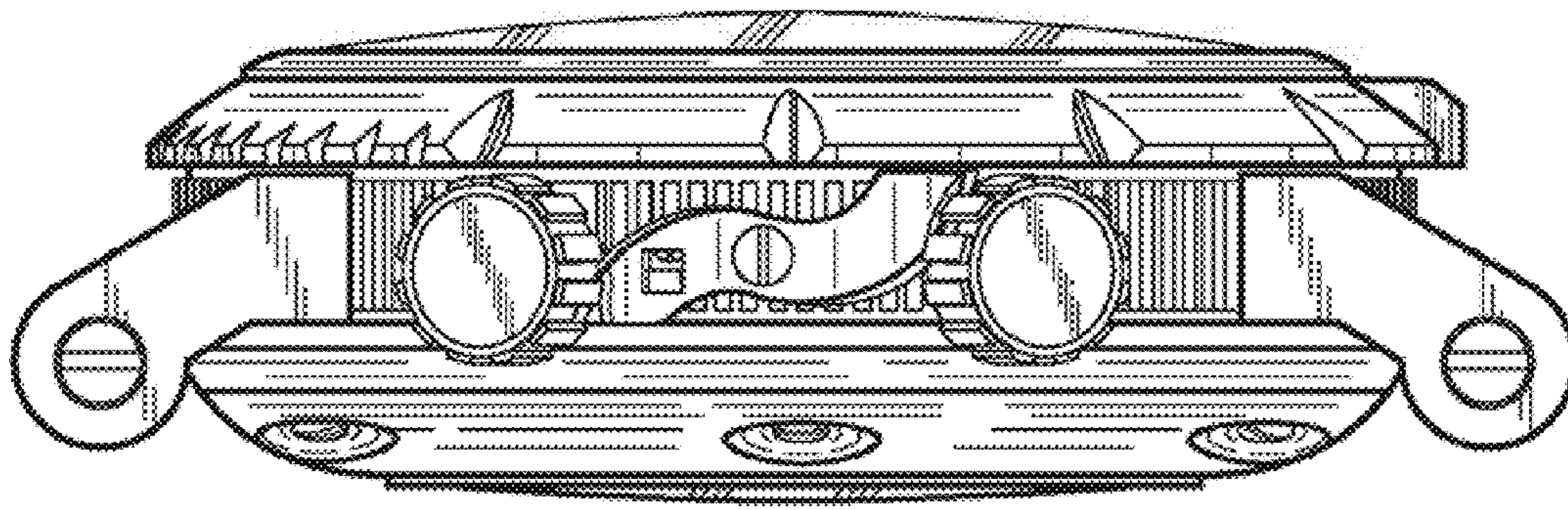


Fig. 4

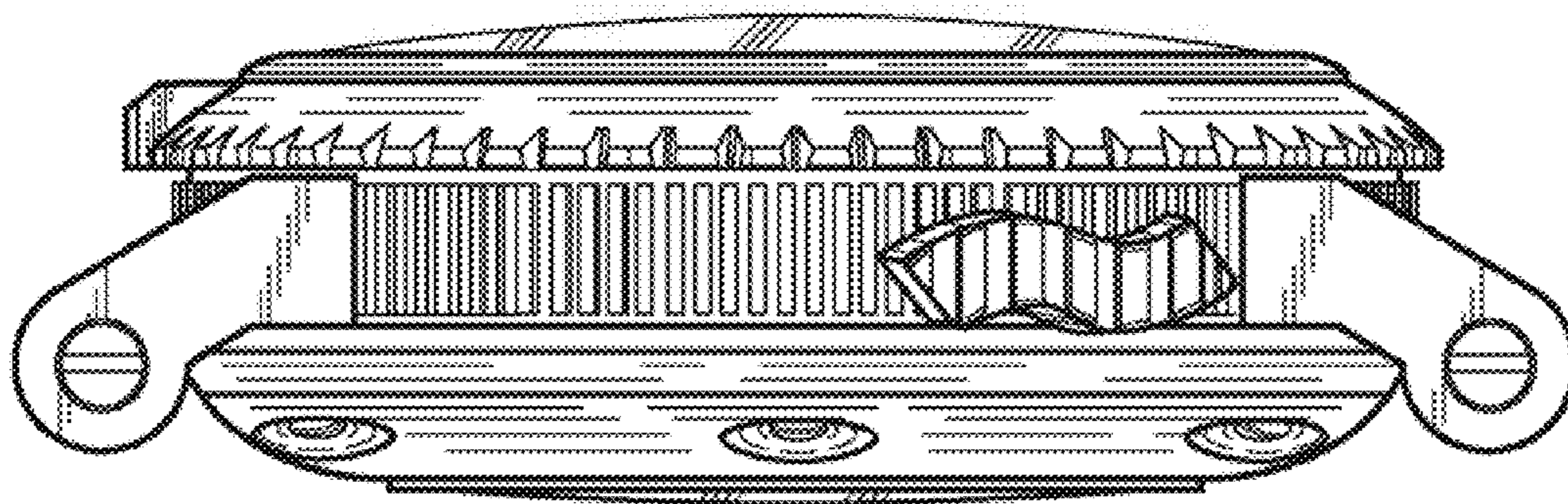


Fig. 5

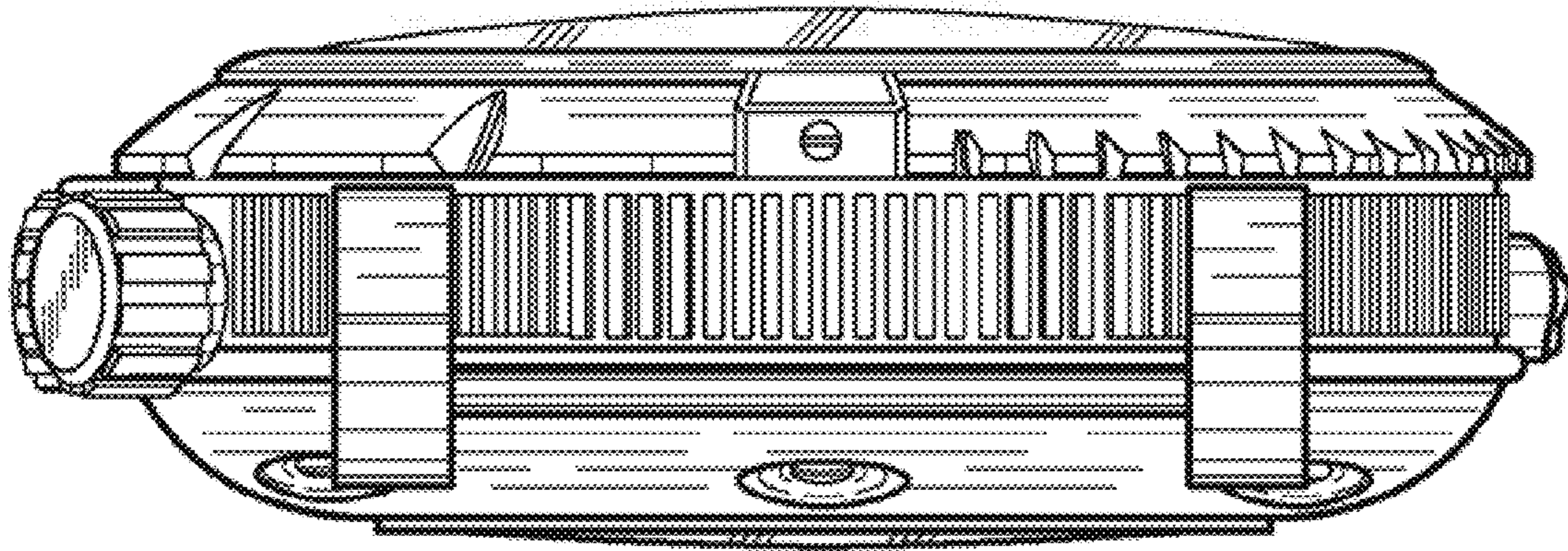


Fig. 6

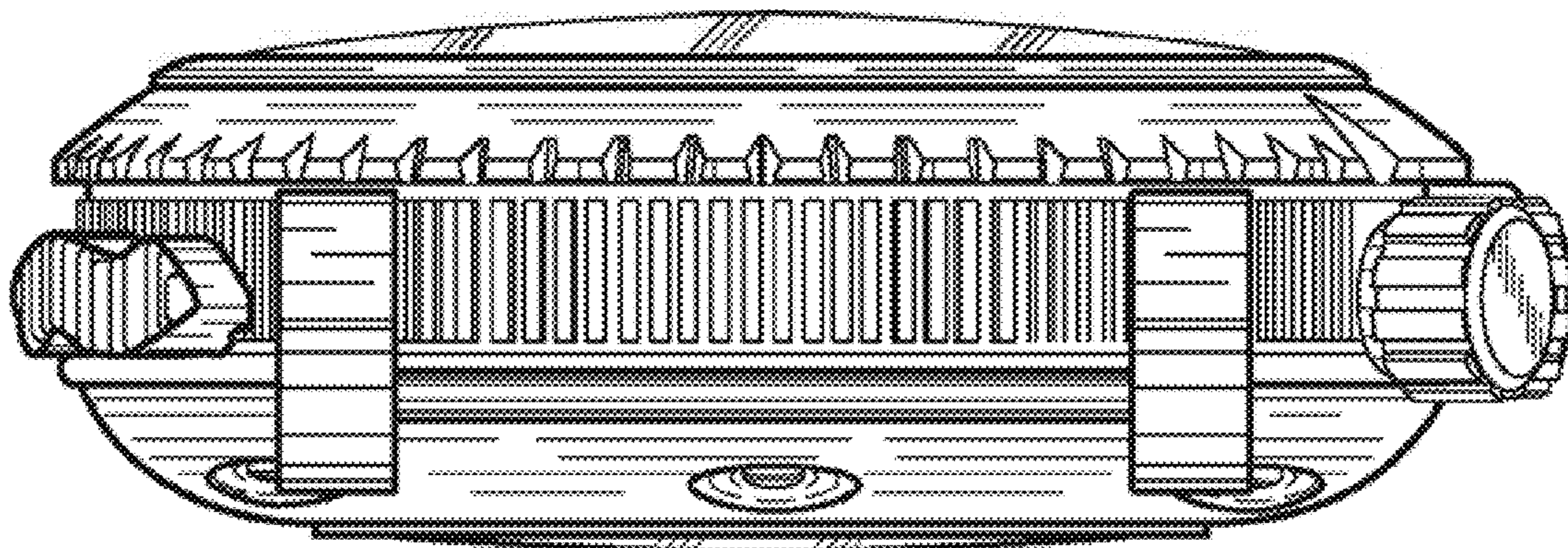


Fig. 7

