



US00D614512S

(12) **United States Design Patent**
Monachon

(10) **Patent No.:** **US D614,512 S**

(45) **Date of Patent:** **** Apr. 27, 2010**

(54) **WATCH**

(75) **Inventor:** **Jean-Claude Monachon, Les**
Vieux-Pres (CH)

(73) **Assignee:** **Omega SA (Omega AG) (Omega Ltd.),**
Biel/Bienne (CH)

(**) **Term:** **14 Years**

(21) **Appl. No.:** **29/342,866**

(22) **Filed:** **Sep. 2, 2009**

(30) **Foreign Application Priority Data**

Mar. 2, 2009 (WO) DM/071 416

(51) **LOC (9) Cl.** **10-02**

(52) **U.S. Cl.** **D10/32**

(58) **Field of Classification Search** D10/30-39,
D10/122-126; 368/276, 281, 282, 285, 80,
368/223, 228, 232; D11/3, 12
See application file for complete search history.

(56) **References Cited**

U.S. PATENT DOCUMENTS

- D249,244 S * 9/1978 Salter D10/32
- D250,634 S * 12/1978 Porsche D10/32
- D278,605 S * 4/1985 Didisheim D10/39
- 5,379,281 A * 1/1995 Koch 368/72
- D380,690 S * 7/1997 Riley D10/30
- D424,952 S * 5/2000 Porsche et al. D10/32
- D451,405 S * 12/2001 Yoshikawa et al. D10/30

- D502,412 S * 3/2005 Monachon D10/39
- 6,894,951 B1 * 5/2005 Brandt et al. 368/80
- D547,206 S * 7/2007 Dewitt D10/31
- D568,176 S * 5/2008 Monachon D10/32
- D579,351 S * 10/2008 Monachon D10/39
- D581,811 S * 12/2008 Messmer et al. D10/32
- D585,309 S * 1/2009 Monachon D10/39
- D591,180 S * 4/2009 Monachon D10/39

* cited by examiner

Primary Examiner—Lucy Lieberman

(74) *Attorney, Agent, or Firm*—Collen IP; Donald J. Ranft

(57) **CLAIM**

The ornamental design for a watch, as shown and described.

DESCRIPTION

FIG. 1 is a front view of my new, original and ornamental design for a watch;

FIG. 2 is a rear view thereof;

FIG. 3 is a right side view thereof;

FIG. 4 is a left side view thereof;

FIG. 5 is a bottom view thereof;

FIG. 6 is a top view thereof;

FIG. 7 is a front perspective view thereof; and,

FIG. 8 is a rear perspective view thereof.

The broken lines in FIGS. 2 and 8 are used to show portions of the watch that do not form part of the claimed design.

1 Claim, 4 Drawing Sheets

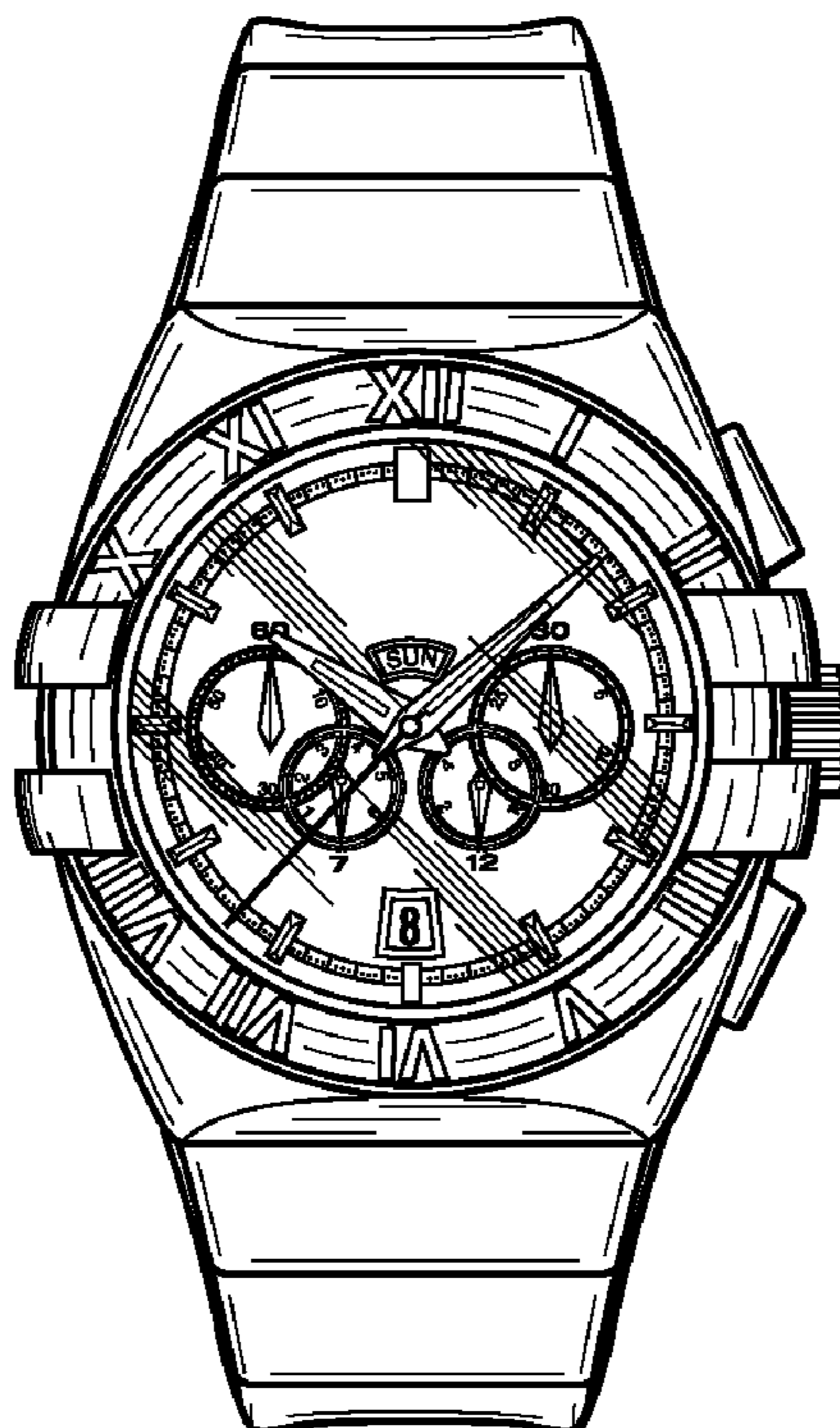


Fig. 1

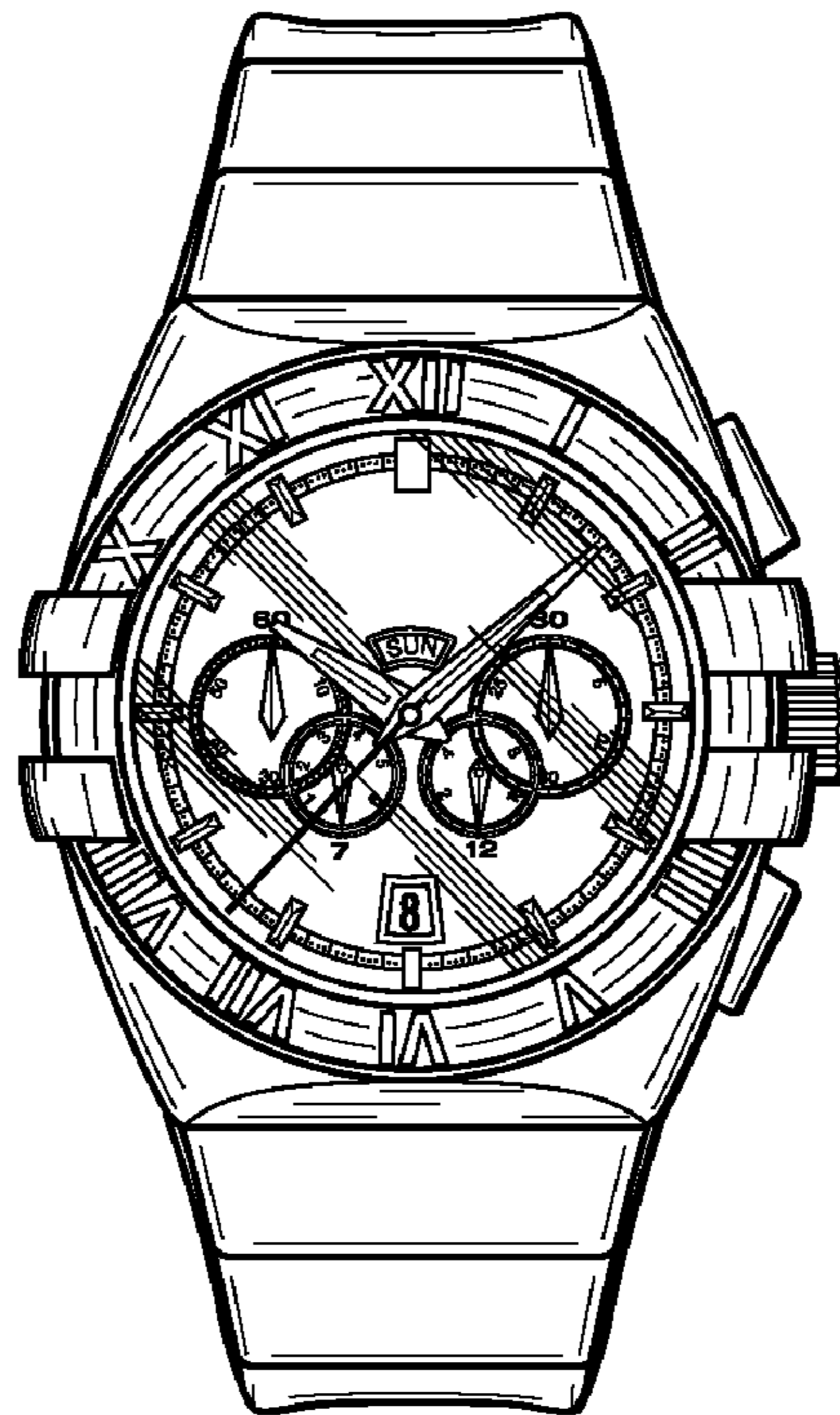


Fig. 2

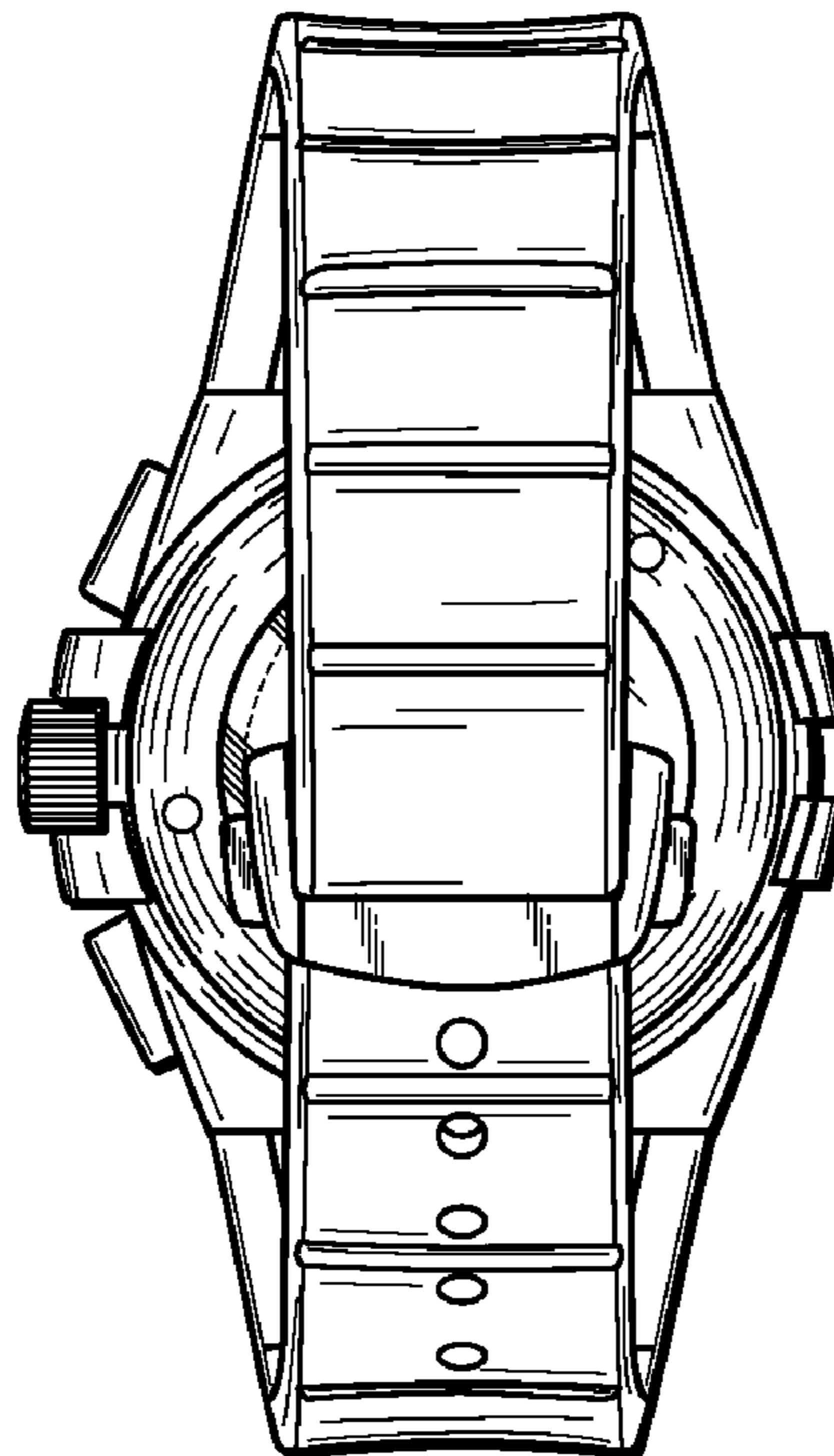


Fig. 3

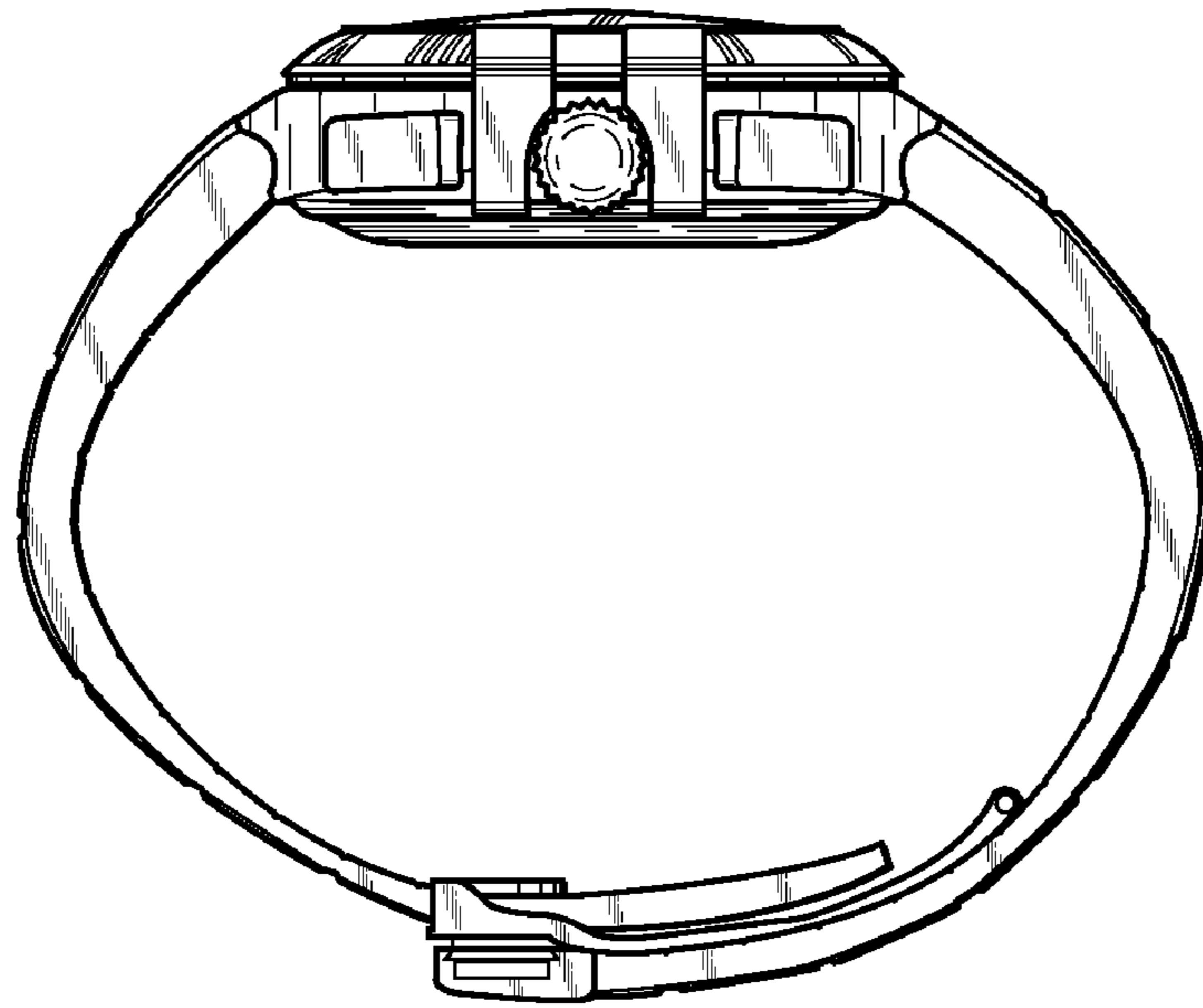


Fig. 4

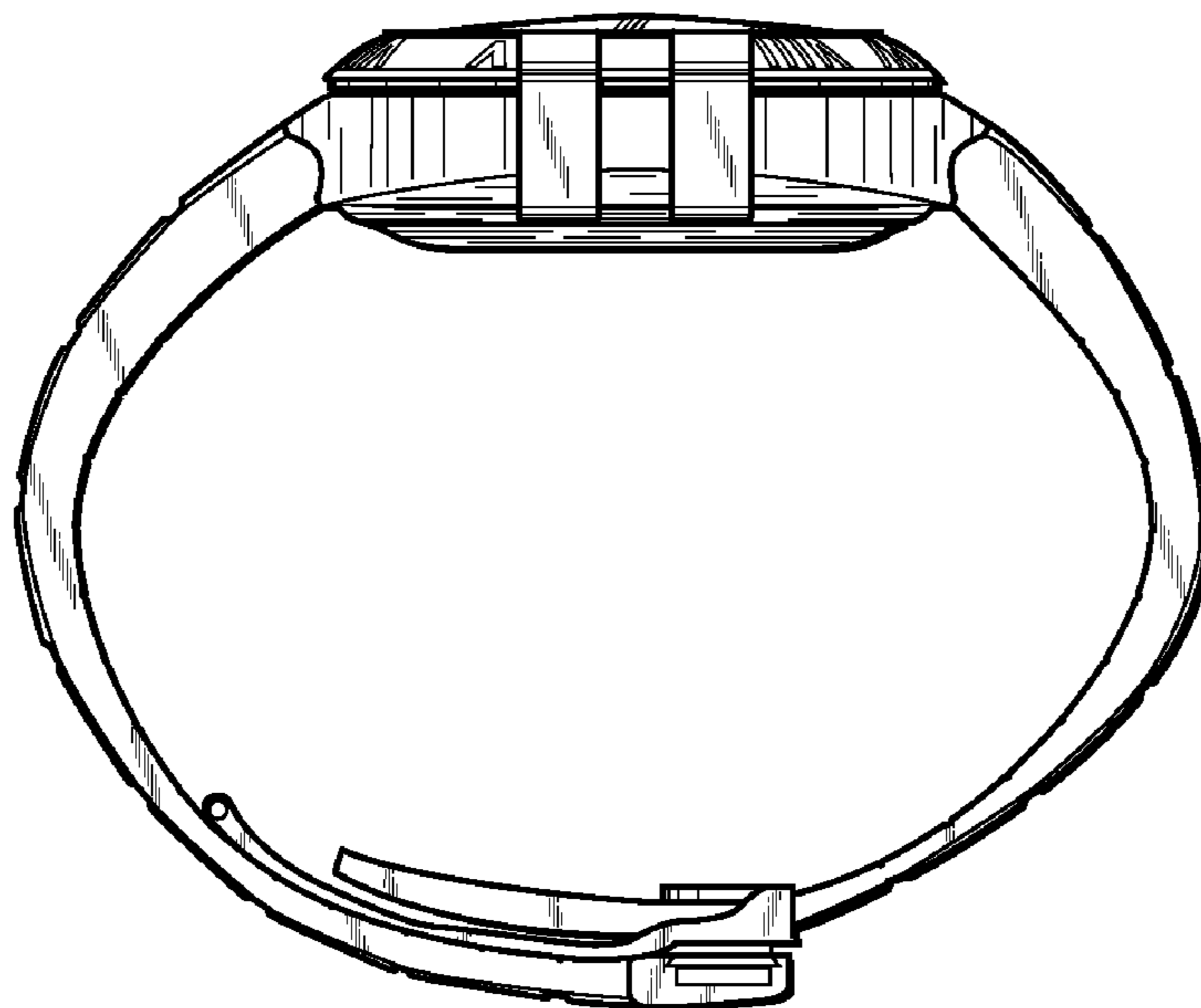


Fig. 5

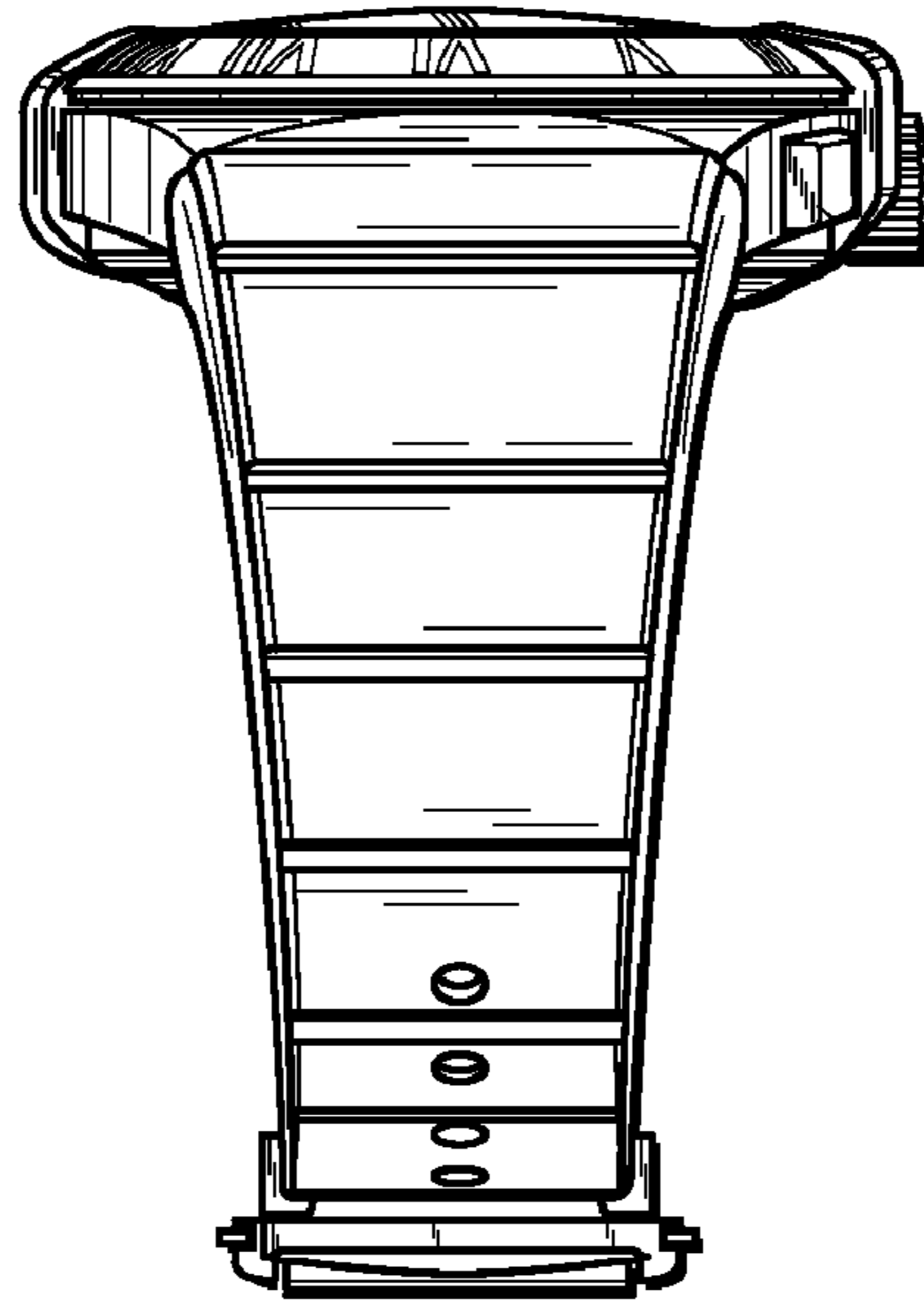


Fig. 6

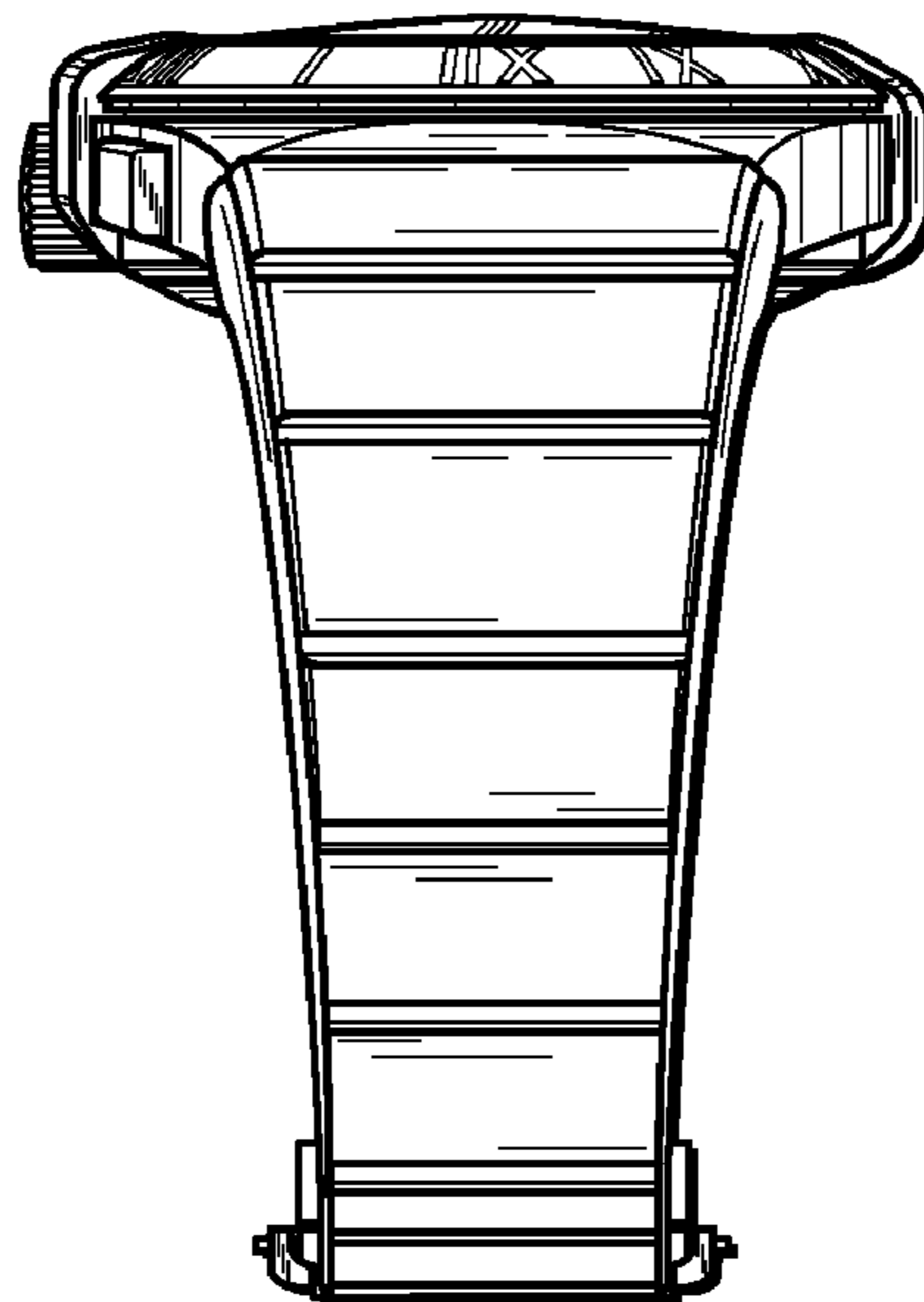


Fig. 7

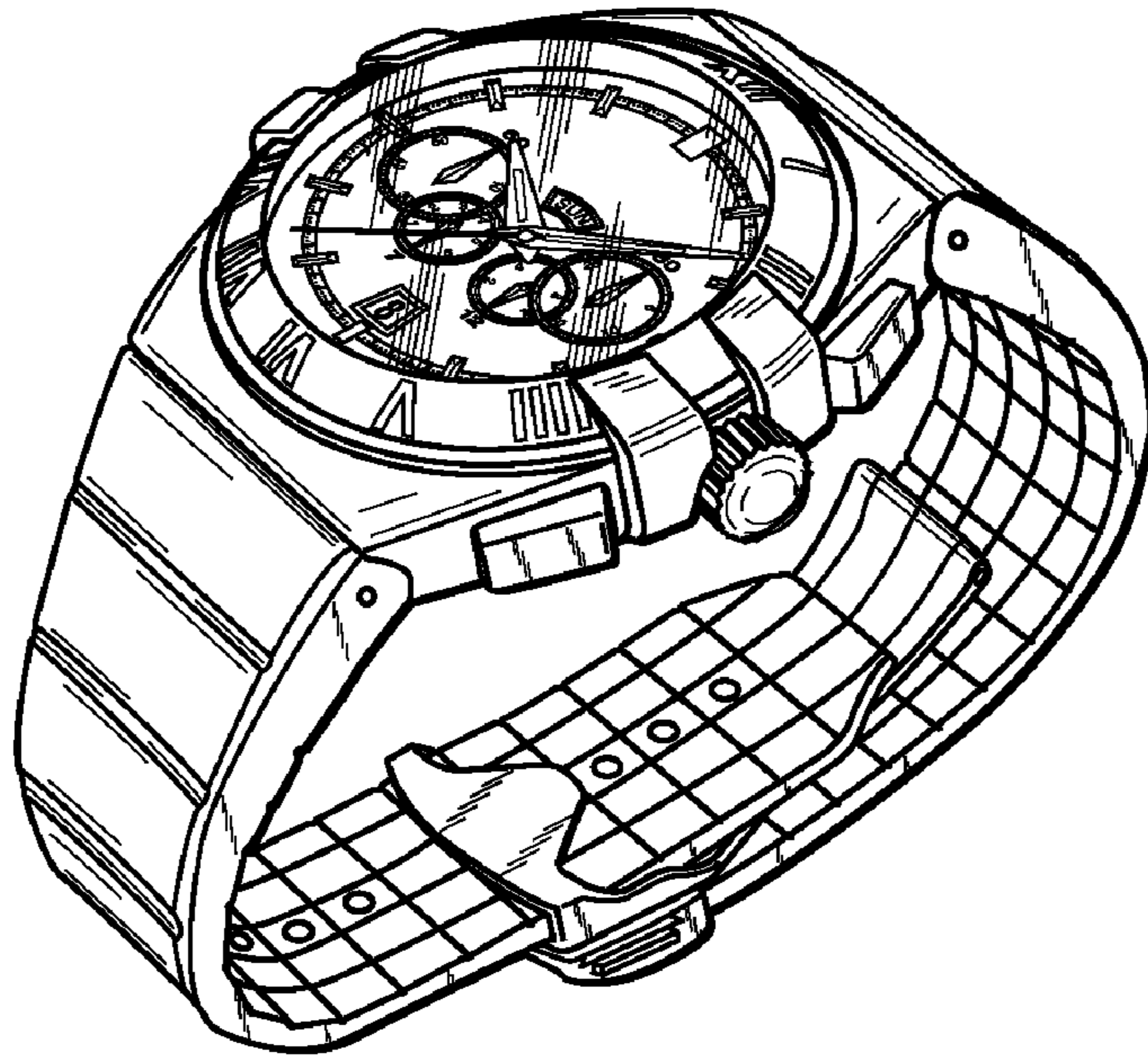


Fig. 8

