



US00D614509S

(12) **United States Design Patent**
Evans, Jr.

(10) **Patent No.:** **US D614,509 S**
(45) **Date of Patent:** **** Apr. 27, 2010**

(54) **CLOCK FACE**

(76) Inventor: **Lester Evans, Jr.**, 4255 Old Seward Hwy., Apt. 1B, Anchorage, AK (US) 99503

(**) Term: **14 Years**

(21) Appl. No.: **29/344,464**

(22) Filed: **Sep. 29, 2009**

(51) **LOC (9) Cl.** **10-01**

(52) **U.S. Cl.** **D10/6; D10/123**

(58) **Field of Classification Search** D10/1, D10/2, 6, 15, 33, 122-126; 368/223, 228, 368/80, 232, 285

See application file for complete search history.

(56) **References Cited**

U.S. PATENT DOCUMENTS

| | | | | | | |
|-----------|---|---|---------|----------------|-------|---------|
| D54,568 | S | * | 3/1920 | Weiwoda | | D10/6 |
| 1,363,311 | A | * | 12/1920 | Chrzanowski | | 368/316 |
| D62,839 | S | * | 8/1923 | McDaniel | | D10/2 |
| D91,101 | S | * | 11/1933 | Covone | | D10/6 |
| D143,478 | S | * | 1/1946 | Graeter | | D10/21 |
| 3,049,863 | A | | 8/1962 | Ranney | | |
| D211,894 | S | * | 8/1968 | Tokar | | D10/5 |
| D294,011 | S | * | 2/1988 | Hanson | | D10/32 |
| D319,193 | S | * | 8/1991 | Kwun | | D10/33 |
| D356,740 | S | * | 3/1995 | Wakahara | | D10/21 |
| D358,549 | S | * | 5/1995 | Dlugosz et al. | | D10/6 |
| D383,395 | S | * | 9/1997 | Giesbrecht | | D10/6 |
| D395,009 | S | * | 6/1998 | Magee | | D10/1 |

| | | | | | | |
|--------------|----|---|---------|------------------|-------|---------|
| D412,668 | S | * | 8/1999 | Swash et al. | | D10/6 |
| D516,931 | S | * | 3/2006 | Collins | | D10/123 |
| D518,385 | S | * | 4/2006 | Leung | | D10/6 |
| D522,385 | S | * | 6/2006 | Leung | | D10/6 |
| D527,654 | S | * | 9/2006 | Min | | D10/33 |
| D531,521 | S | | 11/2006 | Ali | | |
| D580,276 | S | * | 11/2008 | Evans, Jr. | | D10/6 |
| D599,220 | S | * | 9/2009 | Bialek-Wester | | D10/40 |
| 2006/0039242 | A1 | | 2/2006 | Ford, Jr. et al. | | |

* cited by examiner

Primary Examiner—Lucy Lieberman

(74) *Attorney, Agent, or Firm*—Crossley Patent Law; Mark A. Crossley

(57) **CLAIM**

The ornamental design for a clock face, as shown and described.

DESCRIPTION

FIG. 1 is a front elevation view of a clock face showing my new design;

FIG. 2 is a top plan view thereof;

FIG. 3 is a bottom plan view thereof;

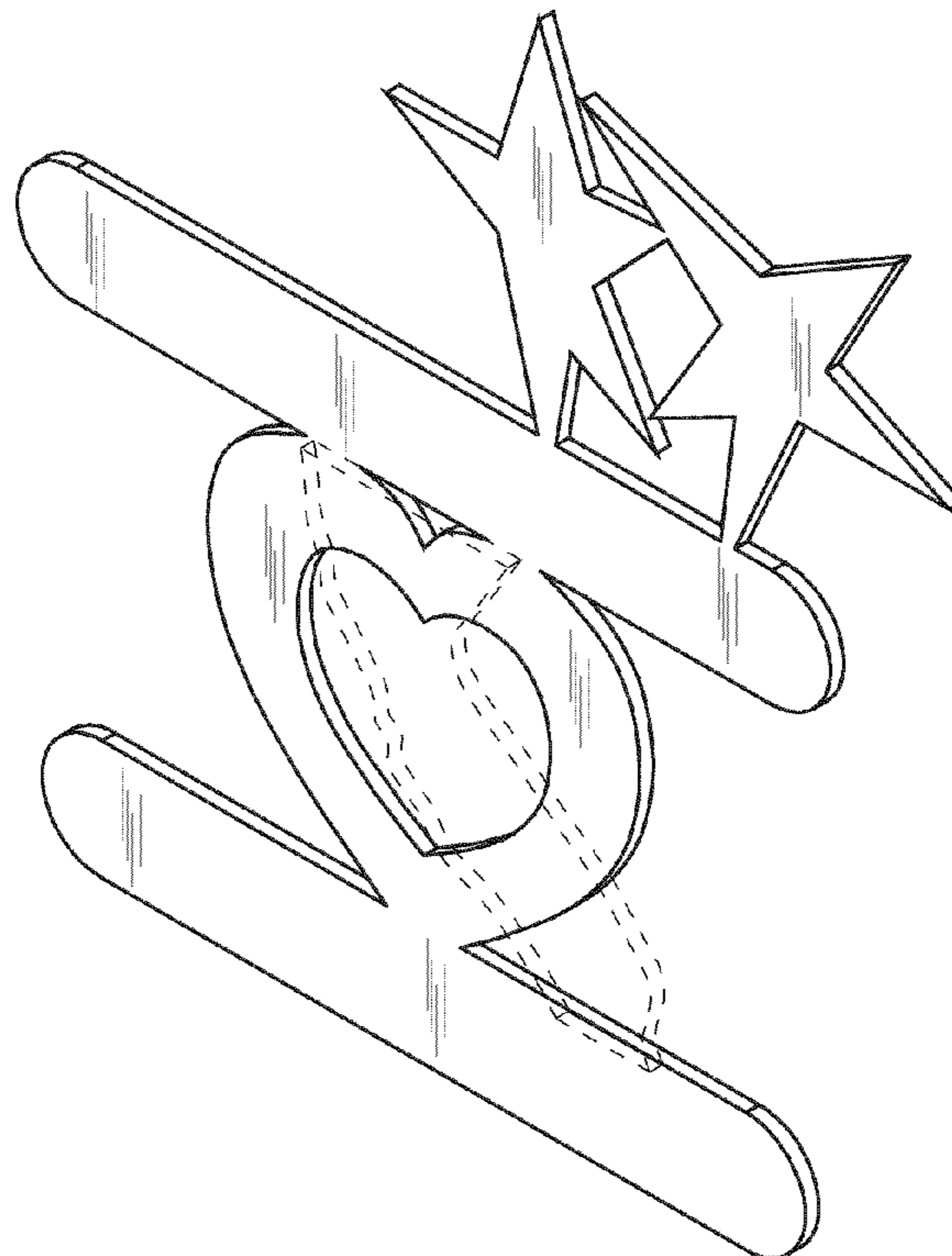
FIG. 4 is an isometric view thereof;

FIG. 5 is a right elevation view thereof; and,

FIG. 6 is a left elevation view thereof.

The broken lines in the drawings depict environmental subject matter only and form no part of the claimed design.

1 Claim, 2 Drawing Sheets



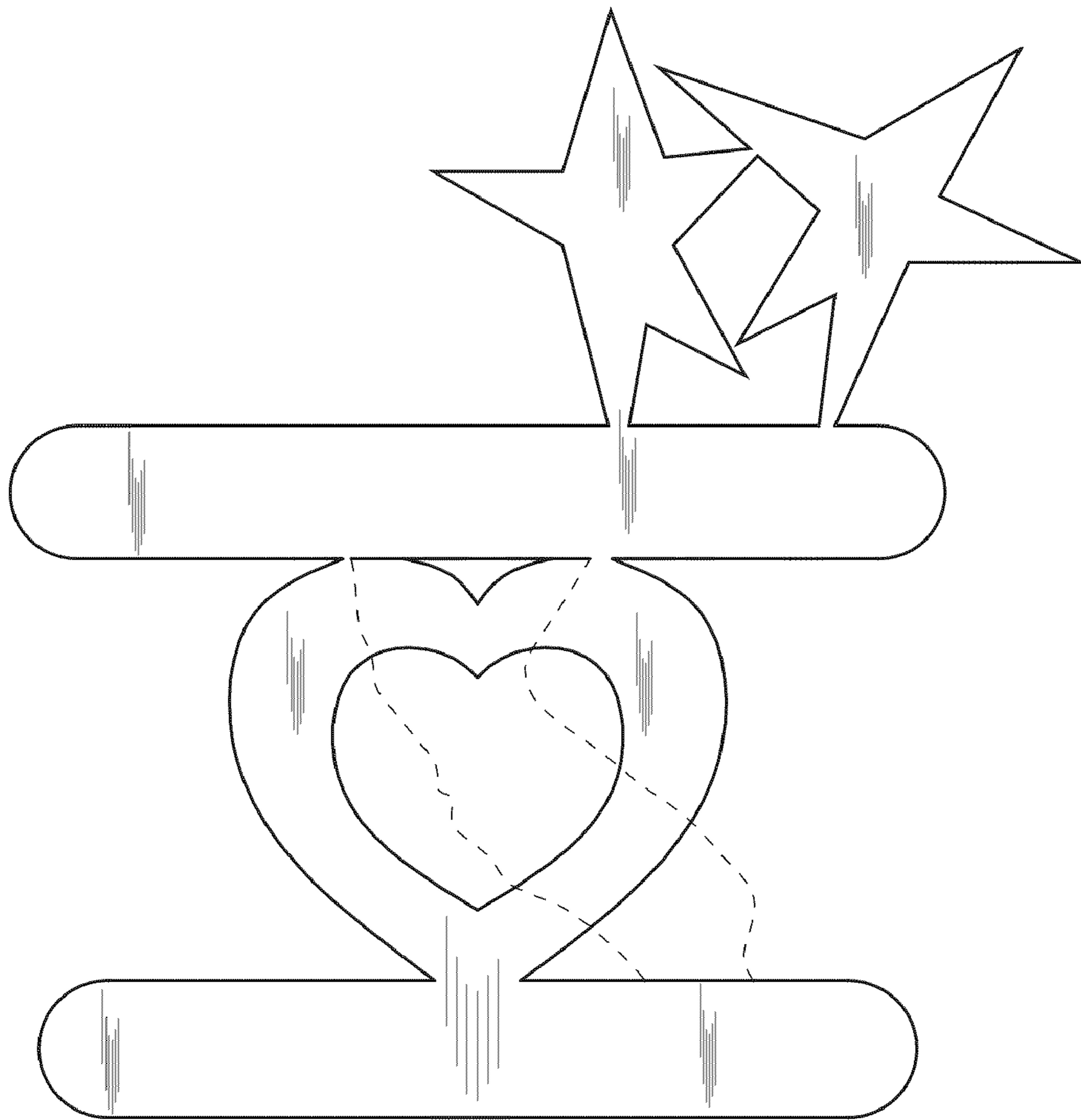


Fig. 1

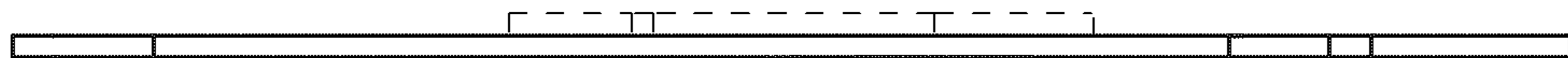


Fig. 2



Fig. 3

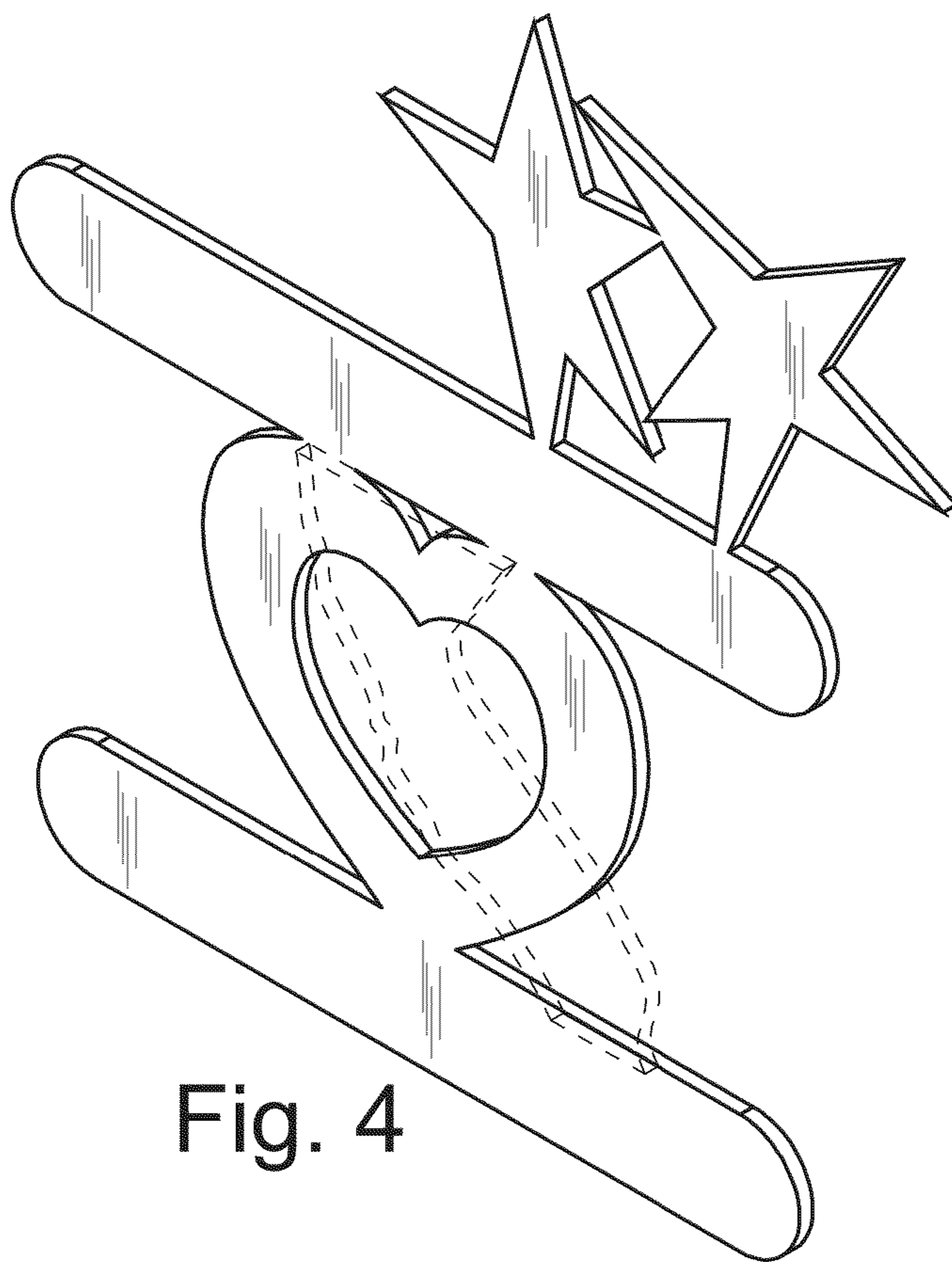


Fig. 4



Fig. 5



Fig. 6