



US00D614498S

(12) **United States Design Patent**  
**Fernandez et al.**

(10) **Patent No.:** **US D614,498 S**  
(45) **Date of Patent:** **\*\* Apr. 27, 2010**

(54) **BOTTLE**

(75) Inventors: **Diego Sebastián Briozzo Fernandez**,  
Buenos Aires (AR); **Adele Maraboli**,  
Casalpuusterlengo (IT); **Edward Arthur**  
**Mitchell**, London (GB); **Laurent Jean**  
**Albert Robin-Prevallee**, London (GB);  
**Giacomo Enrico Tesolin**, Milan (IT);  
**Nicholas Bela Verebelyi**, London (GB)

(73) Assignee: **Conopco, Inc.**, Englewood Cliffs, NJ  
(US)

(\*\*) Term: **14 Years**

(21) Appl. No.: **29/313,132**

(22) Filed: **Dec. 10, 2008**

(30) **Foreign Application Priority Data**

Jun. 11, 2008 (GB) ..... 4007894

(51) **LOC (9) Cl.** ..... **09-01**

(52) **U.S. Cl.** ..... **D9/537; D9/538; D9/554**

(58) **Field of Classification Search** ..... D9/645-646,  
D9/685, 516, 523, 530, 537-539, 540-543,  
D9/552, 554, 563, 565, 567, 574-575; 215/382-384,  
215/396

See application file for complete search history.

(56) **References Cited**

**U.S. PATENT DOCUMENTS**

D337,948 S \* 8/1993 Reif ..... D9/543  
D383,679 S \* 9/1997 Wilson et al. .... D9/552  
D393,207 S \* 4/1998 Farlander et al. .... D9/537  
D413,068 S \* 8/1999 Thouin et al. .... D9/552 X  
D417,839 S \* 12/1999 Sims et al. .... D9/646  
D445,340 S \* 7/2001 de Villiers et al. .... D9/554  
D449,530 S \* 10/2001 Sadeghi et al. .... D9/451  
D449,990 S \* 11/2001 Odet et al. .... D9/451  
D452,650 S \* 1/2002 Moore et al. .... D9/646  
D454,309 S \* 3/2002 Warner et al. .... D9/554  
D458,141 S \* 6/2002 Crawford et al. .... D9/530  
D507,490 S \* 7/2005 Mero et al. .... D9/554 X

D510,026 S \* 9/2005 Nelson et al. .... D9/516  
D515,427 S \* 2/2006 Schuller et al. .... D9/516  
D534,830 S \* 1/2007 Anastasiadis ..... D11/84  
D549,578 S \* 8/2007 Maffeo et al. .... D9/516  
D551,083 S \* 9/2007 Schwarz ..... D9/538  
D563,231 S \* 3/2008 Watts ..... D9/538  
D572,138 S \* 7/2008 Prater et al. .... D9/516  
D579,337 S \* 10/2008 Druart et al. .... D9/538  
D604,169 S \* 11/2009 Melossi ..... D9/538

**OTHER PUBLICATIONS**

Co-pending application for Applicant: Fernandez et al.; U.S. Appl. No. 29/313,131, filed Dec. 10, 2008; Conf. No. 1802; entitled: Bottle.

Co-pending application for Applicant: Fernandez et al.; U.S. Appl. No. 29/313,130, filed Dec. 10, 2008; Conf. No. 3971; entitled: Bottle.

(Continued)

*Primary Examiner*—Carol Rademaker

(74) *Attorney, Agent, or Firm*—Ronald A. Koatz

(57) **CLAIM**

The ornamental design for a bottle, as shown and described.

**DESCRIPTION**

FIG. 1 is a top, front, and right side perspective view of a bottle;

FIG. 2 is a front elevational view thereof;

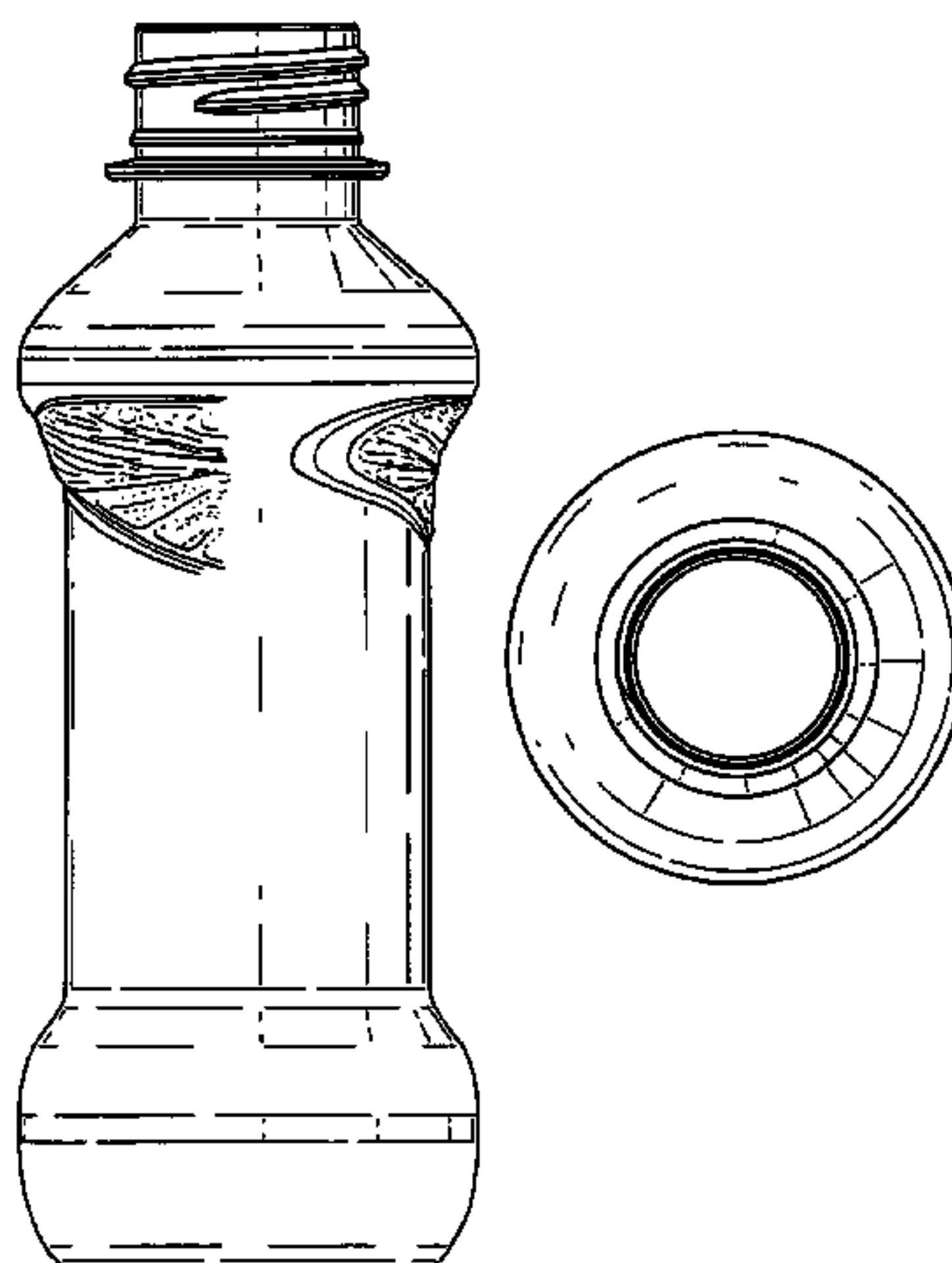
FIG. 3 is a rear elevational view thereof;

FIG. 4 is a right side elevational view thereof;

FIG. 5 is a left side elevational view thereof; and,

FIG. 6 is a top plan view thereof.

**1 Claim, 4 Drawing Sheets**



# US D614,498 S

Page 2

---

## OTHER PUBLICATIONS

Co-pending application for Applicant: Fernandez et al.; U.S. Appl. No. 29/313,129, filed Dec. 10, 2008; Conf. No. 7657; entitled: Bottle.

Co-pending application for Applicant: Fernandez et al.; U.S. Appl. No. 29/313,128; filed Dec. 10, 2008; Conf. No. 1324; entitled: Bottle.

\* cited by examiner

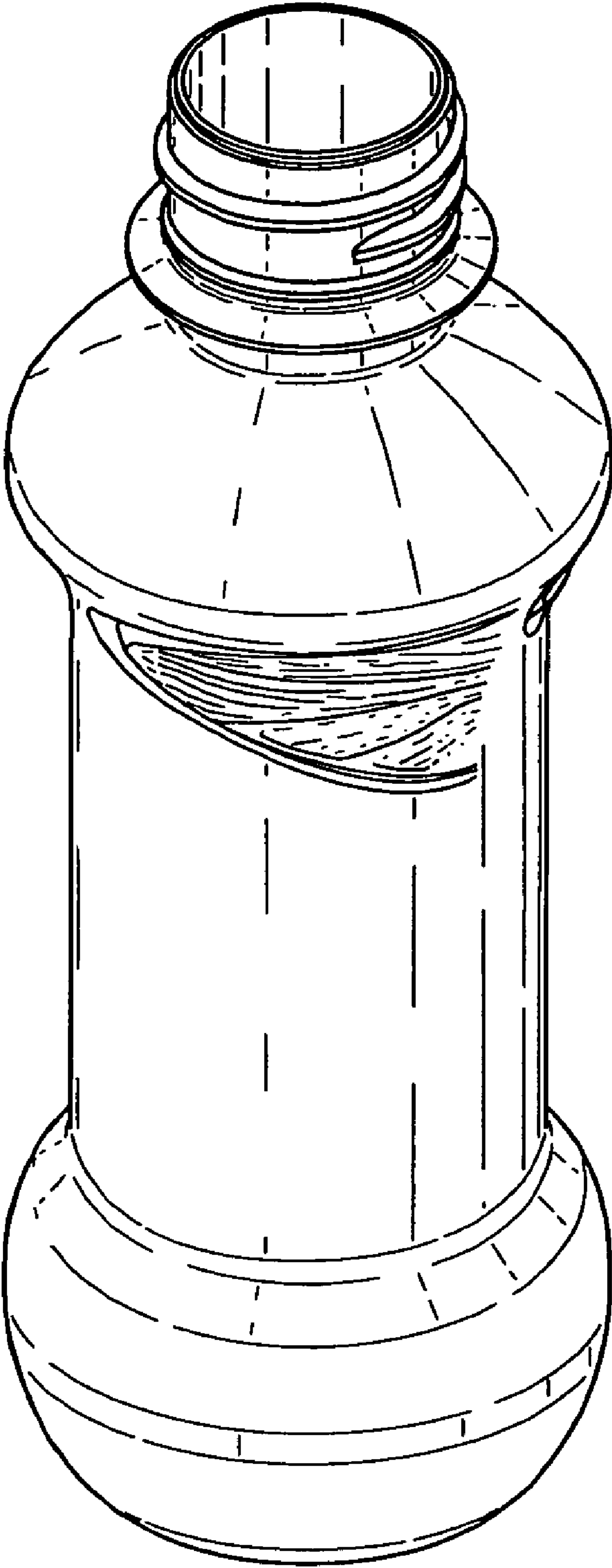


Fig. 1.

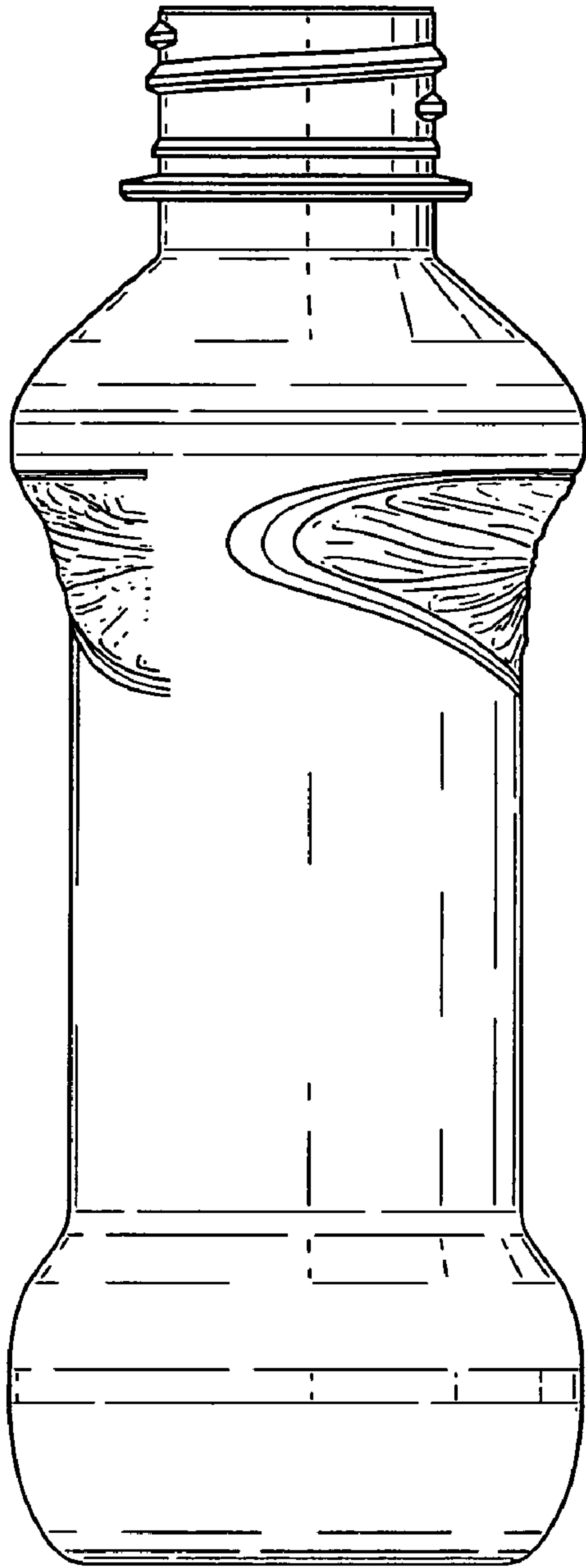


Fig.2.

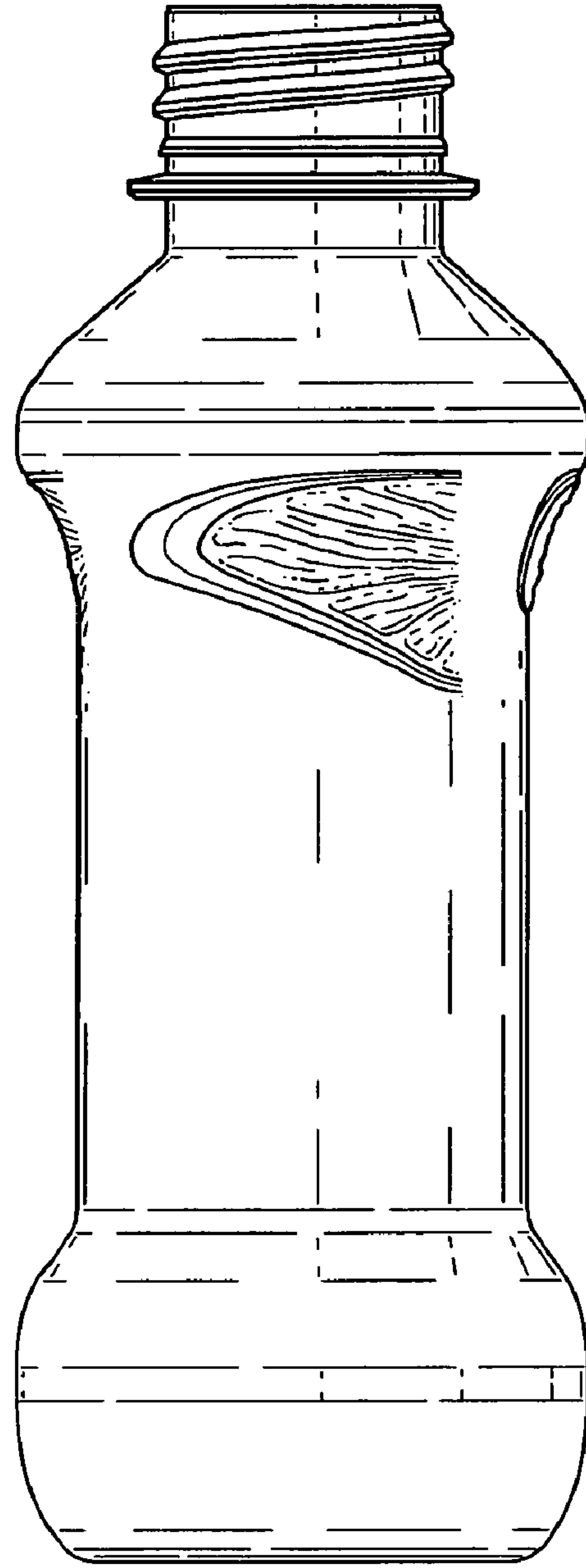


Fig.3.

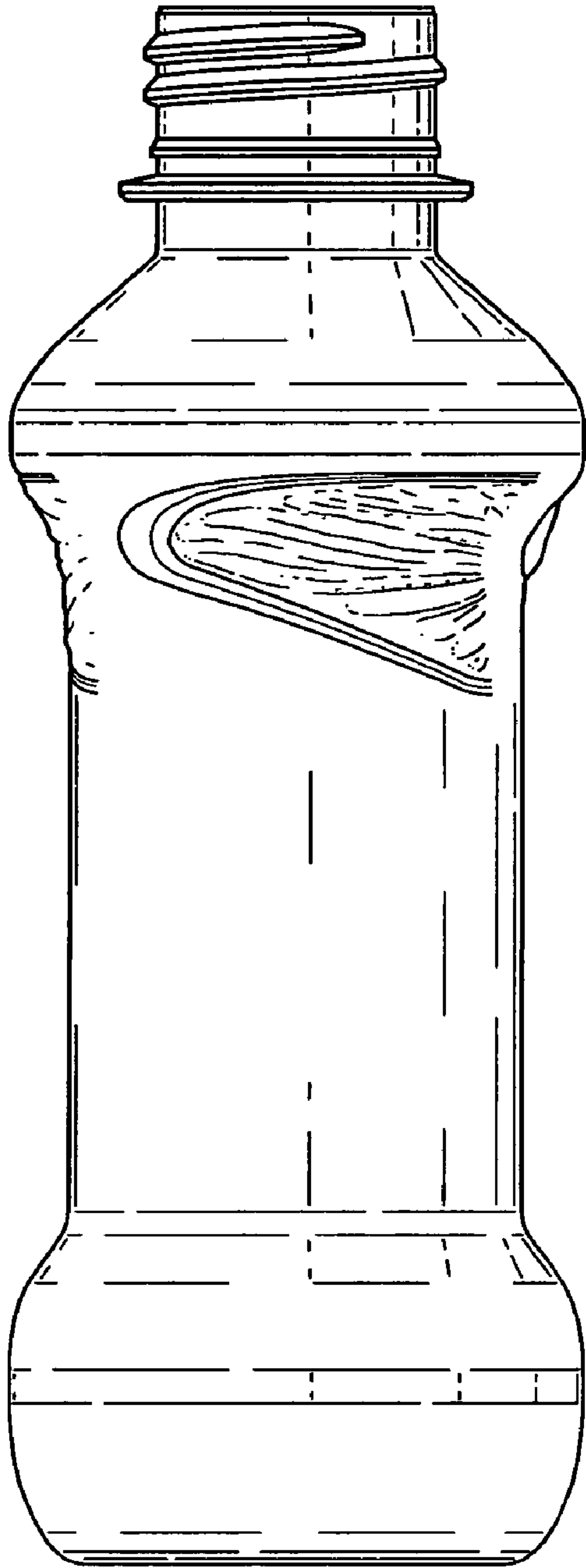


Fig.4.

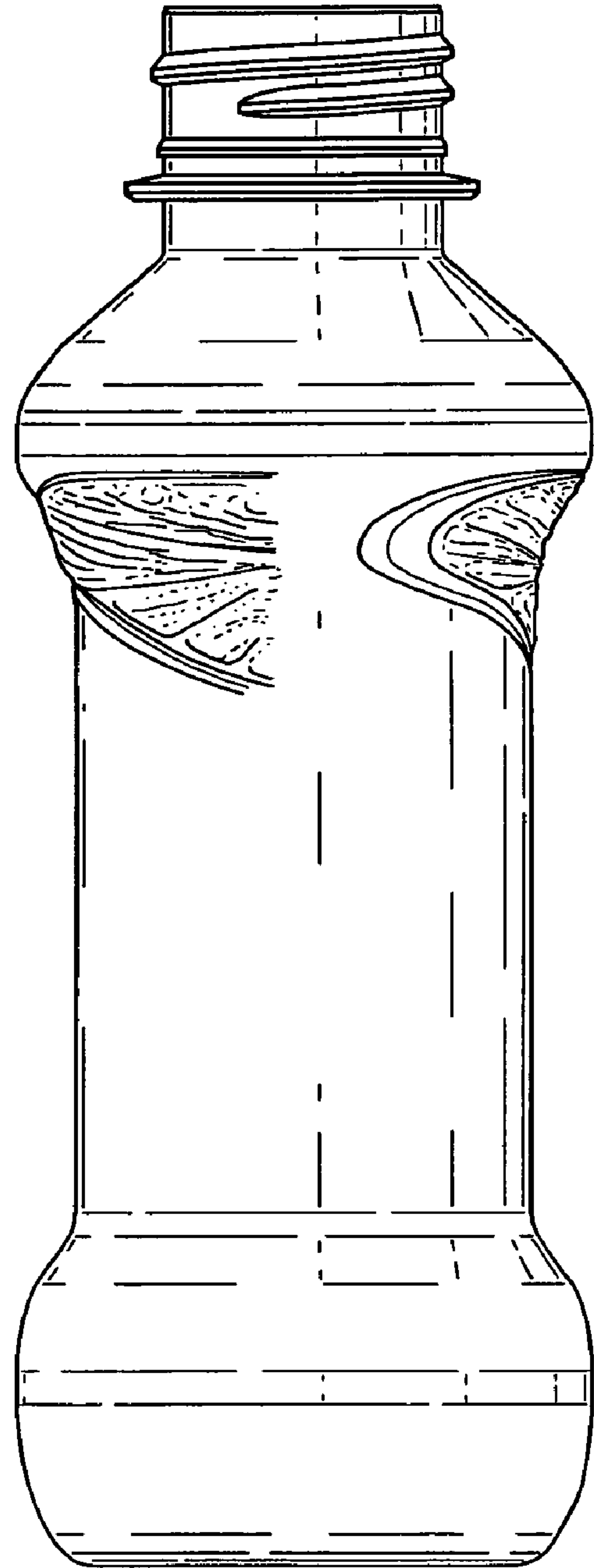
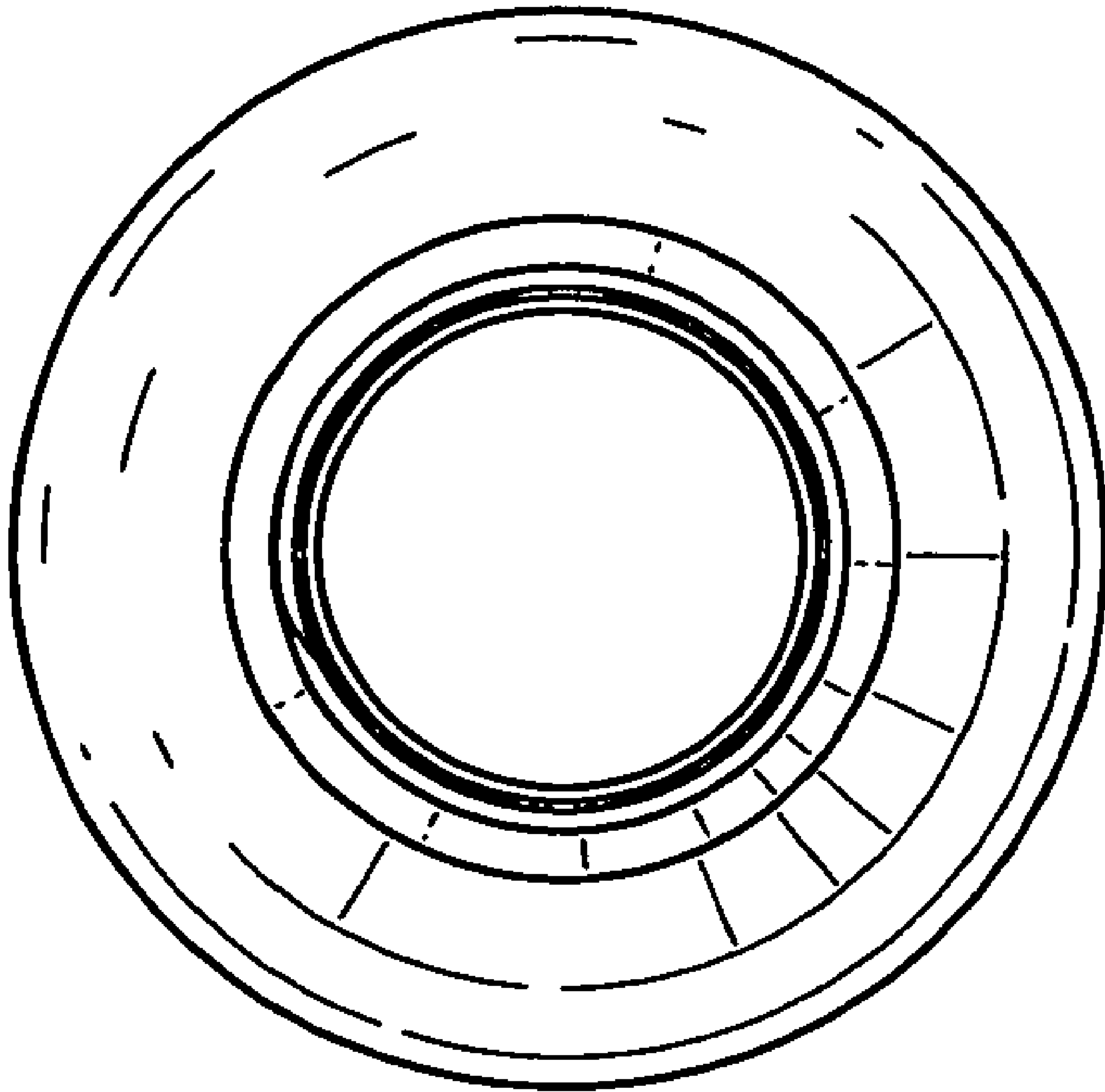


Fig.5.



**Fig. 6.**