



US00D614493S

(12) **United States Design Patent**
Creed et al.

(10) **Patent No.:** **US D614,493 S**
(45) **Date of Patent:** **** Apr. 27, 2010**

(54) **CONTAINER FOR HAIR CARE COMPOSITION**

(75) Inventors: **Shari Creed**, Pacific Palisades, CA (US); **Lori Golden**, Venice, CA (US); **Jennifer Claire Jarvis**, Mason, OH (US); **Andrew Benjamin Watson**, West Chester, OH (US); **Julie Cohen Woffington**, Cincinnati, OH (US); **Aurelio Vito**, East Stroudsburg, PA (US)

(73) Assignee: **The Procter & Gamble Company**, Cincinnati, OH (US)

(**) Term: **14 Years**

(21) Appl. No.: **29/353,872**

(22) Filed: **Jan. 15, 2010**

Related U.S. Application Data

(62) Division of application No. 29/333,643, filed on Mar. 12, 2009.

(51) **LOC (9) Cl.** **09-01**

(52) **U.S. Cl.** **D9/503**

(58) **Field of Classification Search** D9/500,
D9/502-505, 516, 537-540, 549, 557-558,
D9/682-683, 686, 688-692; 215/379, 381-382;
220/660, 662, 669-673, 675

See application file for complete search history.

(56) **References Cited**

U.S. PATENT DOCUMENTS

D379,714 S * 6/1997 Cerny et al. D3/264

OTHER PUBLICATIONS

Patricia Wexler M.D. Acnostat Overnight Acne Repair Lotion Published Feb. 2006.

Patricia Wexler M.D. MMPi Skin Regenerating Serum Published Jan. 2006.

Patricia Wexler M.D. Oil-Free Hydrator Published Jan. 2006.
Patricia Wexler M.D. Skin-Quenching Calming Mist Published Feb. 2006.

Patricia Wexler M.D. Under-Eye Brightening Cream Published Feb. 2006.

Patricia Wexler M.D. Universal Anti-Aging Cleanser Published Jan. 2006.

* cited by examiner

Primary Examiner—Ian Simmons

Assistant Examiner—Dana L Sipos

(74) *Attorney, Agent, or Firm*—Laura R. Grunzinger

(57) **CLAIM**

The ornamental design for a container for hair care composition, as shown and described.

DESCRIPTION

FIG. 1 is a perspective view of a container for hair care composition, embodying our new design;

FIG. 2 is a front view of the container for hair care composition of FIG. 1;

FIG. 3 is a first side view of the container for hair care composition of FIG. 1;

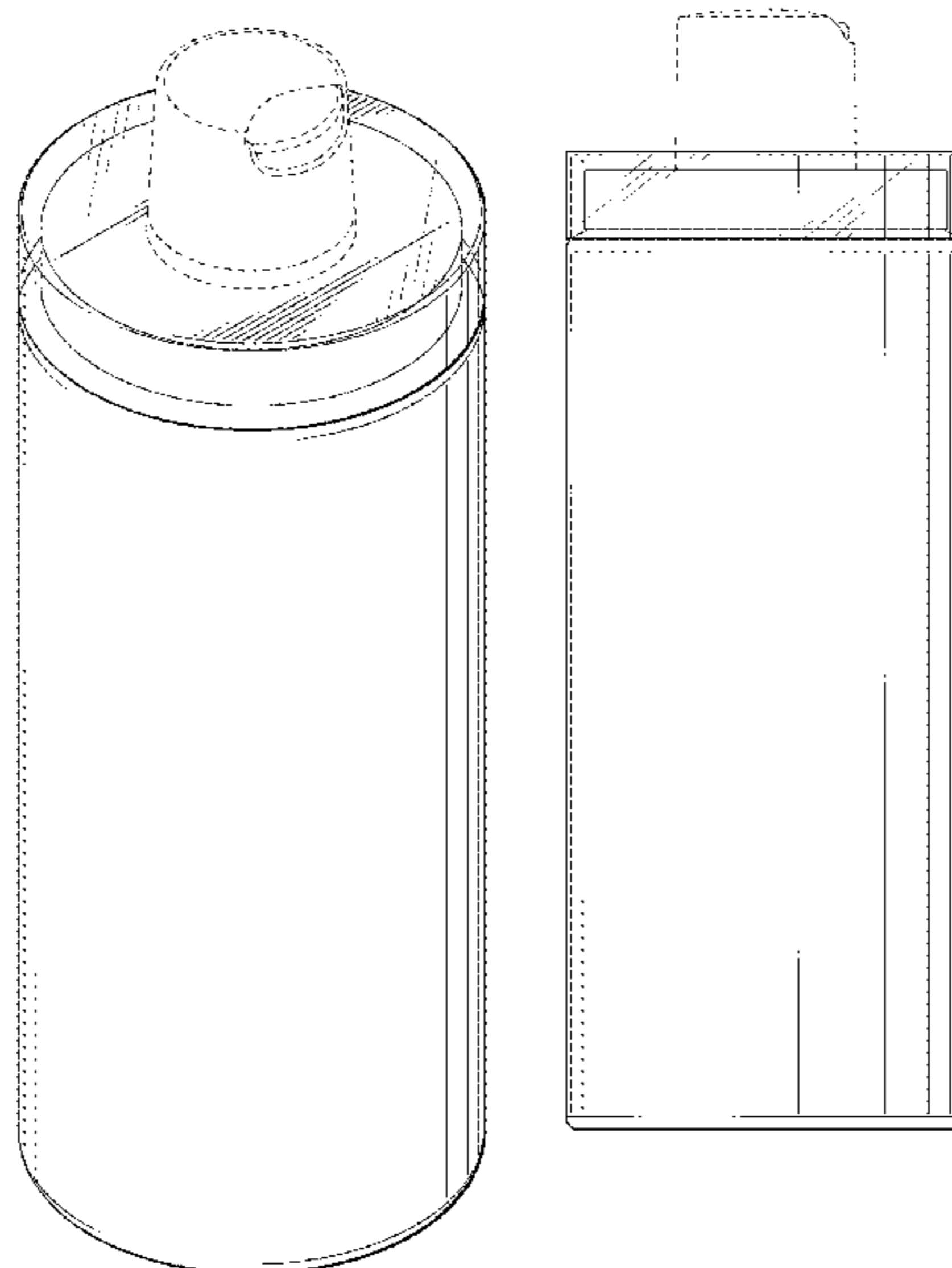
FIG. 4 is a back side view of the container for hair care composition of FIG. 1;

FIG. 5 is a top view of the container for hair care composition of FIG. 1; and,

FIG. 6 is a bottom view of the container for hair care composition of FIG. 1.

The broken lines shown in the drawings are for illustrative purposes only and form no part of the claimed design. Our design resides in a container for a hair care composition wherein certain portions are opaque and certain portions are transparent. Conventional transparency shading is utilized for the transparent portions.

1 Claim, 3 Drawing Sheets



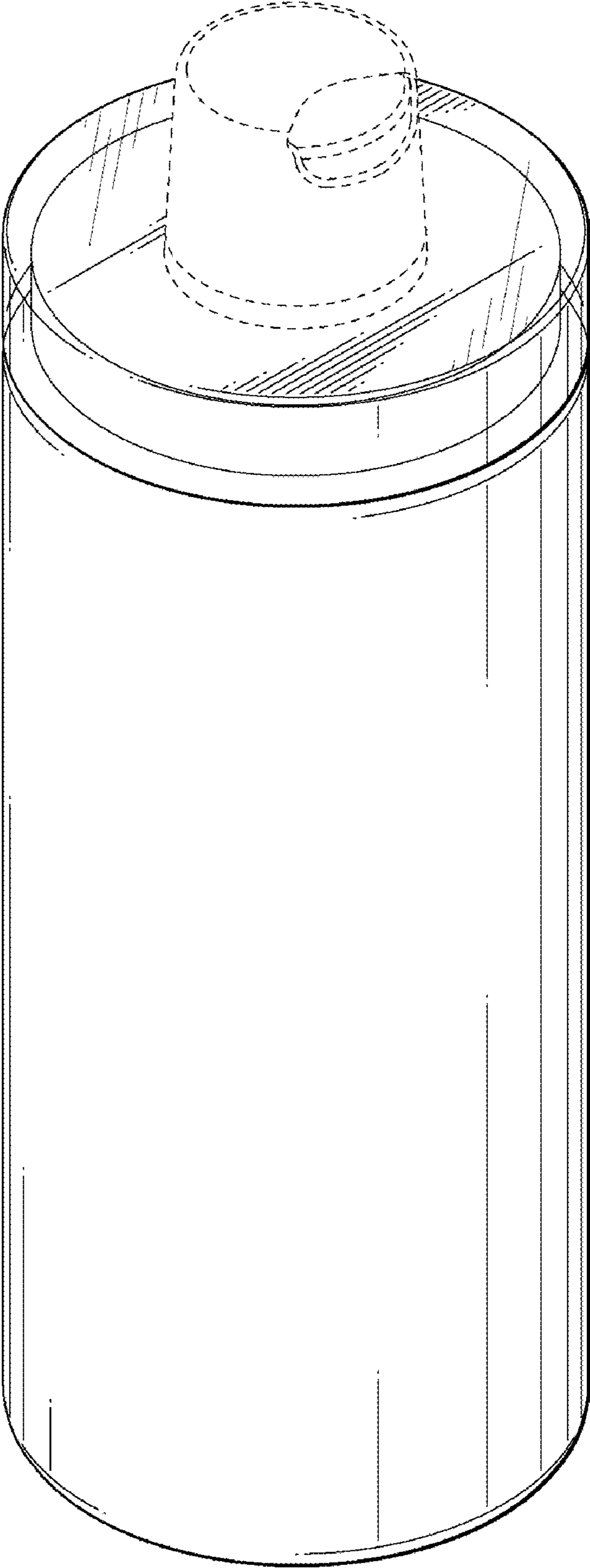


FIG. 1

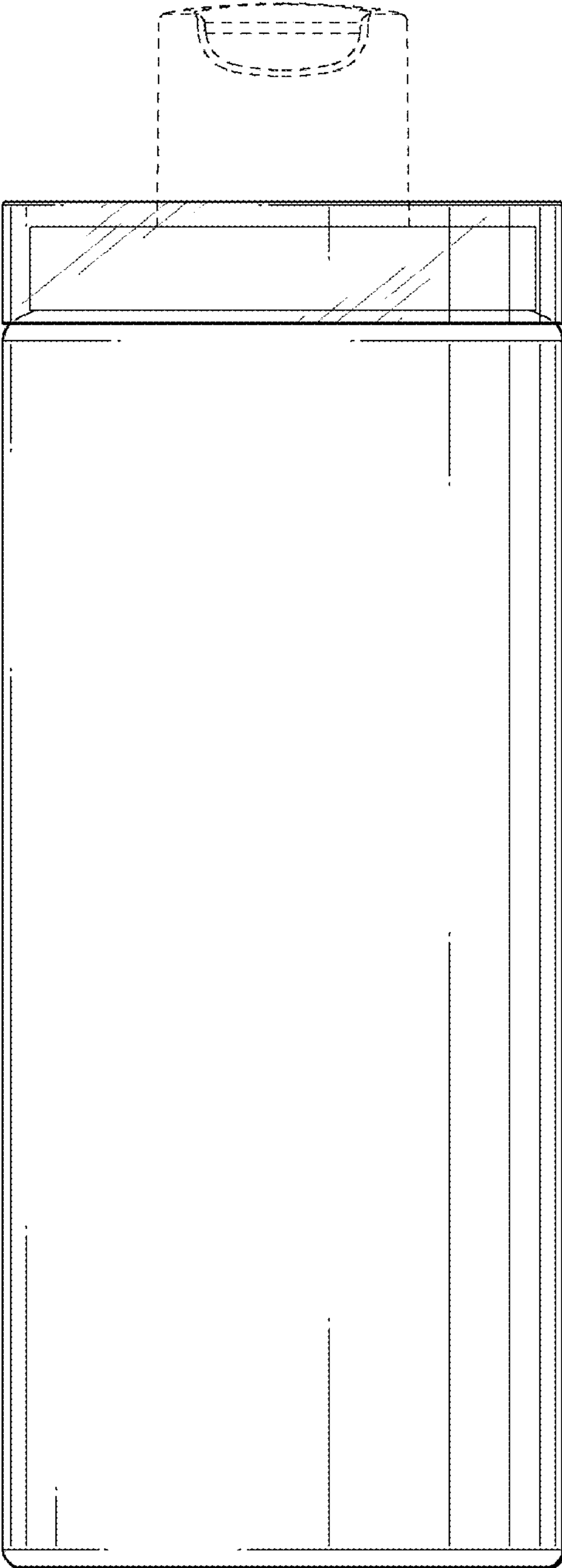


FIG. 2

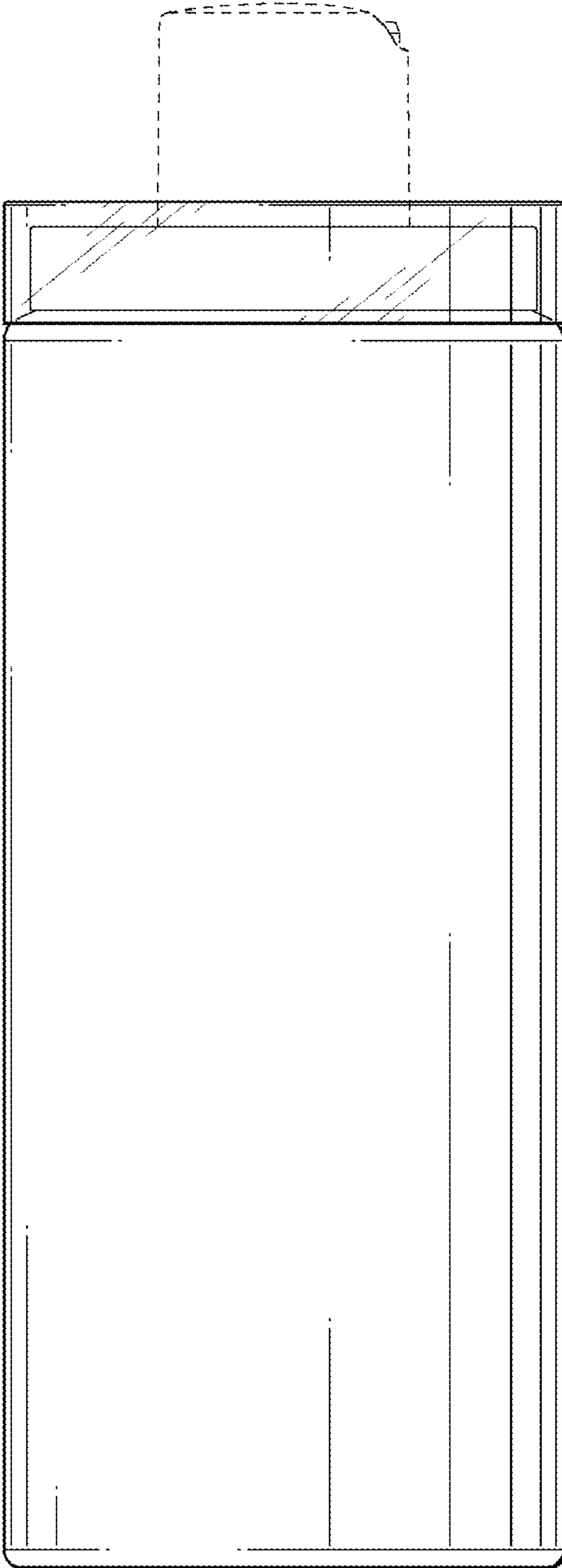


FIG. 3

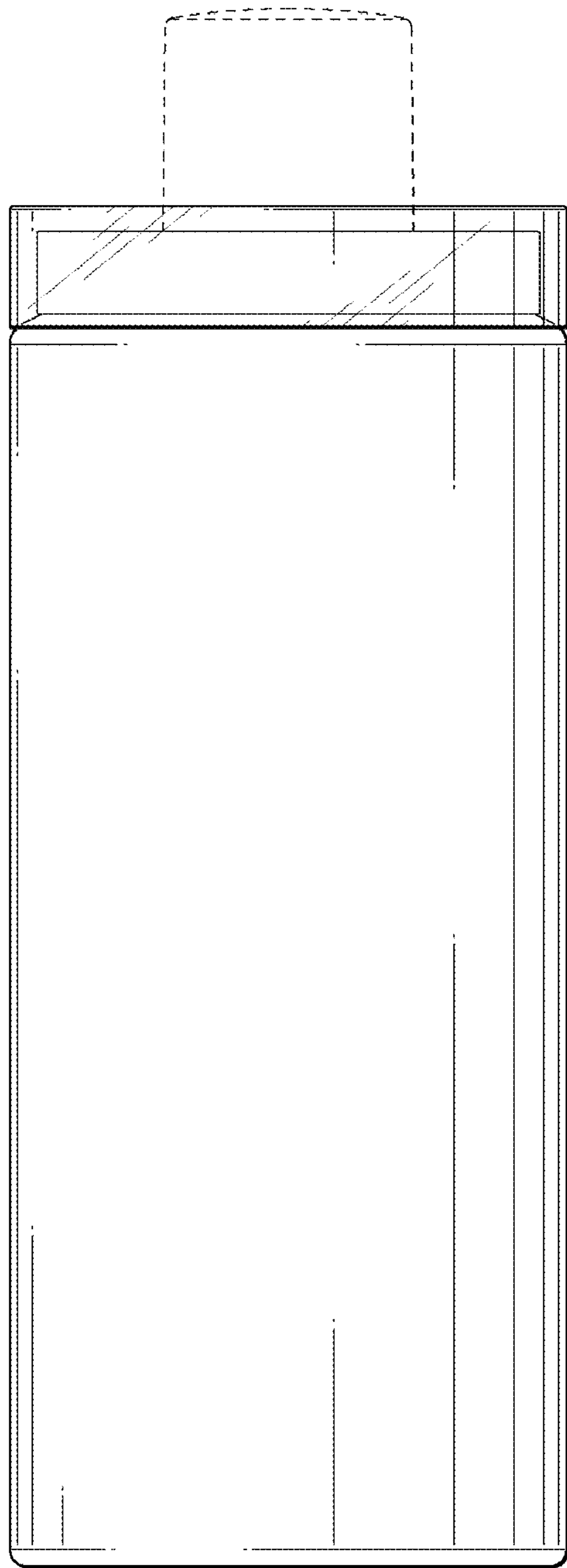


FIG. 4

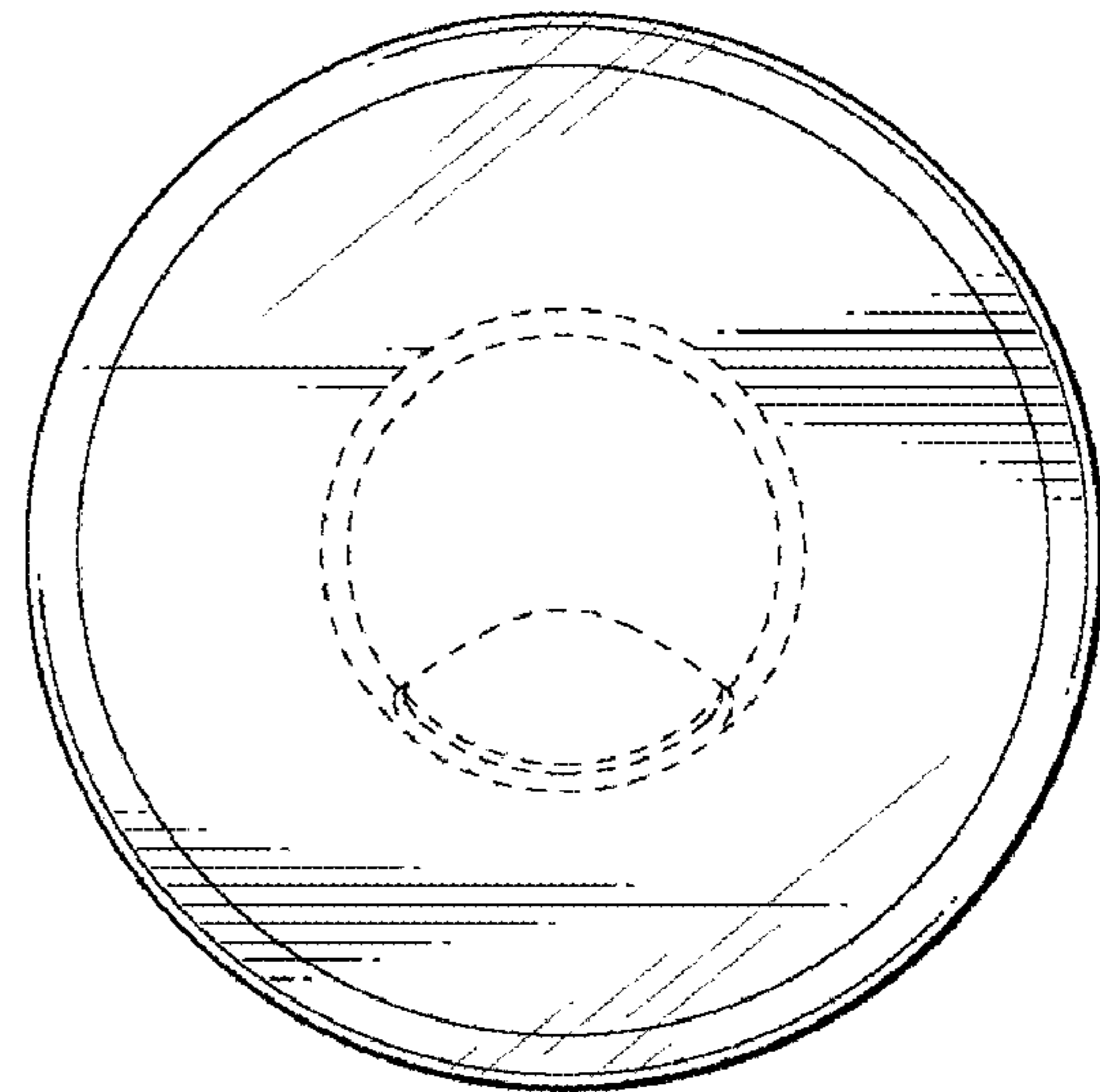


FIG. 5

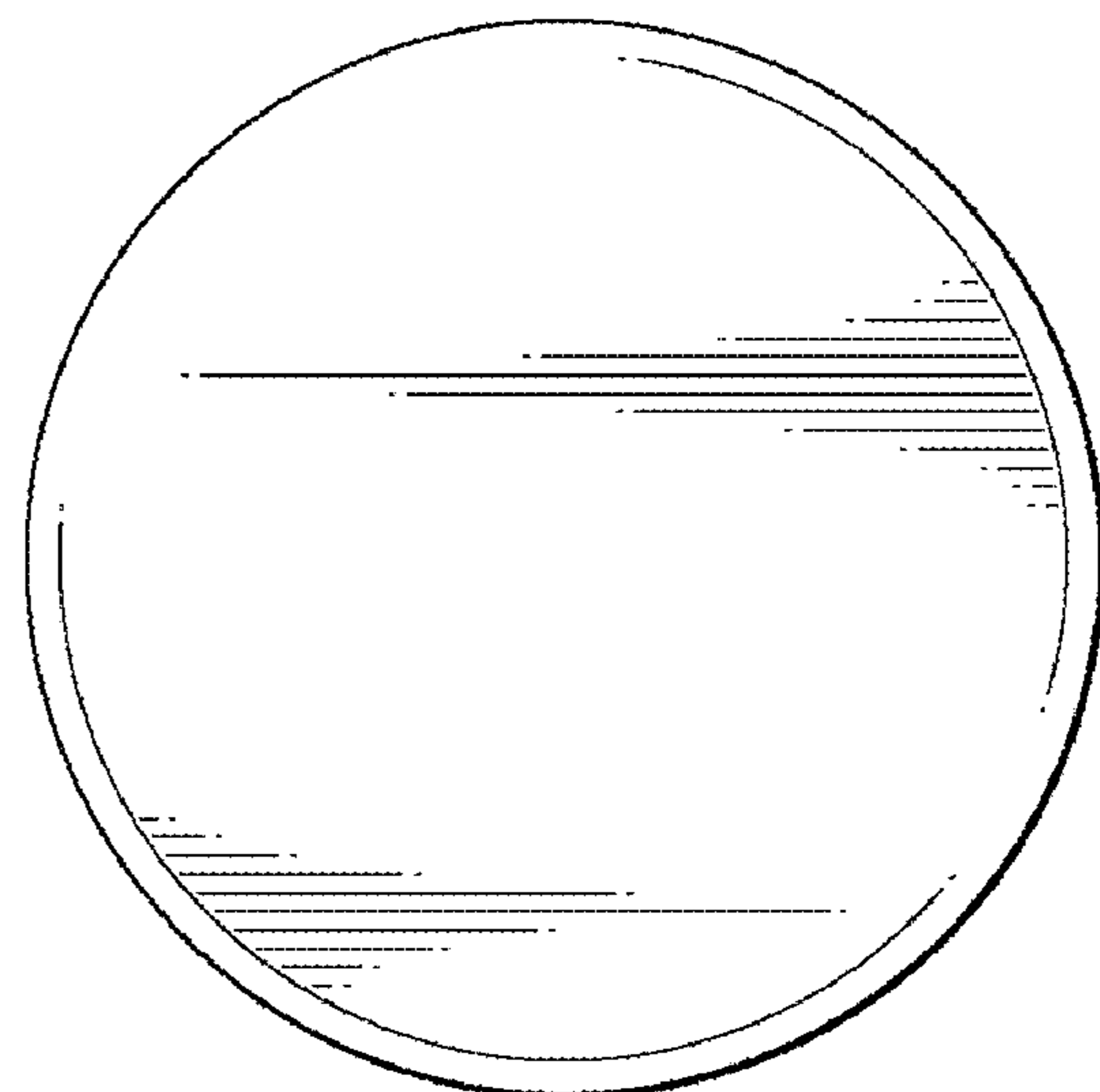


FIG. 6