



US00D614488S

(12) **United States Design Patent**
Kallenbach et al.

(10) **Patent No.:** **US D614,488 S**

(45) **Date of Patent:** **** Apr. 27, 2010**

(54) **DISPENSING CLOSURE**

(75) Inventors: **Jason Kallenbach**, Wooster, OH (US);
Rebecca Hostetler, Orrville, OH (US);
Phillip M. Rosegrant, Niceville, FL
(US); **John Wisniewski**, Wauwatosa, WI
(US); **Christopher Danks**, Waukesha,
WI (US)

(73) Assignee: **The J.M. Smucker Company**, Orrville,
OH (US)

(**) Term: **14 Years**

(21) Appl. No.: **29/339,021**

(22) Filed: **Jun. 23, 2009**

(51) **LOC (9) Cl.** **09-07**

(52) **U.S. Cl.** **D9/449; D9/453**

(58) **Field of Classification Search** D9/454,
D9/450, 449, 447, 446, 443, 438, 436, 435,
D9/434; D7/510, 396.2, 391; 222/565, 556,
222/109, 498, 153.01–153.04; 221/63; 220/847,
220/838, 375, 367.1, 258.2, 257.1, 254.1–254.4;
215/306, 256, 249, 243, 237, 235, 230; 16/257
See application file for complete search history.

(56) **References Cited**

U.S. PATENT DOCUMENTS

2,826,343 A 3/1958 Albani
3,059,816 A * 10/1962 Goldstein 222/109
3,100,589 A * 8/1963 Love, Jr. 222/480

(Continued)

OTHER PUBLICATIONS

Unique Packpaper magazine, 12 pages, p. 6, dated Jan. 2009, Greiner
Packaging GmbH.

Primary Examiner—Susan Bennett Hattan

(74) *Attorney, Agent, or Firm*—Calfee, Halter & Griswold
LLP

(57) **CLAIM**

We claim the ornamental designs for dispensing closures, as
shown and described.

DESCRIPTION

FIGS. 1–7 are views of an exemplary dispensing closure.

FIG. 1 is a perspective view of the dispensing closure.

FIG. 2 is a top plan view of the dispensing closure.

FIG. 3 is a bottom plan view of the dispensing closure.

FIG. 4 is a left side elevational view of the dispensing closure.

FIG. 5 is a right side elevational view of the dispensing
closure.

FIG. 6 is a front elevational view of the dispensing closure.

FIG. 7 is a rear elevational view of the dispensing closure.

FIG. 8 is a perspective view of another exemplary dispensing
closure. Other than the orifices, the dispensing closure of FIG.
8 is identical to the dispensing closure of FIGS. 1–7.

FIG. 9 is a top plan view of the dispensing closure of FIG. 8.

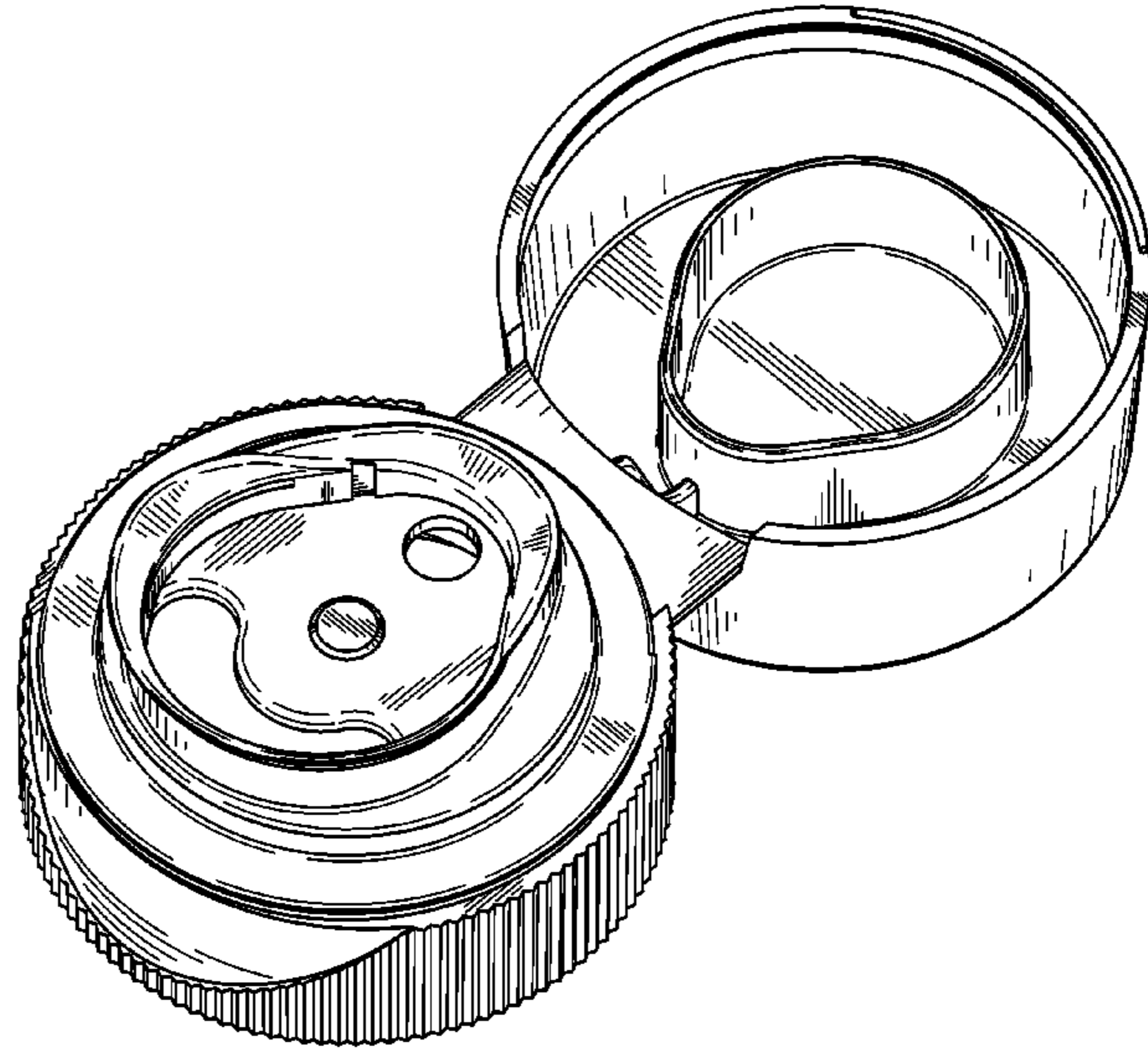
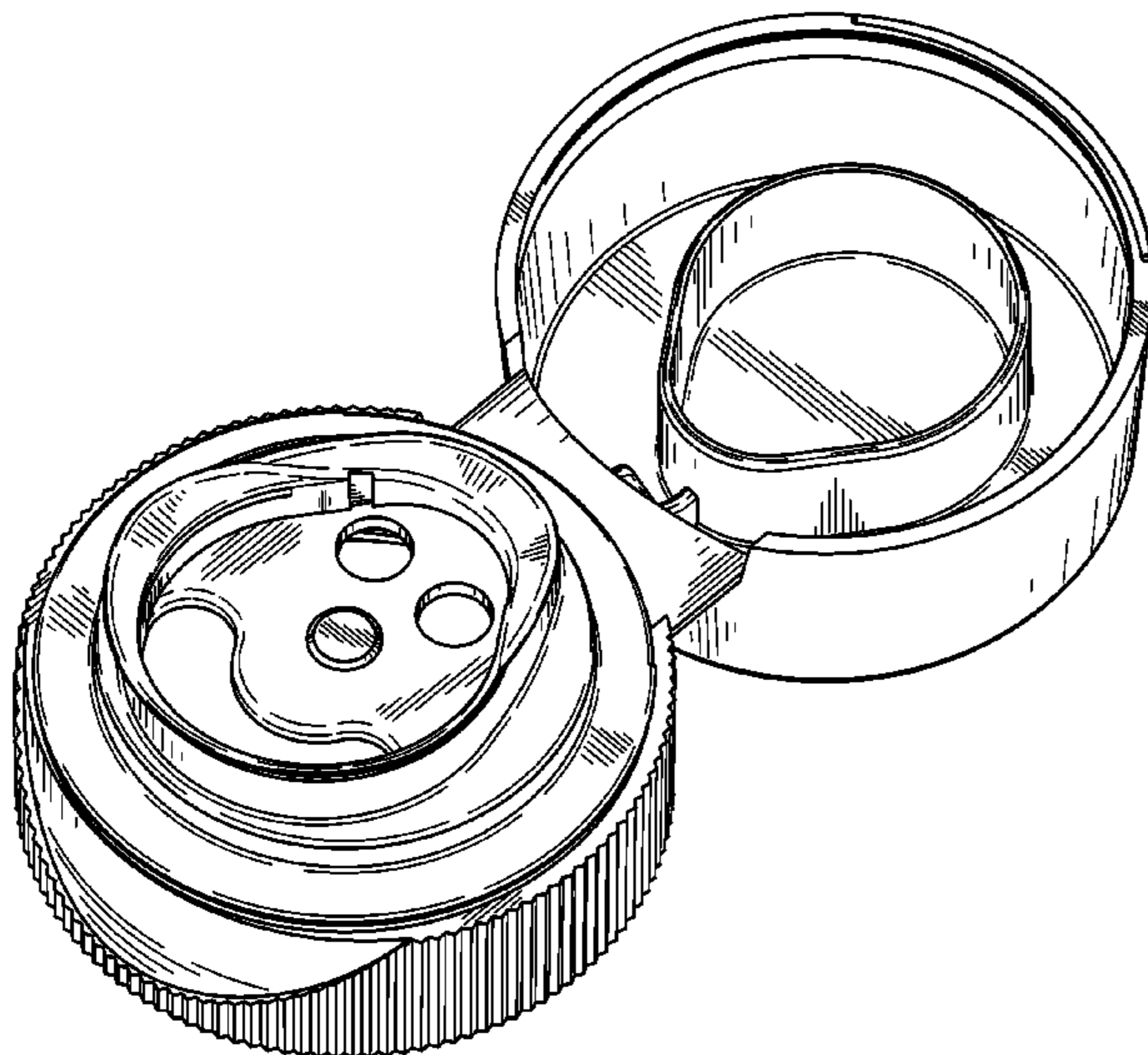
FIG. 10 is a perspective view of another exemplary dispensing
closure. Other than the orifices, the dispensing closure of
FIG. 10 is identical to the dispensing closure of FIGS. 1–7.

FIG. 11 is a top plan view of the dispensing closure of FIG. 10.

FIG. 12 is a perspective view of still another exemplary dis-
pensing closure. Other than the orifices, the dispensing closure
of FIG. 12 is identical to the dispensing closure of FIGS.
1–7; and,

FIG. 13 is a top plan view of the dispensing closure of FIG. 12.

1 Claim, 11 Drawing Sheets



US D614,488 S

U.S. PATENT DOCUMENTS									
3,131,824	A	5/1964	Baarn			6,250,517	B1	6/2001	Samz et al.
3,143,256	A *	8/1964	Lazure et al.	222/480		6,299,033	B1	10/2001	VerWeyst et al.
3,180,537	A	4/1965	Collins			6,308,870	B2	10/2001	Samz et al.
3,292,828	A	12/1966	Stuart			6,341,721	B1	1/2002	Herald et al.
3,351,242	A	11/1967	Lodding et al.			RE37,634	E	4/2002	Hickman et al.
3,563,426	A	2/1971	Bartilson			6,367,670	B1	4/2002	Warner et al.
D239,600	S	4/1976	Newman			6,460,718	B1	10/2002	Vogel
D239,601	S	4/1976	Newman			6,464,113	B1	10/2002	Vogel
D239,602	S	4/1976	Newman			6,488,187	B2 *	12/2002	Sheffler et al.
D242,129	S	11/1976	Hasegawa et al.			D468,639	S	1/2003	Wennerstrom et al.
D242,130	S	11/1976	Hasegawa et al.			6,510,971	B1	1/2003	Martin
D242,131	S	11/1976	Hasegawa et al.			6,575,323	B1	6/2003	Martin et al.
D242,132	S	11/1976	Hasegawa et al.			D476,892	S	7/2003	Martin et al.
D247,475	S	3/1978	Newman			6,688,501	B2	2/2004	DeGroot et al.
4,106,672	A	8/1978	Tecco et al.			6,691,901	B2 *	2/2004	Parve et al.
D265,060	S *	6/1982	Blank	D9/446		6,830,721	B2	12/2004	Martin
4,457,458	A *	7/1984	Heinol	222/498		6,880,736	B1	4/2005	Gnepper
D276,981	S	1/1985	Cleevely			6,935,543	B2	8/2005	DeGroot et al.
4,494,679	A	1/1985	Cleevely			D509,426	S	9/2005	Samz et al.
D278,602	S	4/1985	Rosenstein			7,007,830	B2	3/2006	Parve et al.
4,611,725	A	9/1986	Kacalieff			7,048,158	B2	5/2006	Hierzer
4,793,501	A *	12/1988	Beck	215/235		7,051,905	B2	5/2006	Hierzer
D306,701	S *	3/1990	Beck	D9/446		D530,202	S	10/2006	Herald et al.
4,936,494	A	6/1990	Weidman			D530,610	S	10/2006	Samz et al.
4,955,513	A	9/1990	Bennett			7,121,438	B2	10/2006	Hopener et al.
4,978,024	A	12/1990	Newman et al.			D532,298	S *	11/2006	Vogel
5,048,730	A	9/1991	Forsyth et al.			7,134,575	B2 *	11/2006	Vogel et al.
5,176,277	A	1/1993	Schuermann			D541,152	S	4/2007	Samz et al.
5,219,100	A *	6/1993	Beck et al.	222/480		D547,184	S	7/2007	Kim et al.
D339,065	S	9/1993	Forsyth et al.			D573,879	S	7/2008	Kett
D340,187	S	10/1993	Forsyth			D580,762	S *	11/2008	Wilson et al.
D340,188	S	10/1993	Forsyth			D582,271	S	12/2008	Vogel
5,289,950	A	3/1994	Gentile			D582,273	S	12/2008	Vogel
5,330,082	A	7/1994	Forsyth			D585,278	S	1/2009	Wilson et al.
5,339,993	A	8/1994	Groya et al.			D585,741	S	2/2009	Wilson et al.
D350,697	S	9/1994	Sidman			D585,742	S *	2/2009	Wilson et al.
5,383,582	A *	1/1995	Baxter et al.	222/548		D585,743	S	2/2009	Wilson et al.
5,392,947	A	2/1995	Gentile			D588,915	S *	3/2009	Lohrman et al.
5,407,087	A	4/1995	Giblin et al.			2003/0071041	A1	4/2003	Vogel
5,460,282	A	10/1995	Giblin et al.			2003/0090036	A1	5/2003	Vogel
D364,810	S *	12/1995	Meisner	D9/446		2003/0116879	A1 *	6/2003	Mueller et al.
5,499,736	A	3/1996	Kohl			2003/0209511	A1	11/2003	Guyot
5,509,582	A	4/1996	Robbins, III			2004/0089678	A1	5/2004	Martin
5,566,850	A	10/1996	Forsyth et al.			2004/0226950	A1	11/2004	Samz et al.
5,642,824	A	7/1997	Hess, III et al.			2005/0150889	A1 *	7/2005	Perra
D385,791	S	11/1997	Forsyth et al.			2006/0237388	A1	10/2006	Kick
D399,744	S *	10/1998	Gross	D9/447		2007/0068977	A1	3/2007	Vogel et al.
5,868,323	A	2/1999	Cantor			2007/0228079	A1	10/2007	Vogel et al.
5,873,494	A	2/1999	Dallas, Jr.			2008/0087690	A1	4/2008	Parve
5,971,231	A	10/1999	Samz et al.			2008/0257918	A1	10/2008	Vogel et al.
6,164,503	A	12/2000	Forsyth et al.			2009/0101646	A1 *	4/2009	Paul et al.
D436,040	S	1/2001	Warner et al.						

* cited by examiner

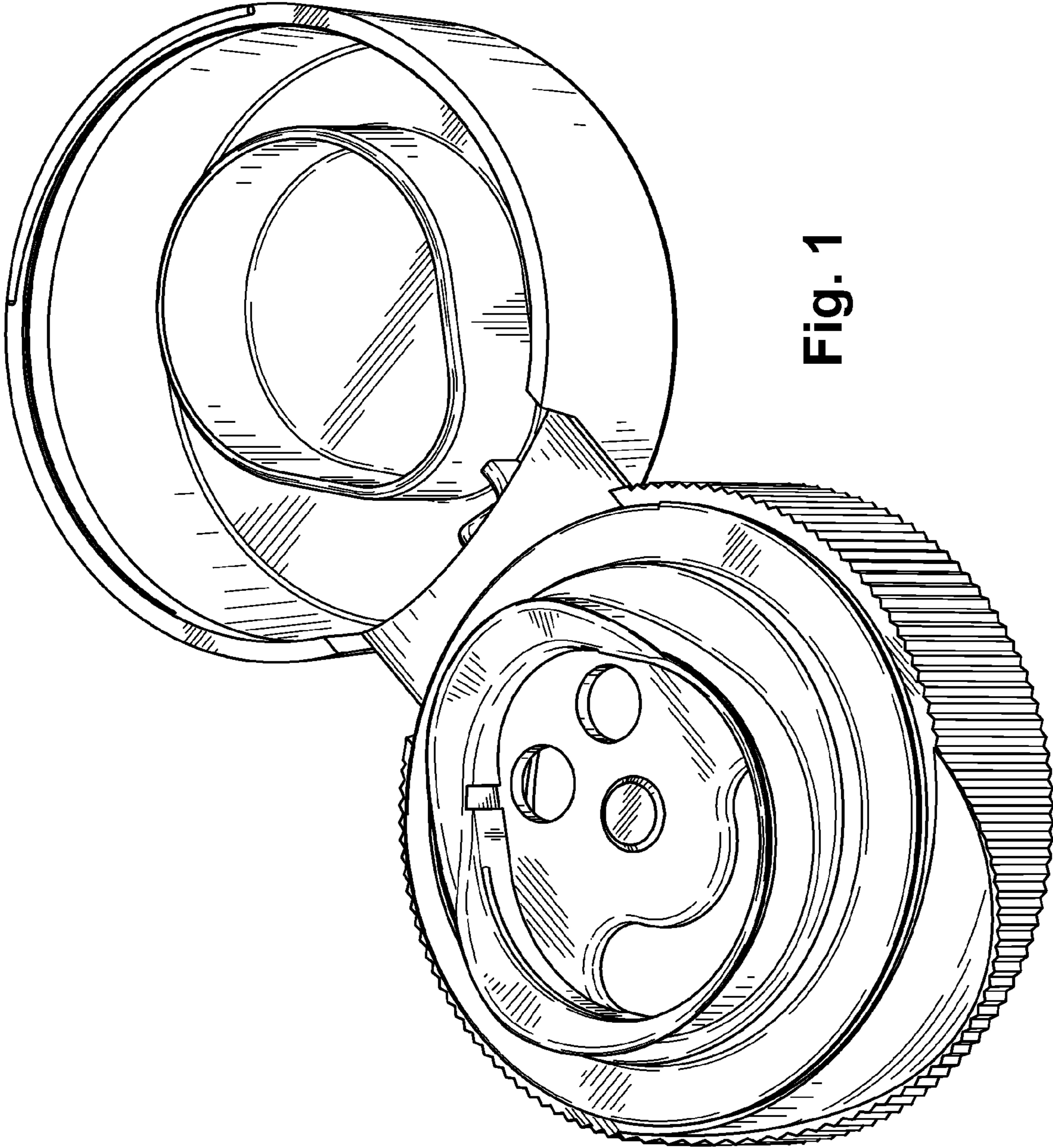


Fig. 1

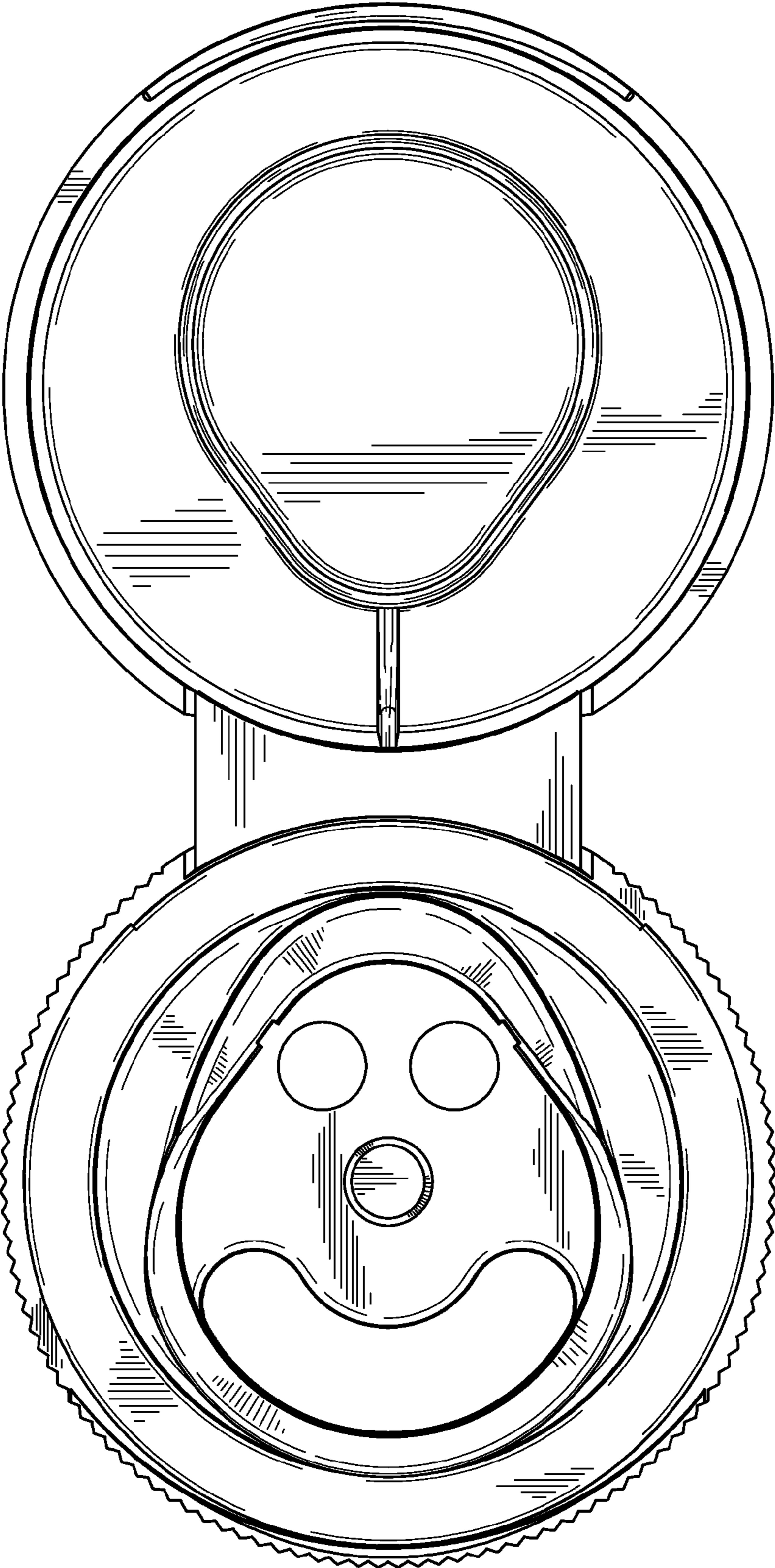


Fig. 2

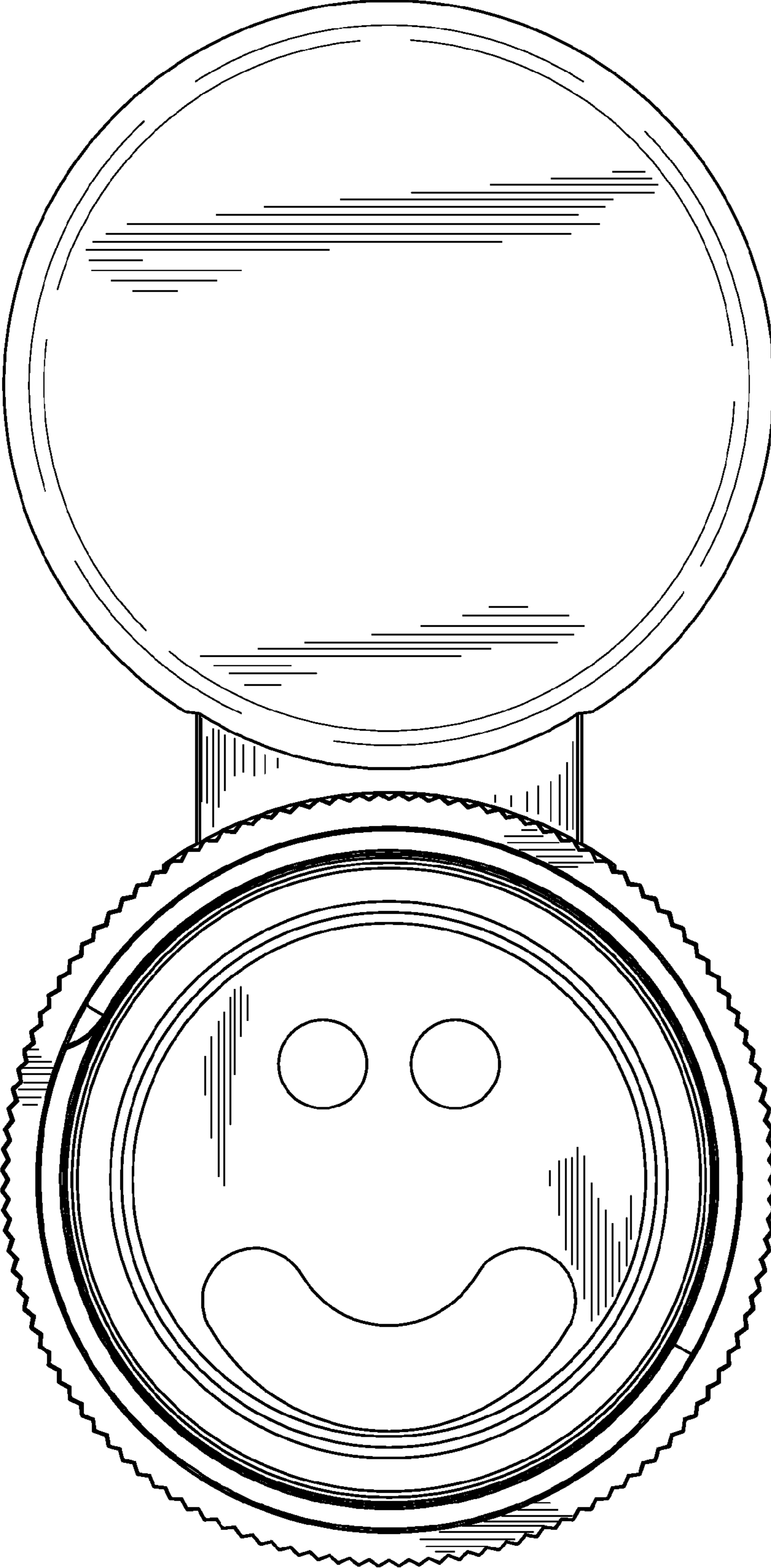


Fig. 3

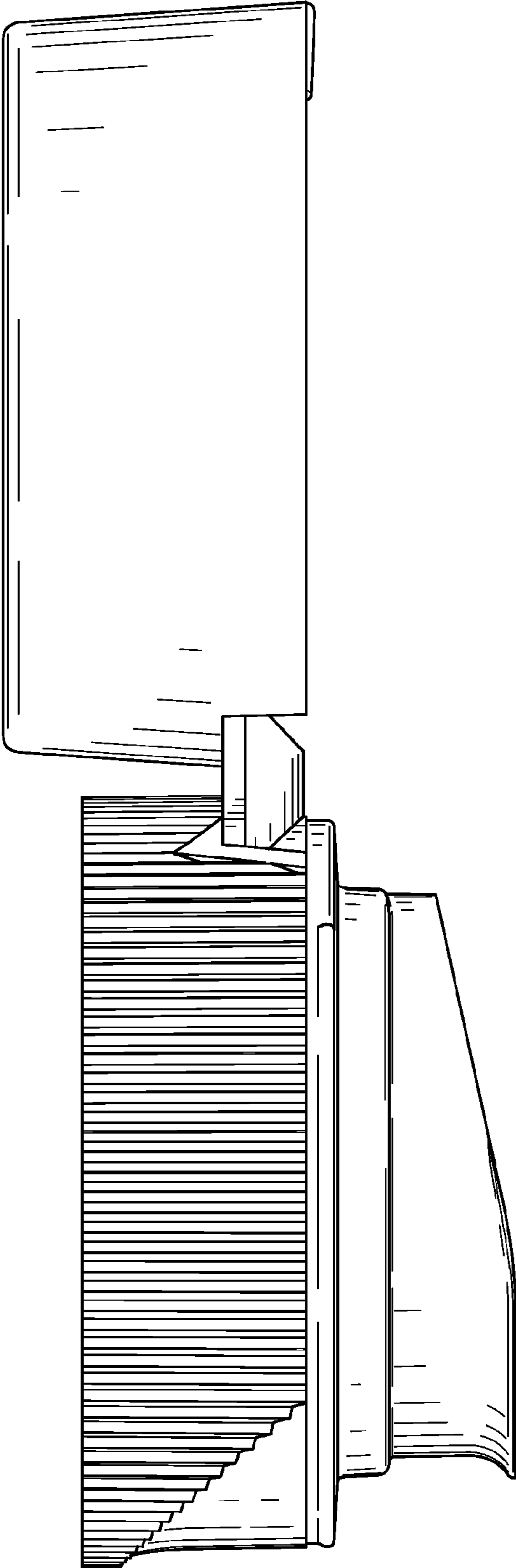


Fig. 4

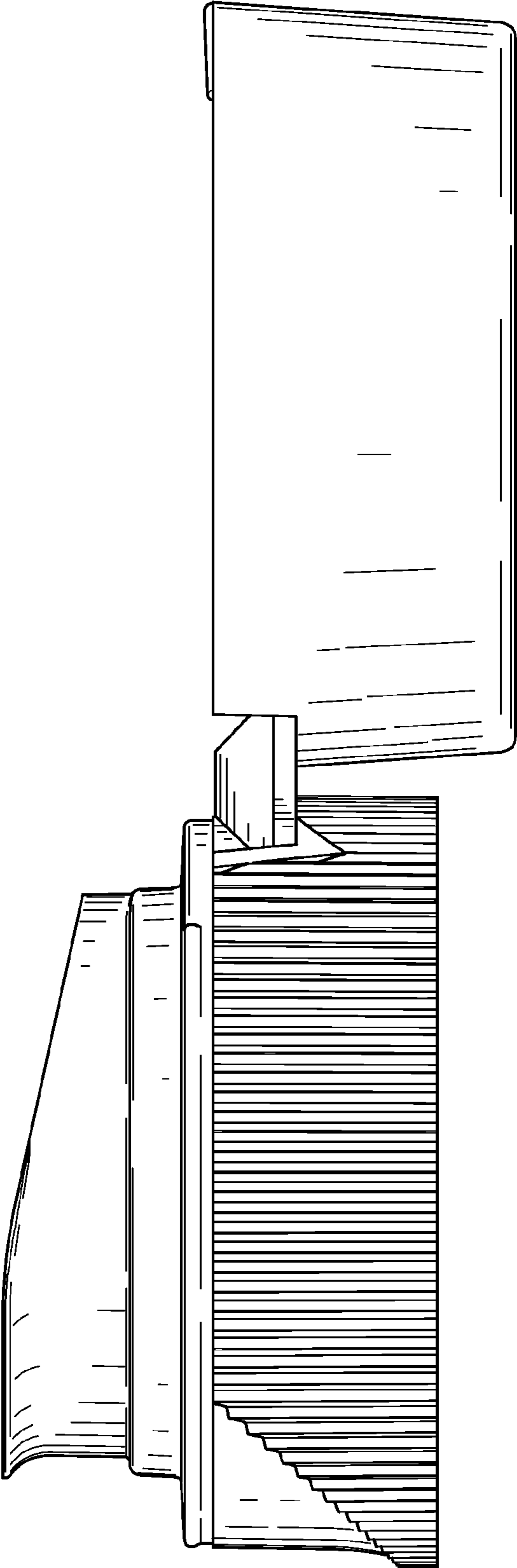


Fig. 5

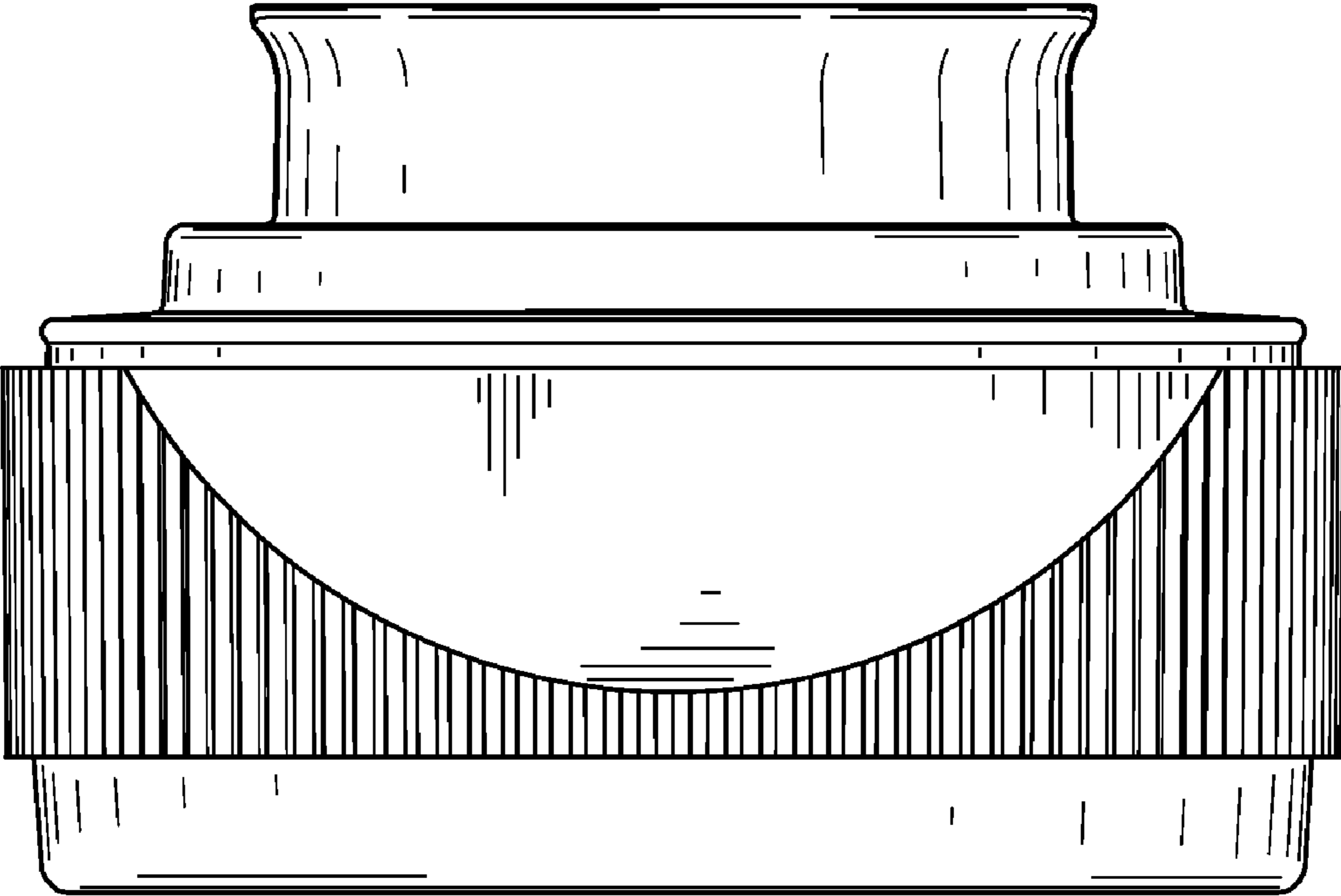


Fig. 6

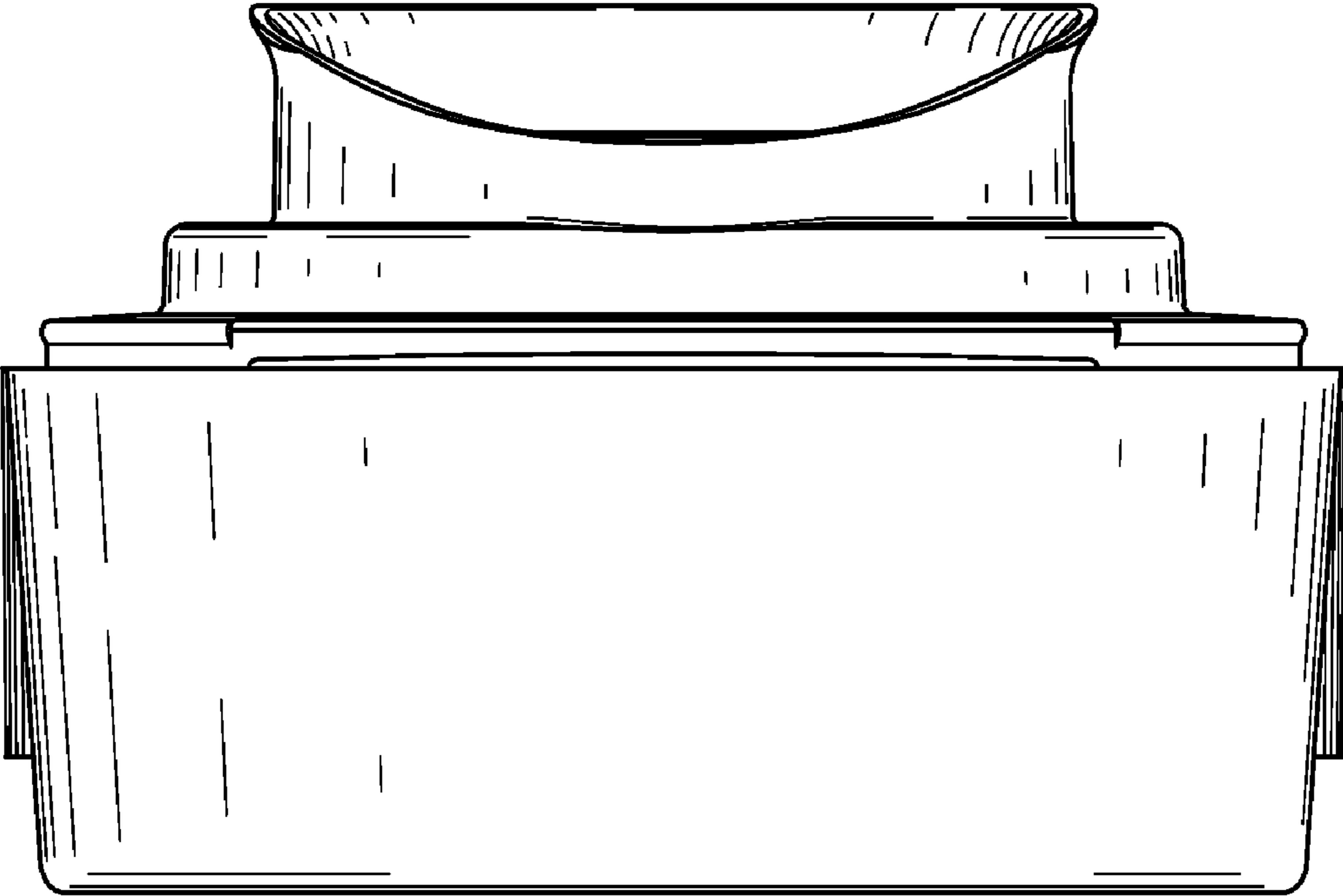


Fig. 7

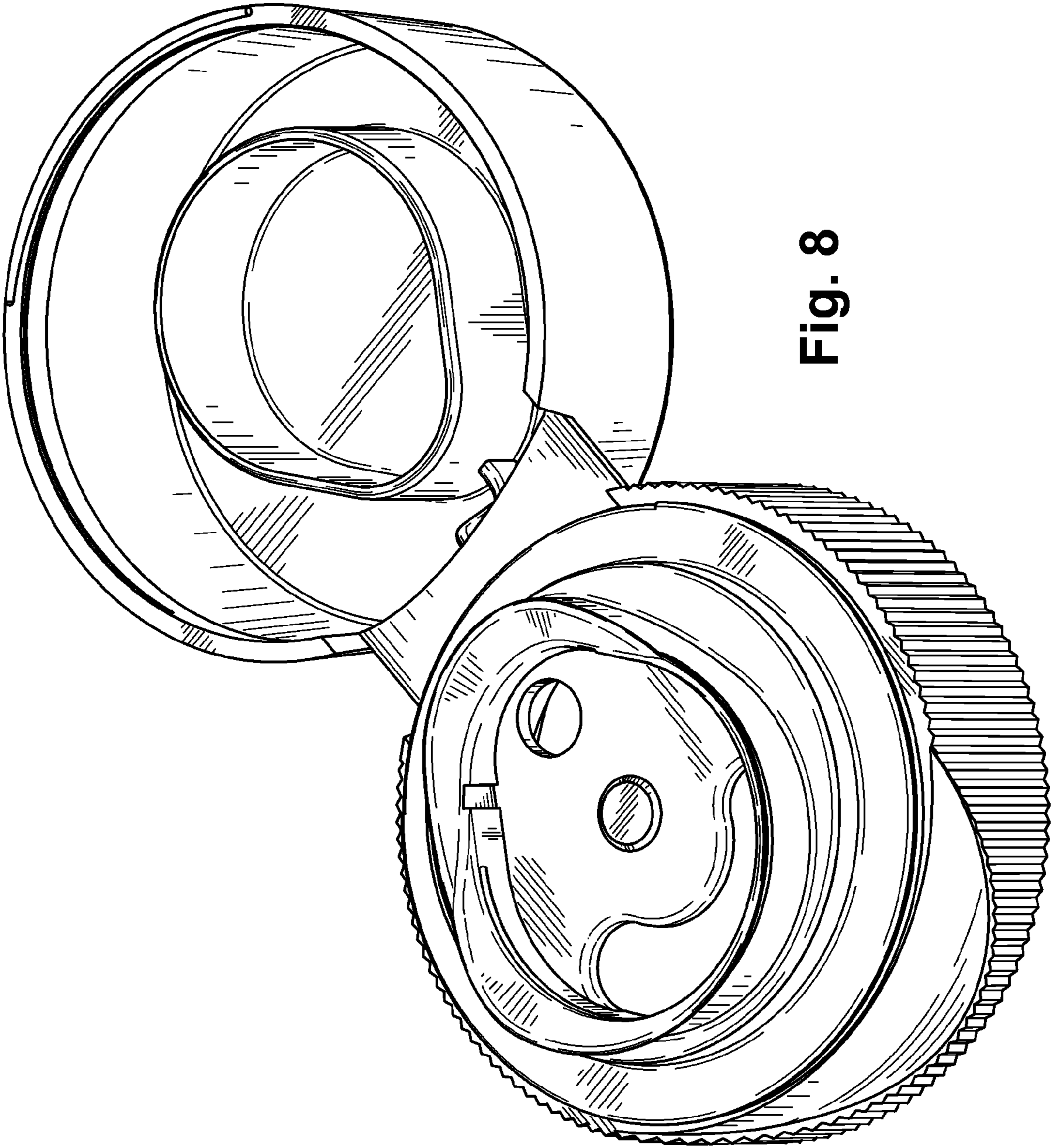


Fig. 8

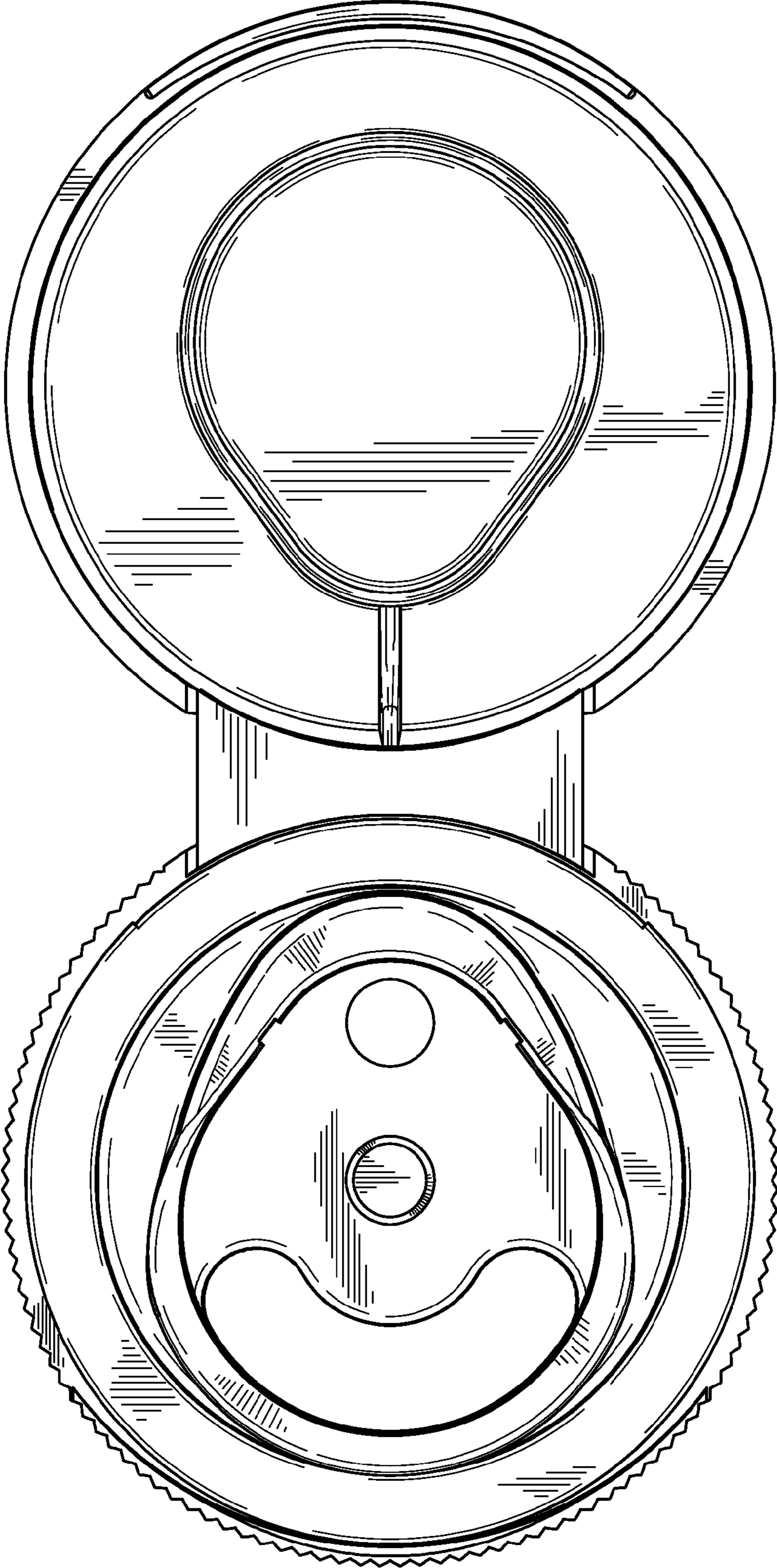


Fig. 9

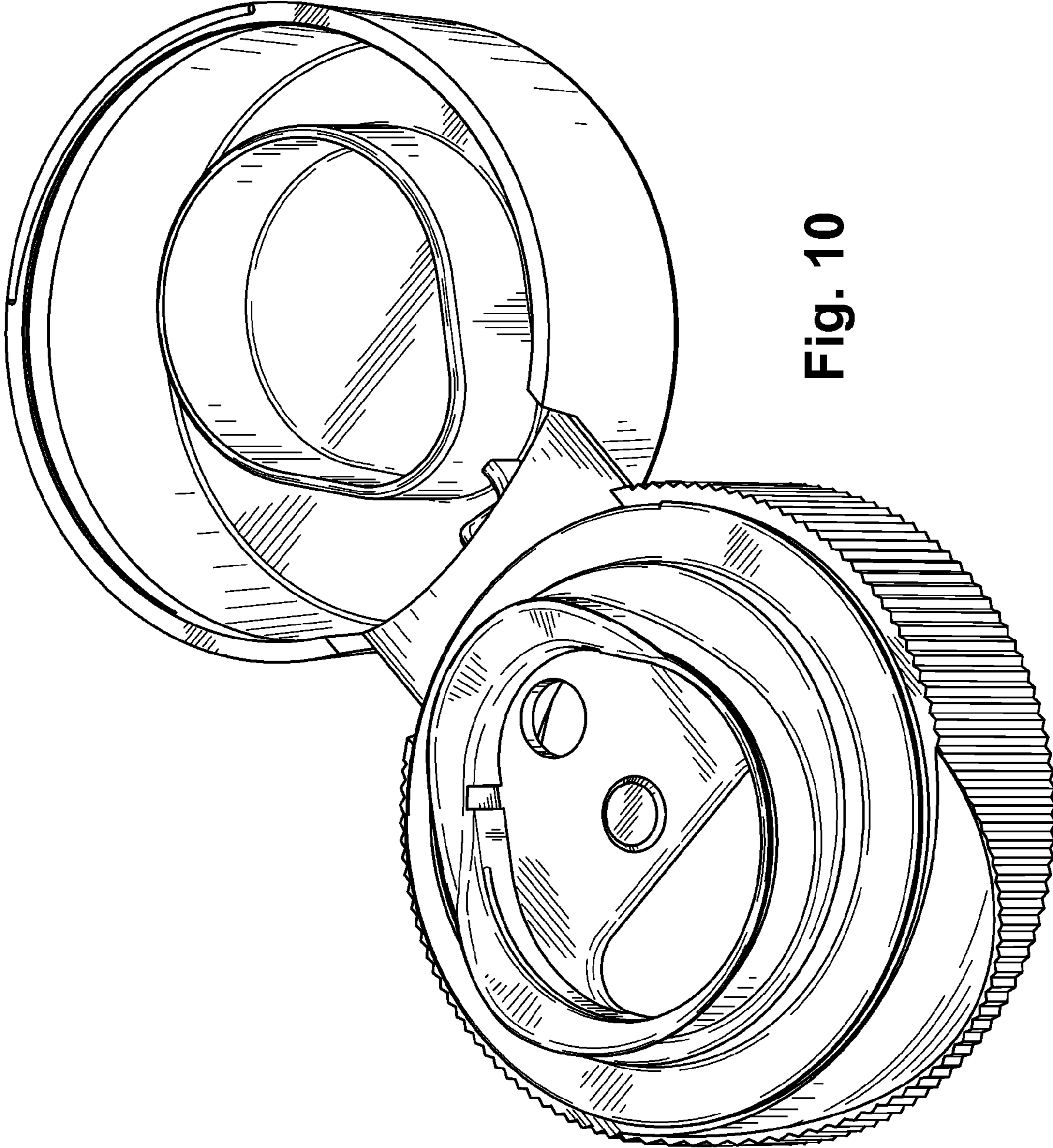


Fig. 10

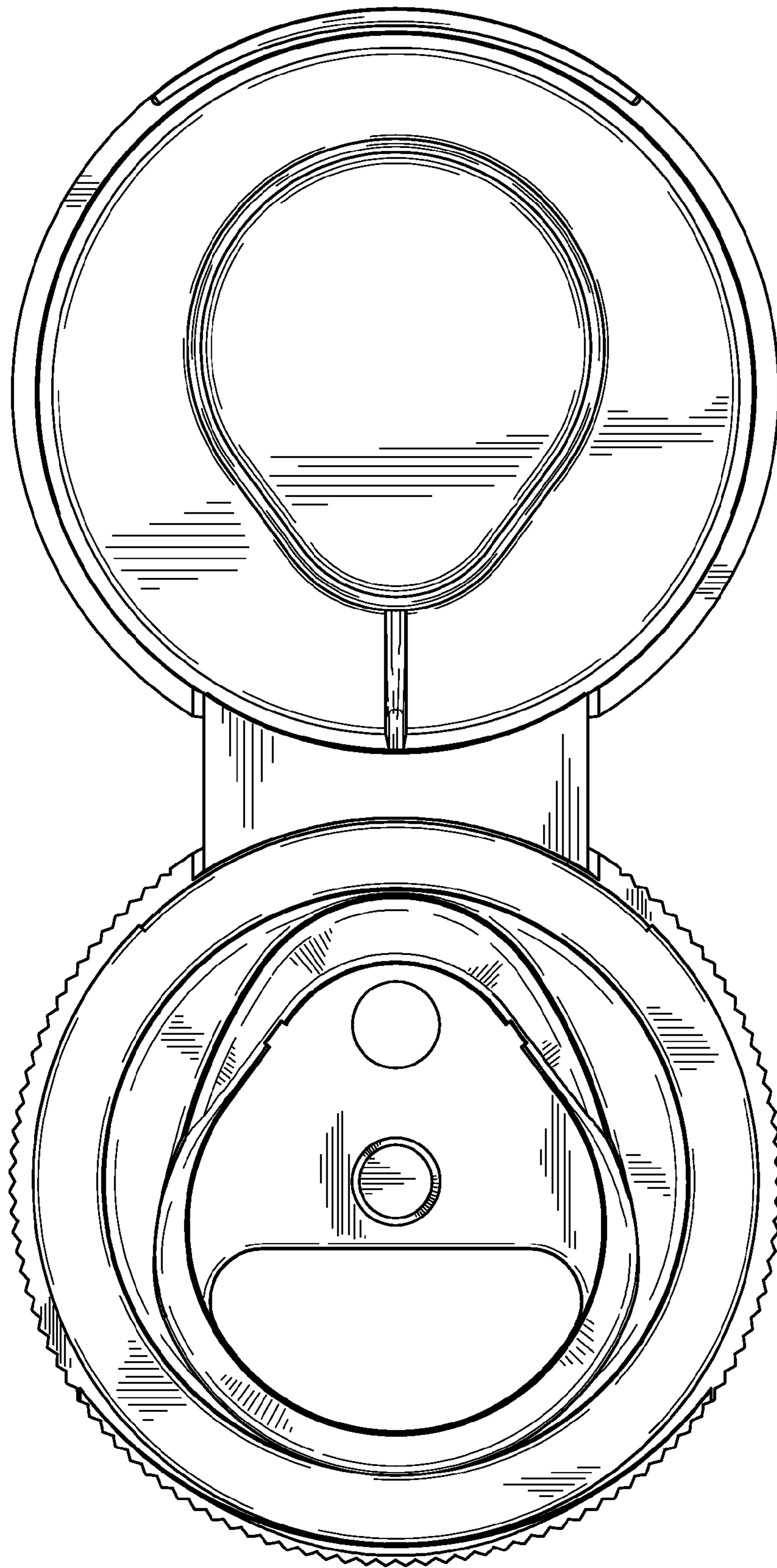


Fig. 11

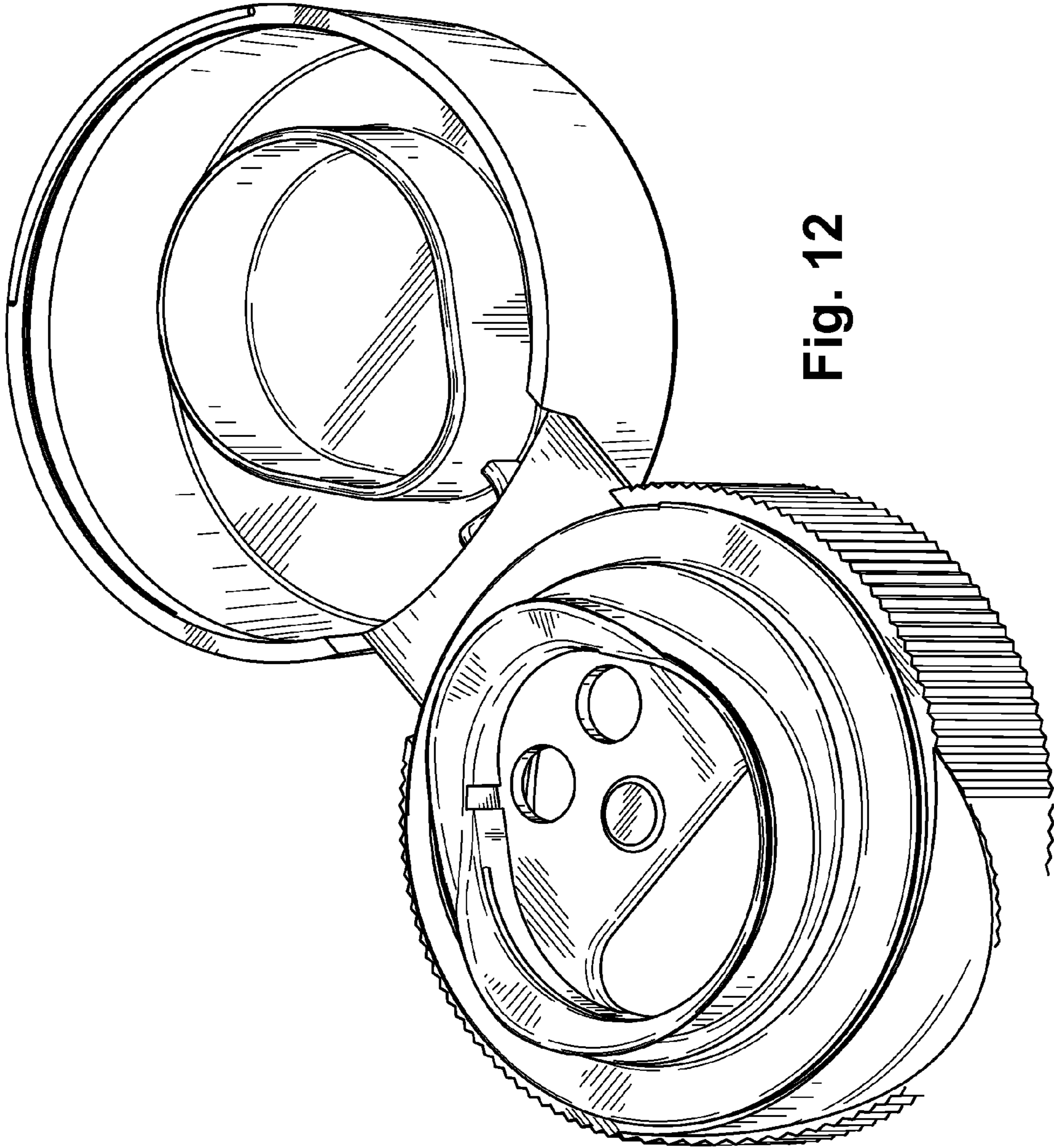


Fig. 12

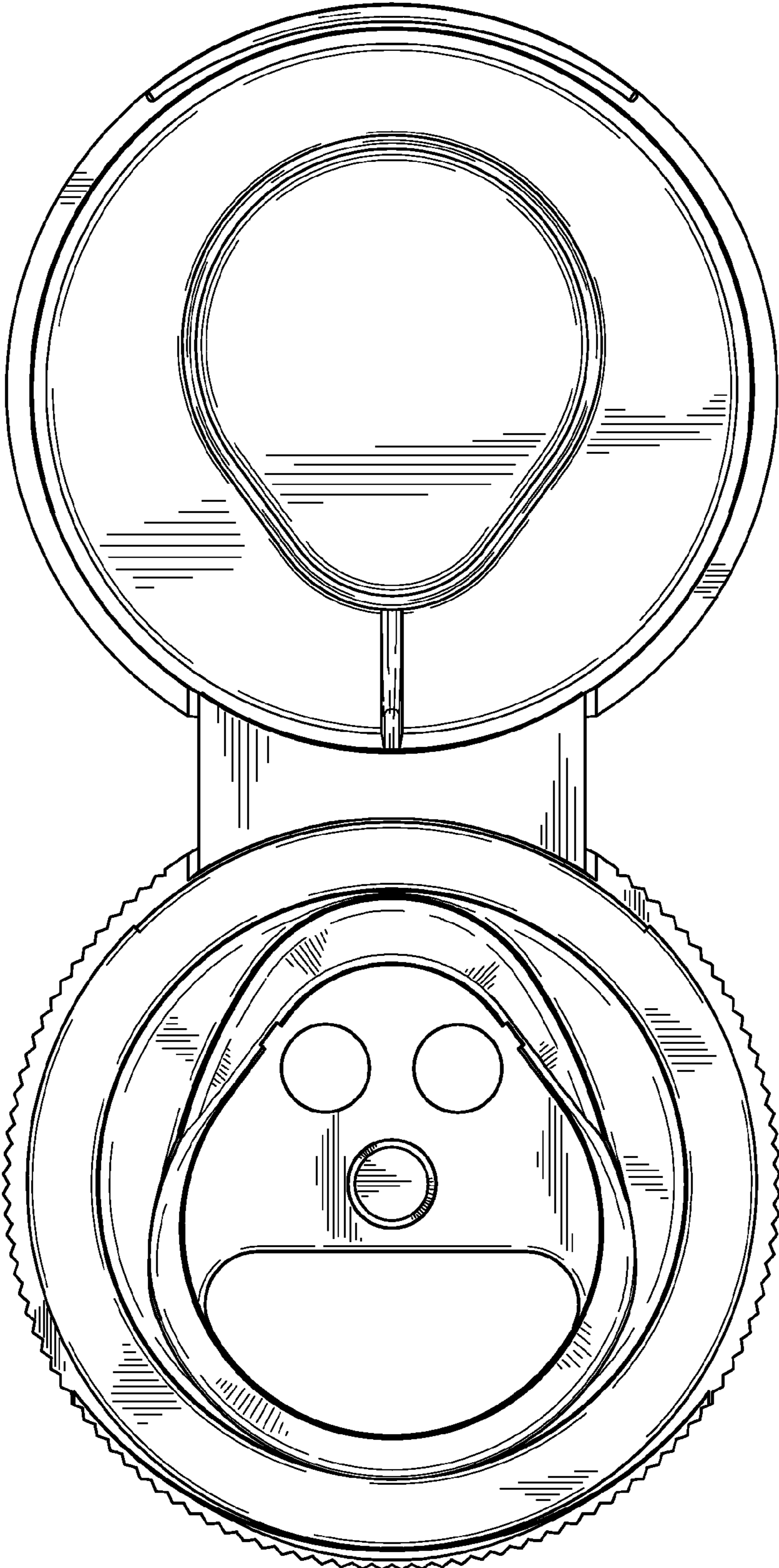


Fig. 13