



US00D614487S

(12) **United States Design Patent**
Beam et al.

(10) **Patent No.:** **US D614,487 S**
(45) **Date of Patent:** **** Apr. 27, 2010**

(54) **CONTAINER CAP**

(75) Inventors: **Erin Melcher Beam**, Califon, NJ (US);
Stephen Wahl, San Francisco, CA (US);
Opher Doron Yom Tov, San Francisco,
CA (US); **Alan Regala**, Mountain View,
CA (US); **Stephen Kim**, San Francisco,
CA (US); **Jonah Houston**, Palo Alto,
CA (US); **William Cesarotti**, Palo Alto,
CA (US); **Emily Ma**, Mountain View,
CA (US)

(73) Assignee: **McNeil-PPC, Inc.**, Skillman, NJ (US)

(**) Term: **14 Years**

(21) Appl. No.: **29/321,908**

(22) Filed: **Jul. 25, 2008**

Related U.S. Application Data

(62) Division of application No. 29/275,224, filed on Dec.
18, 2006, now Pat. No. Des. 592,972.

(51) **LOC (9) Cl.** **09-07**

(52) **U.S. Cl.** **D9/435**

(58) **Field of Classification Search** D9/435,
D9/446, 529, 453, 443, 439-440, 449, 516,
D9/545, 571-574, 686, 689-694; 215/316,
215/329, 252, 216, 218; D28/76; 220/675;
D12/197

See application file for complete search history.

(56) **References Cited**

U.S. PATENT DOCUMENTS

D274,848 S * 7/1984 Chevassus D28/76

D317,869 S * 7/1991 Kipperman et al. D9/446
D373,728 S * 9/1996 Moore D9/448
D426,770 S * 6/2000 Crawford D9/727
D489,258 S * 5/2004 Hollmann et al. D9/444
D534,426 S * 1/2007 Bakic D9/449
D582,766 S * 12/2008 Gatrost et al. D9/435
D588,913 S * 3/2009 Bakic D9/435
D594,747 S * 6/2009 Moretti D9/449
D605,512 S * 12/2009 Weber D9/449

* cited by examiner

Primary Examiner—Caron Veynar

Assistant Examiner—Abraham Bahta

(74) *Attorney, Agent, or Firm*—Karen G. Horowitz

(57) **CLAIM**

The ornamental design for a container cap, as shown and
described.

DESCRIPTION

FIG. 1 is a perspective view of a container cap showing our
new design;

FIG. 2 is a side elevational view thereof;

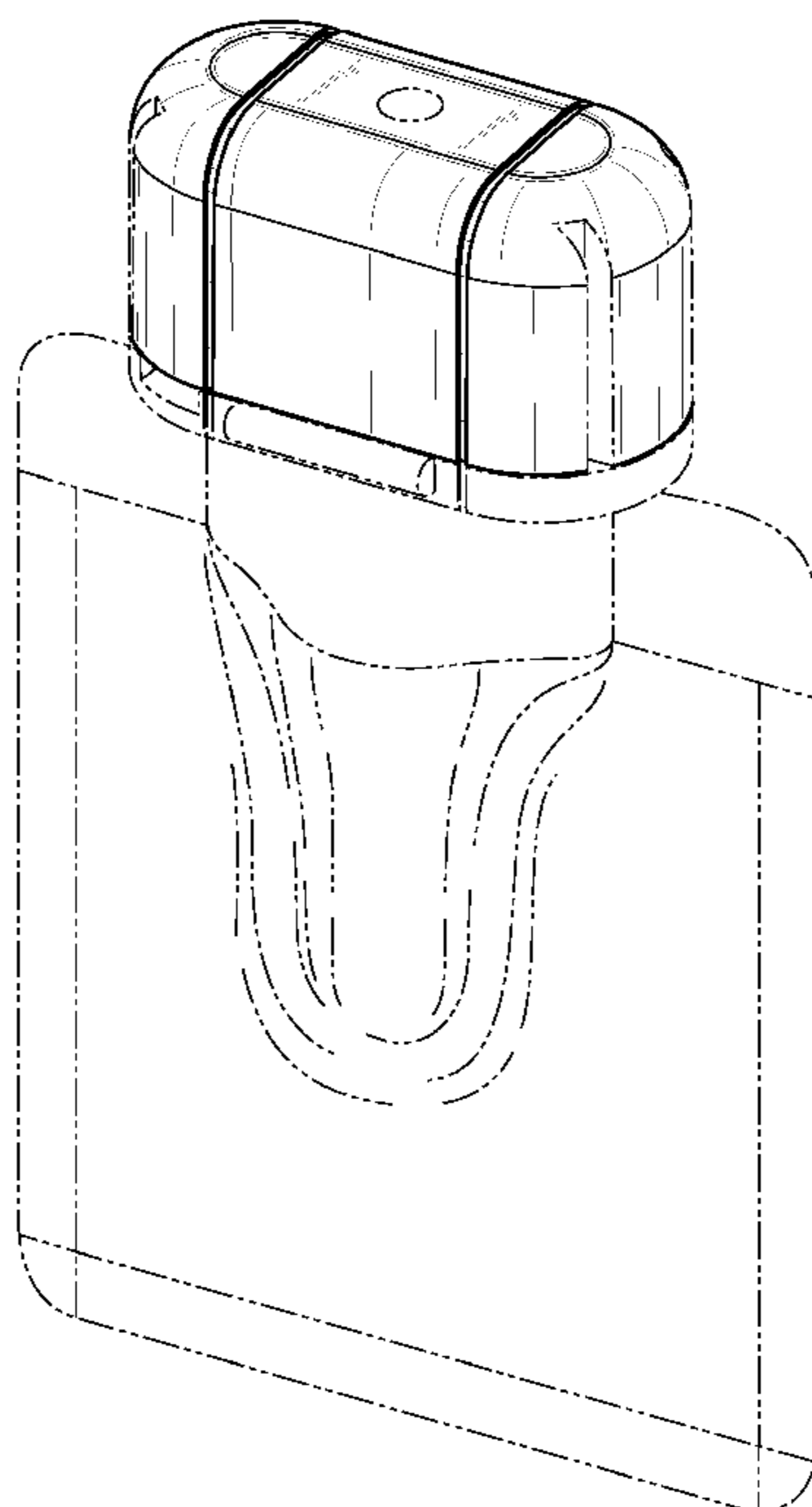
FIG. 3 is a front elevational view thereof;

FIG. 4 is a back elevational view thereof; and,

FIG. 5 is a top plan view thereof.

The broken lines in the drawings are included for the purpose
of illustrating features of the cap that form no part of the
claimed design and also for illustrating an exemplary con-
tainer on which the claim cap may be provided but which
container forms no part of the claimed design. The bottom
side is plain and unornamented and thus has not been illus-
trated or claimed.

1 Claim, 5 Drawing Sheets



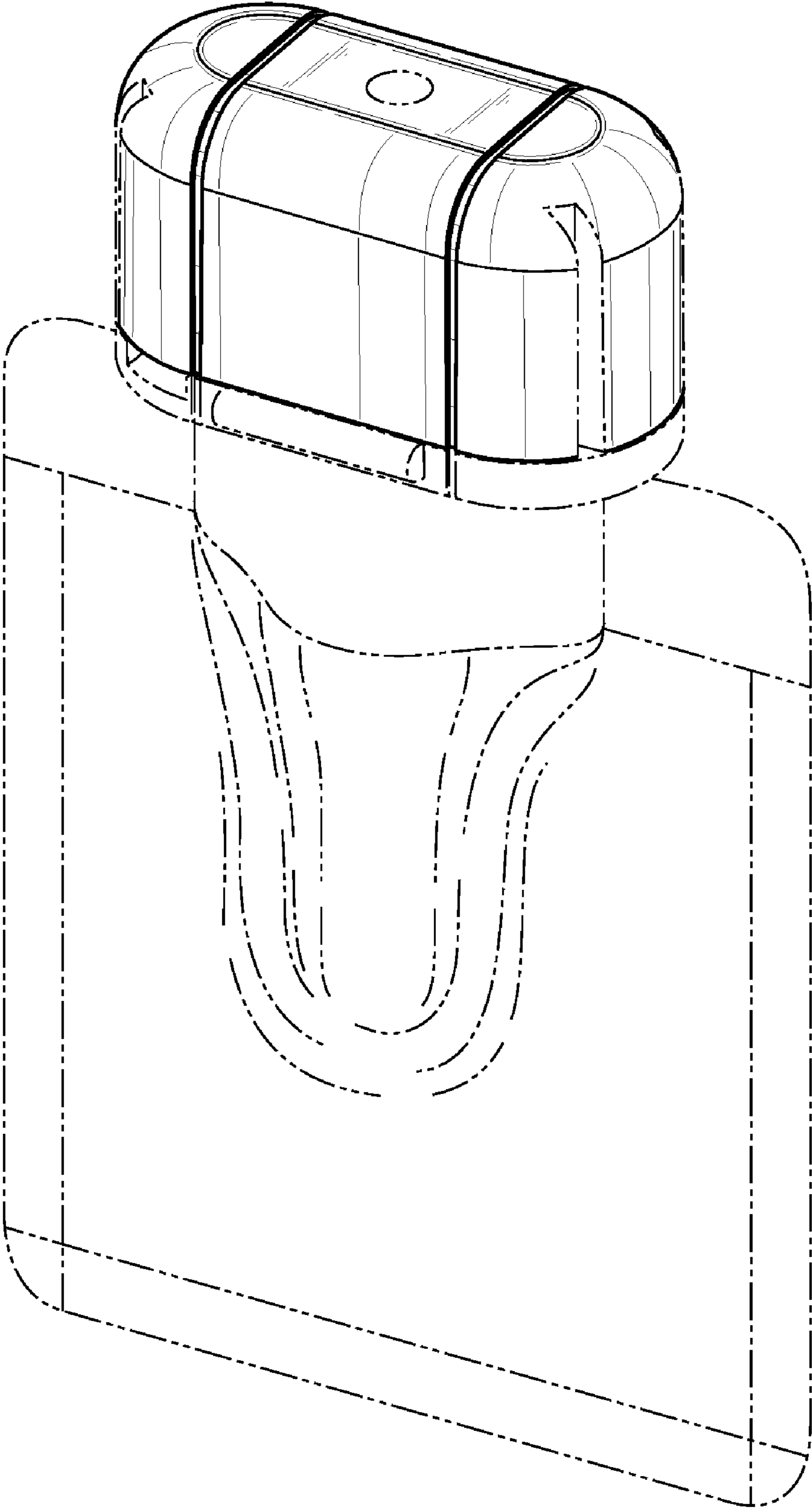


Fig. 1

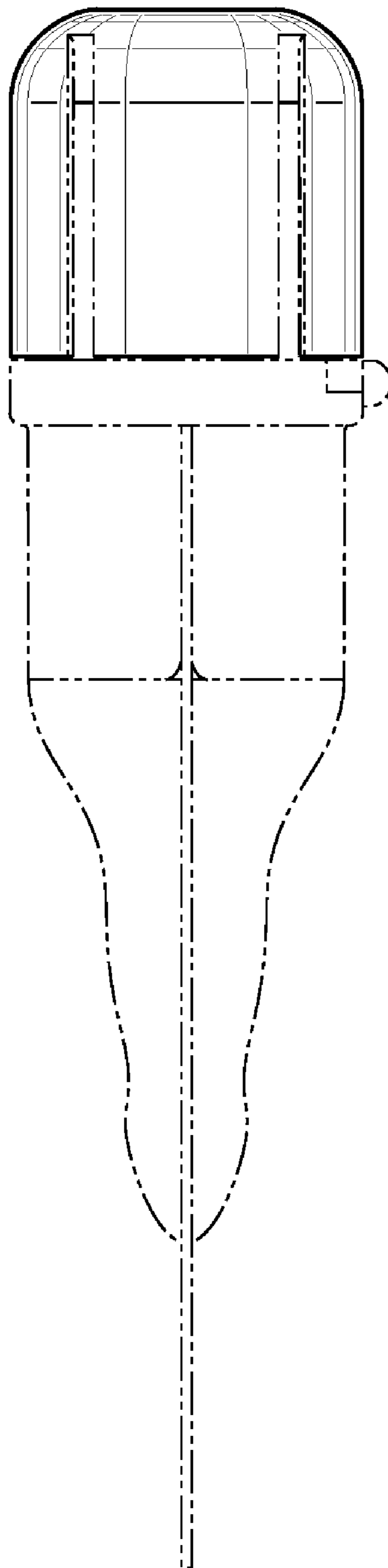


Fig. 2

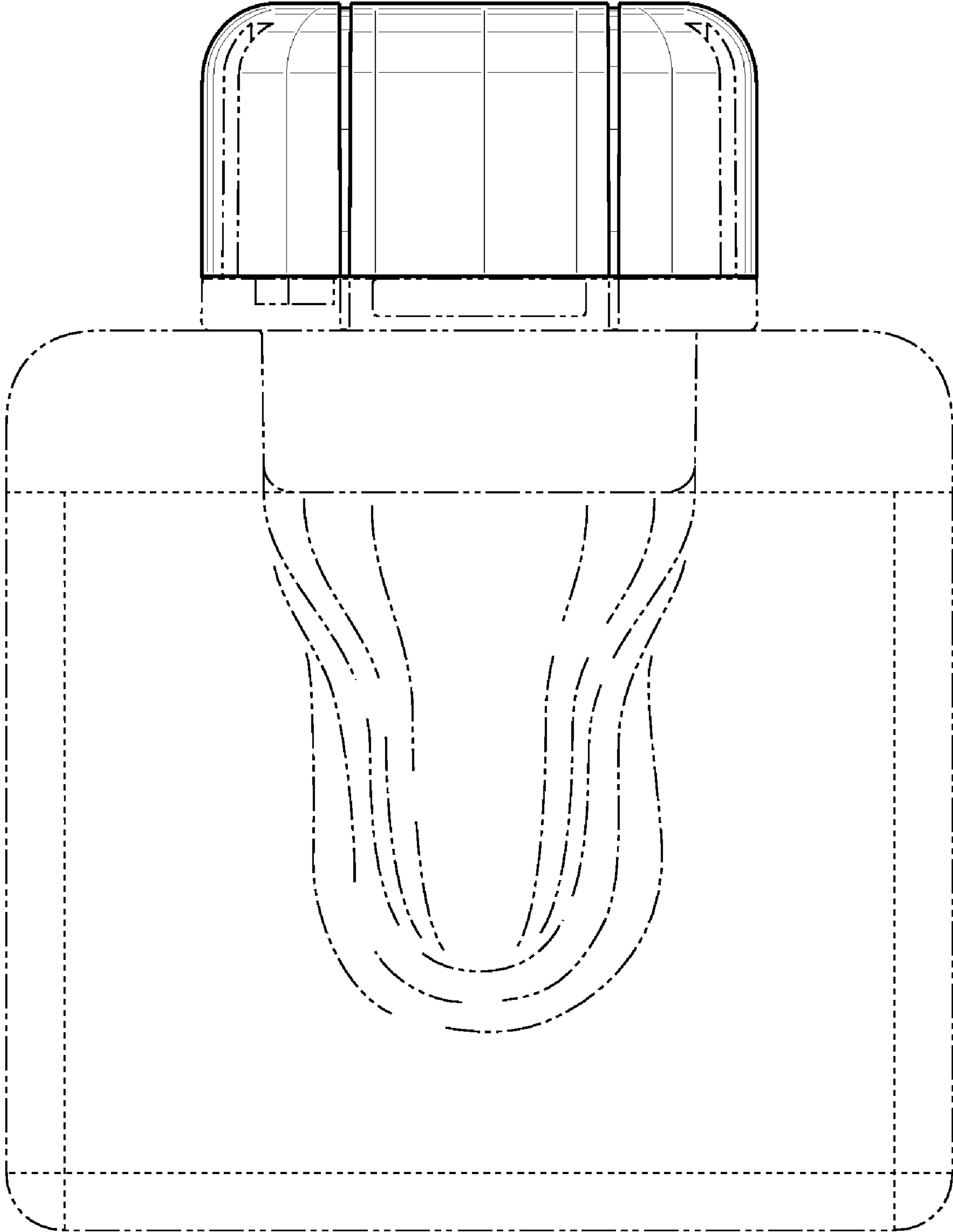


Fig. 3

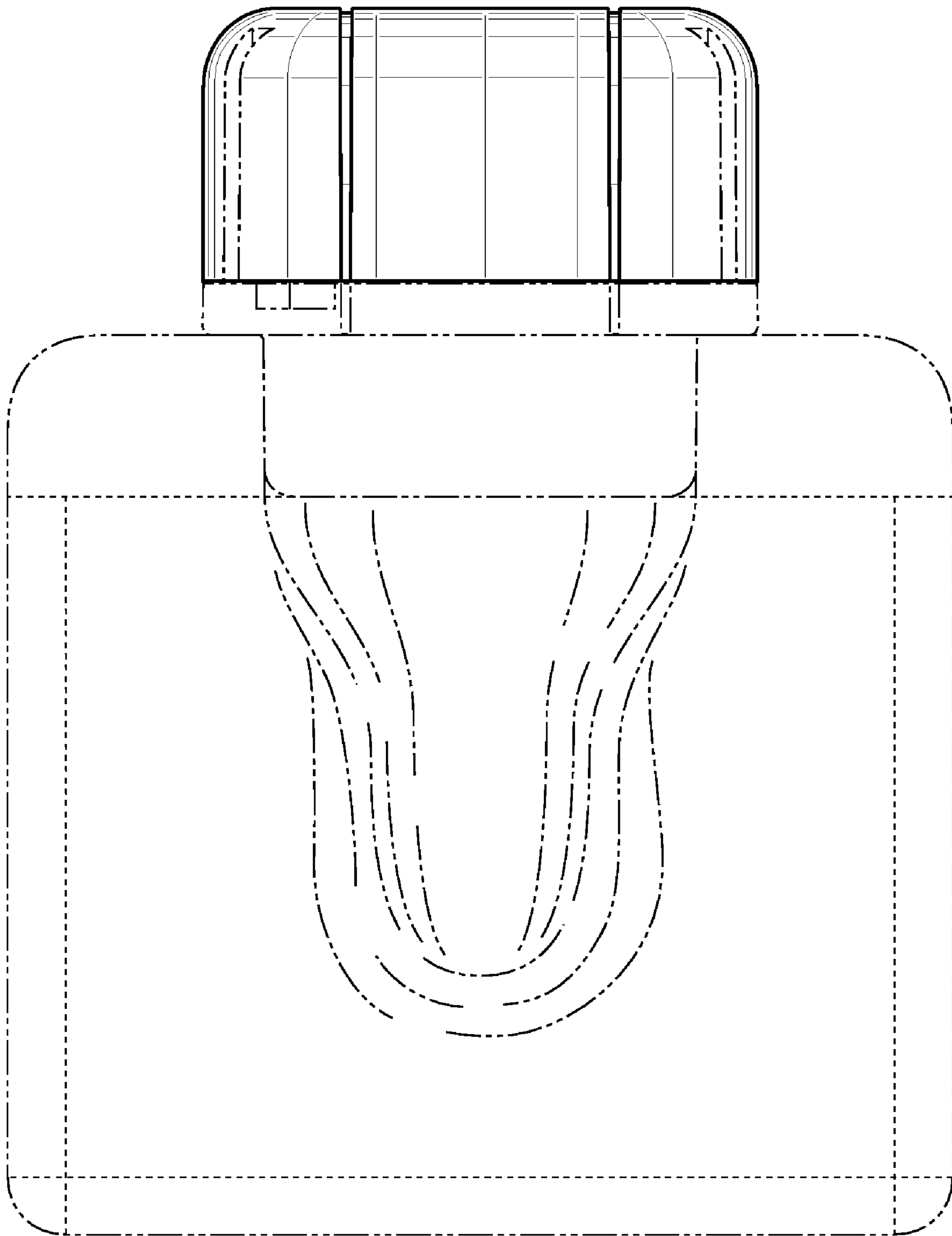


Fig. 4

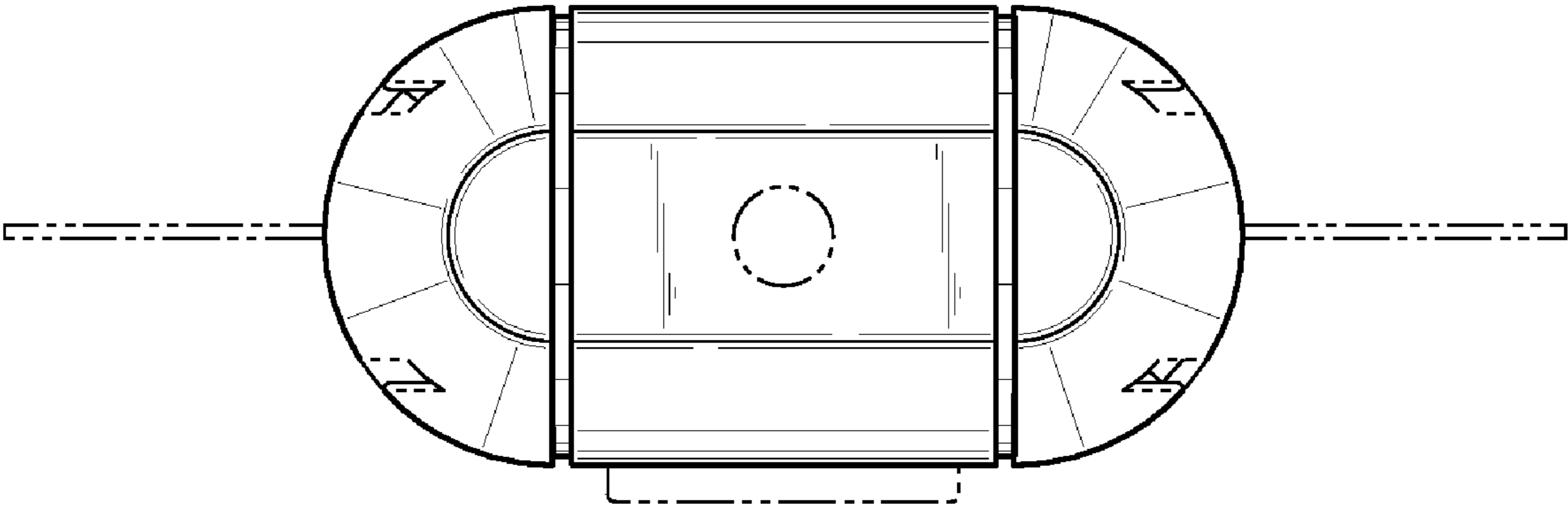


Fig. 5