



US00D614484S

(12) **United States Design Patent**  
**Schantz**

(10) **Patent No.:** **US D614,484 S**  
(45) **Date of Patent:** **\*\* Apr. 27, 2010**

- (54) **BOX FOR A PAIR OF BELTS**
- (75) Inventor: **Amanda Schantz**, Chicago, IL (US)
- (73) Assignee: **Randa Accessories Leather Goods, LLC**, New York, NY (US)
- (\*\*) Term: **14 Years**
- (21) Appl. No.: **29/353,224**
- (22) Filed: **Jan. 5, 2010**

- D227,351 S 6/1973 Winton
- 3,865,233 A 2/1975 Hamlin
- 4,320,829 A 3/1982 DiMarzio et al.
- 4,415,078 A 11/1983 Hart
- 4,802,577 A 2/1989 O'Leary
- 4,925,088 A 5/1990 Ostrander
- D309,262 S 7/1990 Coiner
- D314,914 S 2/1991 Callinan
- 5,058,733 A 10/1991 Lowe
- 5,058,740 A 10/1991 Coursen
- D337,269 S 7/1993 Grieco
- D359,233 S 6/1995 Verhagen
- D360,131 S 7/1995 Tudor
- 5,447,230 A 9/1995 Gerondale
- D365,517 S 12/1995 Bedford et al.
- D387,983 S 12/1997 Lanoie
- 5,813,523 A 9/1998 Gnadt et al.
- D412,114 S 7/1999 Hansen

**Related U.S. Application Data**

- (62) Division of application No. 29/343,180, filed on Sep. 9, 2009, now Pat. No. Des. 610,000.

- (51) **LOC (9) Cl.** ..... **09-03**
- (52) **U.S. Cl.** ..... **D9/418; D9/416**
- (58) **Field of Classification Search** ..... D9/414, D9/416, 418, 432, 721, 756; D3/302; 206/564, 206/565, 292, 278, 294, 756, 763, 770, 319, 206/457, 775-781; 229/116.1, 162, 167, 229/170, 179

See application file for complete search history.

(56) **References Cited**

**U.S. PATENT DOCUMENTS**

- 1,463,948 A 8/1923 Geimer
- 1,697,880 A 1/1929 Peter
- 2,034,809 A 3/1936 Grant
- 2,162,089 A 6/1939 Kagen
- 2,290,104 A 7/1942 Larson
- 2,442,979 A 6/1948 Larson
- 2,464,951 A 3/1949 Stengren
- 2,576,070 A 11/1951 Howard
- 2,681,174 A 6/1954 Bergstein
- 2,700,456 A 1/1955 Gillam
- 2,767,831 A 10/1956 Brecht
- 2,806,590 A 9/1957 Larson
- 2,847,117 A 8/1958 Vuillemenot
- D190,772 S 6/1961 Cuyler
- 3,033,357 A 5/1962 Vogel
- 3,044,605 A 7/1962 Clement
- 3,057,466 A 10/1962 Blonder et al.

(Continued)

*Primary Examiner*—Mark A Goodwin  
(74) *Attorney, Agent, or Firm*—Caesar, Rivise, Bernstein, Cohen & Pokotilow, Ltd.

(57) **CLAIM**

The ornamental design for the box for a pair of belts, as shown and described.

**DESCRIPTION**

FIG. 1 is an isometric view of a box for a pair of belts showing my new design;

FIG. 2 is a front elevation view thereof;

FIG. 3 is a left side elevation view thereof;

FIG. 4 is a rear elevation view thereof;

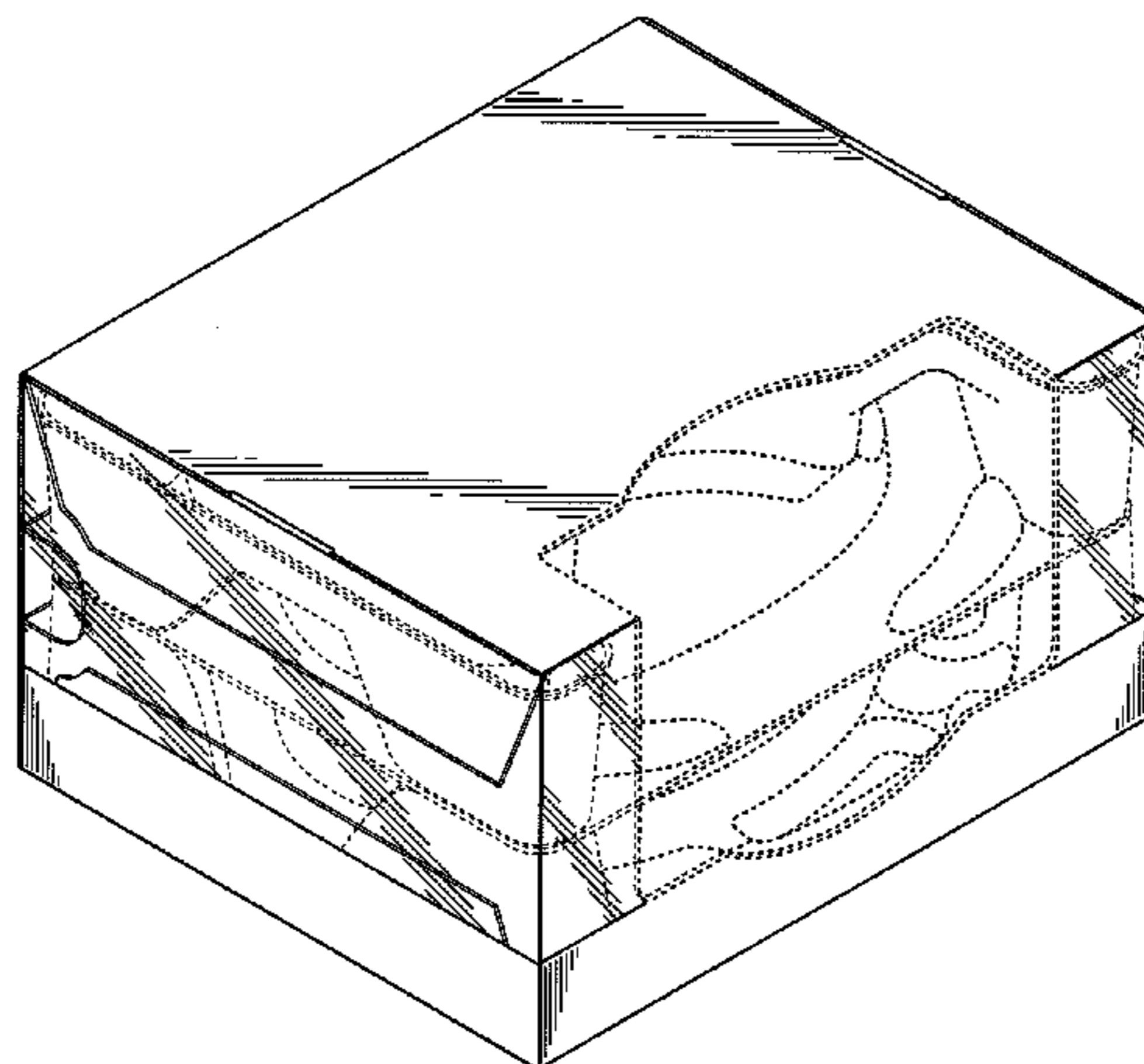
FIG. 5 is a right side elevation view thereof;

FIG. 6 is a top plan view thereof; and,

FIG. 7 is a bottom plan view thereof.

The dashed lines shown in the figures represent environmental subject matter and form no part of the claimed design.

**1 Claim, 3 Drawing Sheets**



# US D614,484 S

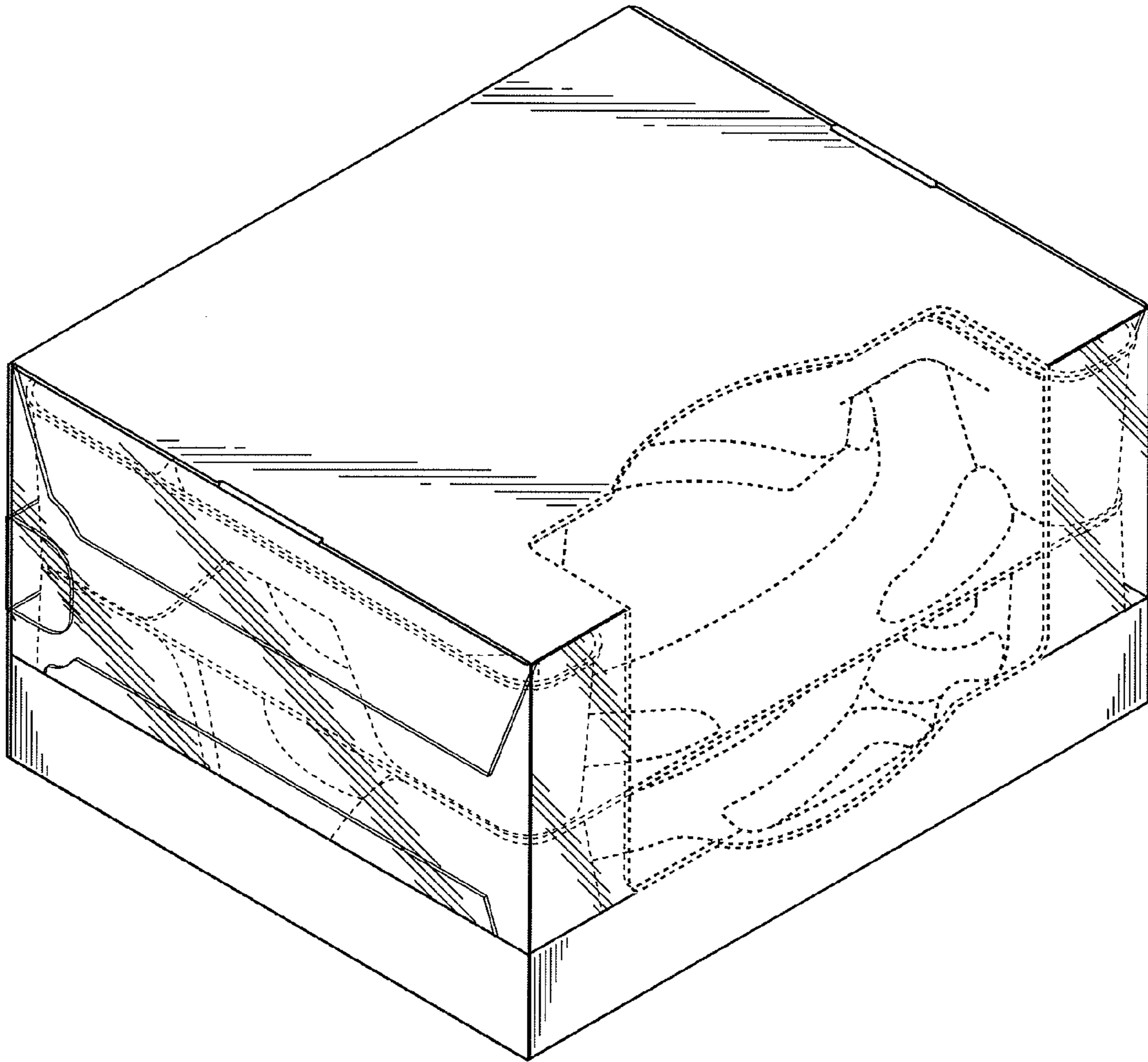
Page 2

---

## U.S. PATENT DOCUMENTS

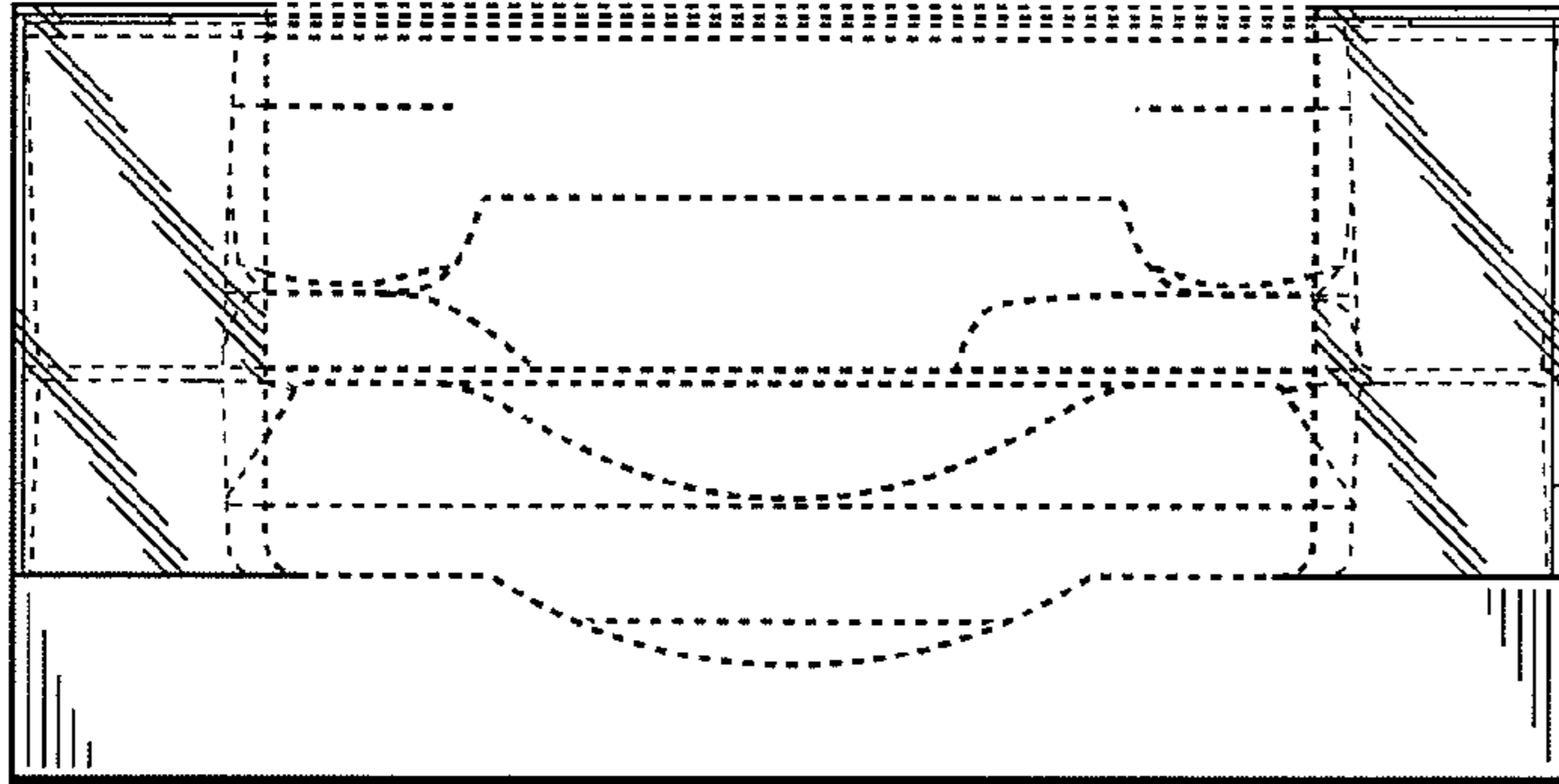
D419,440 S	1/2000	Hansen	D497,804 S	11/2004	Hetzel et al.
D422,498 S	4/2000	Froehlich et al.	7,000,775 B2	2/2006	Gelardi et al.
D423,346 S	4/2000	Froehlich et al.	D518,291 S	4/2006	Zou et al.
D436,313 S	1/2001	Joshua et al.	D534,419 S	1/2007	Hermkens et al.
D438,378 S	3/2001	Charness	D563,218 S	3/2008	DeMalsche et al.
D441,647 S	5/2001	Humphrey	7,392,900 B2	7/2008	Semel
D446,113 S	8/2001	Steinfels	D577,286 S	9/2008	Sheppard et al.
D449,523 S	10/2001	Kaplan	D600,110 S	9/2009	Cain
6,360,867 B1	3/2002	Ford	D600,547 S	9/2009	Cain
D455,552 S	4/2002	Charness	D604,602 S	11/2009	Kohno
6,460,703 B1	10/2002	Thompson et al.	7,637,372 B2	12/2009	Keel et al.
D466,406 S	12/2002	Solland	D610,000 S *	2/2010	Schantz ..... D9/418
			2005/0023335 A1	2/2005	Rasmussen et al.

\* cited by examiner

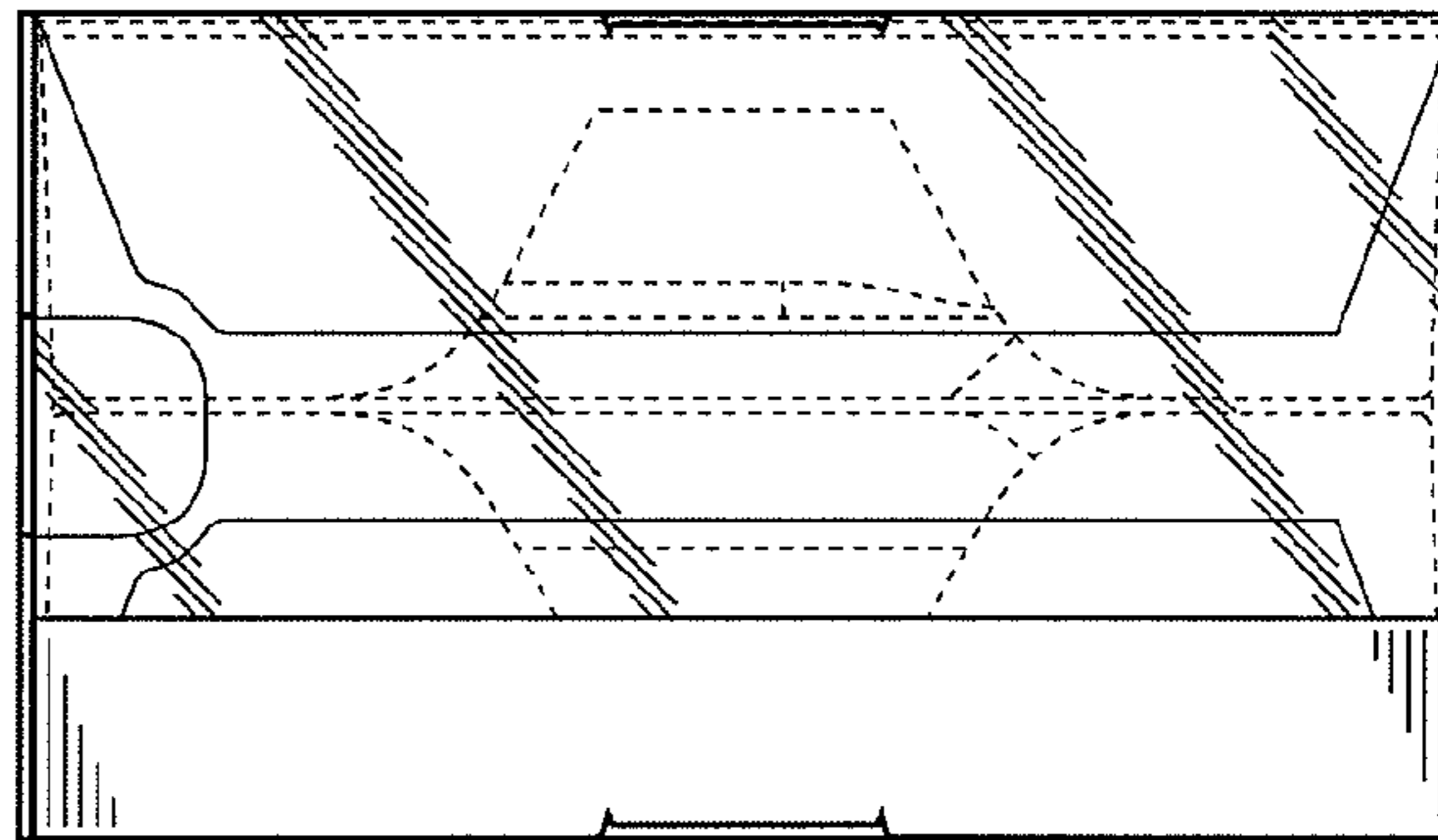


**FIG. 1**

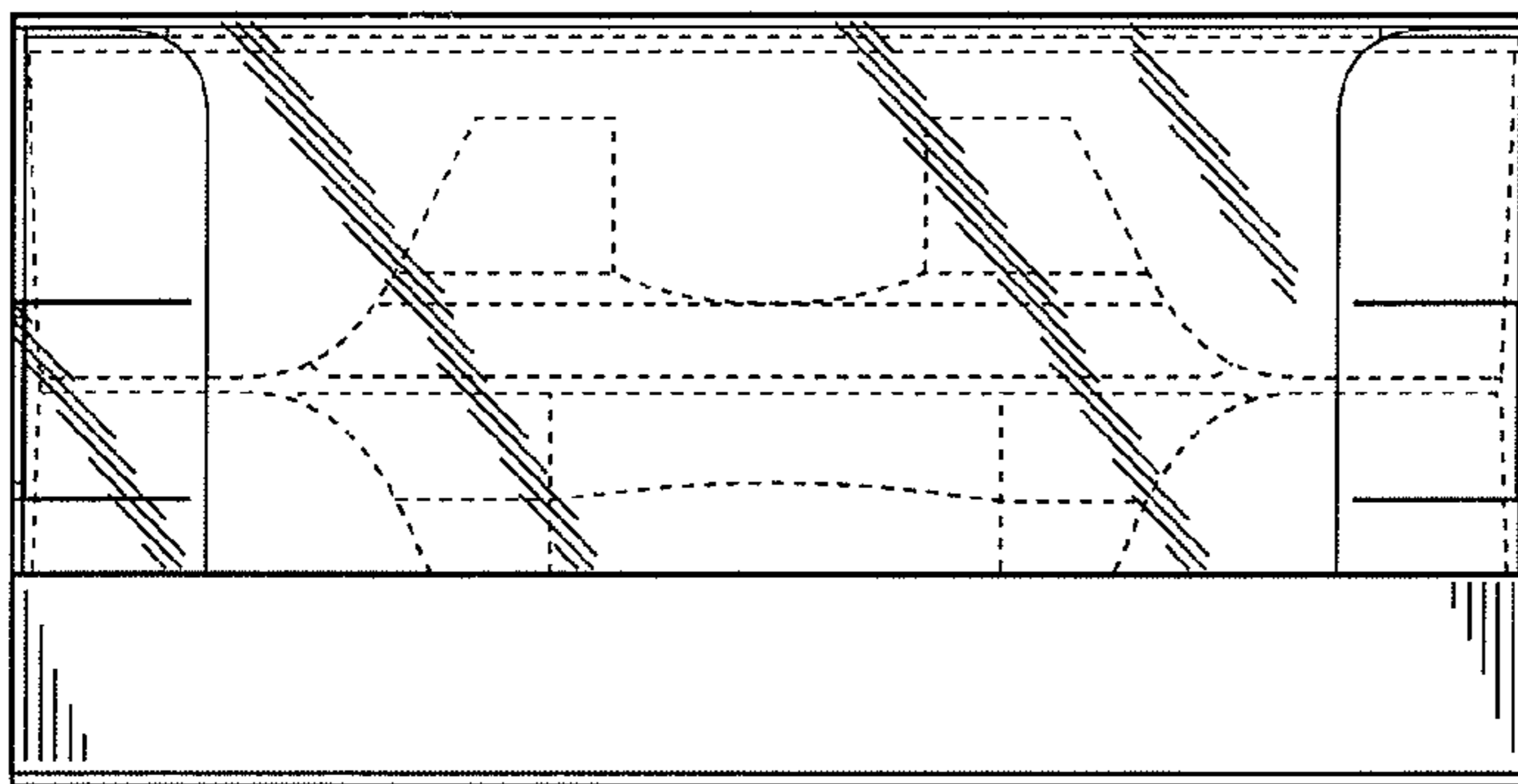
**FIG. 2**



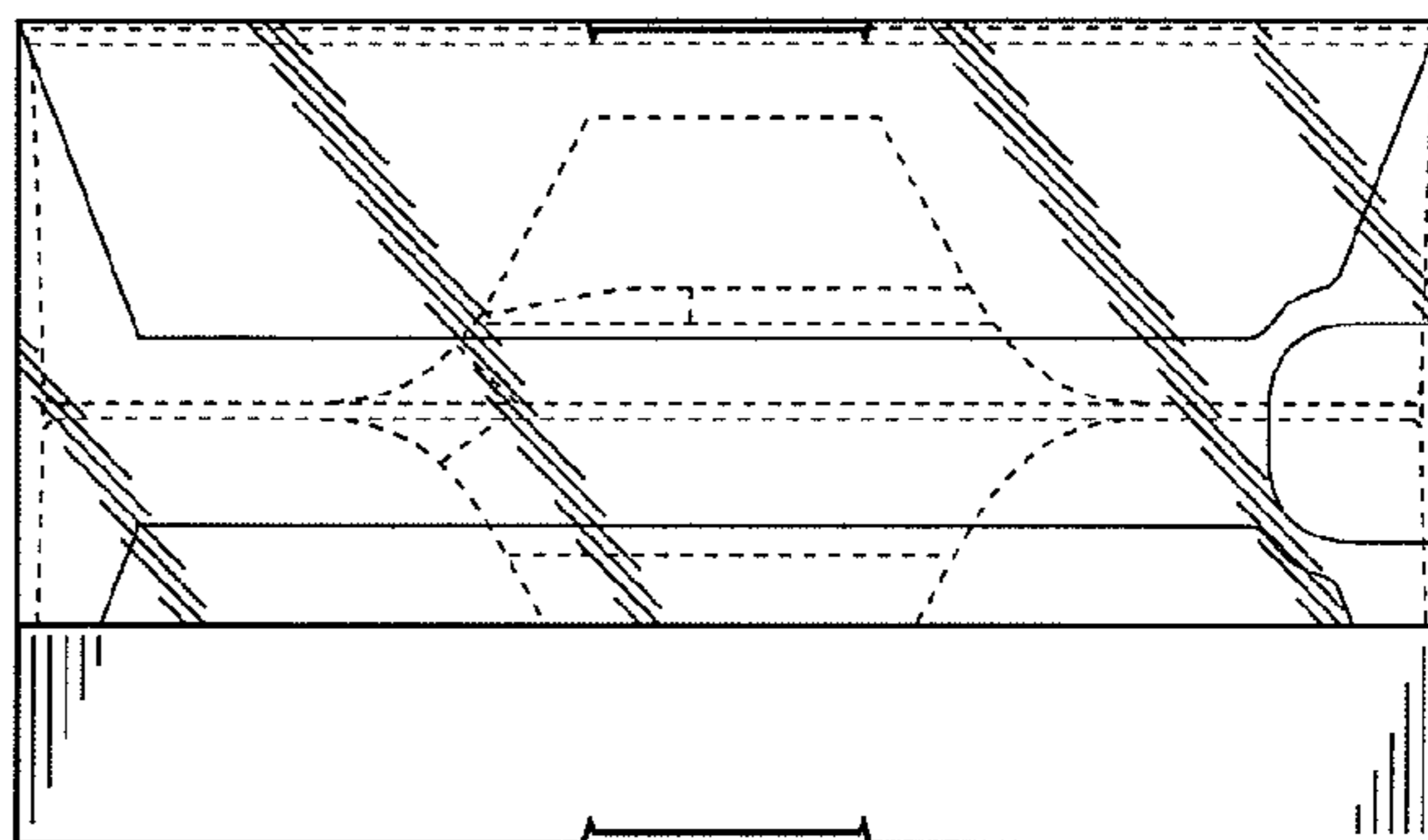
**FIG. 3**



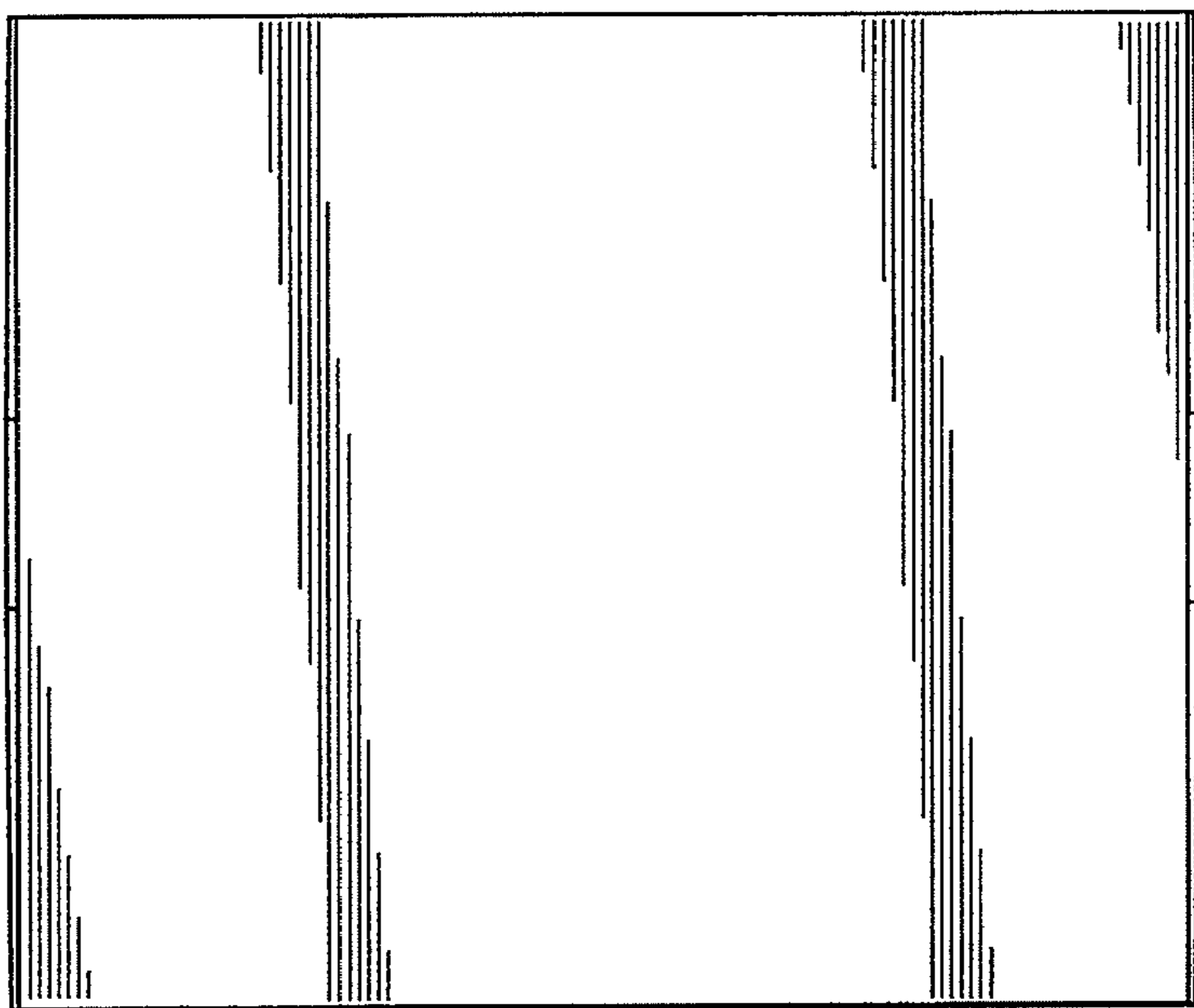
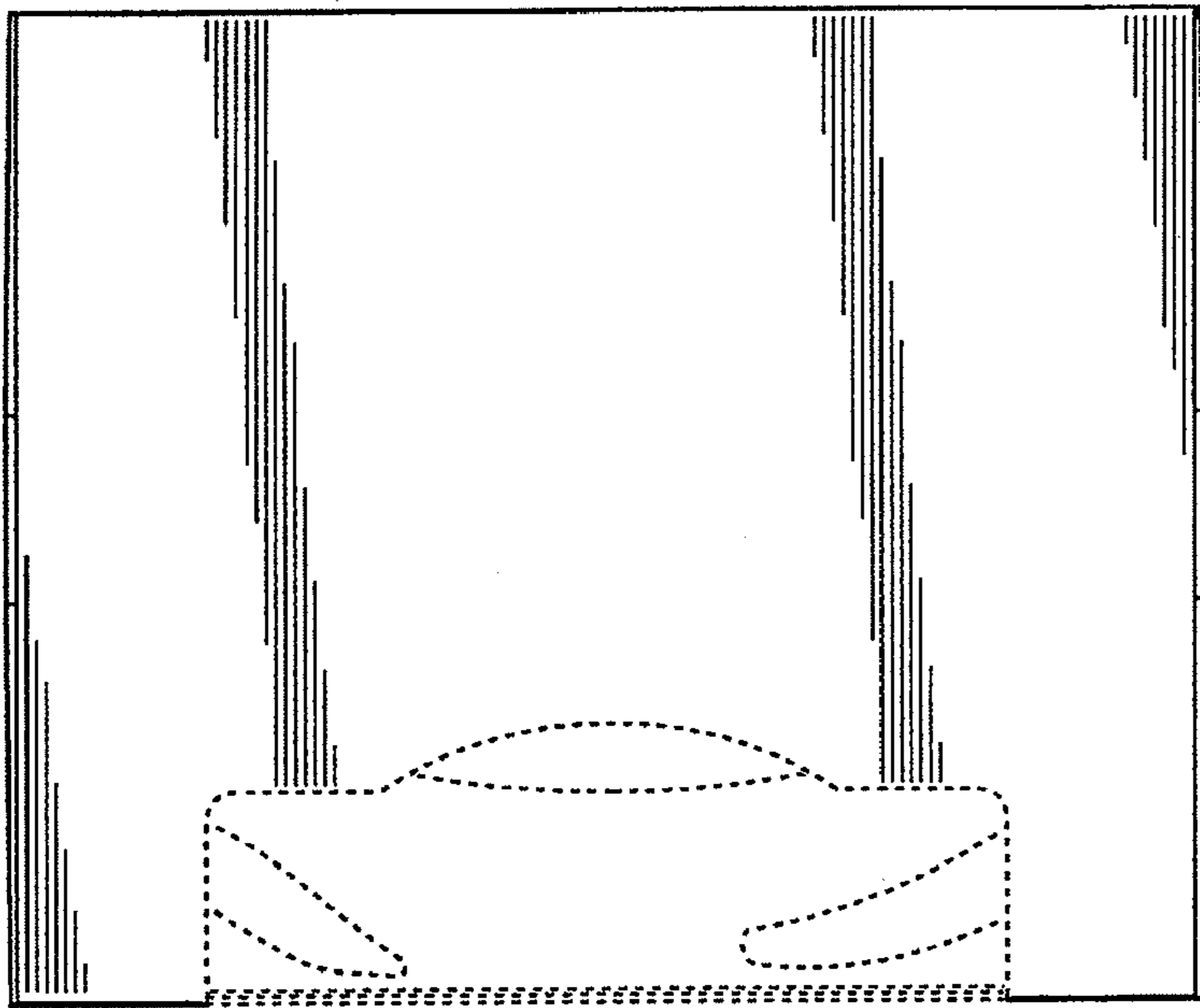
**FIG. 4**



**FIG. 5**



**FIG. 6**



**FIG. 7**